



US00D867799S

(12) **United States Design Patent**  
**Donati**

(10) **Patent No.:** **US D867,799 S**

(45) **Date of Patent:** **\*\* Nov. 26, 2019**

(54) **CHAIR PART**

(71) Applicant: **Donati S.p.A.**, Rodengo-Saiano (IT)

(72) Inventor: **Armando Donati**, Rodengo-Saiano (IT)

(73) Assignee: **Donati S.p.A.**, Rodengo-Saiano (IT)

(\*\*) Term: **15 Years**

(21) Appl. No.: **35/504,193**

(22) Filed: **Oct. 13, 2017**

(80) **Hague Agreement Data**

Int. Filing Date: **Oct. 13, 2017**

Int. Reg. No.: **DM/098849**

Int. Reg. Date: **Oct. 13, 2017**

Int. Reg. Pub. Date: **Dec. 22, 2017**

(30) **Foreign Application Priority Data**

Apr. 24, 2017 (WO) ..... DM/096563

(51) **LOC (12) Cl.** ..... **06-01**

(52) **U.S. Cl.**

USPC ..... **D6/716**

(58) **Field of Classification Search**

USPC ..... D6/365-357, 716, 716.1

CPC .... A47C 1/03; A47C 3/00; A47C 3/20; A47C

3/24; A47C 3/30; A47C 3/34; A47C 3/40;

A47C 7/00; A47C 7/002; A47C 7/14;

A47C 7/46

See application file for complete search history.

(56) **References Cited**

**U.S. PATENT DOCUMENTS**

2,501,976 A \* 3/1950 Vitek ..... A47C 3/245

297/344.18

3,952,987 A \* 4/1976 Bevington ..... A47C 3/34

248/408

D306,531 S \* 3/1990 Snodgrass ..... D6/366

4,951,995 A \* 8/1990 Teppo ..... A47C 1/03

297/411.36

D340,589 S \* 10/1993 Chu ..... D6/366

D571,568 S \* 6/2008 Overthun ..... A47C 7/14

D6/366

D610,824 S \* 3/2010 Piretti ..... A47C 1/03

D6/366

D675,456 S \* 2/2013 Sexton ..... A47C 3/245

D6/366

2016/0296025 A1\* 10/2016 Smith ..... A47C 7/14

\* cited by examiner

*Primary Examiner* — Mary Ann Calabrese

(74) *Attorney, Agent, or Firm* — Thomas|Horstemeyer,

LLP

(57) **CLAIM**

The ornamental design for a chair part, as shown and described.

**DESCRIPTION**

1. Chair part

**1.1** is a front perspective view of a chair part, showing my new design;

**1.2** is a rear perspective view;

**1.3** is a front view;

**1.4** is a rear view;

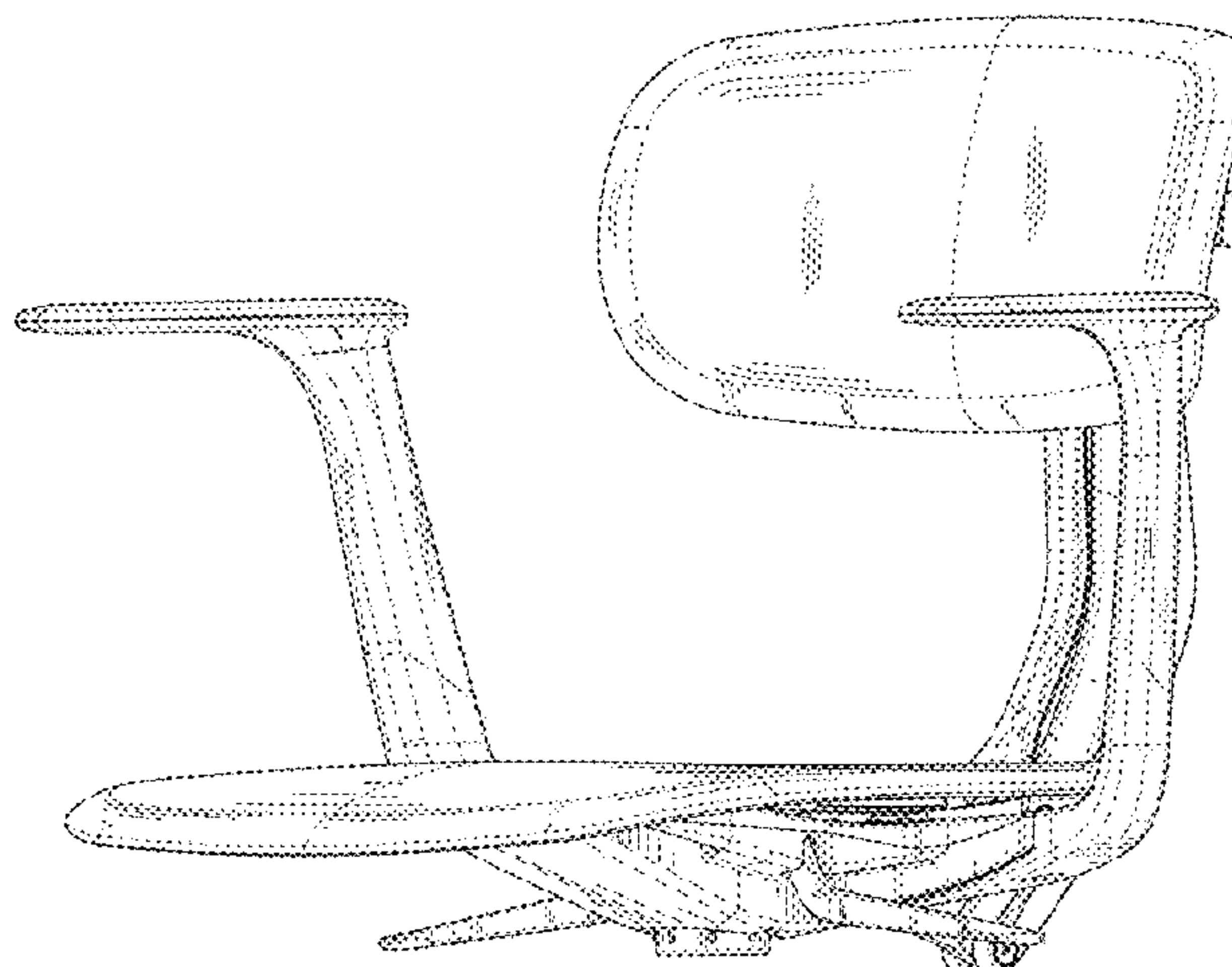
**1.5** is a side view;

**1.6** is side view, from a side opposite that of **1.5**;

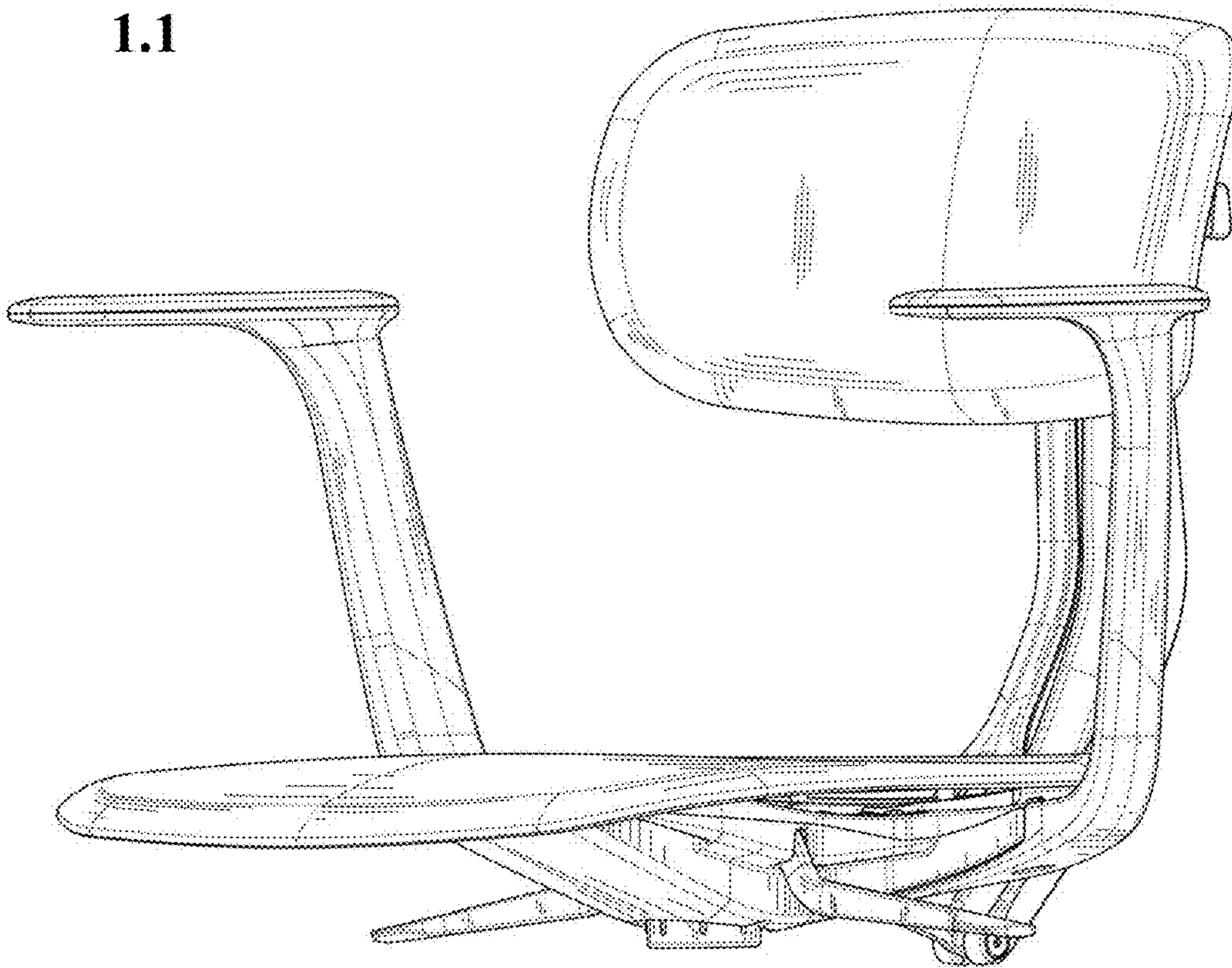
**1.7** is a top view; and

**1.8** is a bottom view.

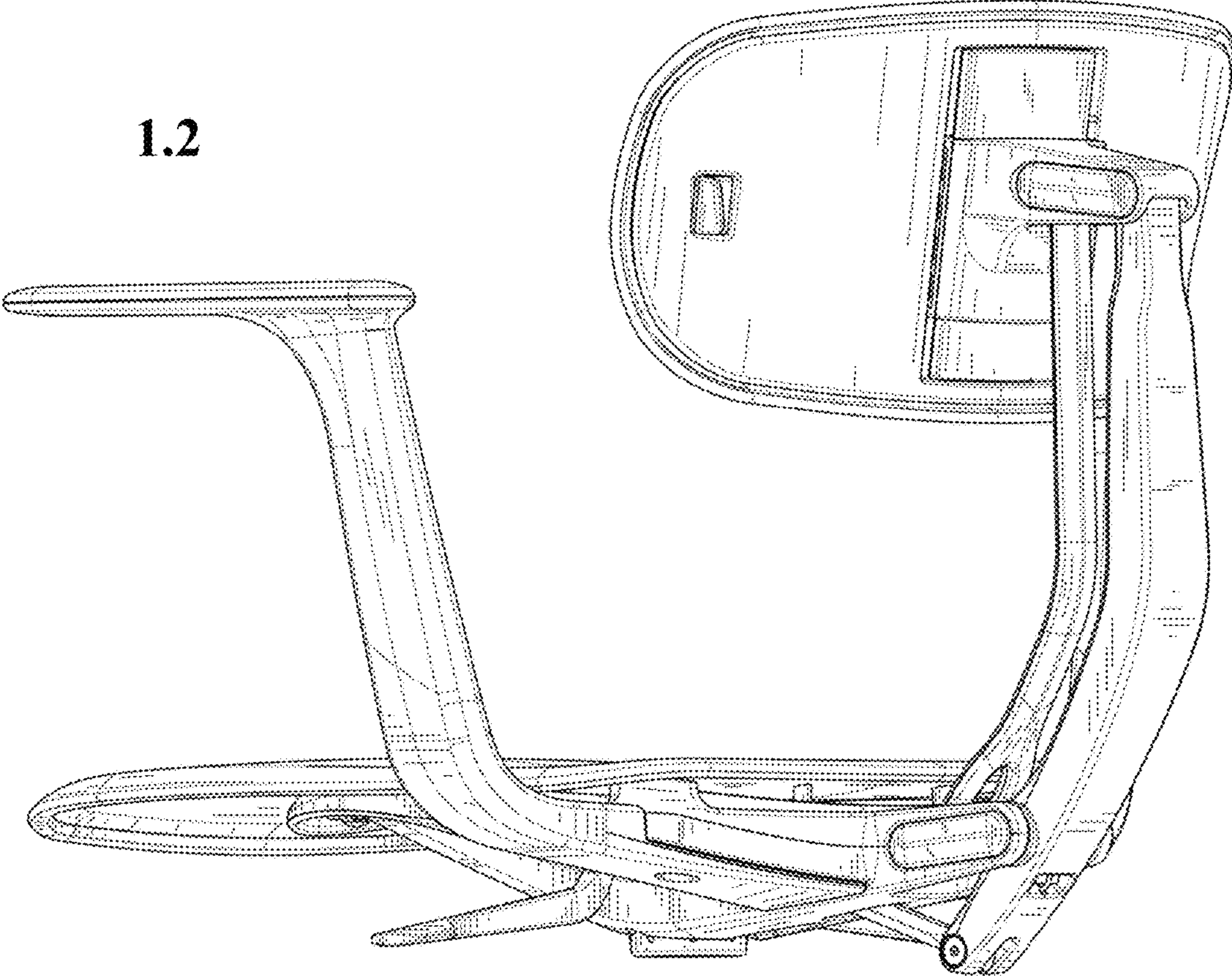
**1 Claim, 8 Drawing Sheets**



1.1

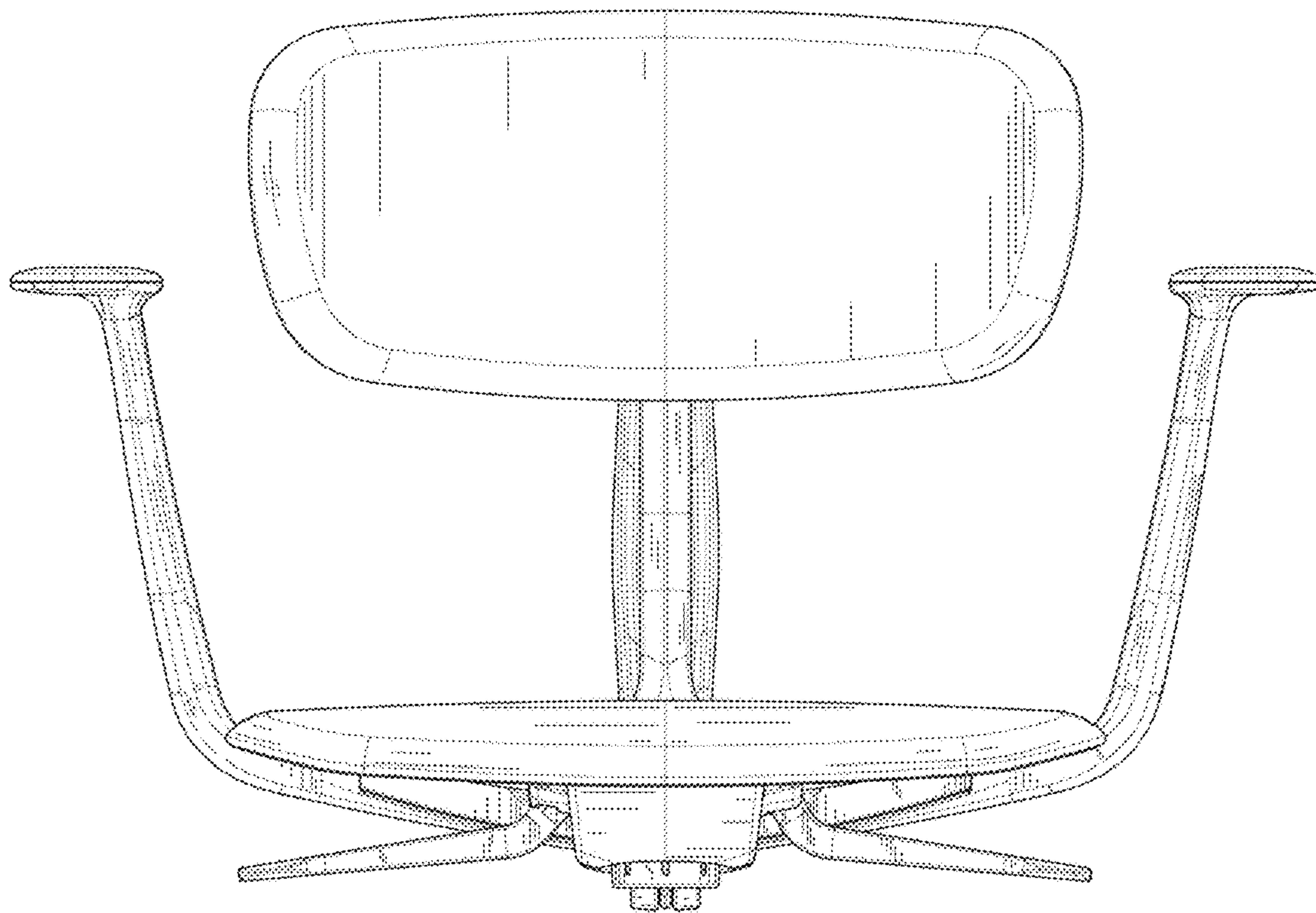


1.2

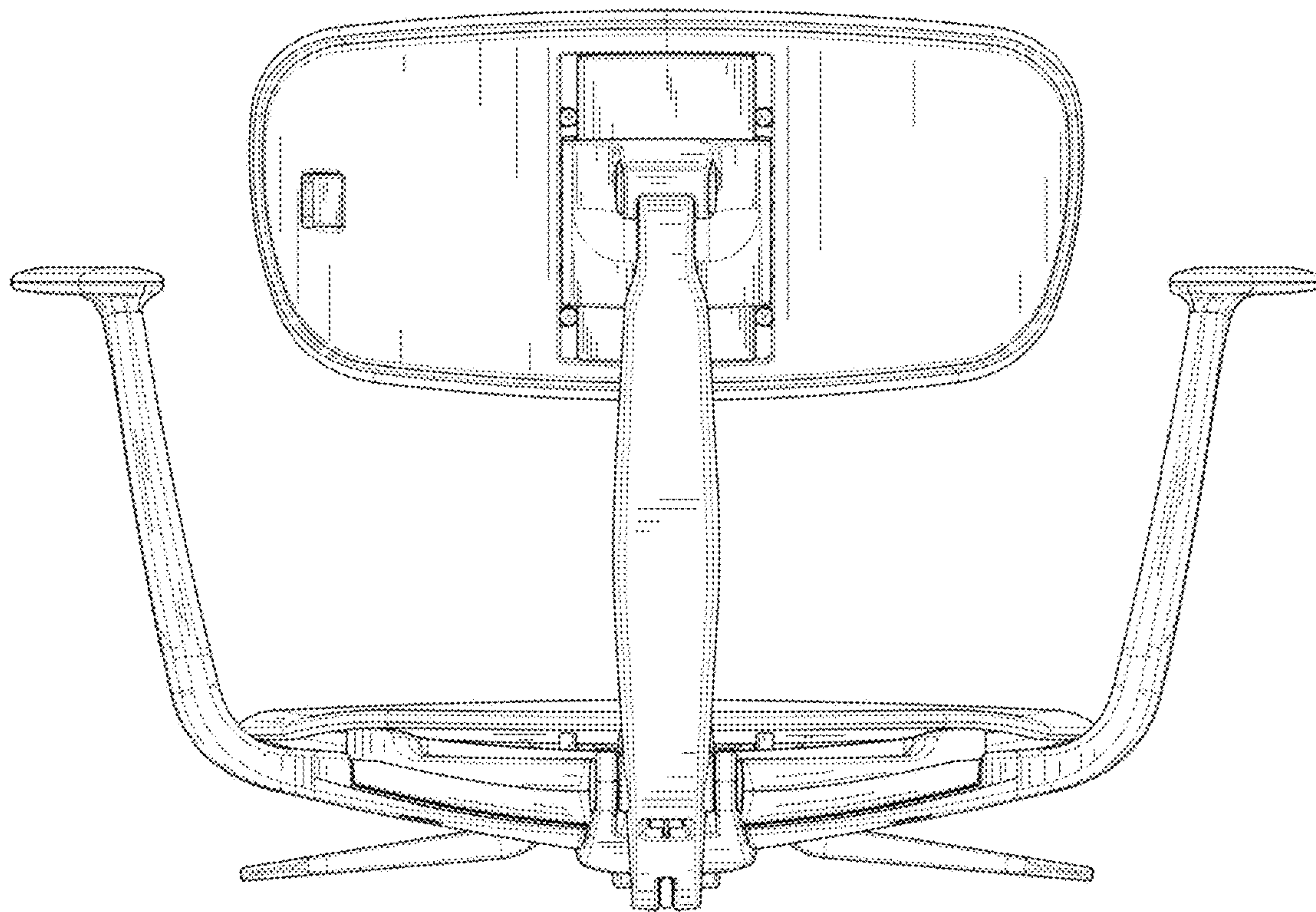




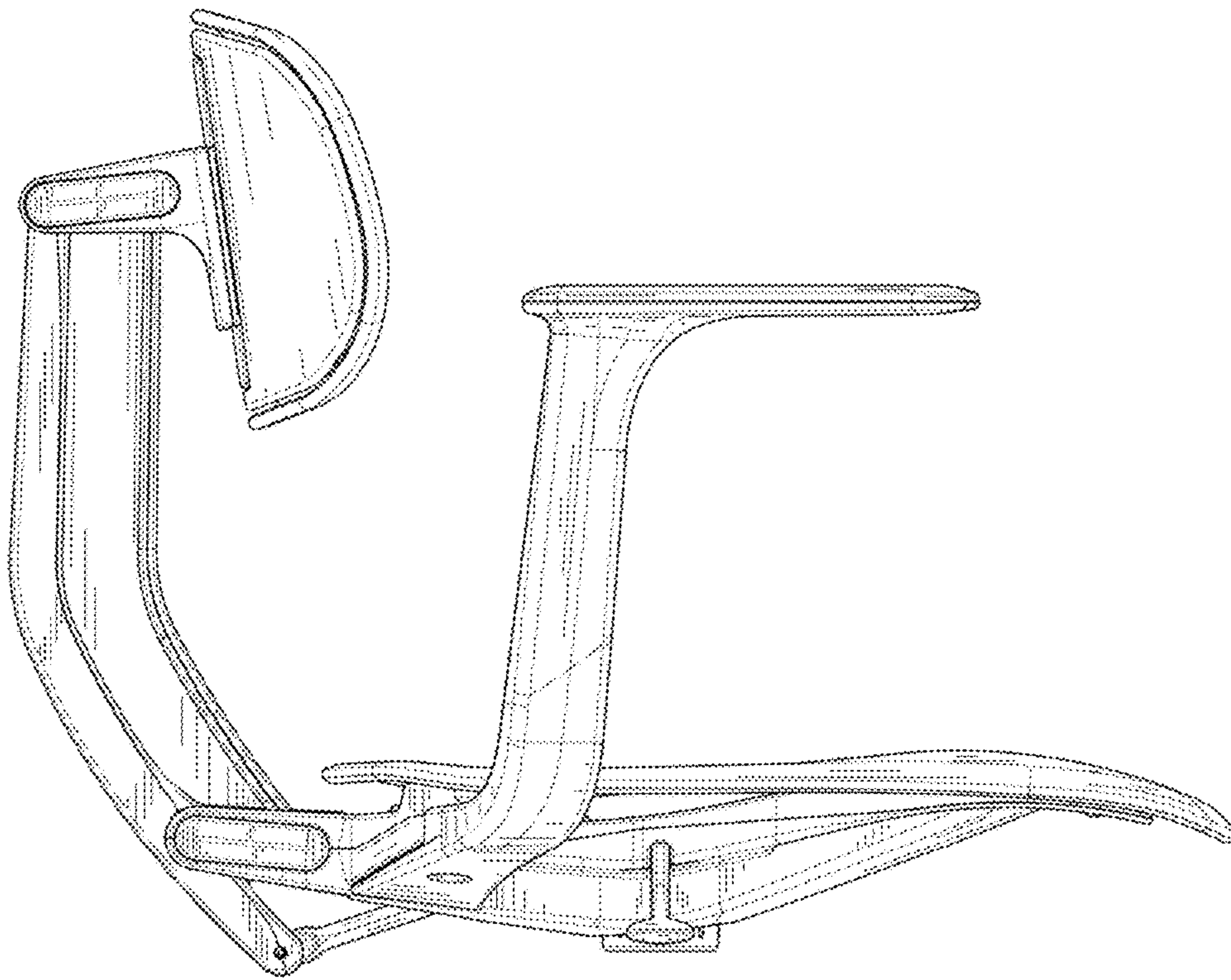
1.3



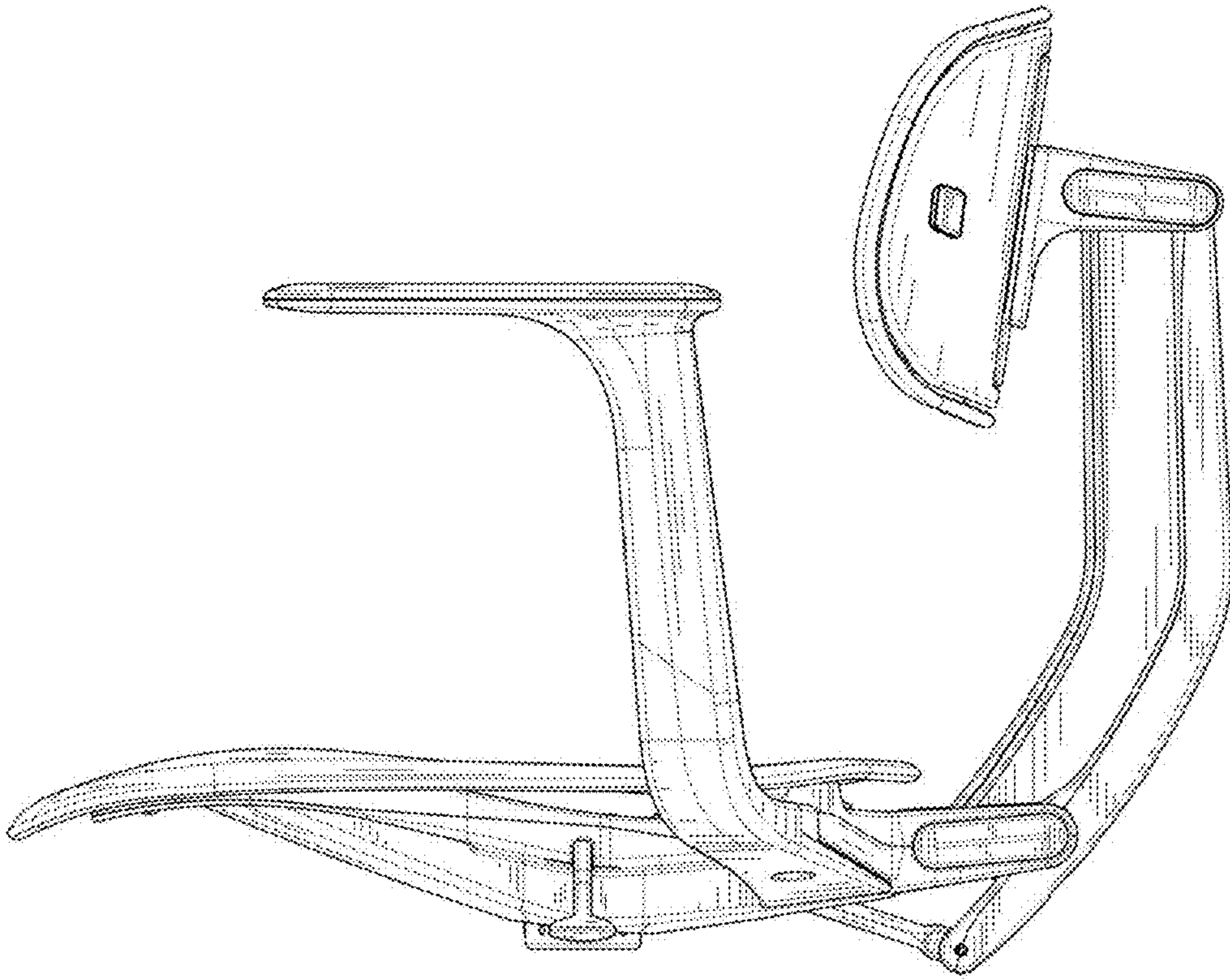
1.4



1.5

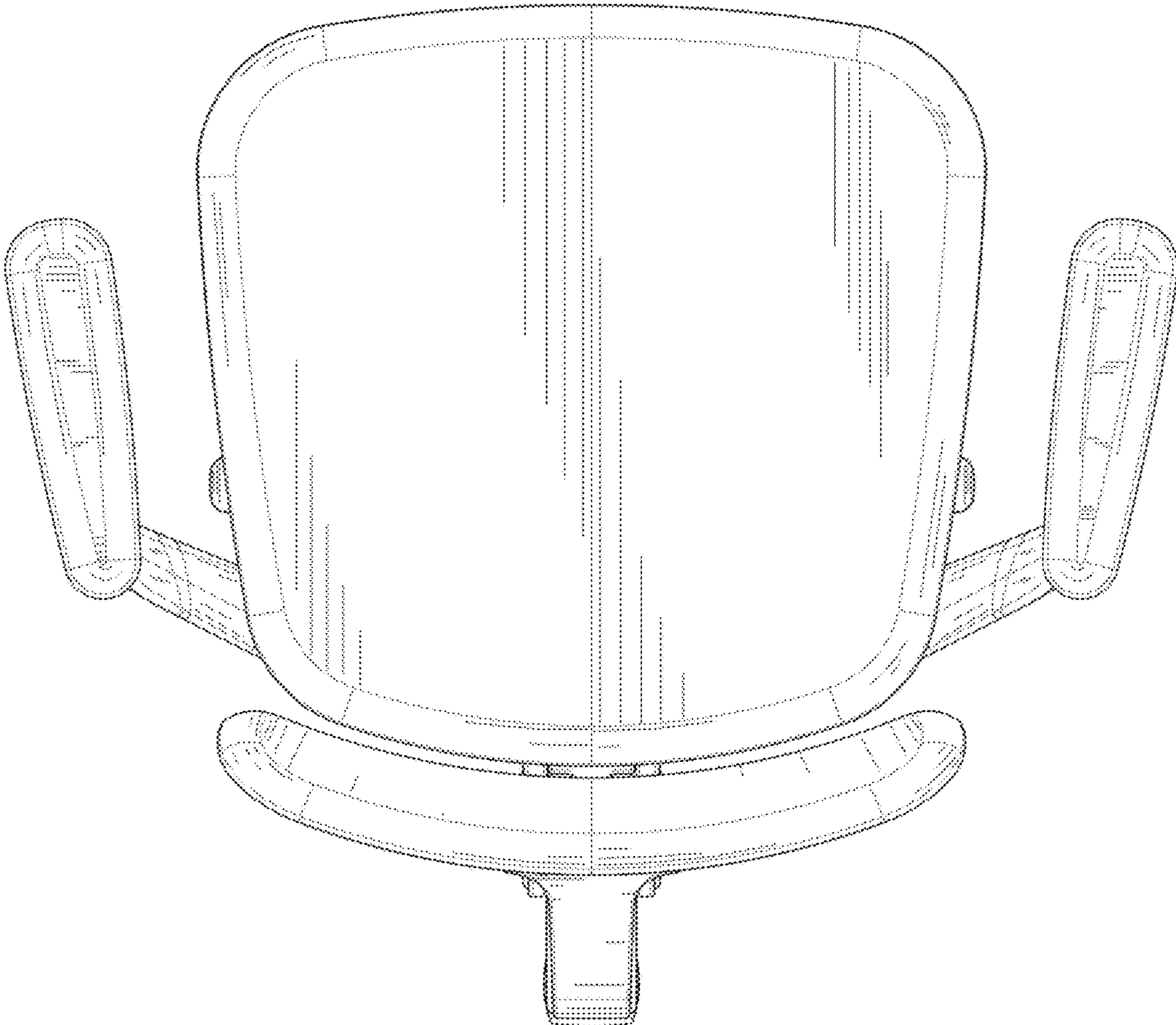


1.6





1.7





1.8

