

US00D867797S

(12) **United States Design Patent** (10) **Patent No.:** **US D867,797 S**
Turner et al. (45) **Date of Patent:** **** Nov. 26, 2019**

(54) **SHELF COMPONENTS**
(71) Applicant: **Retail Space Solutions LLC**,
Milwaukee, WI (US)
(72) Inventors: **Christopher J. Turner**, Pewaukee, WI
(US); **Craig A. Fluegge**, Menomonee
Falls, WI (US)
(73) Assignee: **Retail Space Solutions LLC**,
Milwaukee, WI (US)
(**) Term: **15 Years**

4,310,097 A 1/1982 Merl
4,318,485 A 3/1982 Clement
4,367,818 A 1/1983 Suttles
4,401,221 A 8/1983 Suttles
4,423,816 A 1/1984 Suttles
D290,670 S * 7/1987 Nathan D20/8
D290,790 S * 7/1987 Nathan D6/515
4,705,175 A 11/1987 Howard et al.
4,730,741 A 3/1988 Jackle et al.
4,836,390 A 6/1989 Polvere
D305,586 S * 1/1990 Wombacher D6/512
4,907,707 A 3/1990 Crum
5,012,936 A 5/1991 Crum
5,123,546 A 6/1992 Crum

(Continued)

(21) Appl. No.: **29/678,653**

FOREIGN PATENT DOCUMENTS

(22) Filed: **Jan. 30, 2019**

EP 2767192 8/2014
GB 2290077 11/1997

(Continued)

Related U.S. Application Data

(62) Division of application No. 29/556,710, filed on Mar.
2, 2016, now Pat. No. Des. 843,760.

Primary Examiner — Kelley A Donnelly
(74) *Attorney, Agent, or Firm* — Andrus Intellectual
Property Law, LLP

(51) **LOC (12) Cl.** **06-06**

(52) **U.S. Cl.**
USPC **D6/705.7**

(57) **CLAIM**

(58) **Field of Classification Search**
USPC ... D6/552, 572-574, 675, 675.2, 705, 705.1,
D6/705.2, 705.6, 705.7, 706, 705.5
CPC A47F 5/0018; A47F 5/01; A47F 5/0031;
A47F 5/0081; A47F 5/0093; A47B 96/02
See application file for complete search history.

We claim the ornamental design for shelf components, as
shown and described.

DESCRIPTION

(56) **References Cited**

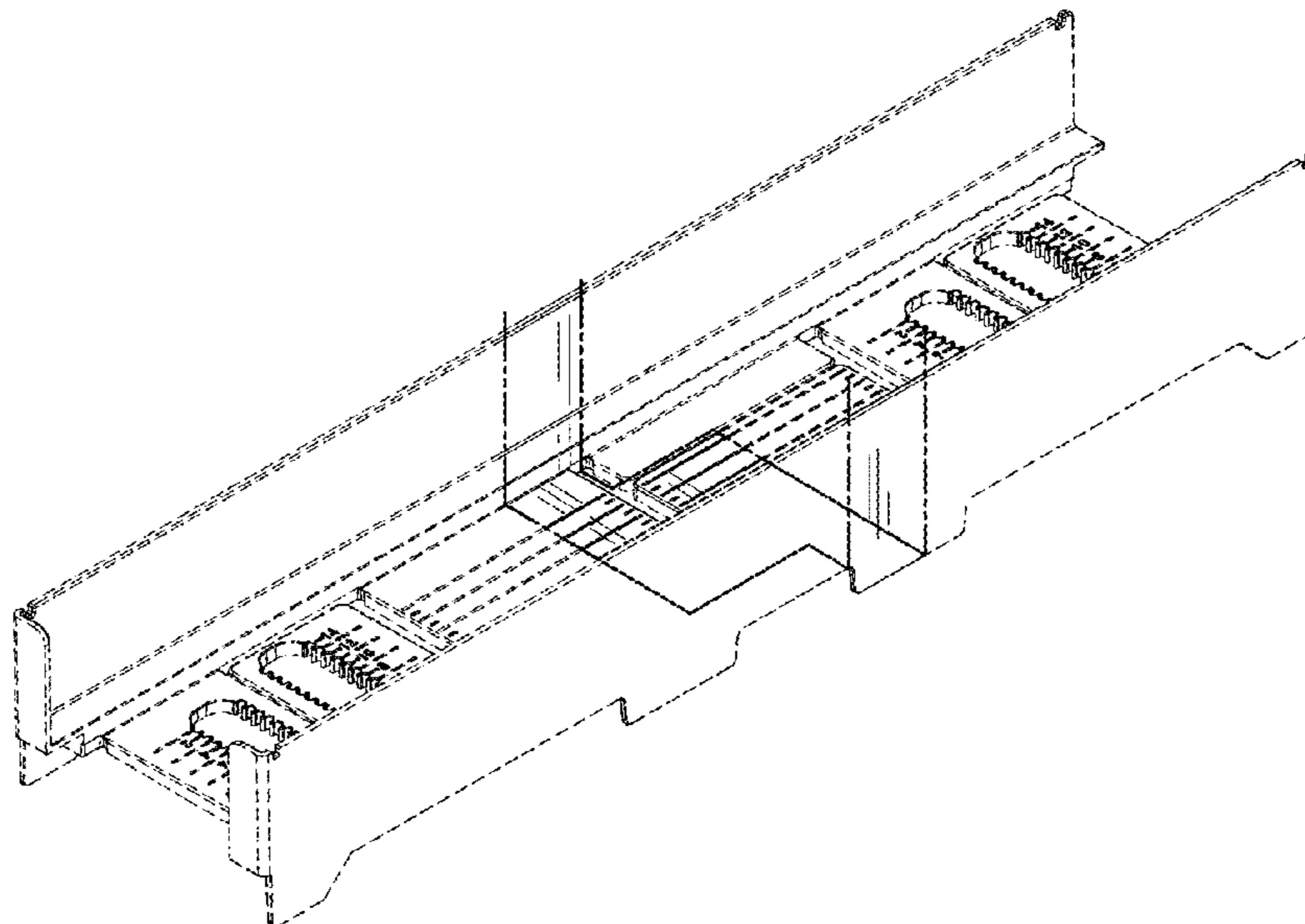
U.S. PATENT DOCUMENTS

1,702,987 A 2/1929 Wilson
2,919,814 A 1/1960 Berkowitz
2,934,212 A 4/1960 Jacobson
3,161,295 A 12/1964 Taylor
3,452,899 A 7/1969 Chesley
4,022,363 A 5/1977 Eliassen
4,130,203 A 12/1978 Russell

FIG. 1 is a perspective view of shelf components showing
our new design; and,
FIG. 2 is a top view thereof.

The dot-dash broken lines are boundary lines, which form no
part of the claimed design. The shelf components shown in
broken lines in the figures depict unclaimed environmental
subject matter and form no part of the claimed design.
Similarly, unshaded portions that appear beyond boundary
lines in the figures form no part of the claimed design.

1 Claim, 2 Drawing Sheets



(56)

References Cited

U.S. PATENT DOCUMENTS

5,366,099 A 11/1994 Schmid
 5,413,229 A 5/1995 Zuberbuhler et al.
 5,450,969 A 9/1995 Johnson et al.
 5,562,217 A * 10/1996 Salveson A47F 1/126
 211/175
 D376,060 S 12/1996 Cohen
 5,586,665 A 12/1996 Brousseau
 5,613,621 A 3/1997 Gervasi
 5,634,564 A 6/1997 Spamer et al.
 D382,428 S 8/1997 Meier et al.
 5,665,304 A 9/1997 Heinen et al.
 5,671,851 A 9/1997 Johnson et al.
 5,695,075 A 12/1997 Flum et al.
 5,706,956 A 1/1998 Headrick et al.
 5,706,958 A 1/1998 Spamer
 D390,052 S 2/1998 Wolff
 5,755,341 A 5/1998 Spamer
 5,779,068 A 7/1998 Whiten et al.
 D401,436 S 11/1998 Jay
 5,855,281 A * 1/1999 Rabas A47F 1/126
 211/175
 5,855,283 A 1/1999 Johnson
 5,878,894 A 3/1999 Robertson
 5,957,327 A 9/1999 Whiten
 5,970,887 A 10/1999 Hardy
 6,059,125 A 5/2000 Parham
 6,142,317 A * 11/2000 Merl A47F 1/125
 211/184
 6,155,438 A 12/2000 Close
 6,193,067 B1 2/2001 McMahan
 6,227,386 B1 5/2001 Close
 6,375,015 B1 4/2002 Wingate
 6,484,891 B2 11/2002 Burke
 D480,231 S * 10/2003 Valiulis D6/706
 6,640,983 B2 11/2003 Miller
 6,719,152 B1 4/2004 Nagel et al.
 6,745,906 B1 6/2004 Nagel
 6,769,552 B1 8/2004 Thalenfeld
 6,772,888 B2 8/2004 Burke
 D496,179 S 9/2004 Sjoberg
 D500,091 S 12/2004 Sjoberg
 6,866,155 B2 3/2005 Nagel
 6,866,156 B2 3/2005 Nagel et al.
 6,886,699 B2 5/2005 Johnson et al.
 6,886,700 B2 5/2005 Nagel
 6,889,854 B2 5/2005 Burke
 6,889,855 B2 5/2005 Nagel
 6,923,330 B1 8/2005 Nagel
 6,964,235 B2 11/2005 Hardy
 7,028,852 B2 4/2006 Johnson et al.
 7,032,761 B2 4/2006 Nagel
 D552,877 S 10/2007 Trulaske
 D565,322 S 4/2008 Mason
 7,451,881 B2 11/2008 Hardy et al.
 7,506,769 B2 3/2009 Howerton et al.
 7,621,409 B2 11/2009 Hardy et al.
 7,690,519 B2 4/2010 Kahl et al.
 7,703,614 B2 4/2010 Schneider et al.
 7,712,851 B2 * 5/2010 Huang A47B 88/493
 312/333
 7,815,267 B1 * 10/2010 Frousiakis A47B 88/467
 312/319.1
 7,823,734 B2 11/2010 Hardy
 7,854,333 B2 12/2010 Kottke et al.
 7,854,334 B2 12/2010 Nagel et al.
 7,866,772 B1 1/2011 Chen
 7,967,399 B1 6/2011 Baiza et al.
 D649,681 S 11/2011 Trzesniowski
 8,047,385 B2 11/2011 Hardy
 8,096,427 B2 1/2012 Hardy
 8,113,360 B2 2/2012 Olson
 8,113,601 B2 2/2012 Hardy

8,136,682 B2 3/2012 Hardy
 8,186,520 B2 5/2012 Schneider et al.
 8,210,363 B2 7/2012 Hardy
 8,210,367 B2 7/2012 Nagel et al.
 8,235,222 B2 8/2012 Hardy
 8,235,226 B2 8/2012 Crawbuck et al.
 8,235,227 B2 8/2012 Hardy
 8,267,261 B2 9/2012 Vanderhoek et al.
 D668,945 S * 10/2012 Fernandez D8/377
 8,302,784 B2 11/2012 Nagel et al.
 8,312,999 B2 11/2012 Hardy
 D674,219 S * 1/2013 Kim D6/702
 D677,502 S * 3/2013 Ryan D6/707.22
 8,413,823 B2 4/2013 Hardy
 8,413,826 B2 4/2013 Schneider et al.
 8,443,988 B2 * 5/2013 Niederhuefner A47F 1/125
 211/183
 8,453,850 B2 6/2013 Hardy
 8,468,844 B2 6/2013 Nagel et al.
 8,496,126 B2 7/2013 Mueller et al.
 8,561,818 B2 10/2013 Nagel et al.
 8,627,965 B2 1/2014 Hardy
 8,739,984 B2 6/2014 Hardy
 8,820,545 B2 9/2014 Kologe
 D716,090 S * 10/2014 Schepens D6/705.7
 8,905,246 B2 12/2014 Lynch
 8,997,997 B2 4/2015 Close et al.
 9,038,852 B2 5/2015 Yasaka
 9,055,828 B2 6/2015 Burchell
 9,089,214 B2 7/2015 Kelly et al.
 9,095,229 B2 8/2015 Attree et al.
 D767,311 S 9/2016 Hrovat
 D784,747 S * 4/2017 Jackson D6/706
 9,615,675 B2 4/2017 Camello et al.
 D786,588 S 5/2017 Knapp
 9,706,858 B2 7/2017 Johnson et al.
 D843,760 S 3/2019 Turner et al.
 2003/0217980 A1 11/2003 Johnson et al.
 2004/0084392 A1 5/2004 Richter et al.
 2005/0204966 A1 9/2005 Bienick et al.
 2006/0076301 A1 4/2006 Caterinacci et al.
 2006/0186065 A1 8/2006 Ciesick
 2007/0068885 A1 3/2007 Busto et al.
 2007/0080175 A1 4/2007 Petersen
 2007/0256992 A1 11/2007 Olson
 2008/0035589 A1 2/2008 Rasmussen et al.
 2008/0121146 A1 5/2008 Burns et al.
 2008/0283477 A1 11/2008 Wamsley
 2009/0039040 A1 2/2009 Johnson et al.
 2010/0032392 A1 2/2010 Camello et al.
 2010/0107670 A1 5/2010 Kottke et al.
 2010/0176075 A1 7/2010 Nagel et al.
 2011/0215061 A1 9/2011 Niederhuefner et al.
 2012/0055892 A1 3/2012 Hardy
 2012/0255924 A1 10/2012 Kologe
 2013/0193095 A1 8/2013 Nagel
 2013/0193096 A1 8/2013 Hardy
 2013/0240467 A1 9/2013 Ciesick
 2013/0327730 A1 12/2013 Hardy
 2014/0034592 A1 2/2014 Hardy
 2014/0117818 A1 5/2014 Dipaolo
 2014/0175034 A1 6/2014 Hardy
 2014/0190913 A1 7/2014 Hardy et al.
 2014/0284290 A1 9/2014 Hardy
 2014/0319086 A1 10/2014 Sosso et al.
 2014/0360953 A1 12/2014 Pichel
 2015/0374120 A1 12/2015 Hardy
 2016/0000235 A1 1/2016 Hardy et al.

FOREIGN PATENT DOCUMENTS

GB 2351073 4/2004
 GB 2392667 11/2004

* cited by examiner

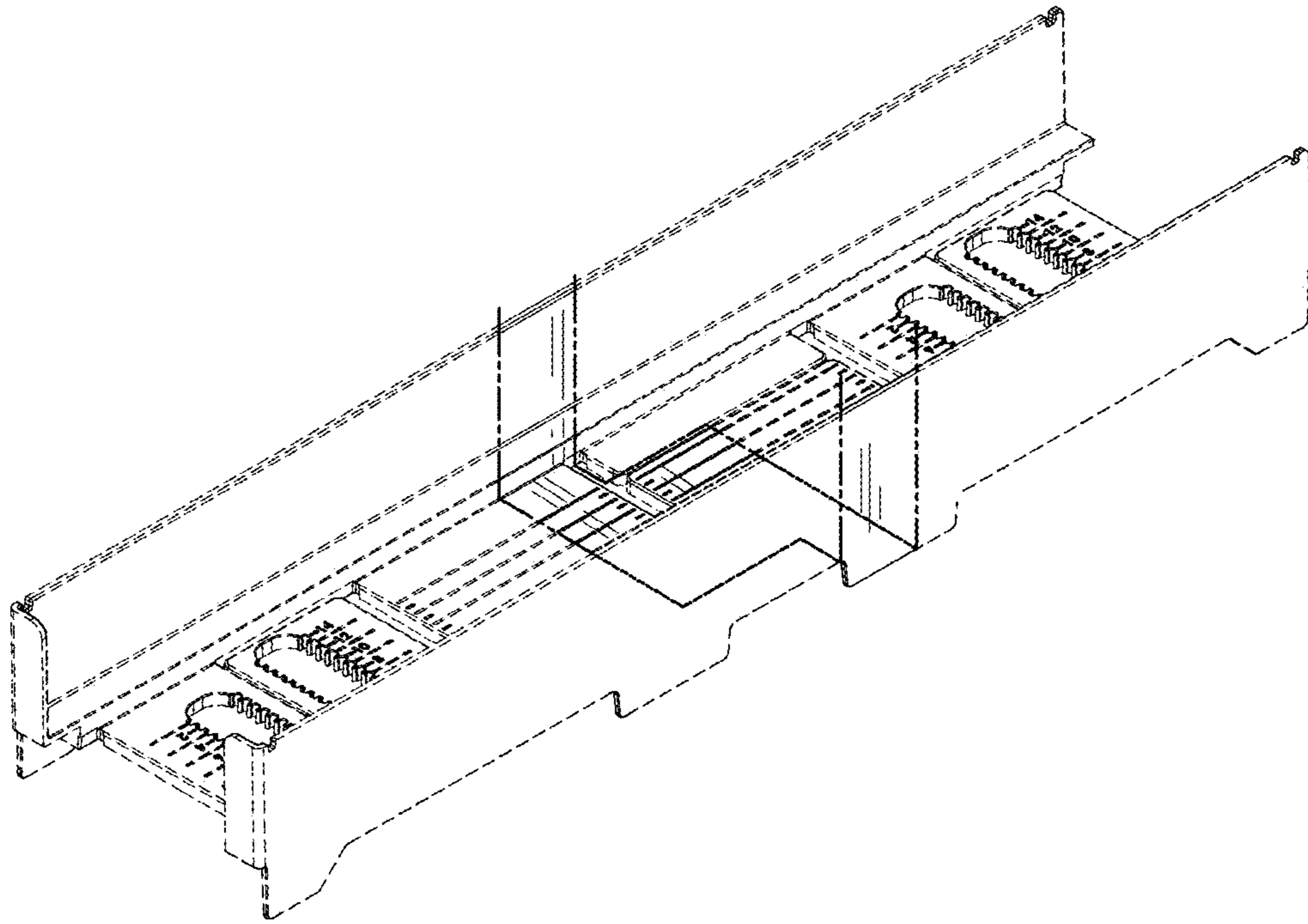


FIG. 1

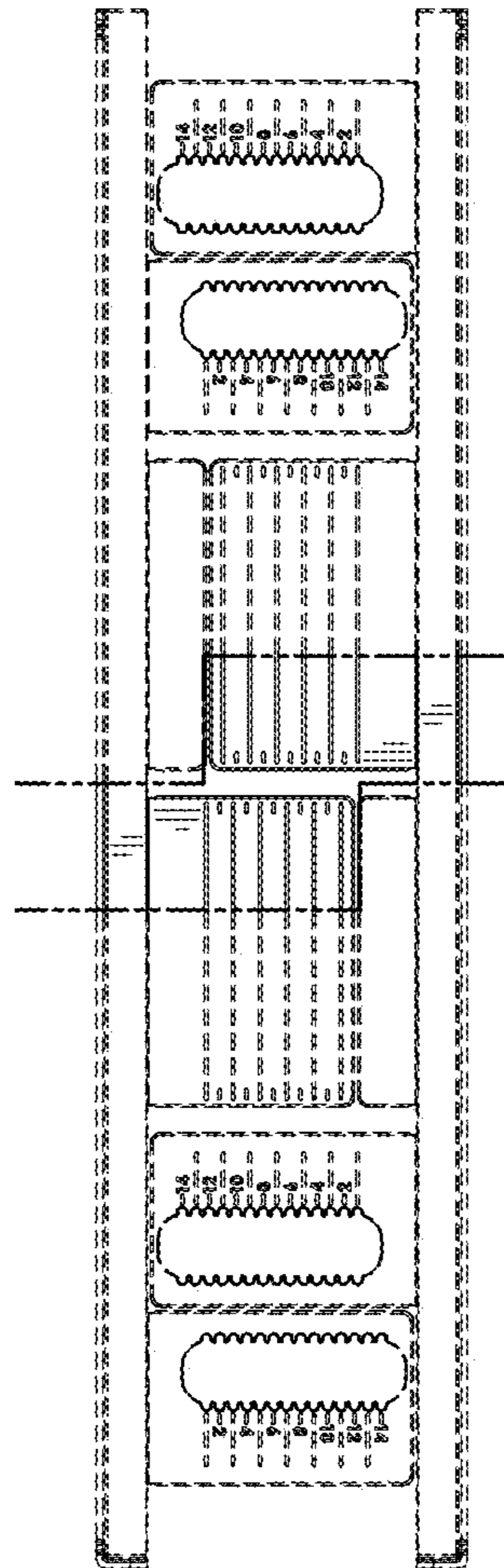


FIG. 2