

US00D867795S

(12) **United States Design Patent** (10) **Patent No.:** **US D867,795 S**  
**Best et al.** (45) **Date of Patent:** **\*\* Nov. 26, 2019**

- (54) **DISPENSING SYSTEM**
- (71) Applicants: **Robert Charles Best**, Cincinnati, OH (US); **Andrew Hong-jae Yim**, Cincinnati, OH (US); **Benjamin V. Savage**, Loveland, OH (US)
- (72) Inventors: **Robert Charles Best**, Cincinnati, OH (US); **Andrew Hong-jae Yim**, Cincinnati, OH (US); **Benjamin V. Savage**, Loveland, OH (US)
- (73) Assignee: **APEX INDUSTRIAL TECHNOLOGIES LLC**, Mason, OH (US)
- (\*\*) Term: **15 Years**
- (21) Appl. No.: **29/647,718**
- (22) Filed: **May 15, 2018**
- (51) **LOC (12) Cl.** ..... **06-06**
- (52) **U.S. Cl.**  
USPC ..... **D6/682.2; D6/512; D7/701; D7/600.1; D7/600.3; D7/708**
- (58) **Field of Classification Search**  
USPC ..... **D7/213, 701-708, 600.3, 600.4; D6/566, D6/678.4, 512, 682.2, 672, 675.2, 675.5, D6/703.5, 703.8**  
CPC .. **A47B 73/006; A47B 47/0066; G06Q 52/12; G07F 17/12**  
See application file for complete search history.

- (56) **References Cited**  
**U.S. PATENT DOCUMENTS**  
2,527,228 A 10/1950 Overman  
4,660,727 A \* 4/1987 Levine ..... A47B 73/006  
211/74

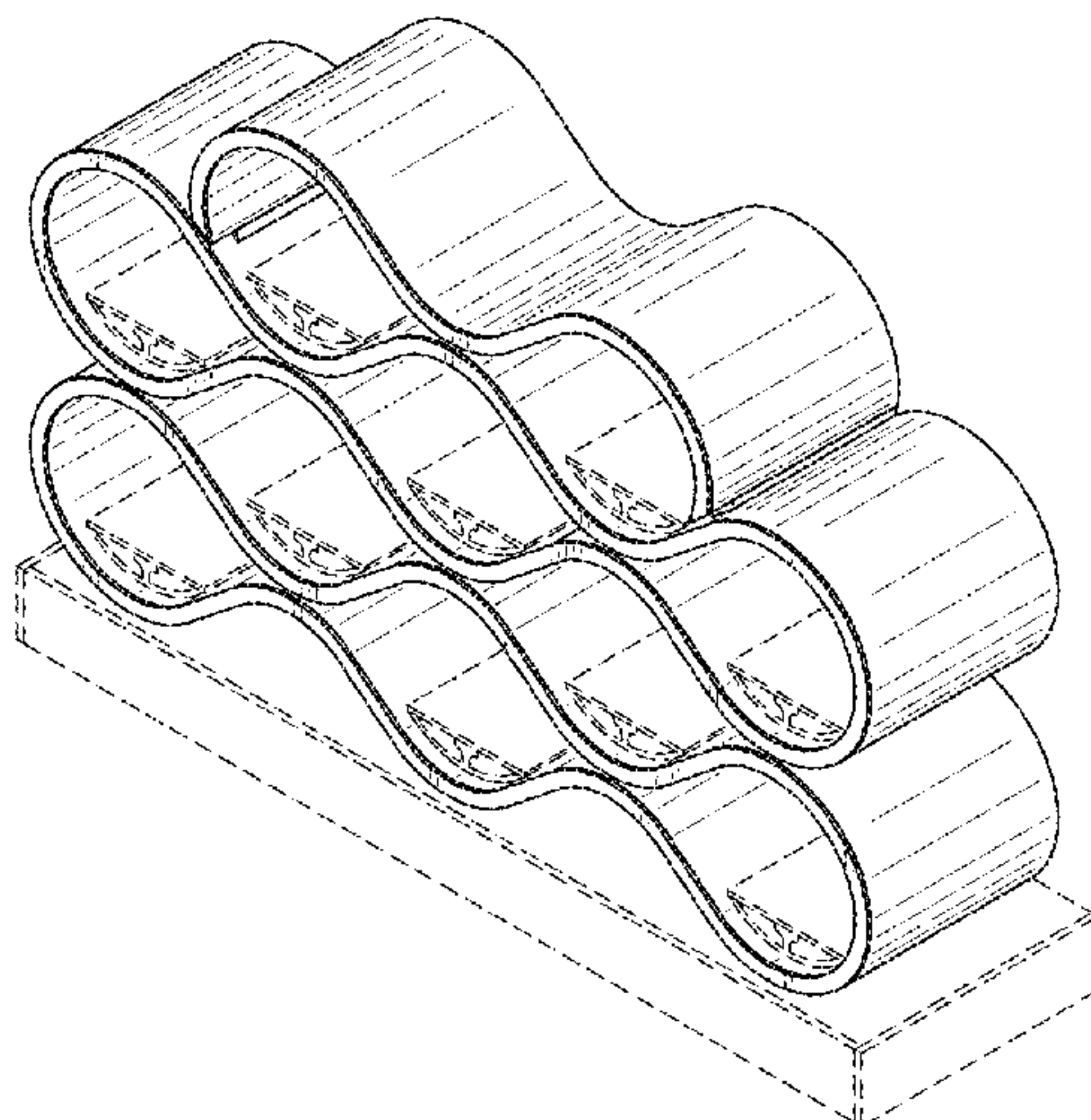
- D289,587 S \* 5/1987 Levine ..... D6/682.2
- 7,287,653 B2 \* 10/2007 Rhodes ..... A47B 47/0066  
211/74
- D569,655 S \* 5/2008 Williams ..... D6/682.2
- 7,434,341 B2 10/2008 Brinkman et al.
- D629,258 S \* 12/2010 Tiemann ..... D6/566
- D682,595 S \* 5/2013 Altier ..... D6/682.2
- D780,540 S \* 3/2017 Koziol ..... D7/701
- D816,437 S \* 5/2018 Kendall ..... D7/701
- 2003/0150830 A1 8/2003 Crown et al.
- 2003/0205544 A1 \* 11/2003 Rhodes ..... A47B 47/0066  
211/74
- 2008/0237159 A1 10/2008 Bray et al.
- 2016/0200517 A1 7/2016 Savage et al.

\* cited by examiner  
*Primary Examiner* — Marianne N Pandozzi  
(74) *Attorney, Agent, or Firm* — Thompson Hine LLP

(57) **CLAIM**  
The ornamental design for dispensing system, as shown and described.

**DESCRIPTION**  
FIG. 1 is a front perspective view of a dispensing system showing our new design;  
FIG. 2 is an environmental front perspective view of the dispensing system of FIG. 1, shown in conjunction with a screen;  
FIG. 3 is a front view of the dispensing system of FIG. 2;  
FIG. 4 is a rear view of the dispensing system of FIG. 2;  
FIG. 5 is a right side view of the dispensing system of FIG. 2; and,  
FIG. 6 is a top plan view of the dispensing system of FIG. 2.  
In the drawings, the broken lines depict environmental subject matter only and form no part of the claimed design.

**1 Claim, 6 Drawing Sheets**



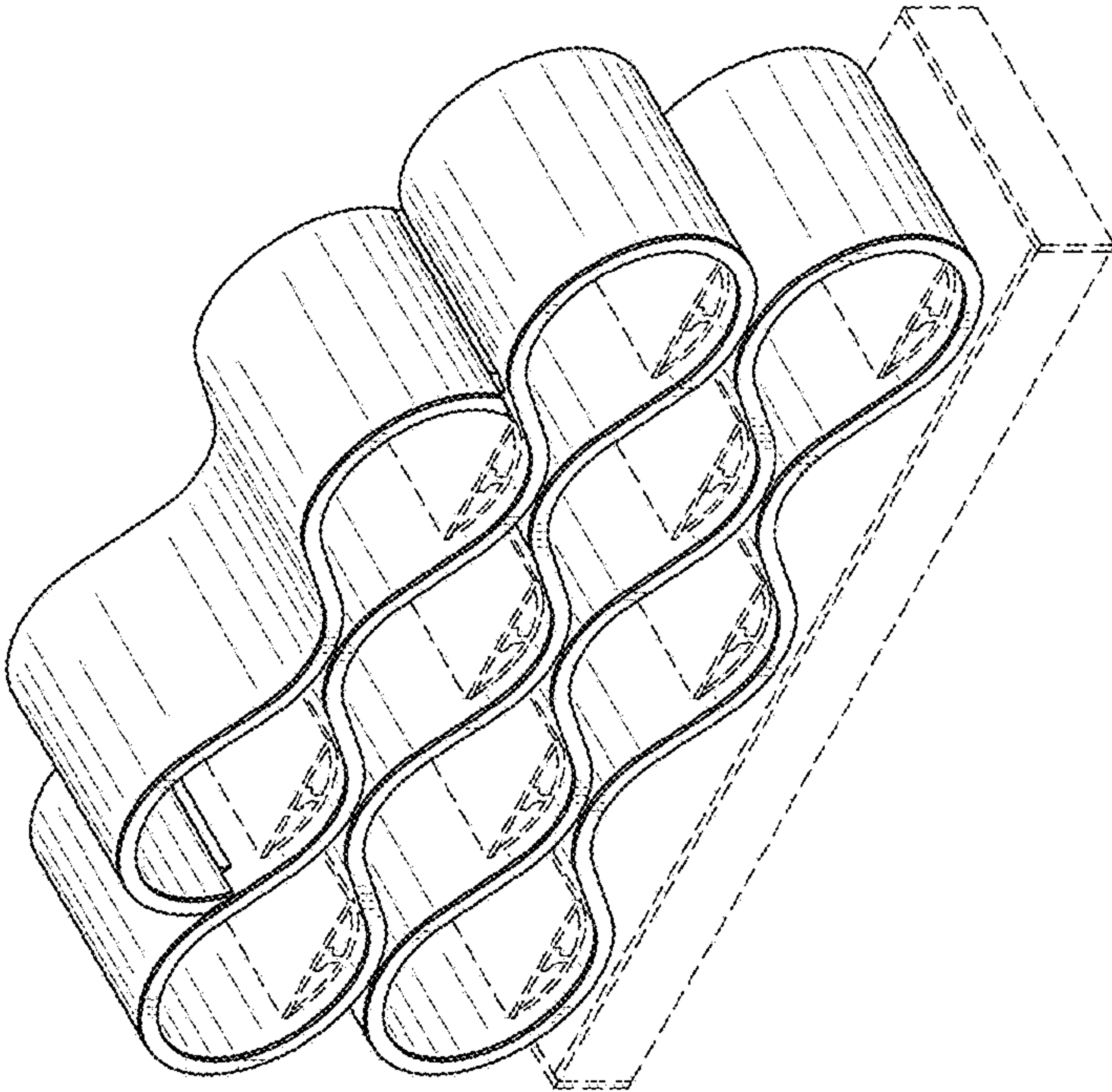


FIG. 1

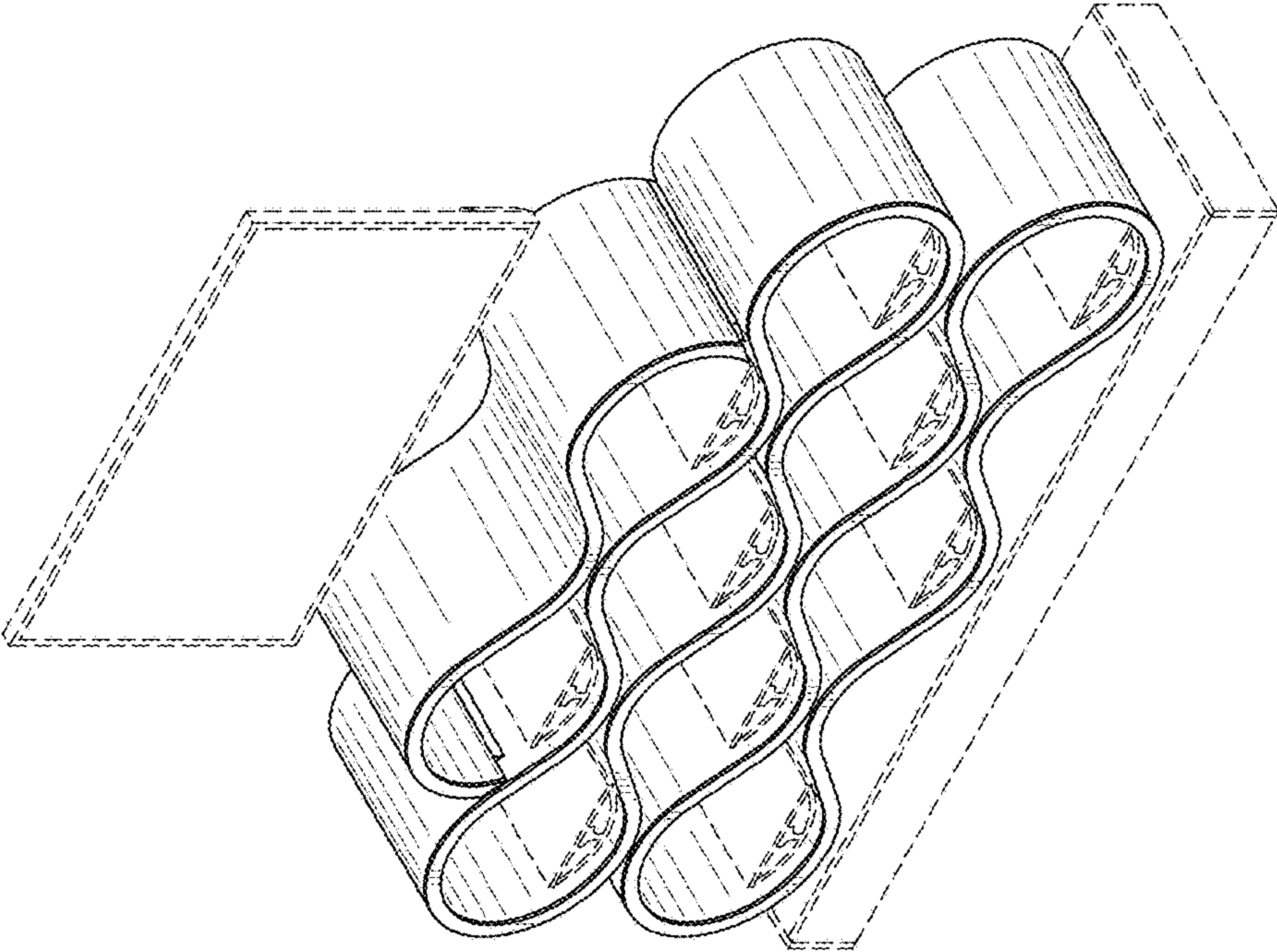


FIG. 2

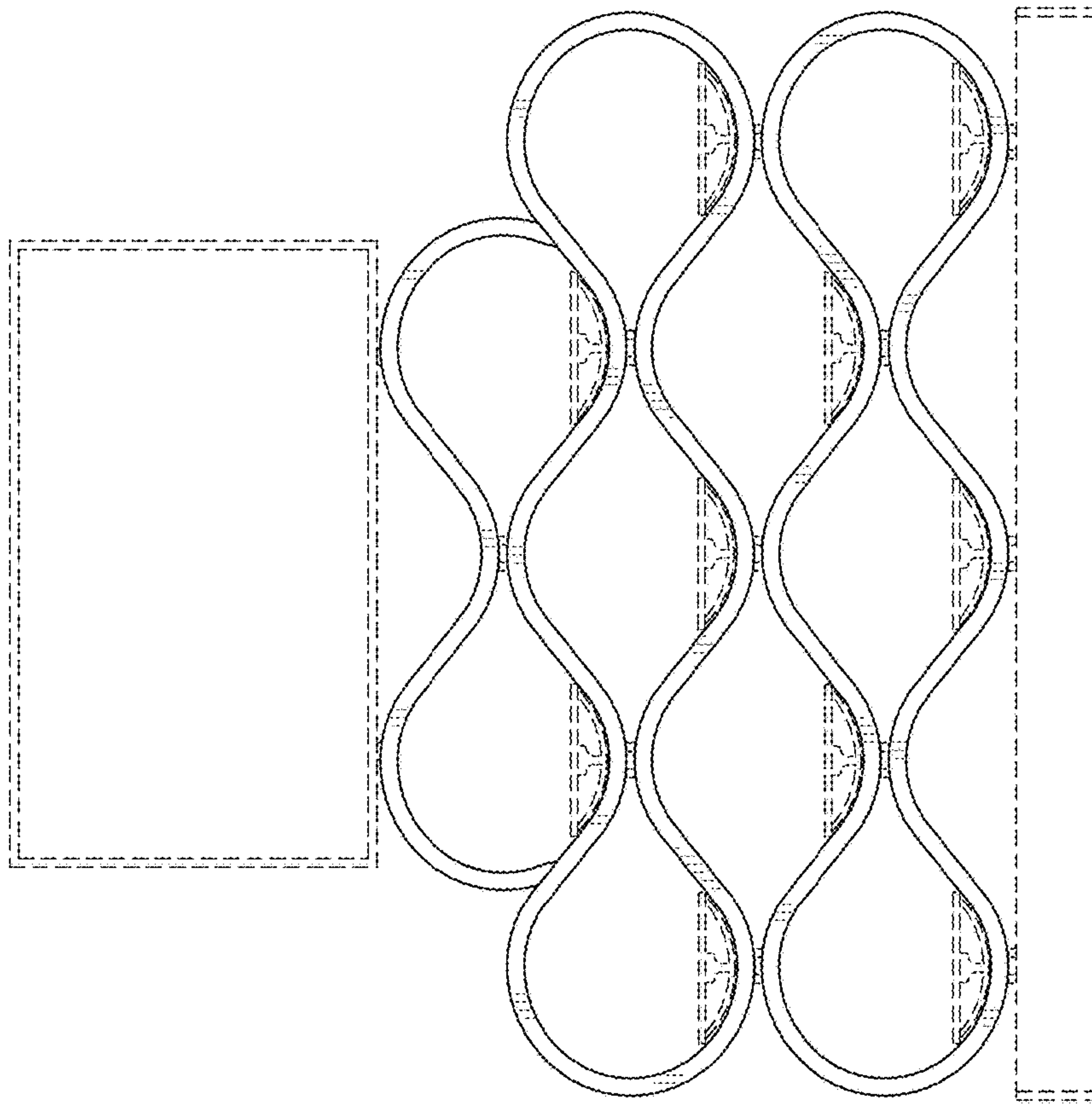


FIG. 3



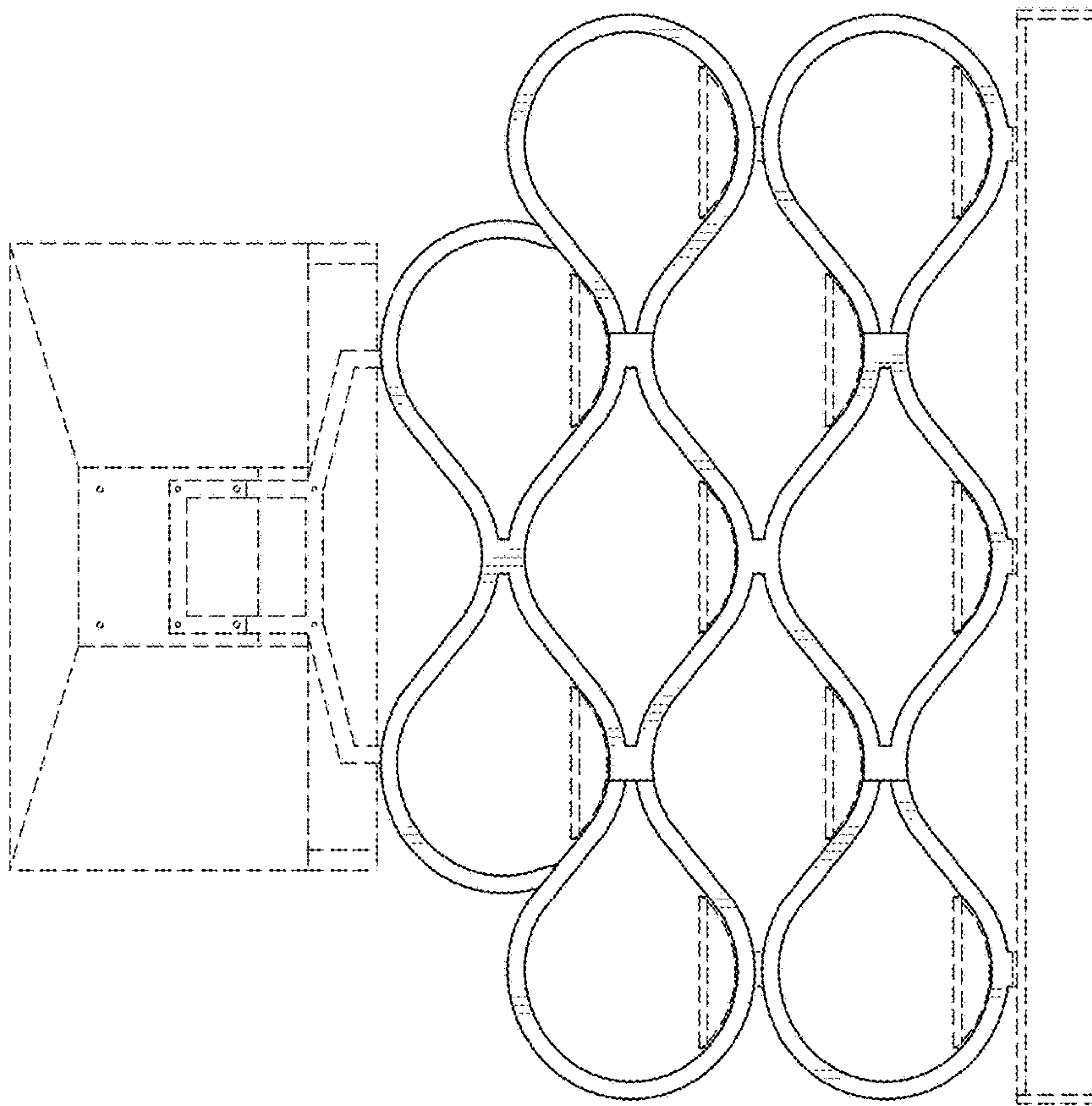


FIG. 4

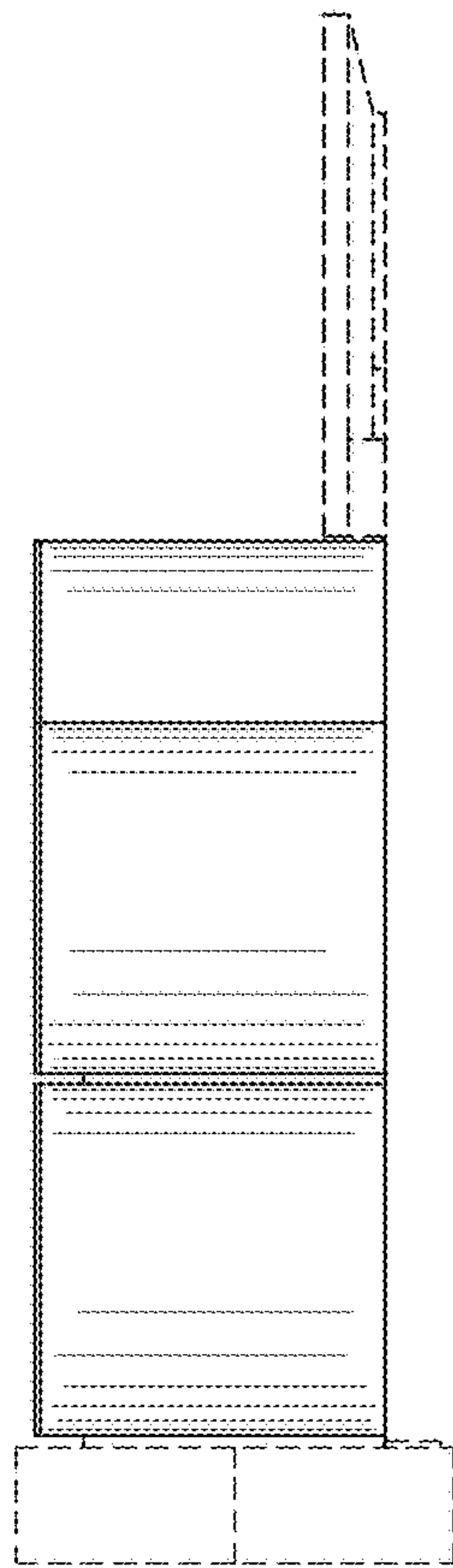


FIG. 5

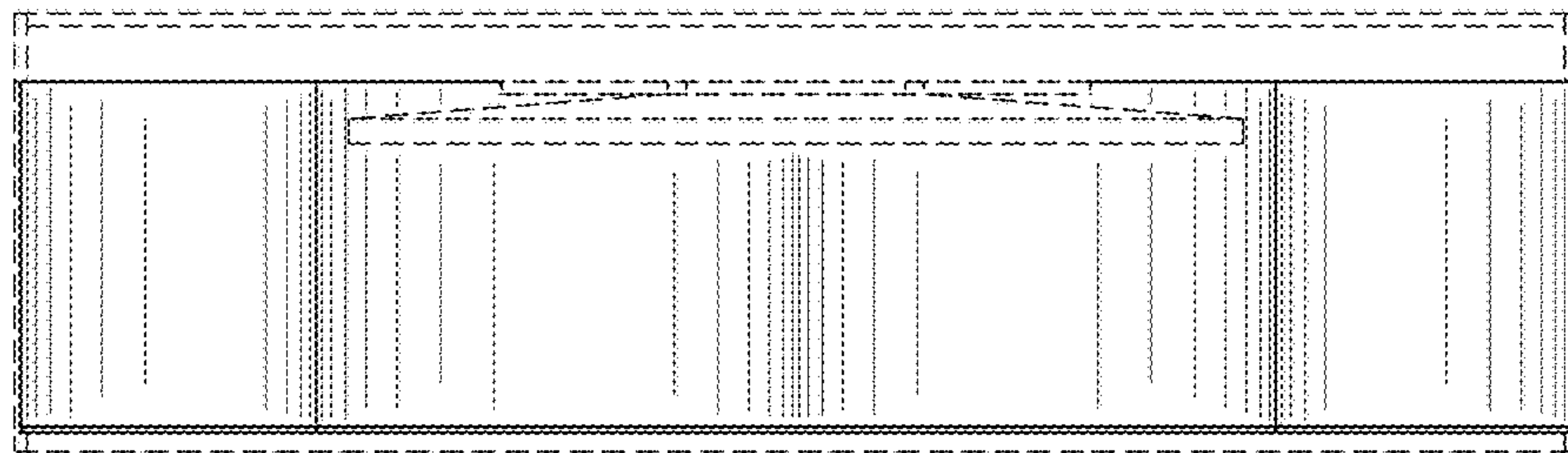


FIG. 6