

US00D867794S

(12) **United States Design Patent** (10) **Patent No.:** **US D867,794 S**  
**Nakamura** (45) **Date of Patent:** **\*\* Nov. 26, 2019**

(54) **HOLDER FOR VACUUM CLEANER**

(71) Applicant: **NAKAMURA CO. LTD.**, Tokyo (JP)

(72) Inventor: **Akira Nakamura**, Tokyo (JP)

(\*\*) Term: **15 Years**

(21) Appl. No.: **35/506,131**

(22) Filed: **May 24, 2018**

(80) **Hague Agreement Data**

Int. Filing Date: **May 24, 2018**

Int. Reg. No.: **DM/101450**

Int. Reg. Date: **May 24, 2018**

Int. Reg. Pub. Date: **Nov. 30, 2018**

(51) **LOC (12) Cl.** ..... **20-02**

(52) **U.S. Cl.**

USPC ..... **D6/675; D32/31**

(58) **Field of Classification Search**

USPC ..... **D6/310, 332, 552, 553, 554, 672, 675, D6/680.2-682.2, 708, 708.17; D20/10, D20/41; D32/31, 32**

CPC ..... **A47G 29/00; A47L 11/40; E04H 12/22; F16M 11/2035**

See application file for complete search history.

(56) **References Cited**

**U.S. PATENT DOCUMENTS**

- D279,201 S \* 6/1985 Shuman ..... D20/10
- D581,700 S \* 12/2008 DePace ..... D6/675
- D585,667 S \* 2/2009 Levy ..... D6/682.2
- D688,072 S \* 8/2013 Hennessey ..... D6/682
- D717,085 S \* 11/2014 Trinh ..... D6/675
- D727,995 S \* 4/2015 Vilcovsky ..... D16/221
- D730,662 S \* 6/2015 Trinh ..... D6/672

- D742,455 S \* 11/2015 Denby ..... D20/19
- D790,457 S \* 6/2017 Vargas ..... D13/108
- D828,058 S \* 9/2018 Khanicheh ..... D6/681
- D837,144 S \* 1/2019 Nam ..... D13/107
- D839,352 S \* 1/2019 Lim ..... D20/39
- D856,426 S \* 8/2019 Lim ..... D20/10

**OTHER PUBLICATIONS**

HAB-01 (available online) Retrieved from the internet Sep. 3, 2019 from URL: <https://www.lumi.cn/en/lumi-home/other-mounts-stands/mounts-and-brackets/hab-01>.\*

Ezymount Floor Stand (available online) Retrieved from the internet Sep. 3, 2019 from URL: <https://www.thegoodguys.com.au/ezymount-floor-stand-for-dyson-cordless-vacuum-edsv1b>.\*

Vacuum Stand (available online) Retrieved from the internet Sep. 3, 2019 from URL: [www.nakamura-jpn.co.jp/en.html](http://www.nakamura-jpn.co.jp/en.html).\*

\* cited by examiner

*Primary Examiner* — George D. Kirschbaum

*Assistant Examiner* — Richard Kearney

(57) **CLAIM**

The ornamental design for a holder for vacuum cleaner, as shown and described.

**DESCRIPTION**

1. Holder for vacuum cleaner

**1.1** : Perspective

**1.2** : Perspective

**1.3** : Front

**1.4** : Left

**1.5** : Top

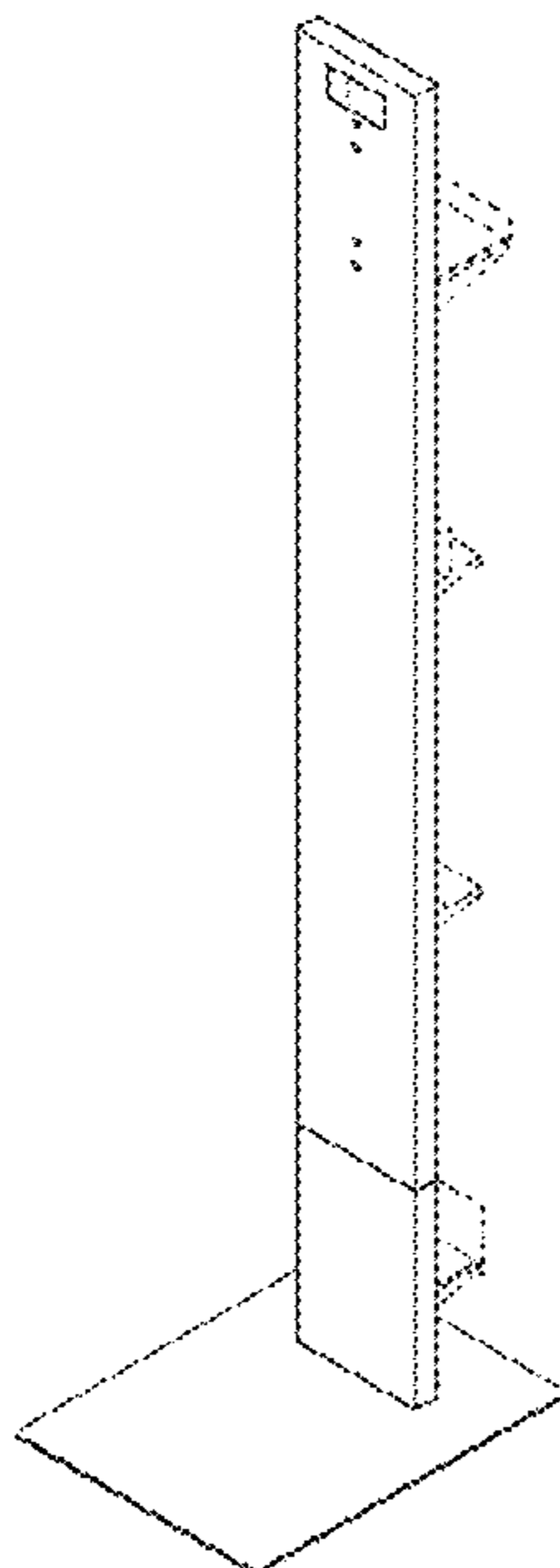
**1.6** : Back

**1.7** : Bottom

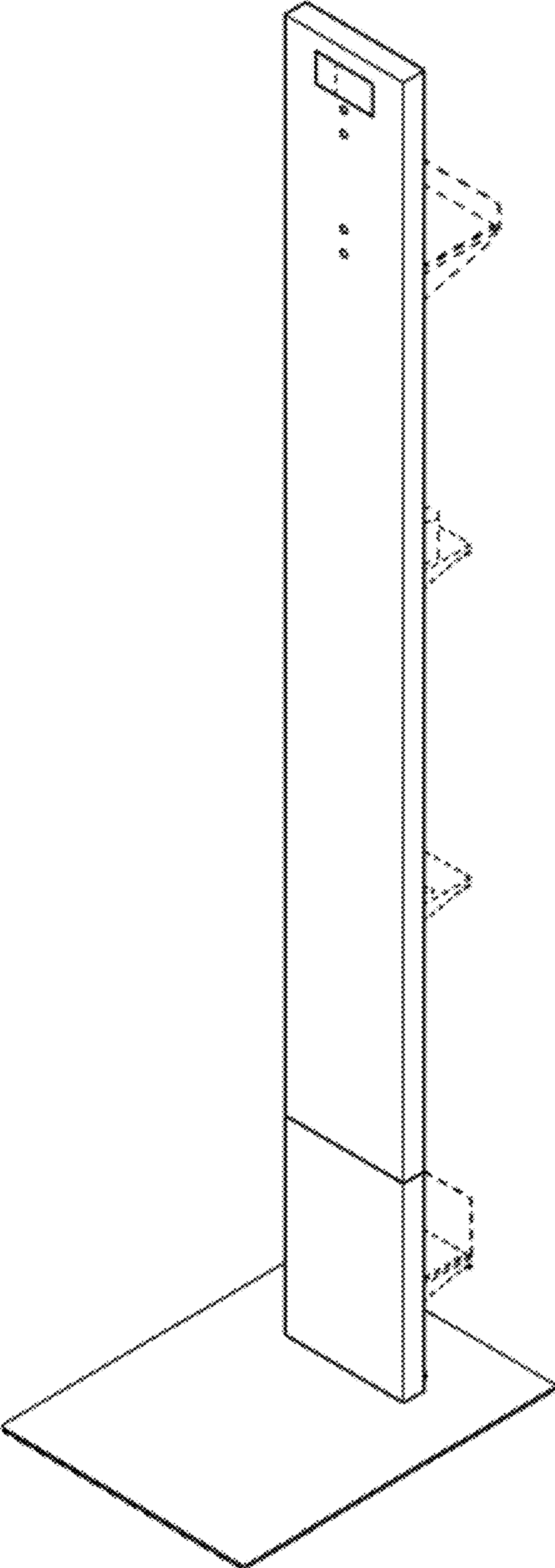
**1.8** : Right

The parts shown by means of broken lines in the reproductions are not part of the claimed design.

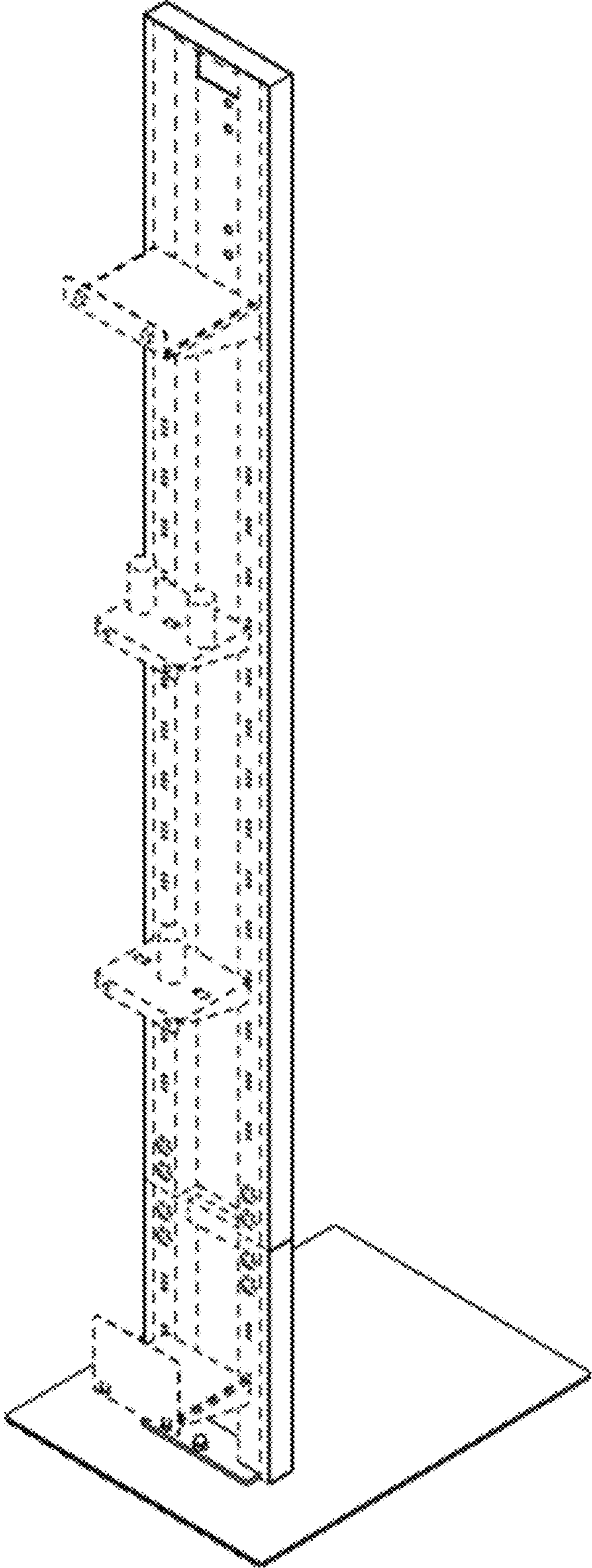
**1 Claim, 8 Drawing Sheets**



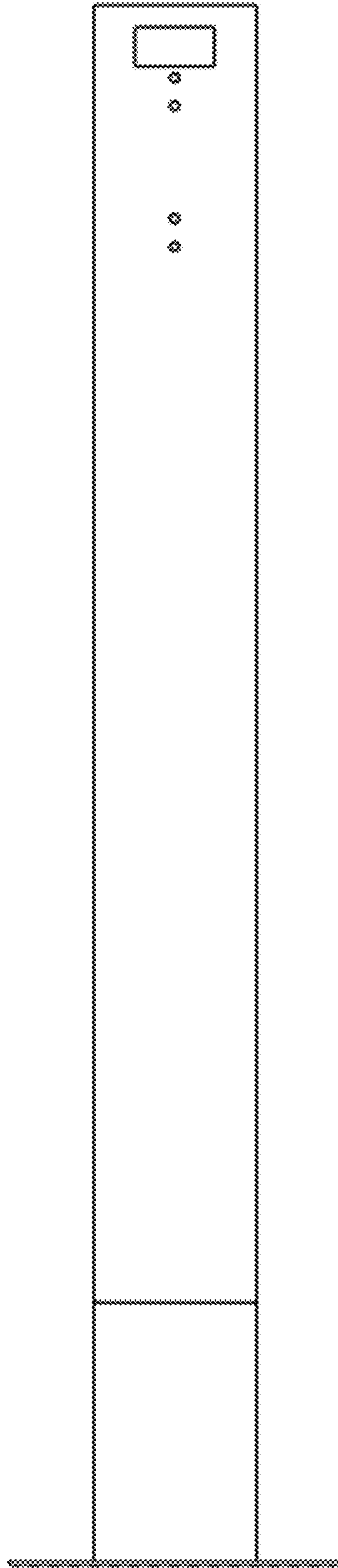
1.1



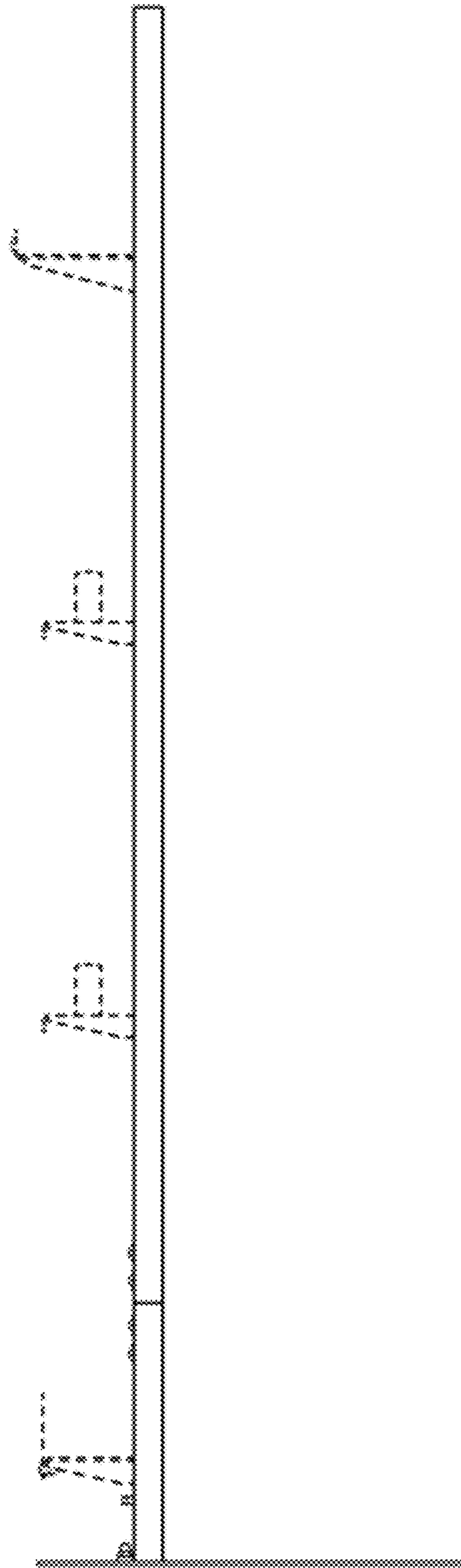
1.2



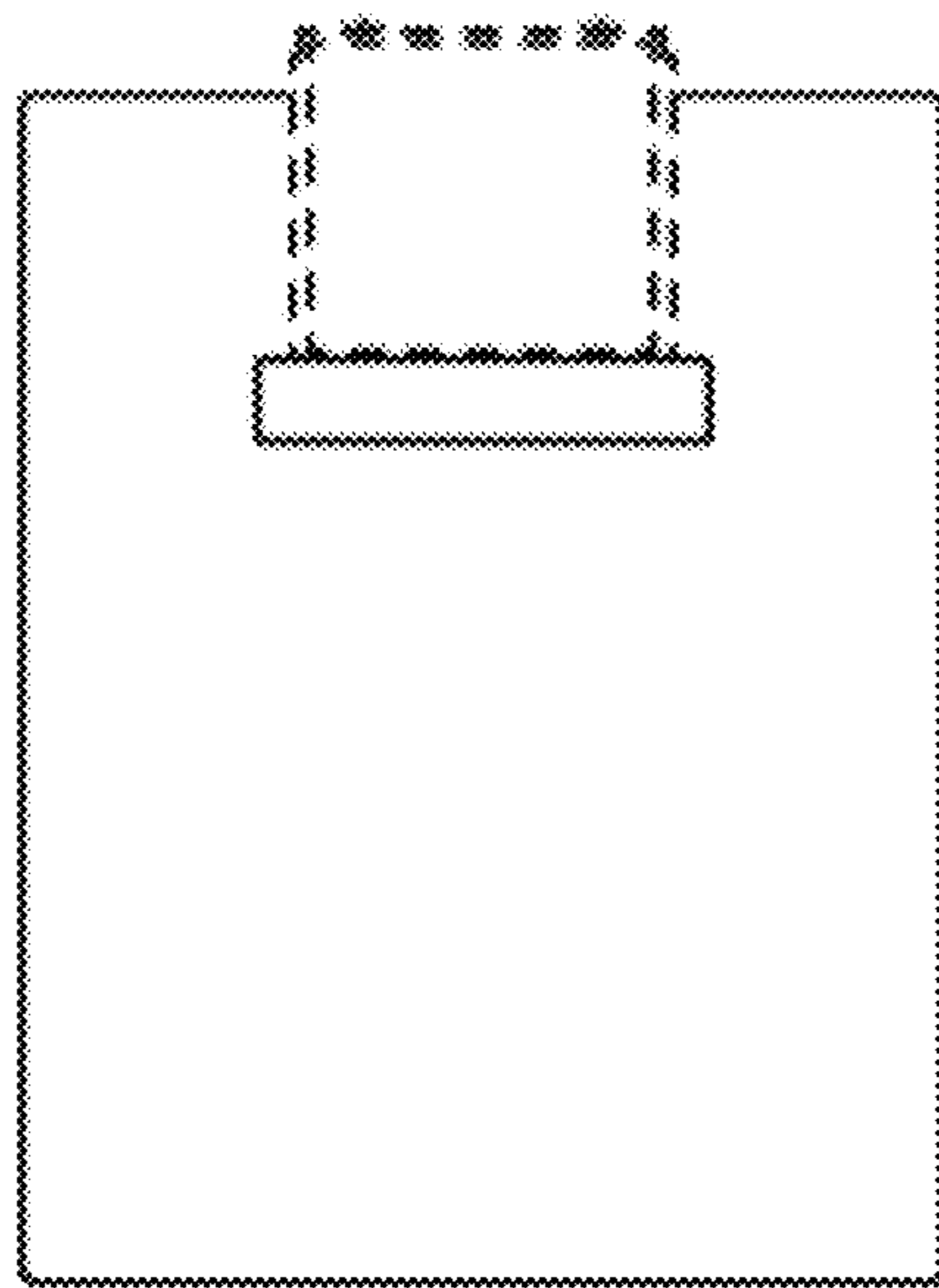
1.3



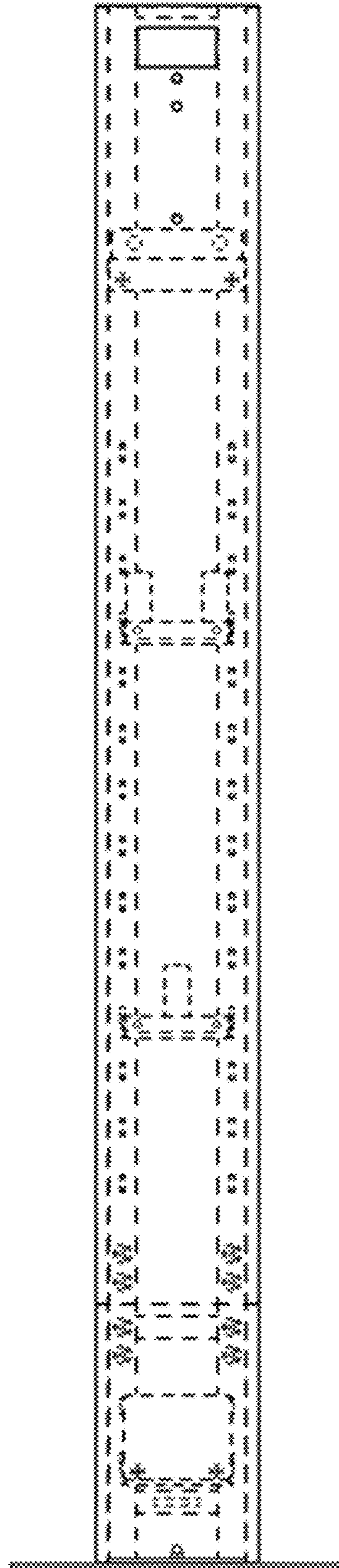
1.4



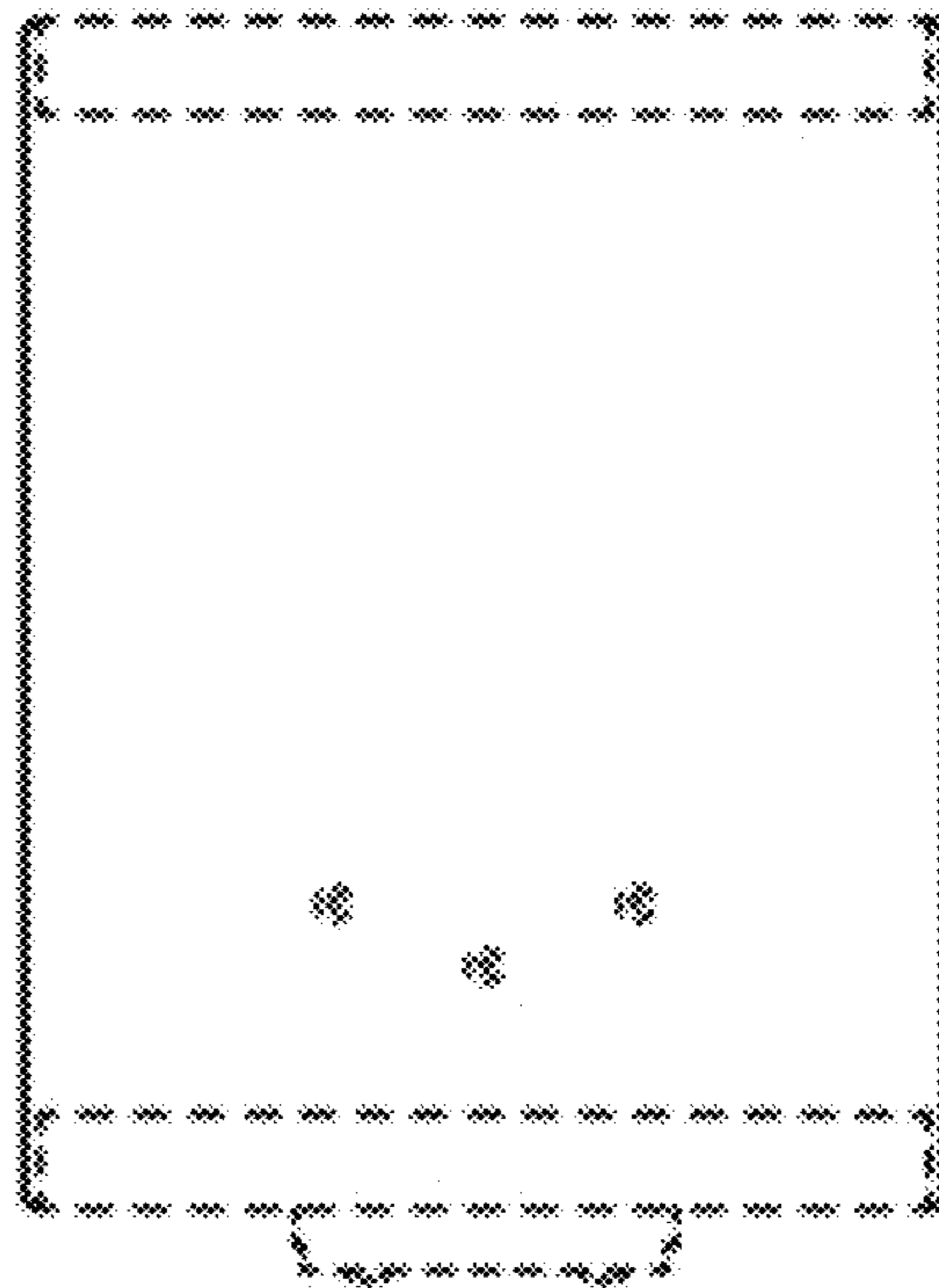
1.5



# 1.6



1.7





1.8

