



US00D867793S

(12) **United States Design Patent** (10) **Patent No.:** **US D867,793 S**
Davis et al. (45) **Date of Patent:** **** Nov. 26, 2019**

(54) **ROBOTIC SYSTEM ENCLOSURE**
(71) Applicant: **Beckman Coulter, Inc.**, Brea, CA (US)
(72) Inventors: **Matthew S. Davis**, Indianapolis, IN (US); **Jared L. West**, Fishers, IN (US)
(73) Assignee: **Beckman Coulter, Inc.**, Brea, CA (US)
(**) Term: **15 Years**

Primary Examiner — Kelley A Donnelly
(74) *Attorney, Agent, or Firm* — Frost Brown Todd LLC

(21) Appl. No.: **29/591,370**
(22) Filed: **Jan. 19, 2017**
(51) **LOC (12) Cl.** **06-06**
(52) **U.S. Cl.**
USPC **D6/675**
(58) **Field of Classification Search**
USPC D3/304, 315; D6/661, 667, 672, 673,
D6/675, 682, 682.1, 683; D9/418, 432
CPC .. A47F 3/001; A47F 3/08; A47F 3/005; A47F
7/00
See application file for complete search history.

(57) **CLAIM**

The ornamental design for a robotic system enclosure, as shown and described.

DESCRIPTION

FIG. 1 is a top perspective view of a robotic system enclosure, showing our new design;
FIG. 2 is a front elevational view of the robotic system enclosure of FIG. 1;
FIG. 3 is a back elevational view of the robotic system enclosure of FIG. 1;
FIG. 4 is a left elevational view of the robotic system enclosure of FIG. 1;
FIG. 5 is a right elevational view of the robotic system enclosure of FIG. 1;
FIG. 6 is a top plan view of the robotic system enclosure of FIG. 1;
FIG. 7 is a bottom plan view of the robotic system enclosure of FIG. 1;
FIG. 8 depicts a top perspective view of another embodiment of a robotic system enclosure, showing our new design;
FIG. 9 is a front elevational view of the robotic system enclosure of FIG. 8;
FIG. 10 is a back elevational view of the robotic system enclosure of FIG. 8;
FIG. 11 is a left elevational view of the robotic system enclosure of FIG. 8;
FIG. 12 is a right elevational view of the robotic system enclosure of FIG. 8;
FIG. 13 is a top plan view of the robotic system enclosure of FIG. 8; and,
FIG. 14 is a bottom plan view of the robotic system enclosure of FIG. 8.

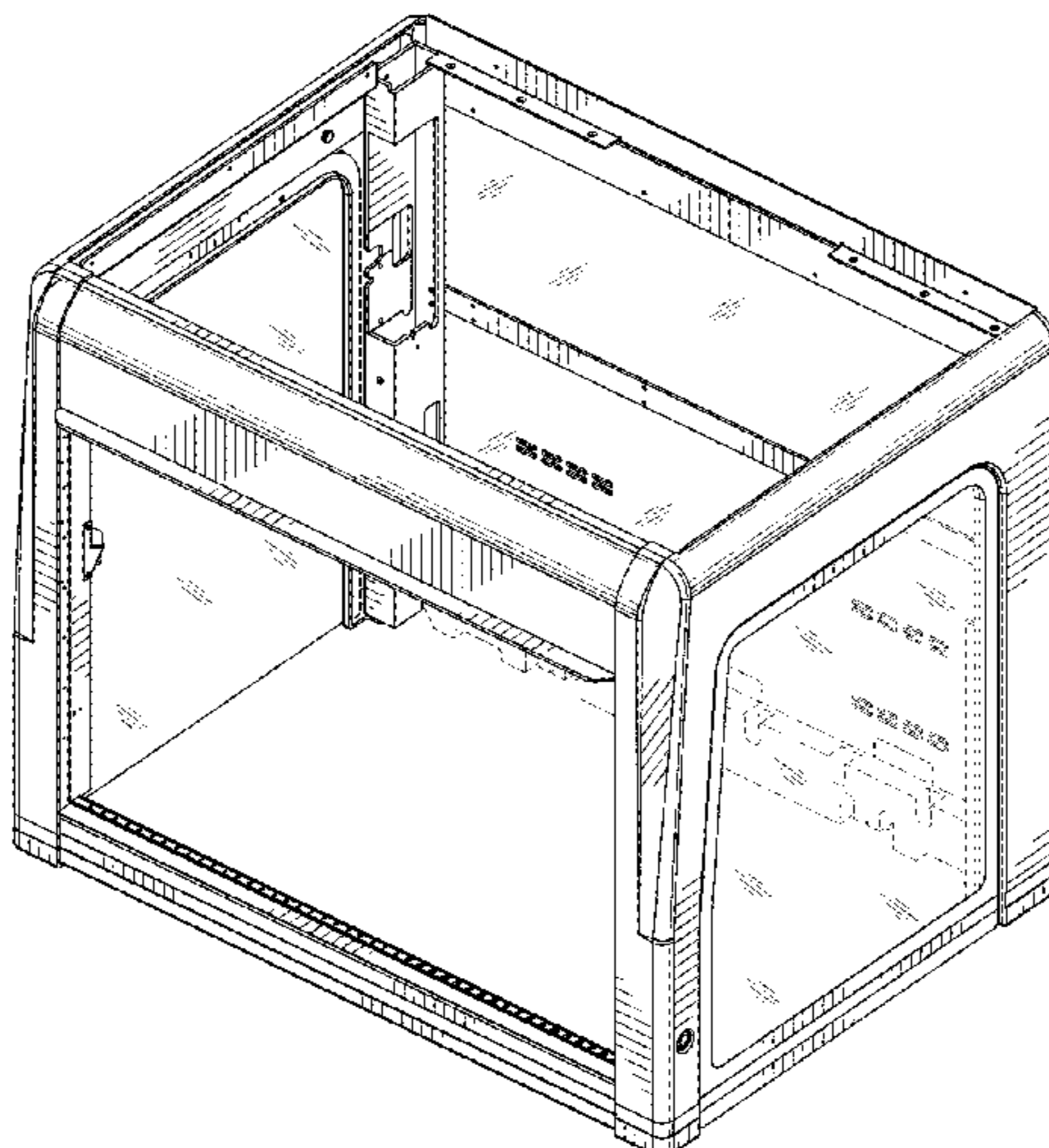
(56) **References Cited**

U.S. PATENT DOCUMENTS

D267,992 S * 2/1983 Shelton D6/675
5,027,254 A * 6/1991 Corfits G06F 1/20
165/122
6,075,694 A * 6/2000 Mills G06F 1/187
312/223.2
6,088,222 A * 7/2000 Schmitt E05B 63/143
312/332.1
6,480,391 B1 * 11/2002 Monson H05K 7/1425
312/223.1
7,909,180 B2 * 3/2011 Barringer G06F 1/183
211/134
8,079,481 B2 * 12/2011 Canfield H05K 7/183
211/184
D661,141 S * 6/2012 Bao D6/675
D703,466 S * 4/2014 Franck D6/675
D728,282 S * 5/2015 Tongue D6/675
D733,196 S * 6/2015 Wolf D15/122

(Continued)

1 Claim, 14 Drawing Sheets



(56)

References Cited

U.S. PATENT DOCUMENTS

D752,365 S *	3/2016	Knoll	D6/661
D760,306 S *	6/2016	Wolf	D15/122
D761,246 S *	7/2016	Michaud	H05K 7/20736
			D14/308
D771,509 S *	11/2016	Besett	D10/75
D829,024 S *	9/2018	Mejia	D6/661

* cited by examiner

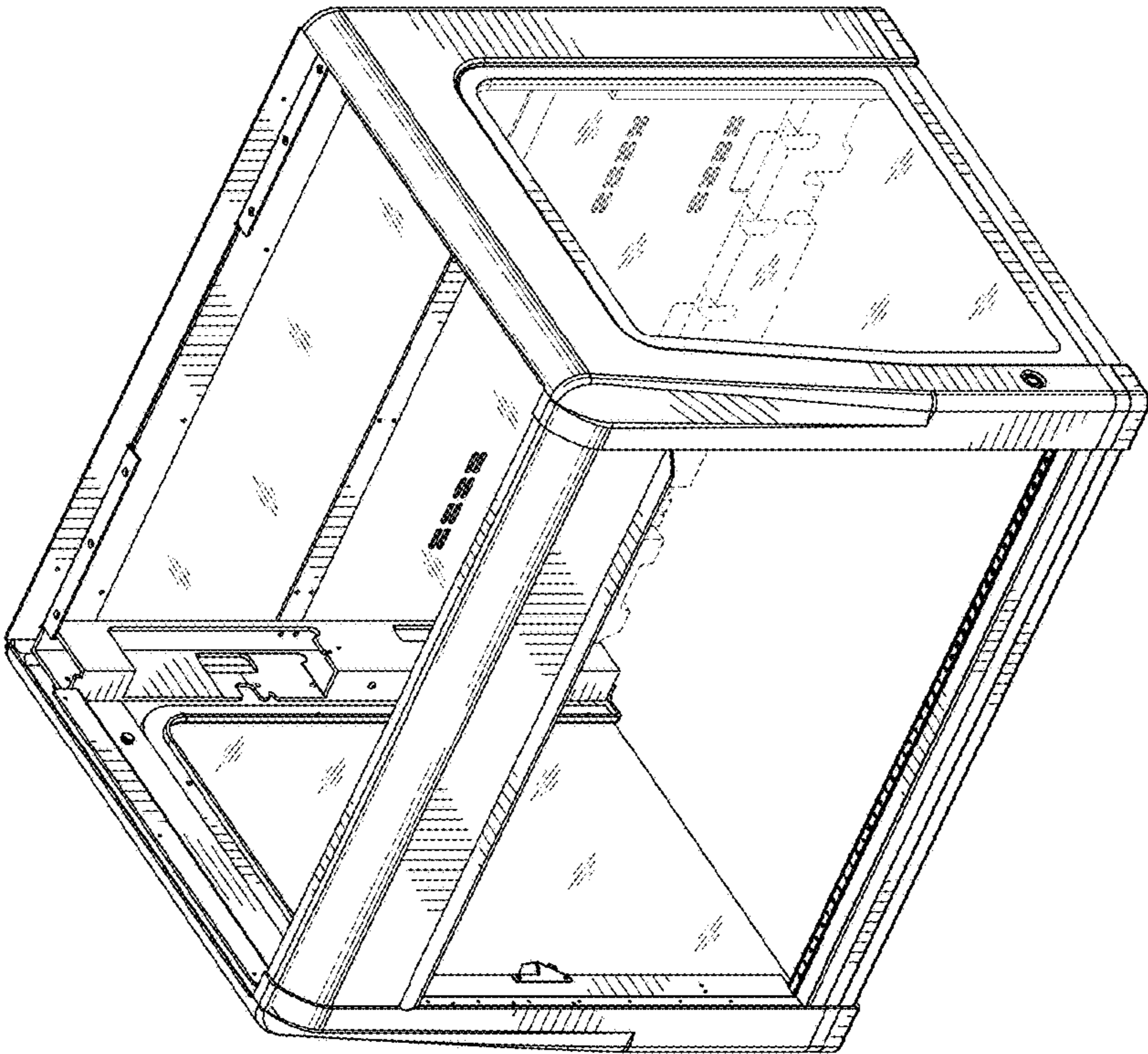


Fig. 1

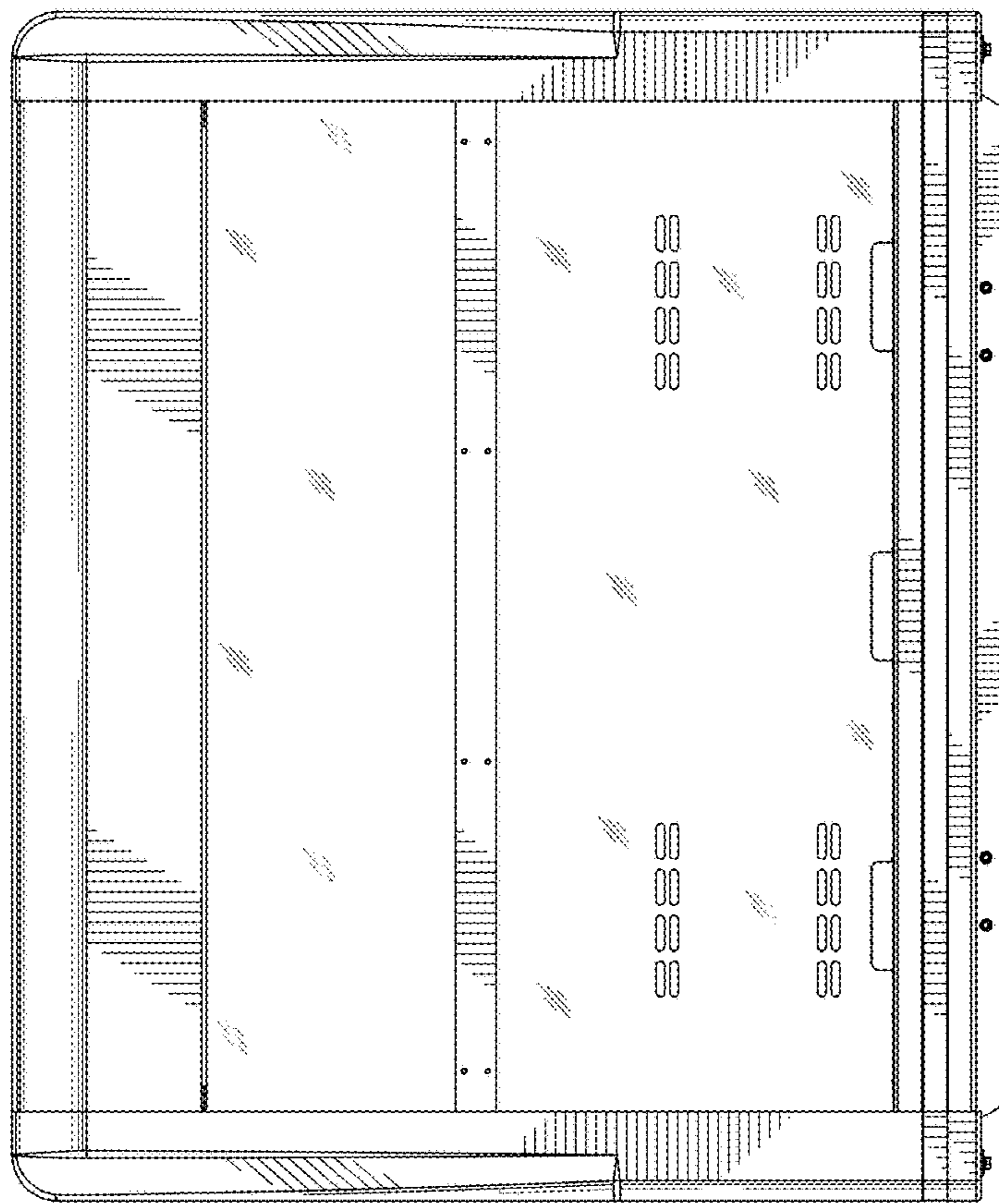


Fig. 2

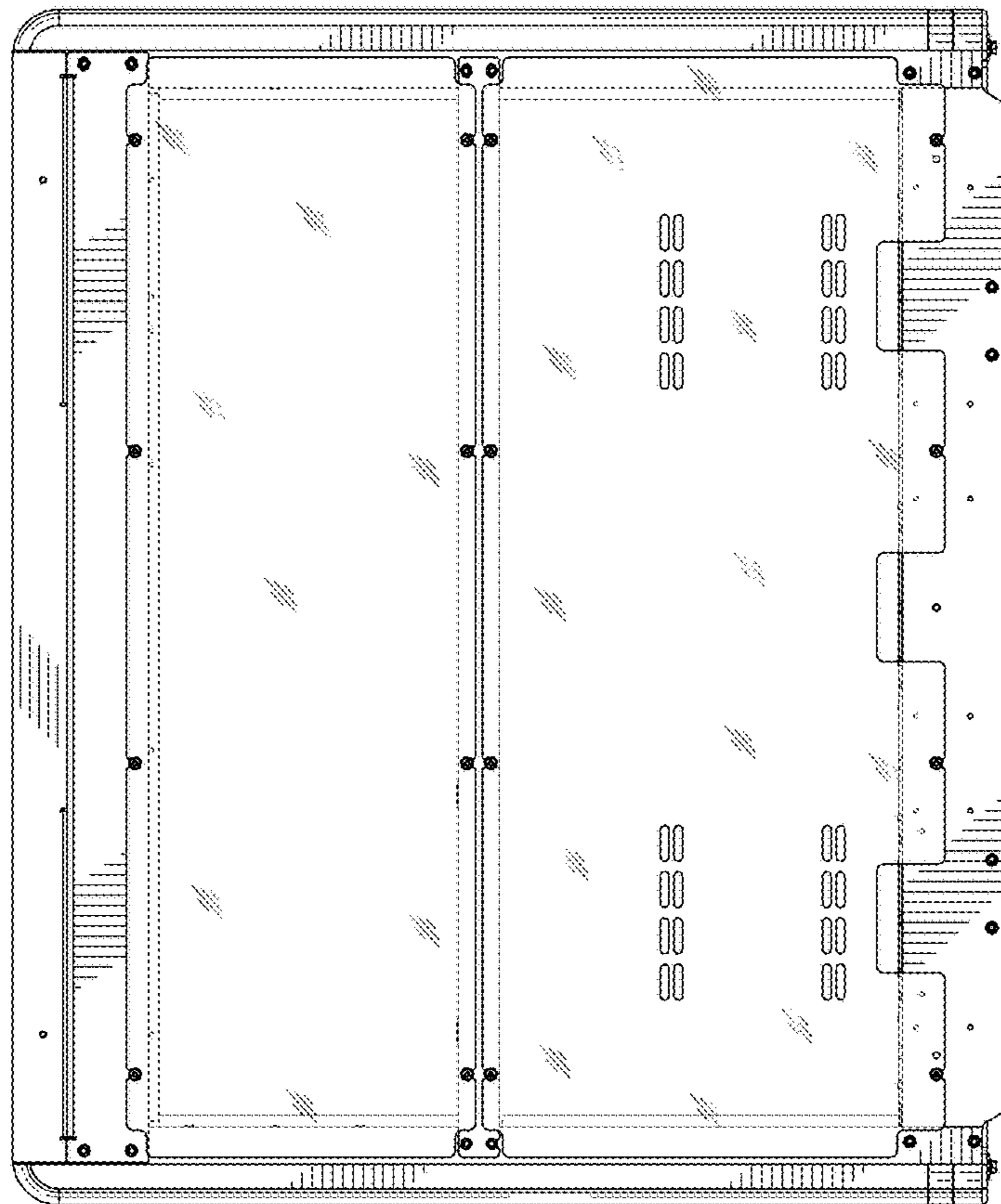


Fig.3

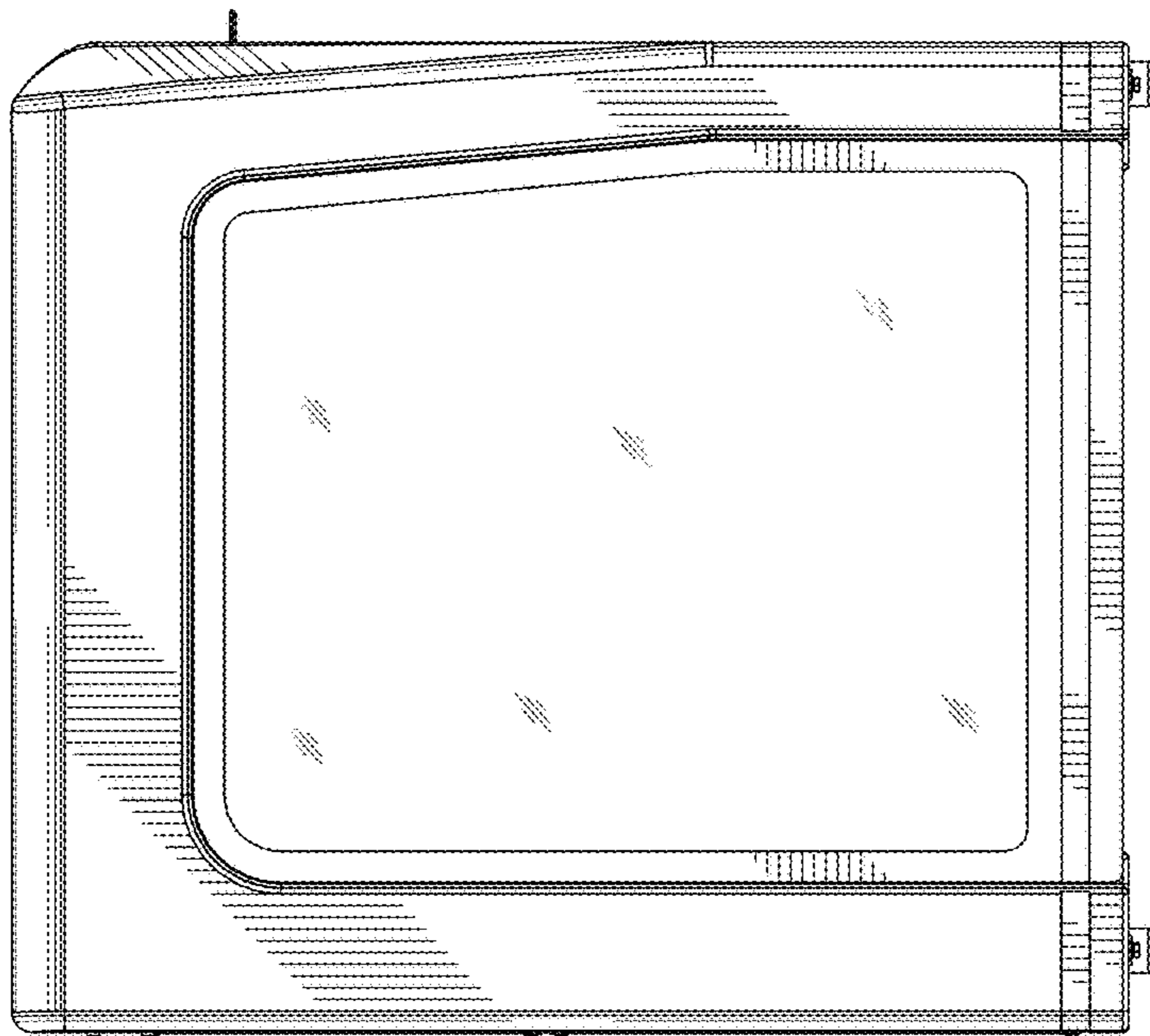


Fig. 4

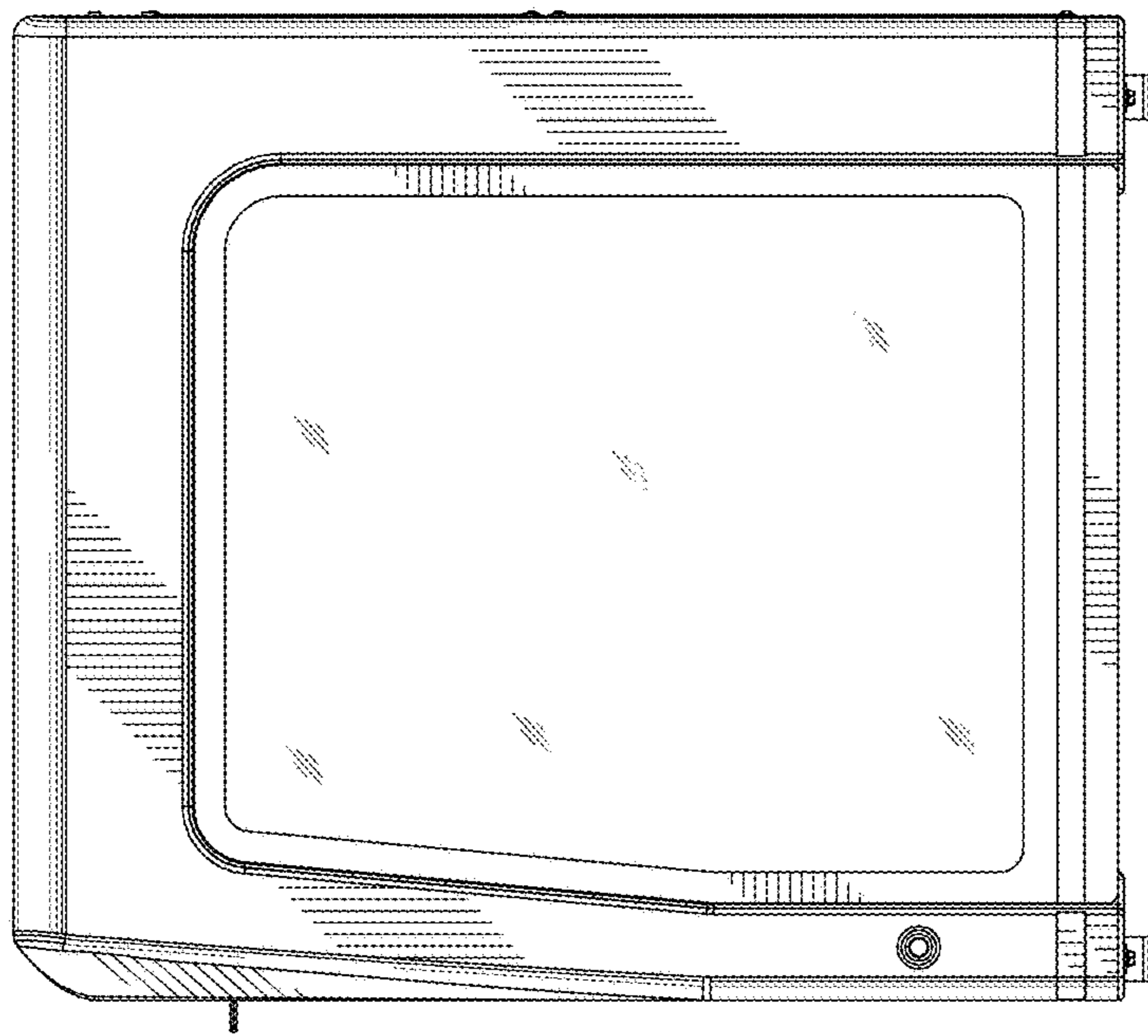


Fig.5

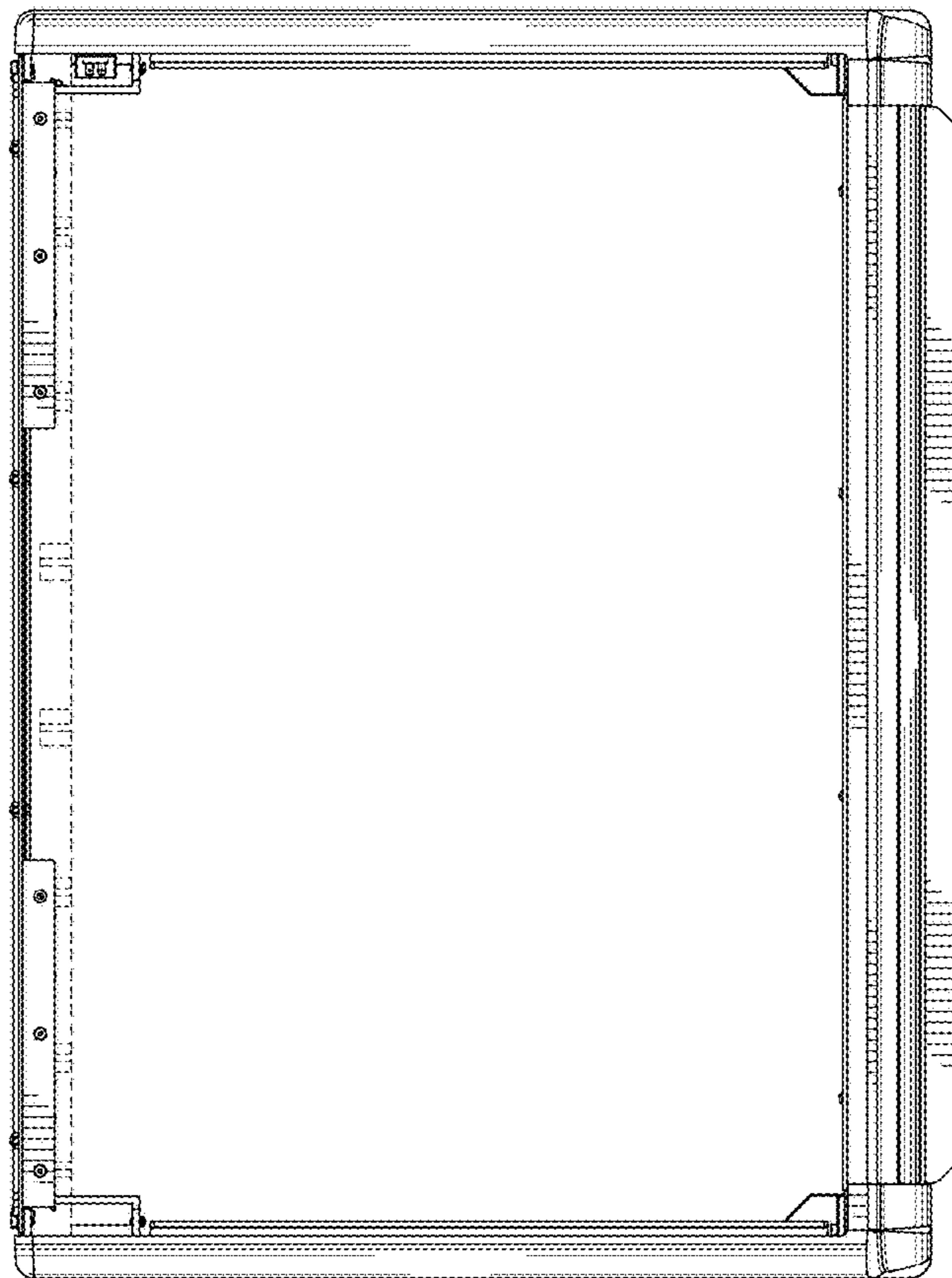


Fig. 6

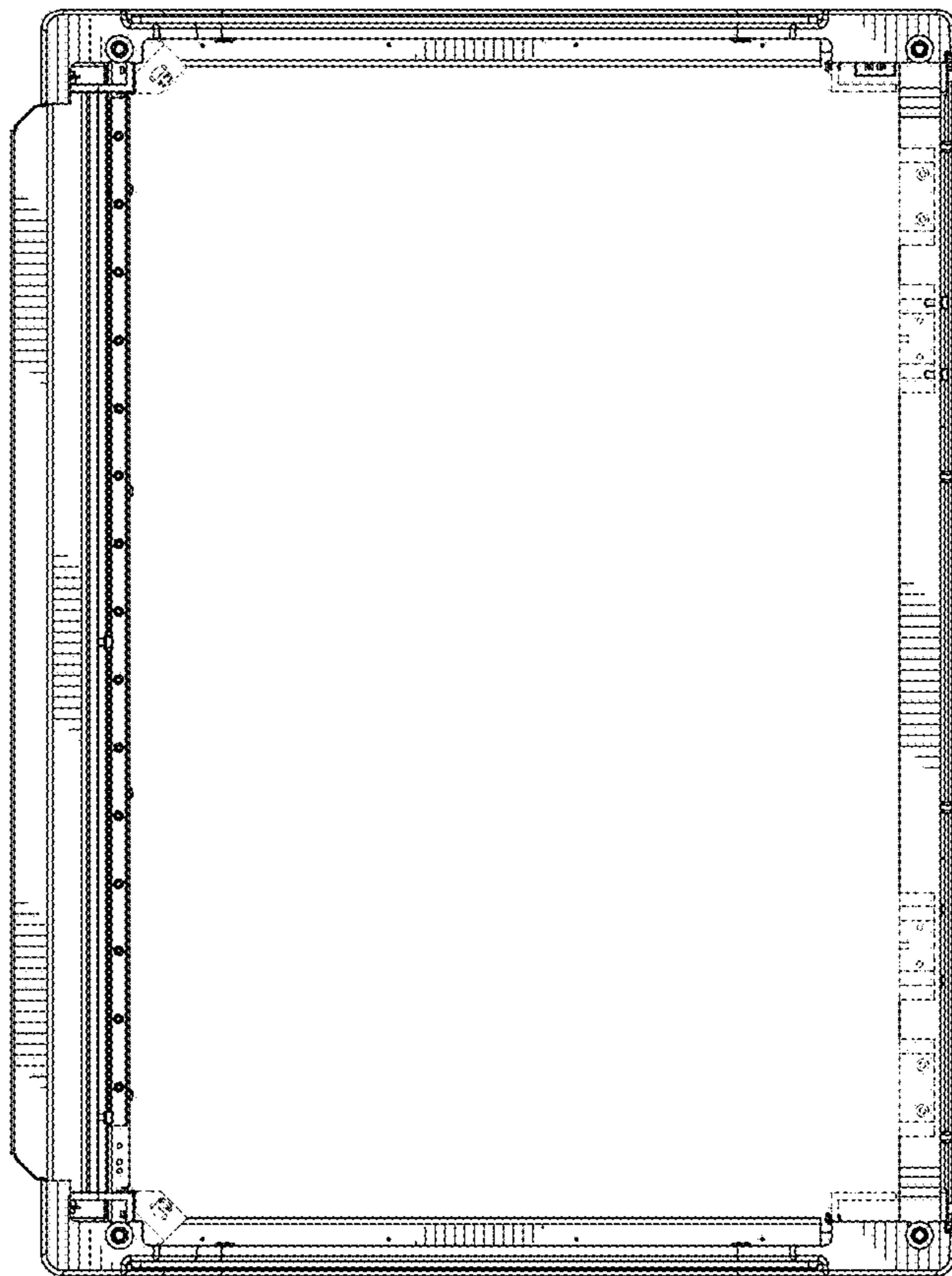


Fig.7

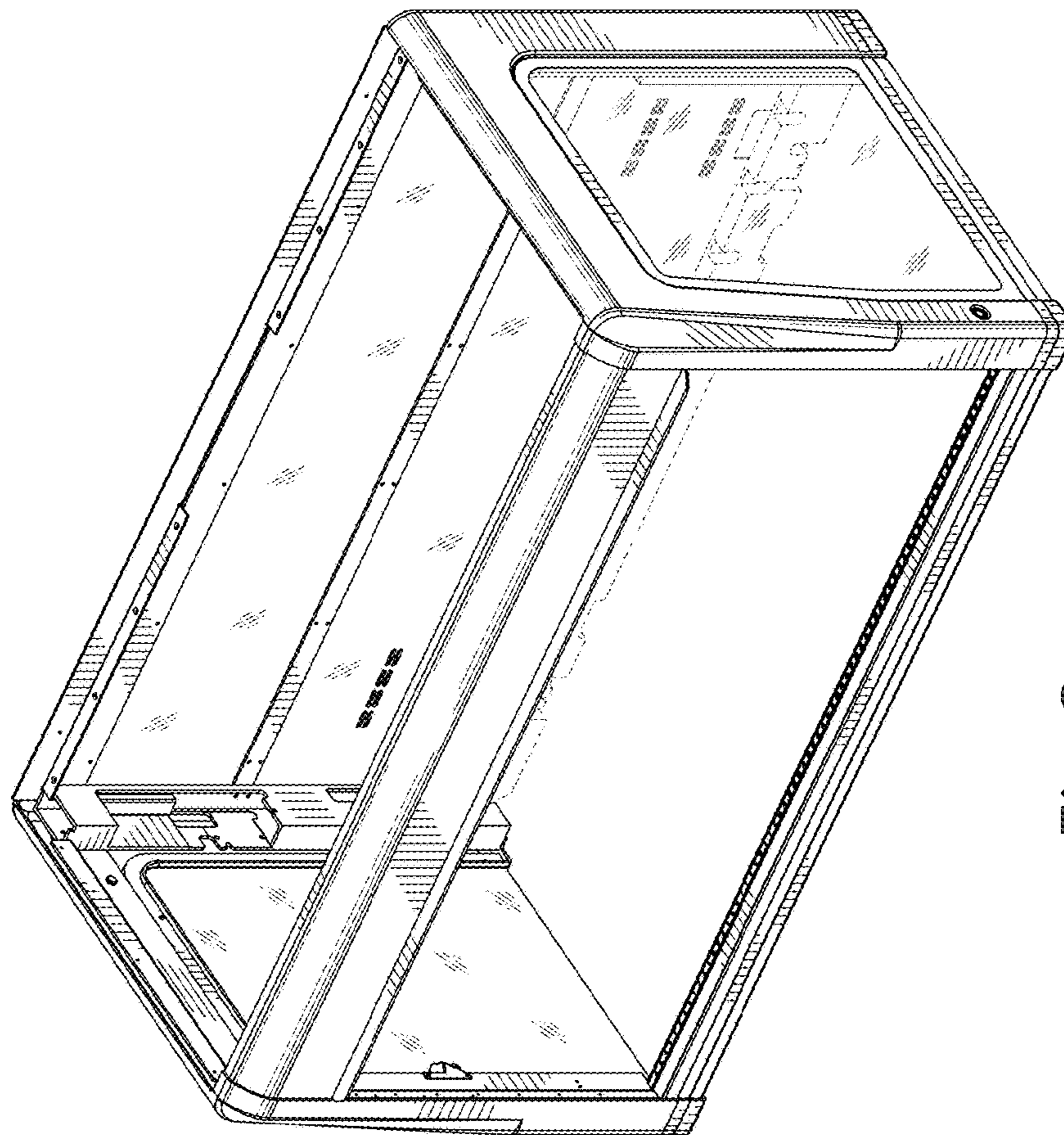


Fig.8

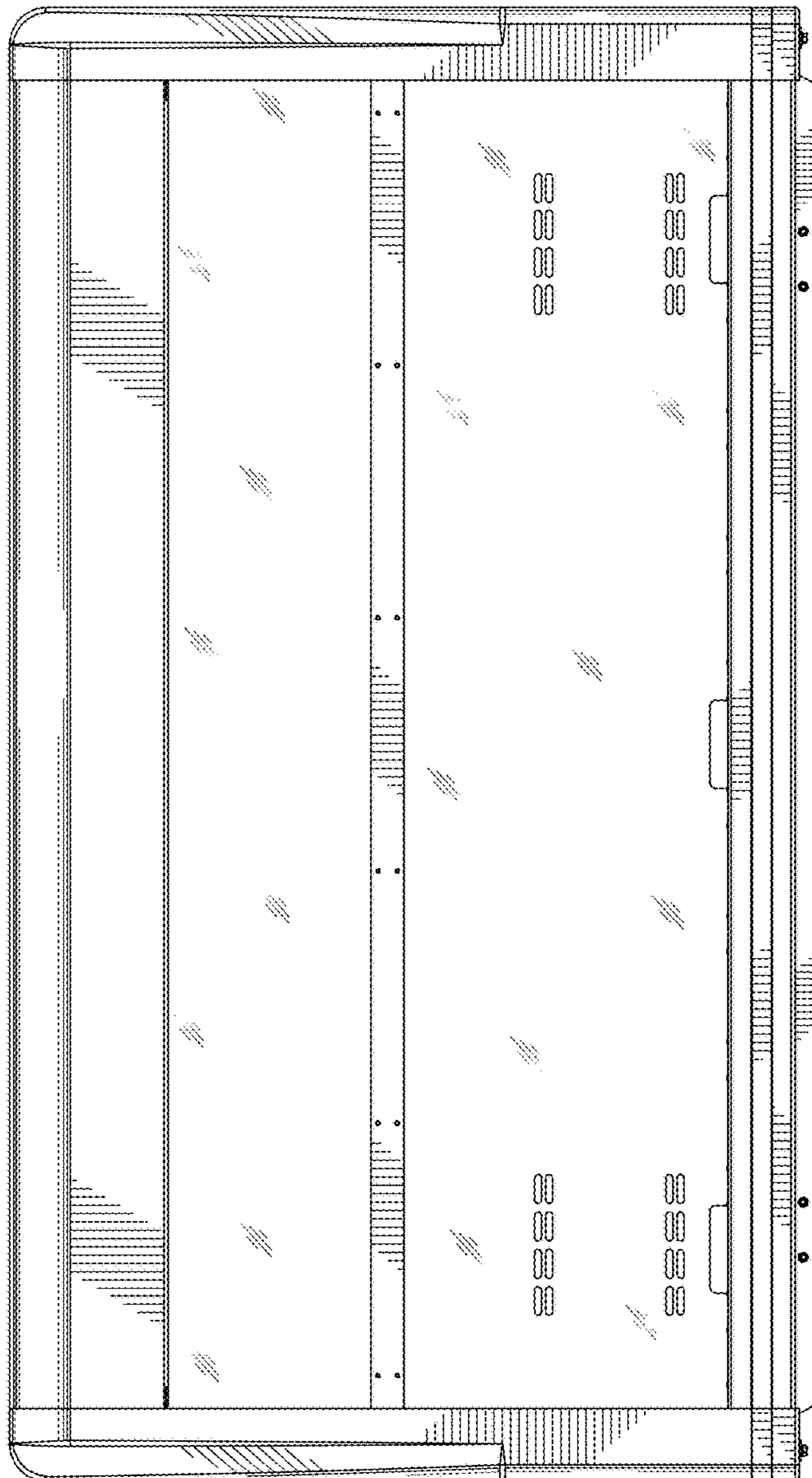


Fig. 9

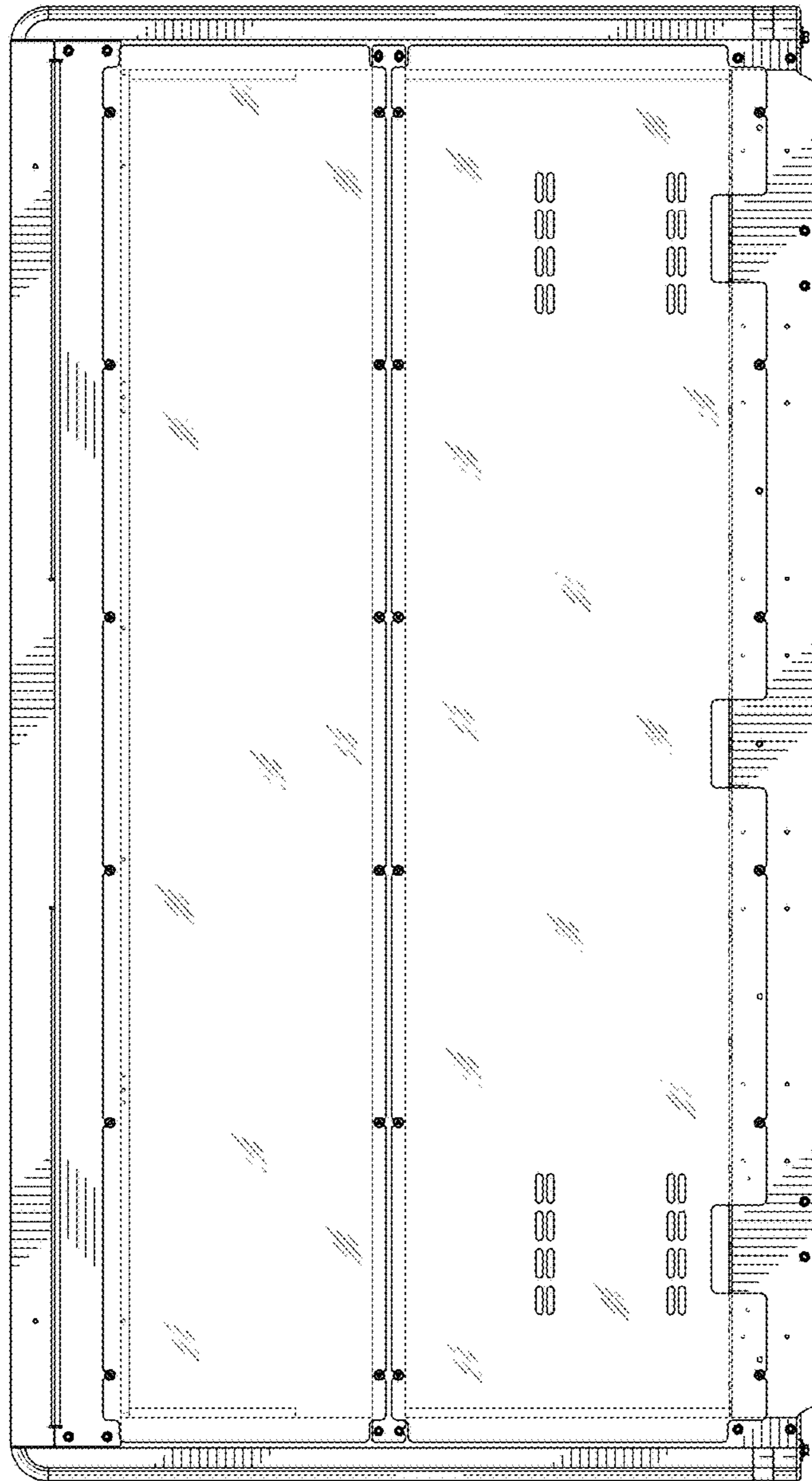


Fig. 10

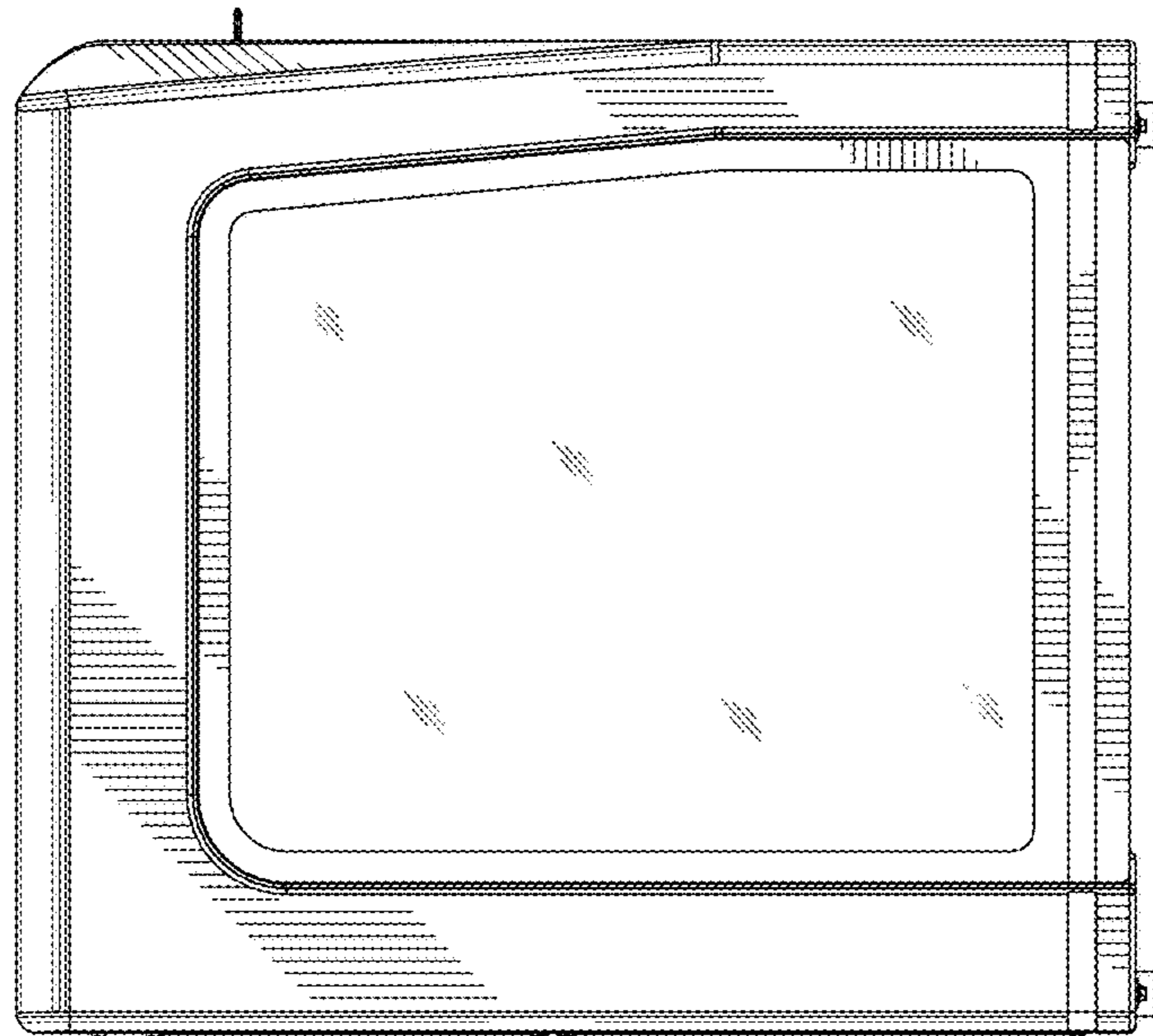


Fig.11

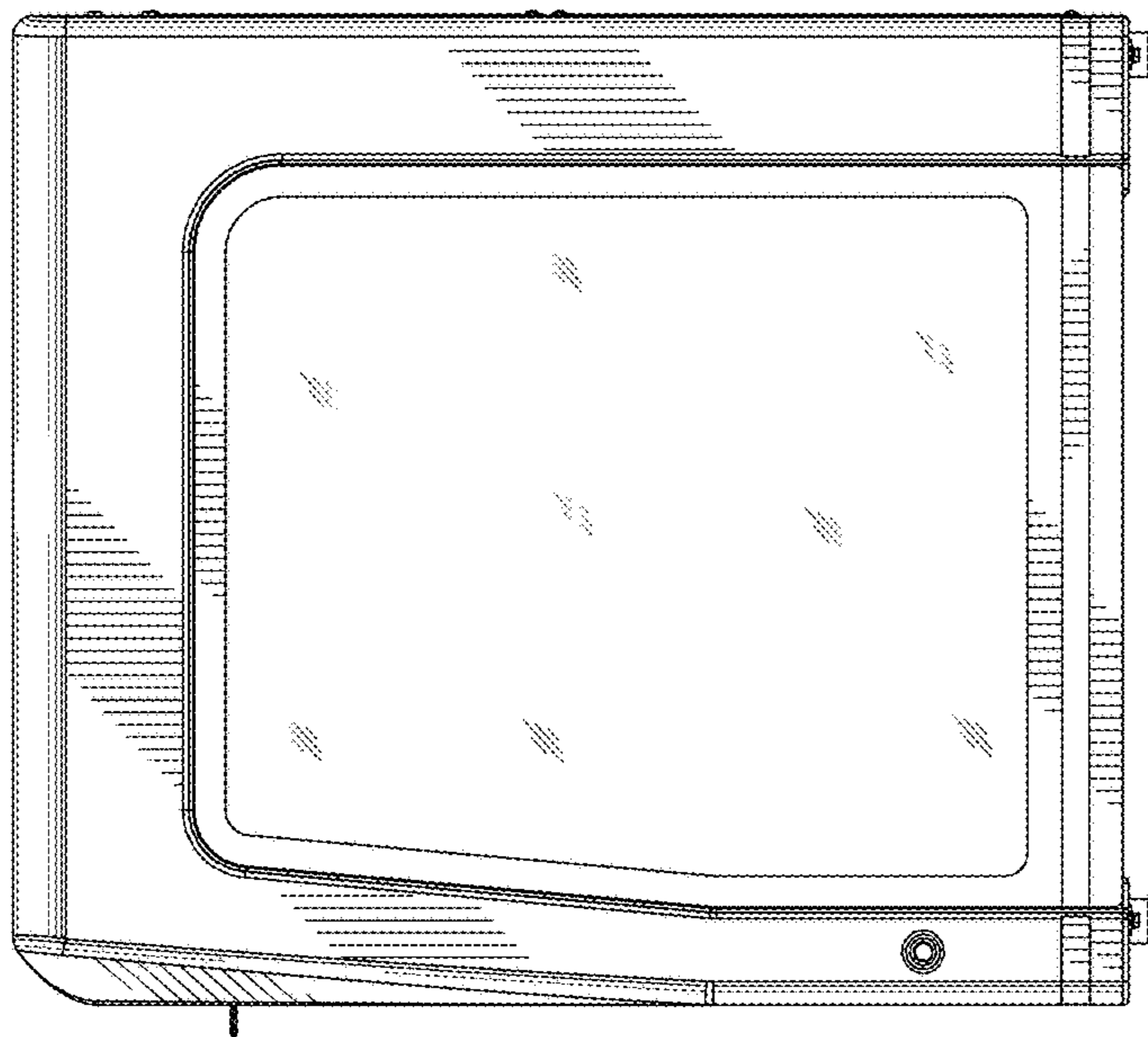


Fig. 12

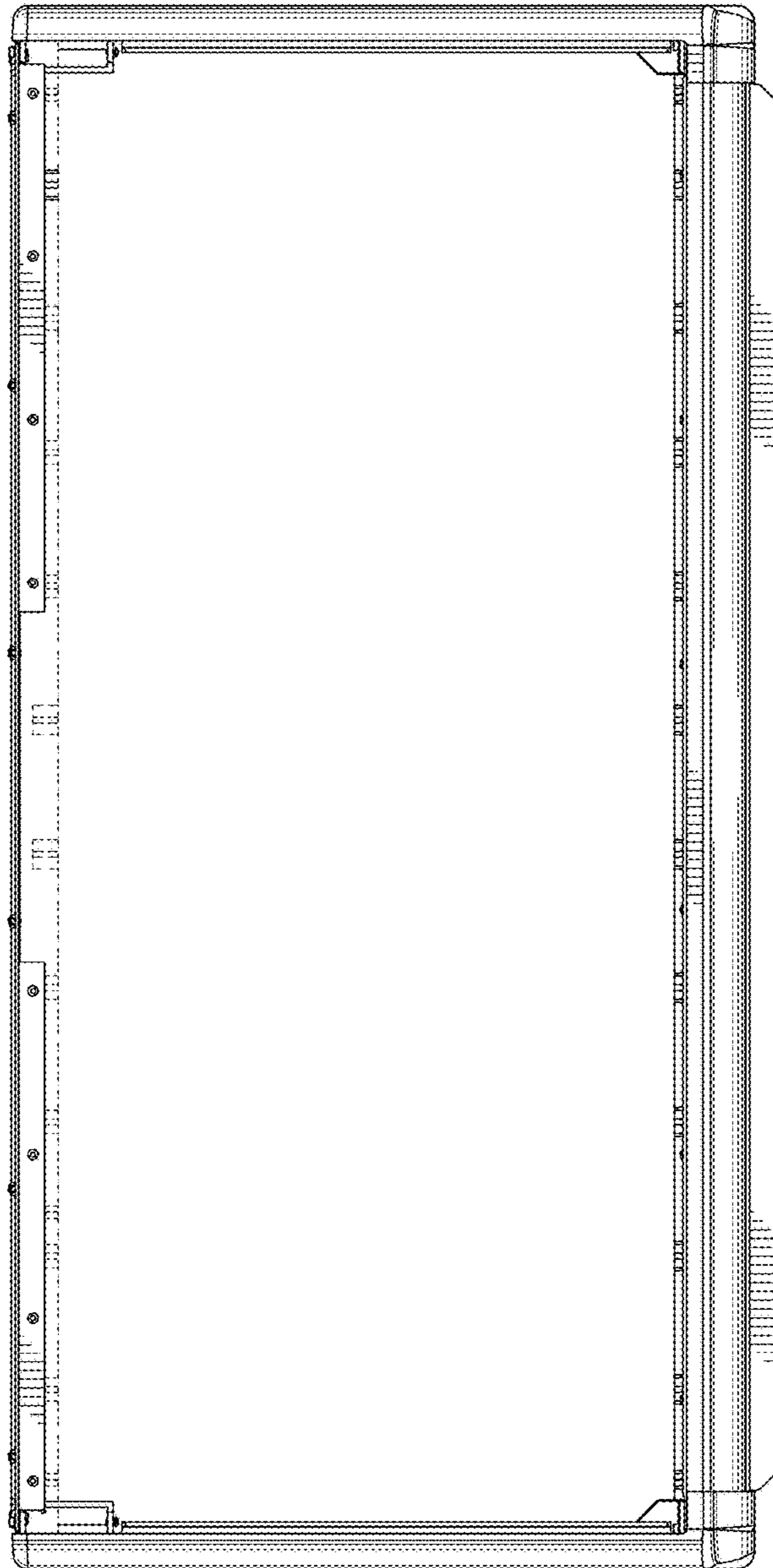


Fig. 13

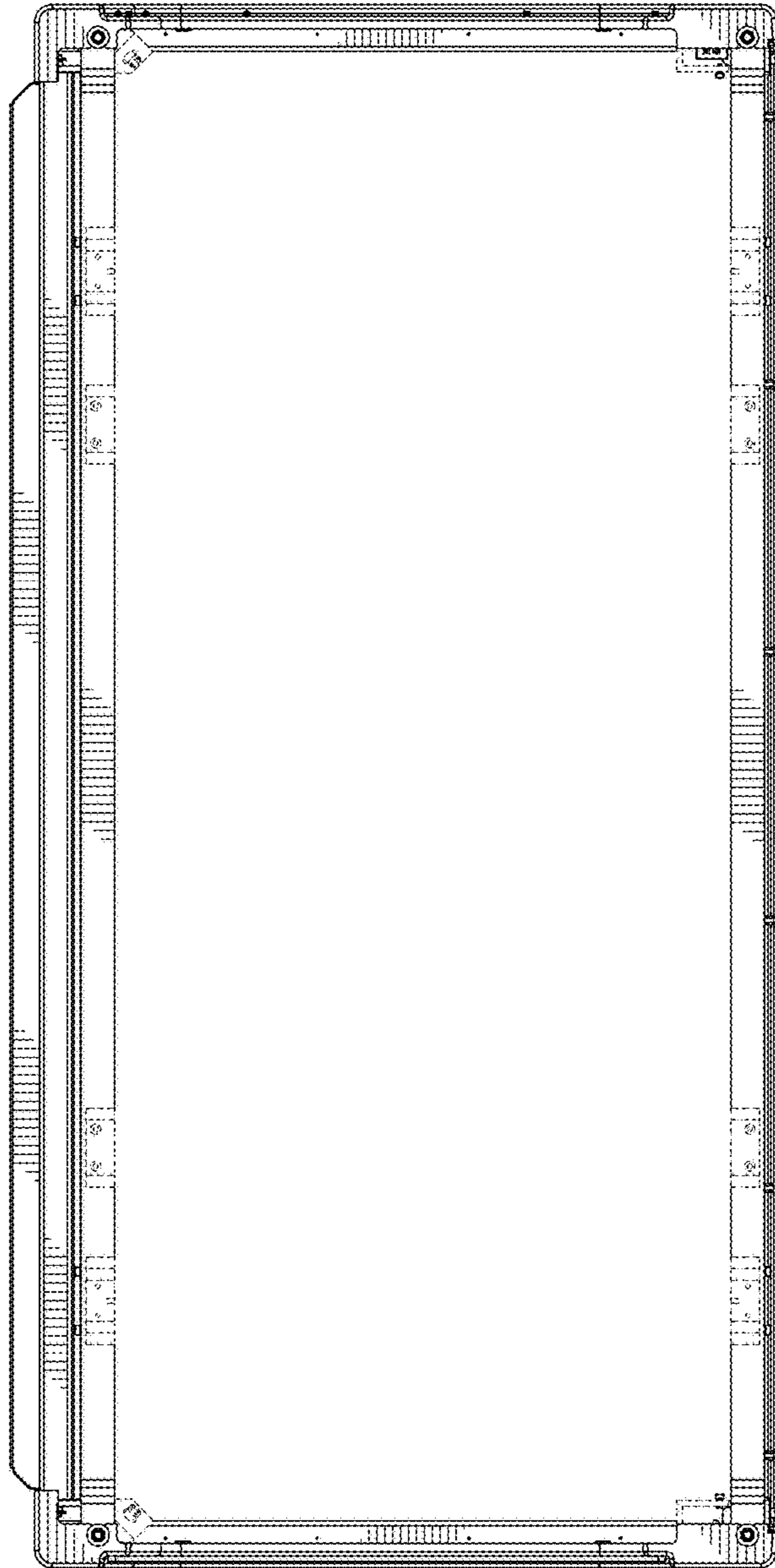


Fig. 14