



US00D867791S

(12) **United States Design Patent** (10) **Patent No.:** **US D867,791 S**
Birch (45) **Date of Patent:** **** Nov. 26, 2019**

- (54) **DRESSER**
- (71) Applicant: **RH US, LLC**, Corte Madera, CA (US)
- (72) Inventor: **John Birch**, New York, NY (US)
- (73) Assignee: **RH US, LLC**, Corte Madera, CA (US)
- (**) Term: **15 Years**
- (21) Appl. No.: **29/700,084**
- (22) Filed: **Jul. 31, 2019**

Related U.S. Application Data

- (62) Division of application No. 29/634,793, filed on Jan. 24, 2018.
- (51) **LOC (12) Cl.** **06-04**
- (52) **U.S. Cl.**
USPC **D6/671**
- (58) **Field of Classification Search**
USPC D6/512, 553, 559, 657, 659, 660, 661, 662, 663, 667, 669, 671, 671.1, 672, 673, 675, 682, 682.3, 683.1, 694
CPC A47B 46/00; A47B 47/00; A47B 47/02; A47B 47/021; A47B 47/022; A47B 47/04; A47B 55/00; A47B 67/00; A47B 67/02; A47B 67/04; A47B 83/04; A47B 7/00; A47B 81/00; A47B 81/007; A47B 81/02; A47F 3/00; A47F 3/005
See application file for complete search history.

(56) **References Cited**

U.S. PATENT DOCUMENTS

- 3,971,608 A 7/1976 Gans
- D241,293 S 9/1976 Introini et al.
- D243,901 S * 4/1977 Carter D6/671.1

- D243,981 S * 4/1977 Carter D6/671.1
- D350,042 S 8/1994 Shepherd
- D363,617 S * 10/1995 Paus D6/671.1
- D413,030 S 8/1999 Wanek et al.
- D494,774 S 8/2004 de Blois
- D501,736 S * 2/2005 Kirkpatrick D6/671.1
- D503,564 S * 4/2005 Juneau D6/671.1
- D508,347 S 8/2005 Juneau et al.
- D511,053 S * 11/2005 Peterson D6/671.1
- D512,853 S * 12/2005 Moser D6/671.1
- D519,299 S 4/2006 Boudreau
- D526,814 S 8/2006 Juneau et al.
- D533,732 S 12/2006 Juneau
- D542,057 S 5/2007 Juneau
- D791,516 S 7/2017 Everson et al.
- D816,734 S * 5/2018 Kim D15/79
- D818,745 S 5/2018 Hannoosh et al.
- D821,457 S * 6/2018 Kim D15/79
- D826,290 S * 8/2018 Kim D15/79
- 2004/0055980 A1 * 3/2004 Krieger A47B 45/00 211/86.01

* cited by examiner

Primary Examiner — R. Johnson

(74) *Attorney, Agent, or Firm* — Lewis Roca Rothgerber Christie LLP

(57) **CLAIM**

The ornamental design for a dresser, as shown and described.

DESCRIPTION

FIG. 1 is a front and right side perspective view of a dresser showing my new design;
FIG. 2 is a front elevation view thereof;
FIG. 3 is a right side elevation view thereof, the left side being a mirror image; and,
FIG. 4 is a top plan view thereof.

1 Claim, 4 Drawing Sheets

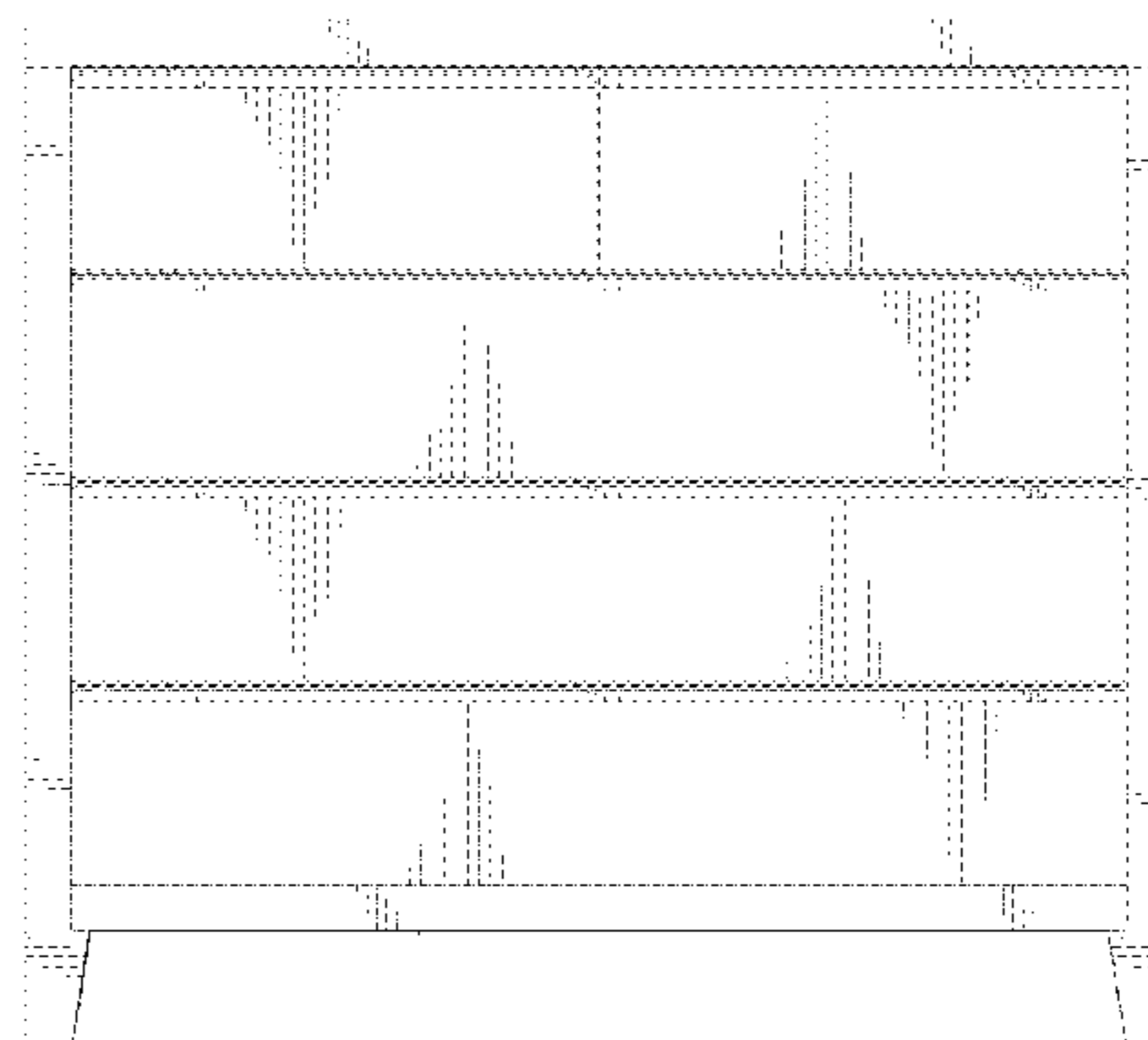
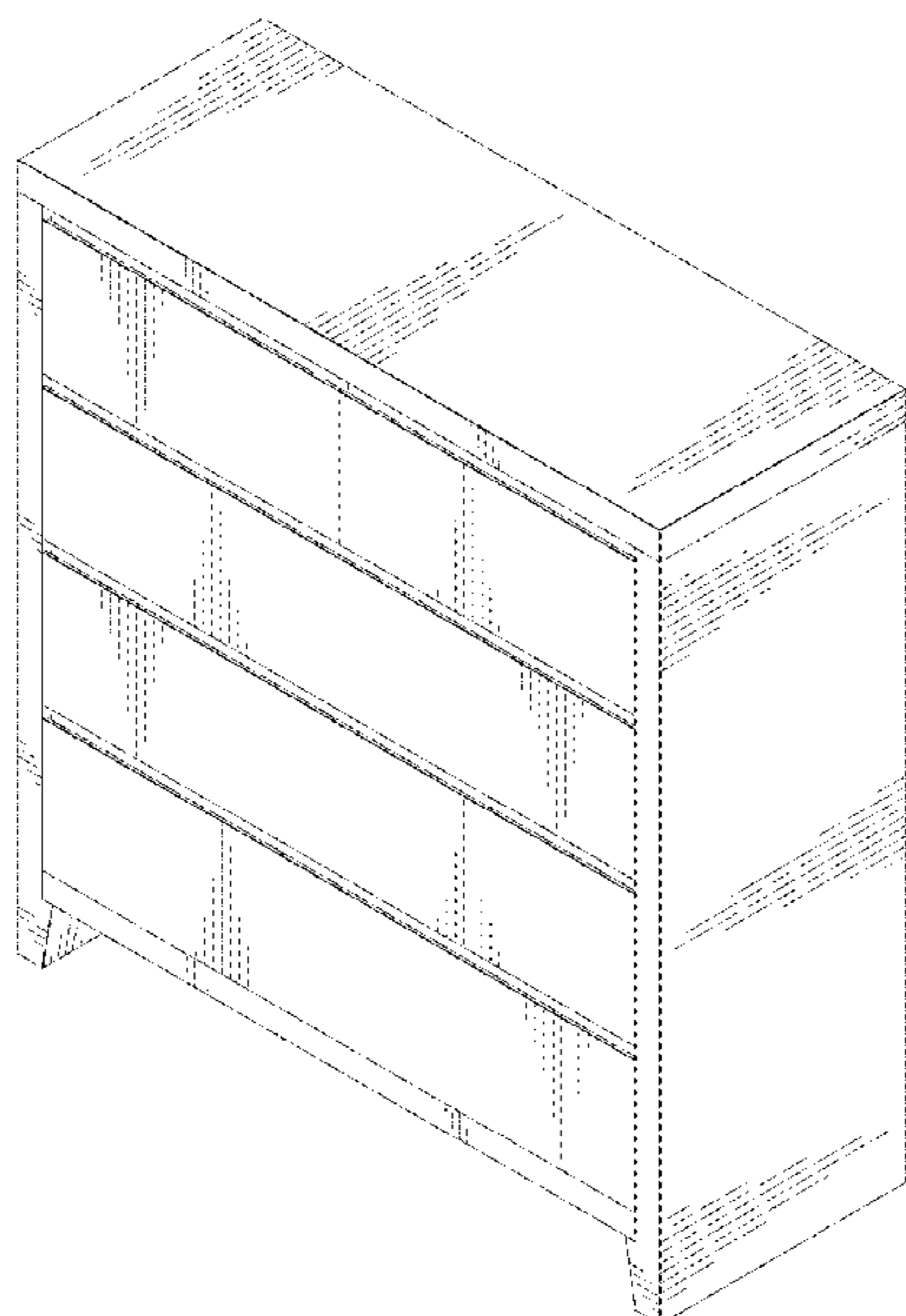


FIG. 1

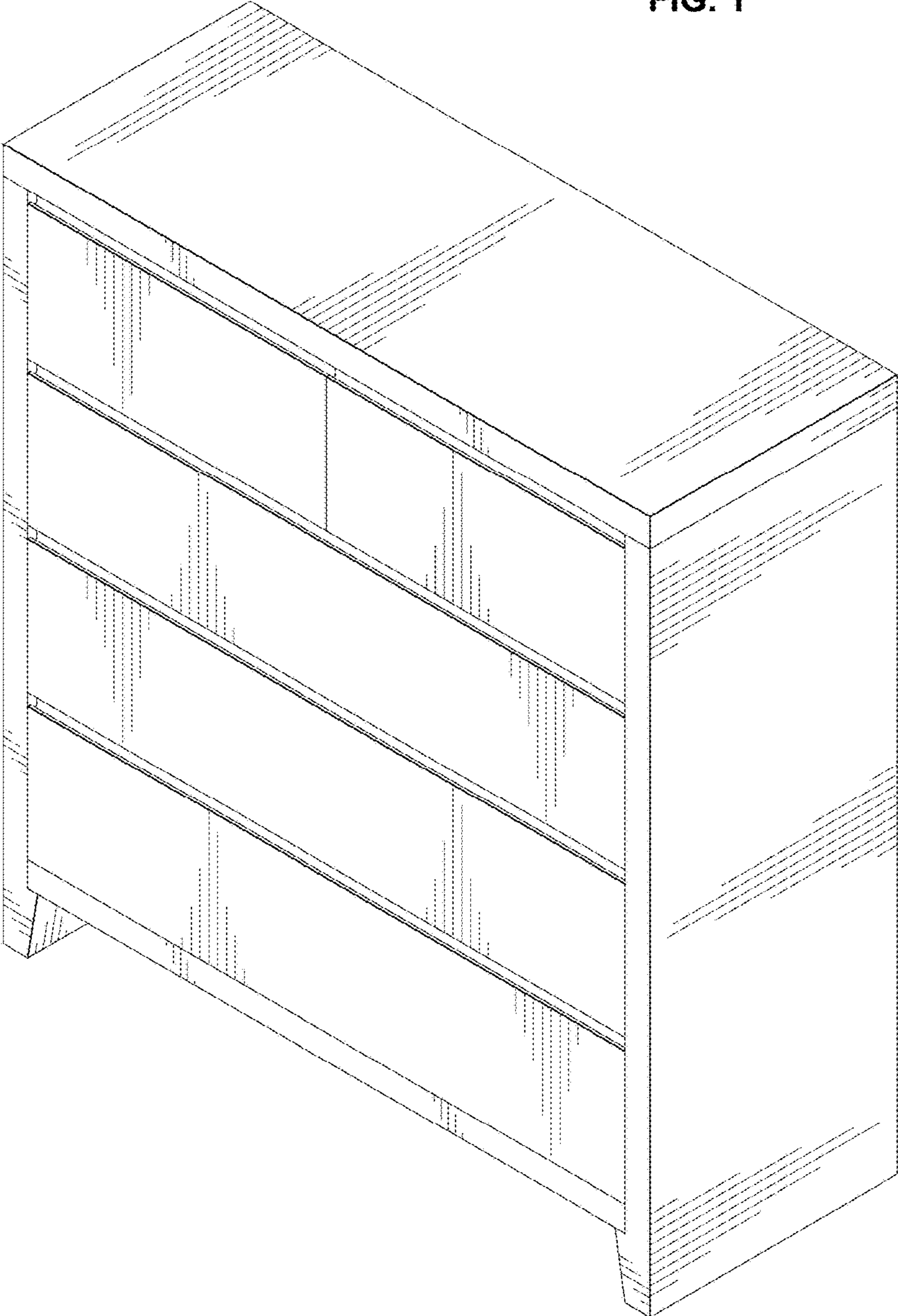


FIG. 2

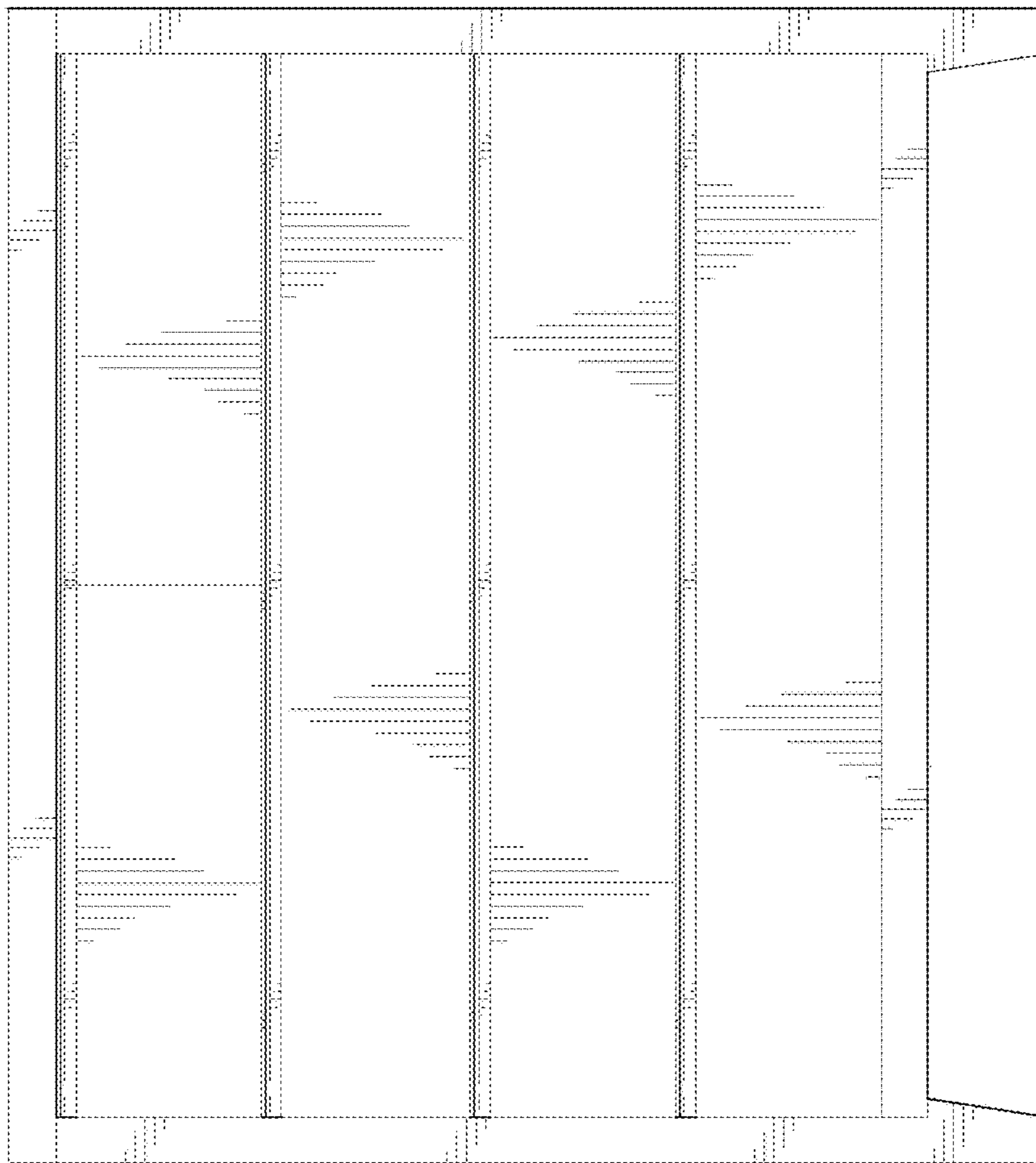


FIG. 3

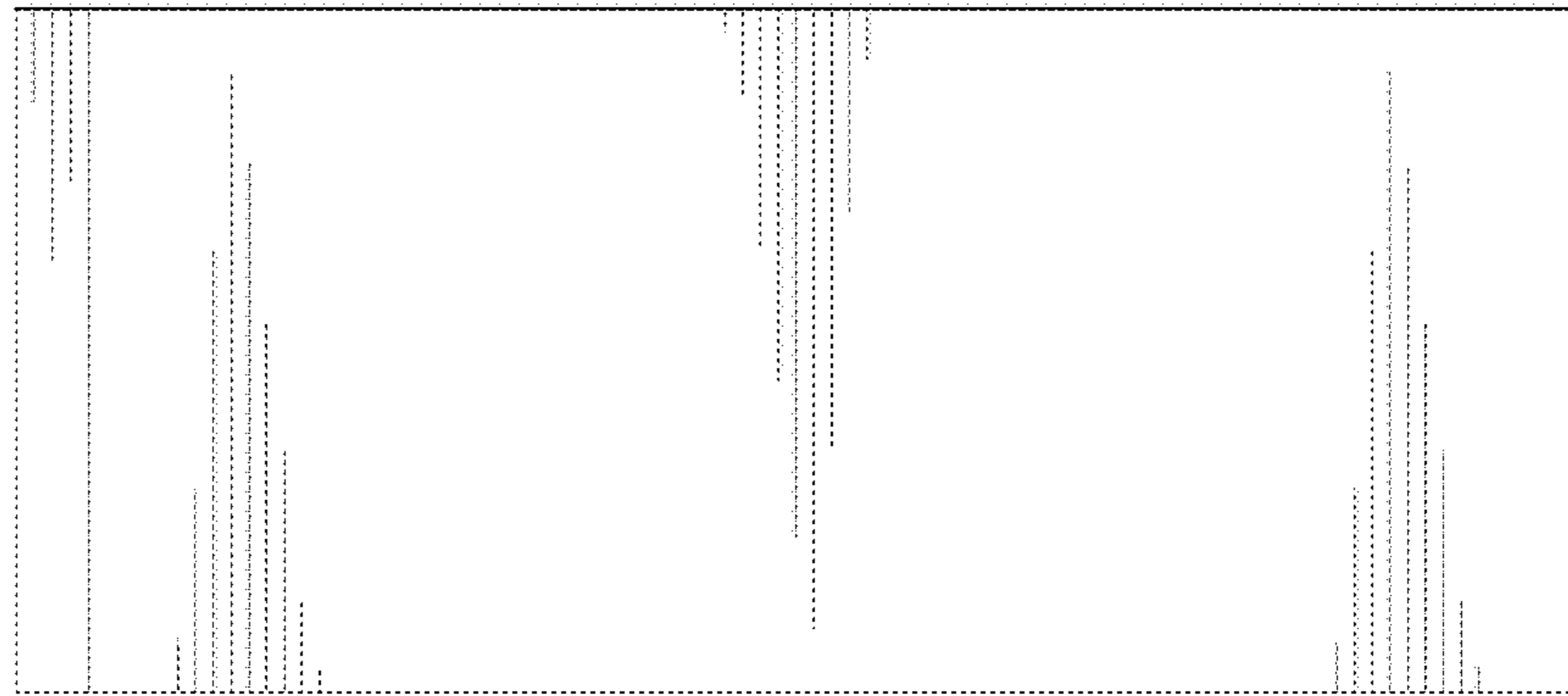


FIG. 4

