

US00D867789S

(12) **United States Design Patent**  
**Fu**

(10) **Patent No.:** **US D867,789 S**

(45) **Date of Patent:** **\*\* Nov. 26, 2019**

(54) **RECTANGULAR TABLE SET COVER**

(71) Applicant: **Zhiping Fu**, Zhejiang (CN)

(72) Inventor: **Zhiping Fu**, Zhejiang (CN)

(73) Assignee: **ZHEJIANG KANGLEYOU  
LEISURE PRODUCTS CO., LTD,**  
Zhejiang (CN)

(\*\*) Term: **15 Years**

(21) Appl. No.: **29/618,368**

(22) Filed: **Sep. 20, 2017**

(51) **LOC (12) Cl.** ..... **06-13**

(52) **U.S. Cl.**  
USPC ..... **D6/610**

(58) **Field of Classification Search**  
USPC ..... D6/601–603, 606, 608, 610–612, 617;  
D14/239, 450; D12/401, 416, 425  
CPC ..... A47C 27/001; A47C 27/002; A47C 31/10;  
A47C 31/105; A47C 31/11; A47C 31/113;  
A47C 31/116; A47C 4/28; A47C 7/02;  
A47C 7/021; A47C 7/022; A47C 7/386;  
A47C 7/42; A47C 7/68; B60N 2/60;  
B60N 2/58; B60N 2/585; B60N 2/6009  
See application file for complete search history.

(56) **References Cited**

**U.S. PATENT DOCUMENTS**

2,567,913	A *	9/1951	Webster	.....	B60N 2/6027 5/409
D280,438	S *	9/1985	Wendt	.....	4/580
4,705,084	A *	11/1987	Rodebaugh	.....	A47C 31/10 108/90
4,997,231	A *	3/1991	Smith	.....	A47D 15/00 297/183.2
D328,506	S *	8/1992	McMahon	.....	D30/118
D338,129	S *	8/1993	Miller	.....	D6/610
D377,788	S *	2/1997	Carlson	.....	D14/440

D402,845	S *	12/1998	Hanzok	.....	D6/610
D411,918	S *	7/1999	Neuman	.....	D3/276
D447,902	S *	9/2001	Black	.....	D6/610
D480,253	S *	10/2003	Raines	.....	D6/617
D481,887	S *	11/2003	Ellwanger	.....	A47G 9/0246 D6/610
D503,970	S *	4/2005	Johnson	.....	B60N 2/6027 D23/311
D507,143	S *	7/2005	Thrasher	.....	D6/611
D617,635	S *	6/2010	Gould	.....	D6/610
D623,459	S *	9/2010	Villalva	.....	D6/610

(Continued)

**OTHER PUBLICATIONS**

Ravenna Oval/Rectangular Patio Table & Chair Cover by Classic Accessories. Amazon.com. Nov. 27, 2013. <<https://www.amazon.com/Classic-Accessories-Ravenna-Rectangular-Patio/dp/B00D2VUR02/>>. Accessed on Jun. 20, 2019. (Year: 2013).\*

(Continued)

*Primary Examiner* — Kevin K Rudzinski  
*Assistant Examiner* — Clare Ann Gannon  
(74) *Attorney, Agent, or Firm* — Justin Lampel

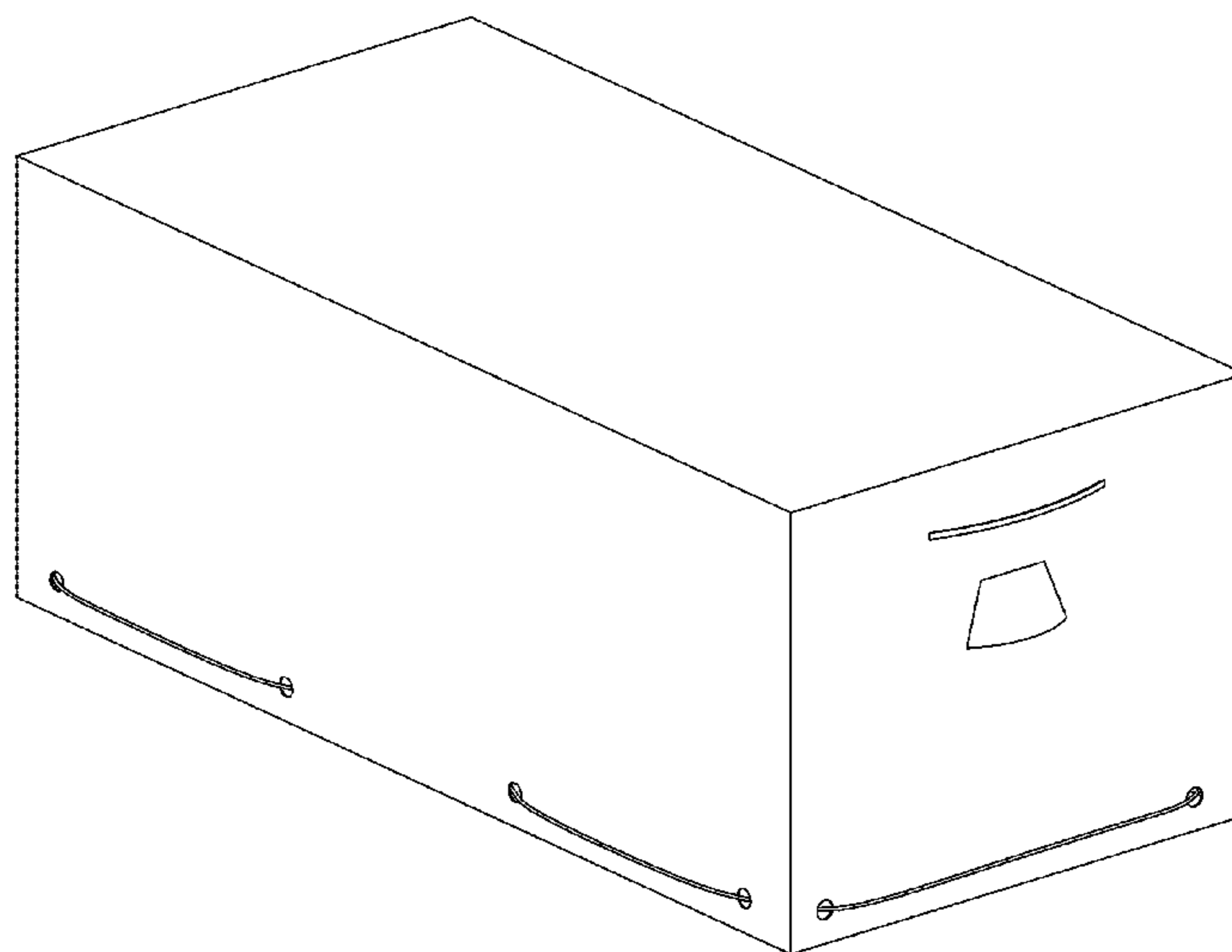
(57) **CLAIM**

The ornamental design for a rectangular table set cover, as shown and described.

**DESCRIPTION**

FIG. 1 is a perspective view of a rectangular table set cover showing my new design;  
FIG. 2 is a front elevational view thereof;  
FIG. 3 is a rear elevational view thereof;  
FIG. 4 is a right side view thereof;  
FIG. 5 is a left side view thereof;  
FIG. 6 is a bottom plan view thereof; and,  
FIG. 7 is a top plan view thereof.  
The broken lines depict portions of the article that form no part of the claimed design.

**1 Claim, 7 Drawing Sheets**



(56)

**References Cited**

U.S. PATENT DOCUMENTS

D679,647 S \* 4/2013 Tuten ..... A47C 31/10  
D12/401  
D739,164 S \* 9/2015 Wagner ..... A47C 31/10  
108/90  
D766,018 S \* 9/2016 Coward ..... A47C 7/386  
297/220  
9,492,022 B2 \* 11/2016 Nekhala ..... A47G 9/0246  
D12/401  
2006/0103195 A1 \* 5/2006 Stanley ..... A47C 7/386  
297/220  
2008/0028522 A1 \* 2/2008 Atwood ..... A47G 9/0246  
5/496  
2009/0126109 A1 \* 5/2009 Lee ..... A47C 31/10  
5/421

OTHER PUBLICATIONS

“The Better Outdoor Furniture Covers” by hammacherschlem-merco. Youtube.com. Aug. 8, 2017 . . . Accessed on Jun. 21, 2018 (Year: 2017).\*

Rectangle Furniture Cover by CoverShield. Sears. Apr. 1, 2015. <<https://www.sears.com/covershield-rectangle-furniture-cover-deluxe/p-07130403000P>>. Accessed on Aug. 23, 2018.\*

\* cited by examiner

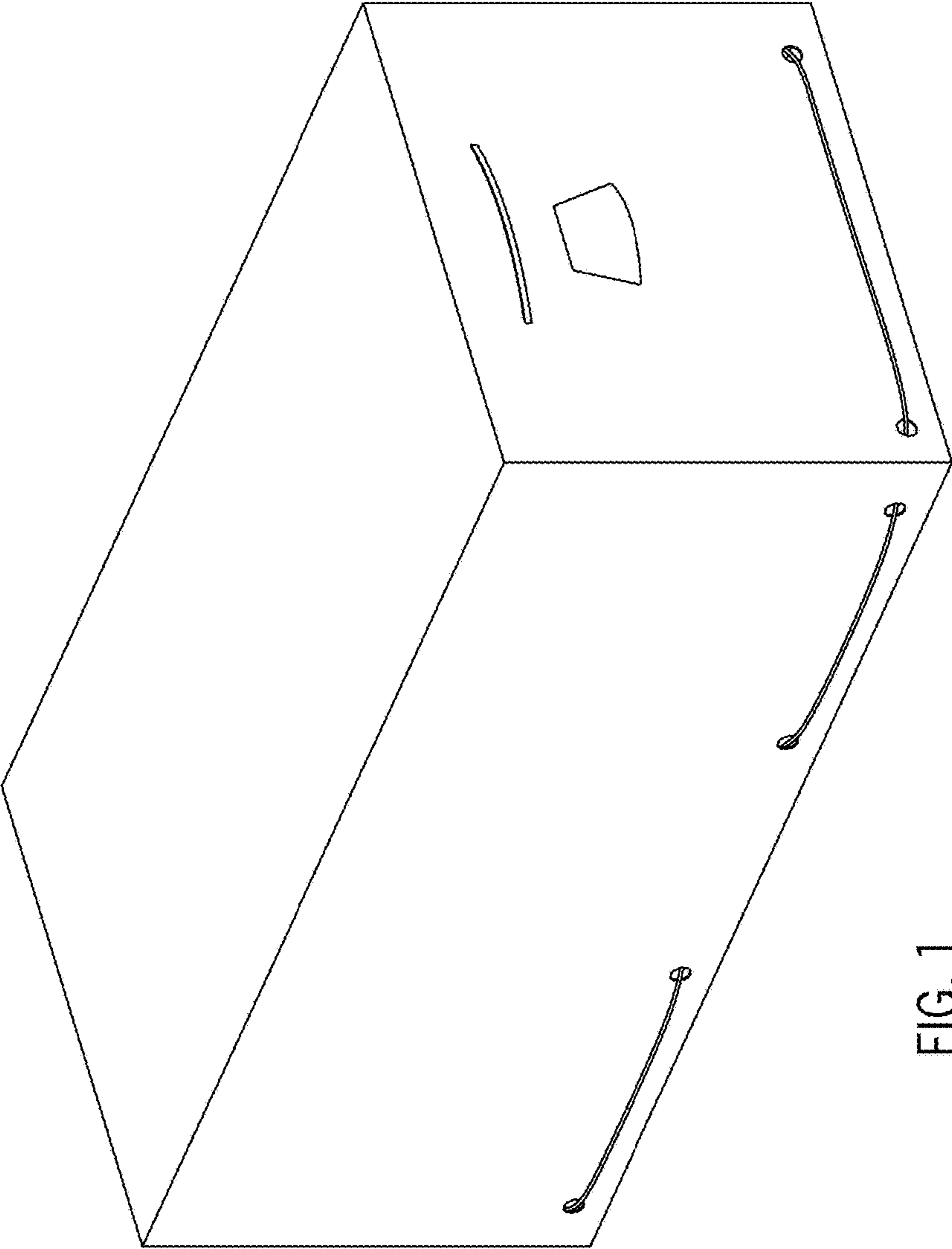


FIG. 1

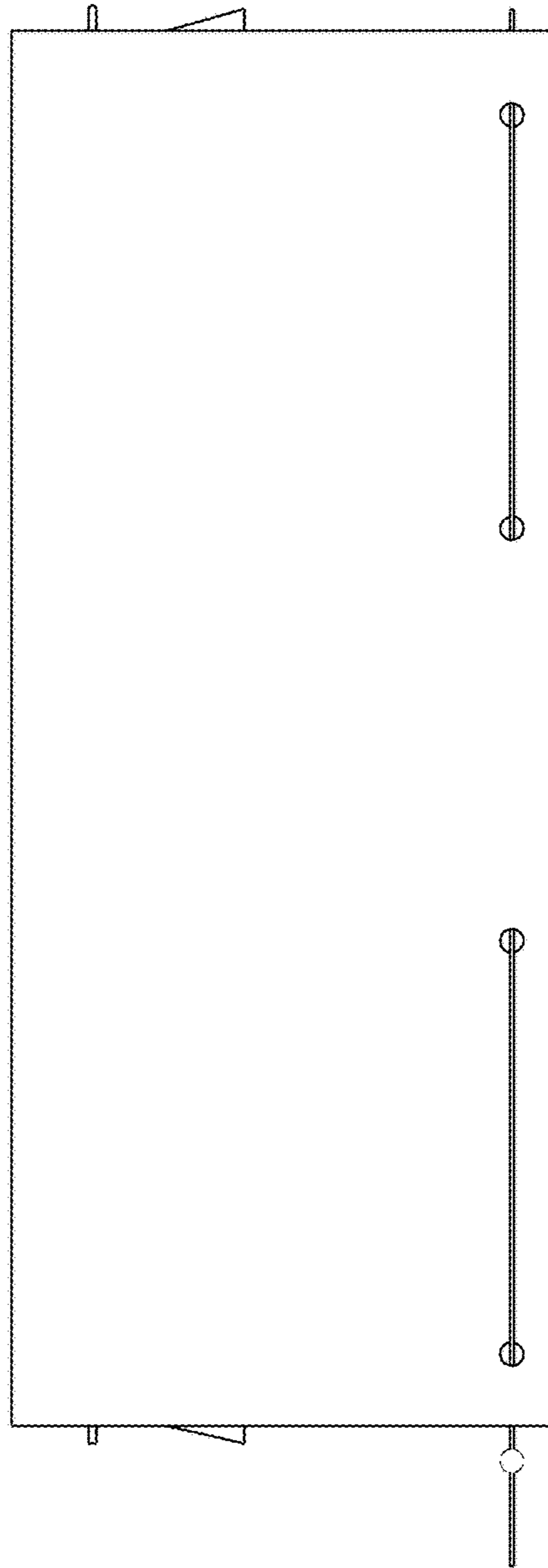


FIG. 2

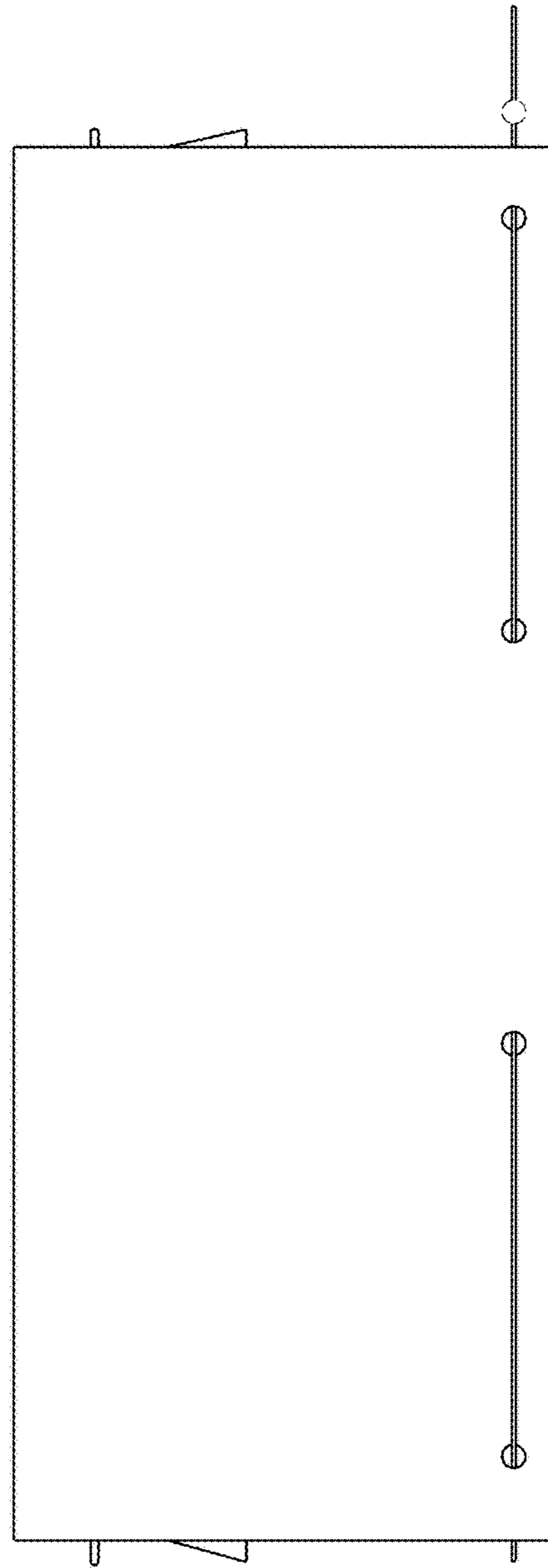


FIG. 3

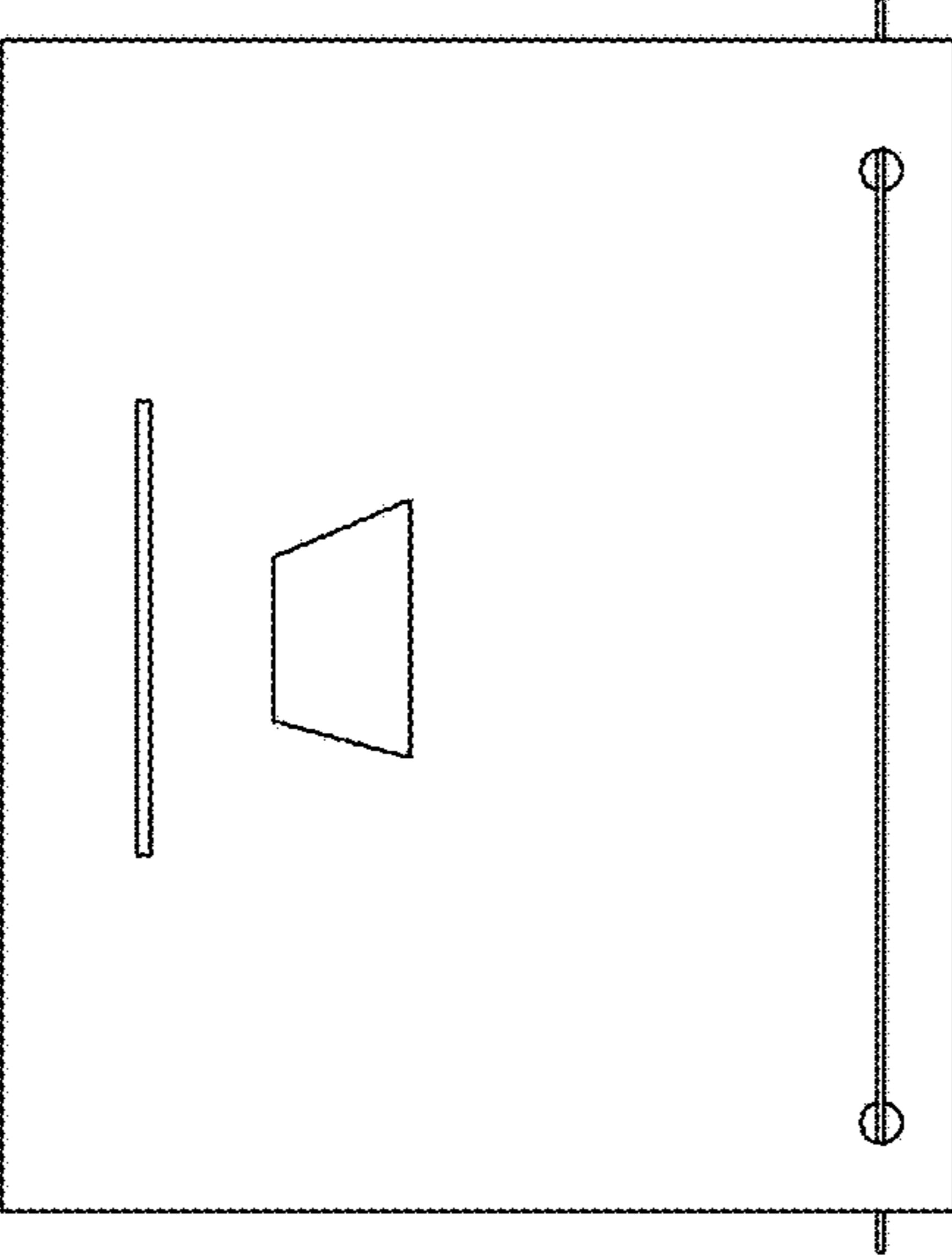


FIG. 4

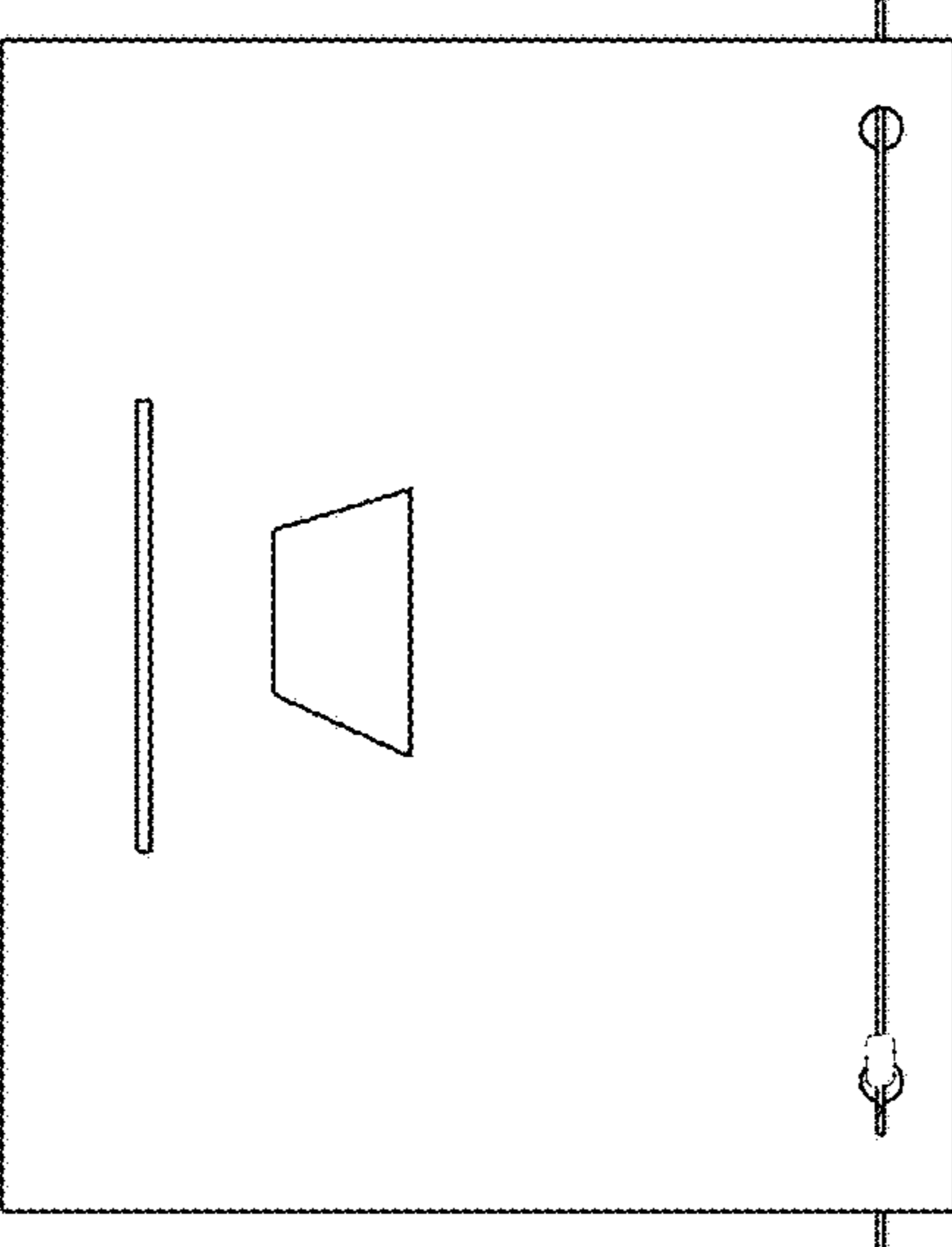


FIG. 5

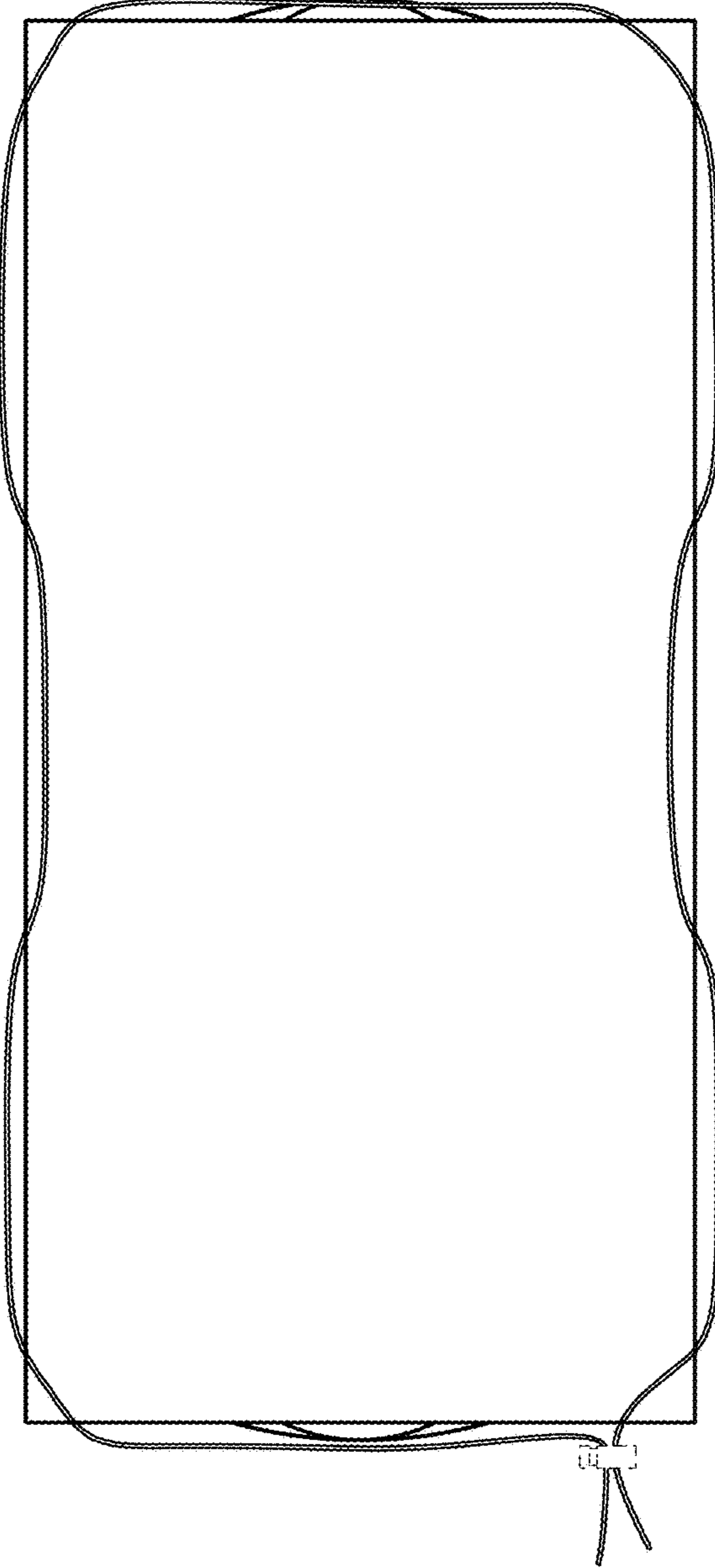


FIG. 6



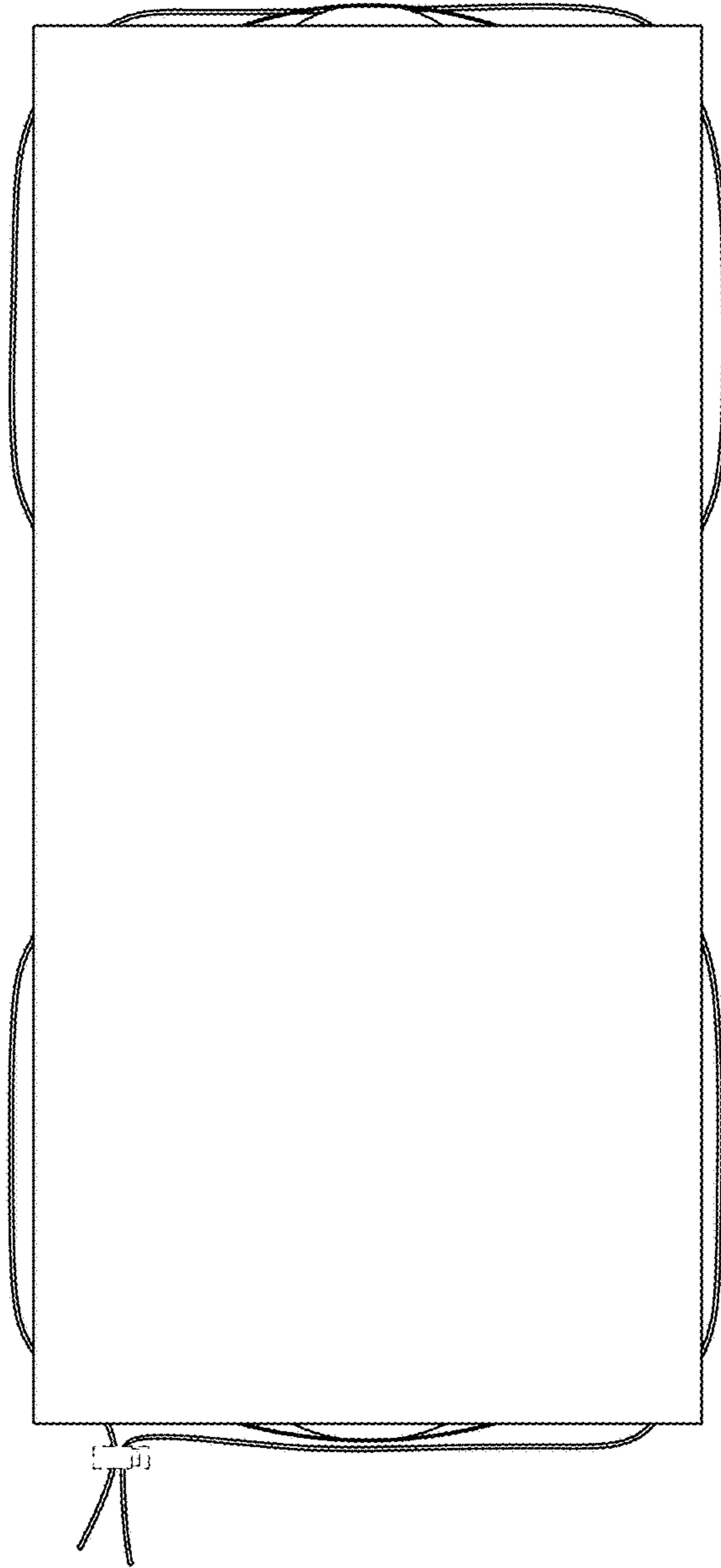


FIG. 7