

US00D867783S

(12) **United States Design Patent** (10) **Patent No.:** **US D867,783 S**
West (45) **Date of Patent:** **** Nov. 26, 2019**

(54) **SLEIGH BED**

(71) Applicant: **La-Z-Boy Incorporated**, Monroe, MI (US)

(72) Inventor: **Haywood Lynn West**, High Point, NC (US)

(73) Assignee: **La-Z-Boy Incorporated**, Monroe, MI (US)

(**) Term: **15 Years**

(21) Appl. No.: **29/643,123**

(22) Filed: **Apr. 4, 2018**

(51) **LOC (12) Cl.** **06-02**

(52) **U.S. Cl.**
USPC **D6/393; D6/718.24**

(58) **Field of Classification Search**
USPC D6/382-385, 389, 393-395, 718.13, D6/718.24
CPC A47C 17/00; A47C 19/00; A47C 19/02; A47C 19/022
See application file for complete search history.

(56) **References Cited**

U.S. PATENT DOCUMENTS

D466,716 S	*	12/2002	Tobin, Jr.	D6/393
D524,074 S	*	7/2006	Mohundro	D6/393
D525,046 S	*	7/2006	Mohundro	D6/393
D542,051 S	*	5/2007	Boerner	D6/393
D542,566 S	*	5/2007	Boerner	D6/393
D543,051 S	*	5/2007	Kingsley	D6/393
D657,972 S	*	4/2012	Cressman	D6/393
D767,914 S	*	10/2016	Burden	D6/393

(Continued)

OTHER PUBLICATIONS

Rubio Country Espresso Platform Storage Bed by FOA, Overstock, review date of Aug. 12, 2016, site visited Jun. 28, 2019, available

online at <https://www.overstock.com/Home-Garden/Rubio-Country-Espresso-Platform-Storage-Bed-by-FOA/11441996/product.html?refccid=EZA5XZ6WGHRL> (Year: 2016).*

Primary Examiner — Cathron C Brooks
(74) *Attorney, Agent, or Firm* — Harness, Dickey & Pierce, P.L.C.

(57) **CLAIM**

The ornamental design for a sleigh bed, as shown and described.

DESCRIPTION

The patent or application file contains at least one drawing executed in color. Copies of this patent or patent application publication with color drawing(s) will be provided by the Office upon request and payment of the necessary fee.

FIG. 1 is a front perspective view illustrating a sleigh bed in accordance with the present invention;

FIG. 2 is a side elevational view of the sleigh bed of FIG. 1, the opposite side being a mirror image thereof;

FIG. 3 is a top plan view of the sleigh bed design of FIG. 1, the bottom view of the sleigh bed is not shown as it forms no part of the claimed design;

FIG. 4 is a front elevational view of the sleigh bed of FIG. 1;

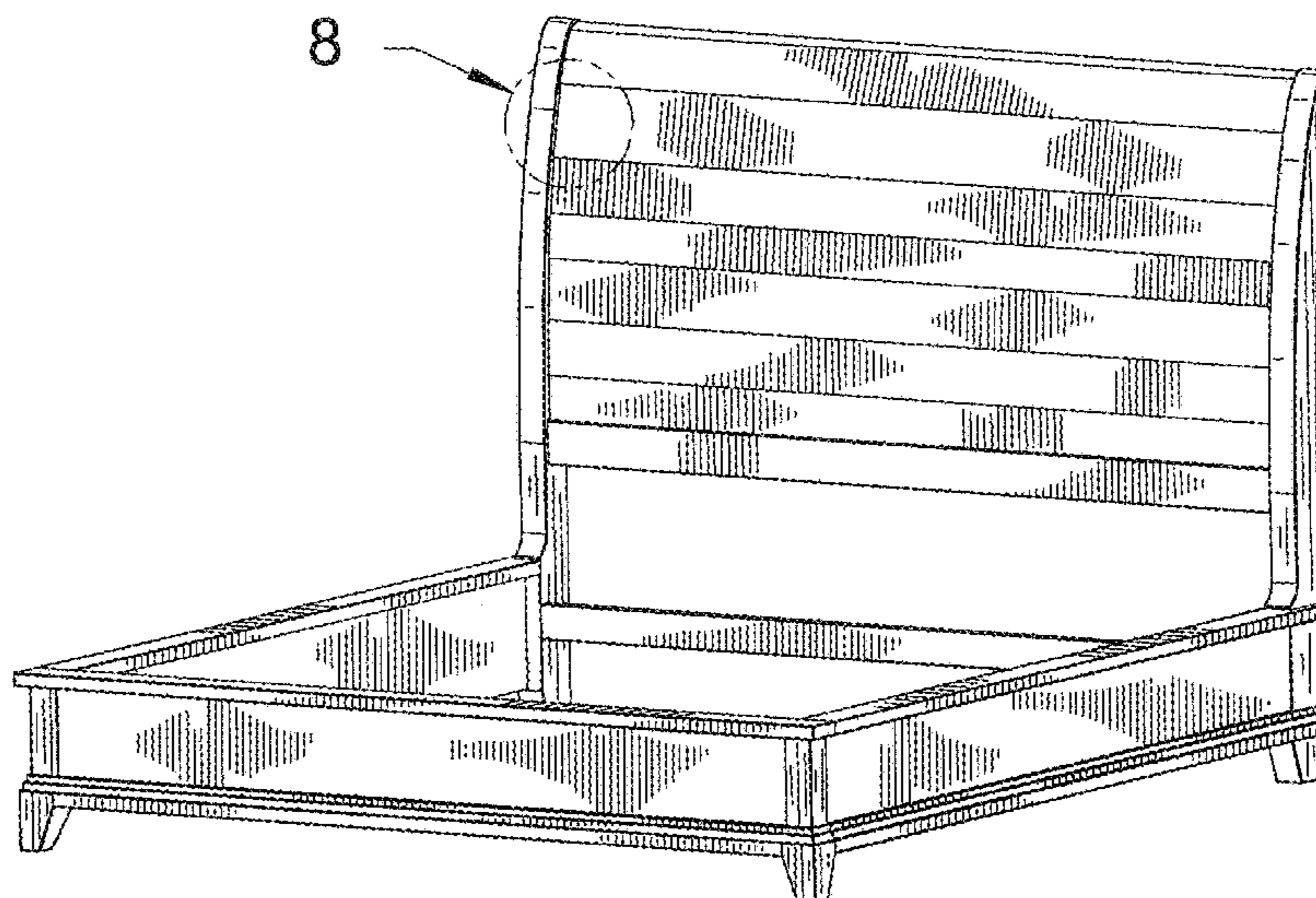
FIG. 5 is a rear elevational view of the sleigh bed of FIG. 1; FIG. 6 is a front perspective view of a second embodiment of the design;

FIG. 7 is a front perspective view of a third embodiment of the design; and,

FIG. 8 is an enlarged partial view of the portion identified in FIG. 1.

The woodgrain pattern shown in the partial view of FIG. 8 is representative of woodgrain that exists throughout the horizontal boards of the headboard. The vertical broken lines shown in this area are representative of saw cross-cut marks, and form no part of the claimed design.

1 Claim, 7 Drawing Sheets
(2 of 7 Drawing Sheet(s) Filed in Color)



(56)

References Cited

U.S. PATENT DOCUMENTS

D789,702 S * 6/2017 Everson D6/393
D791,495 S * 7/2017 Everson D6/393

* cited by examiner

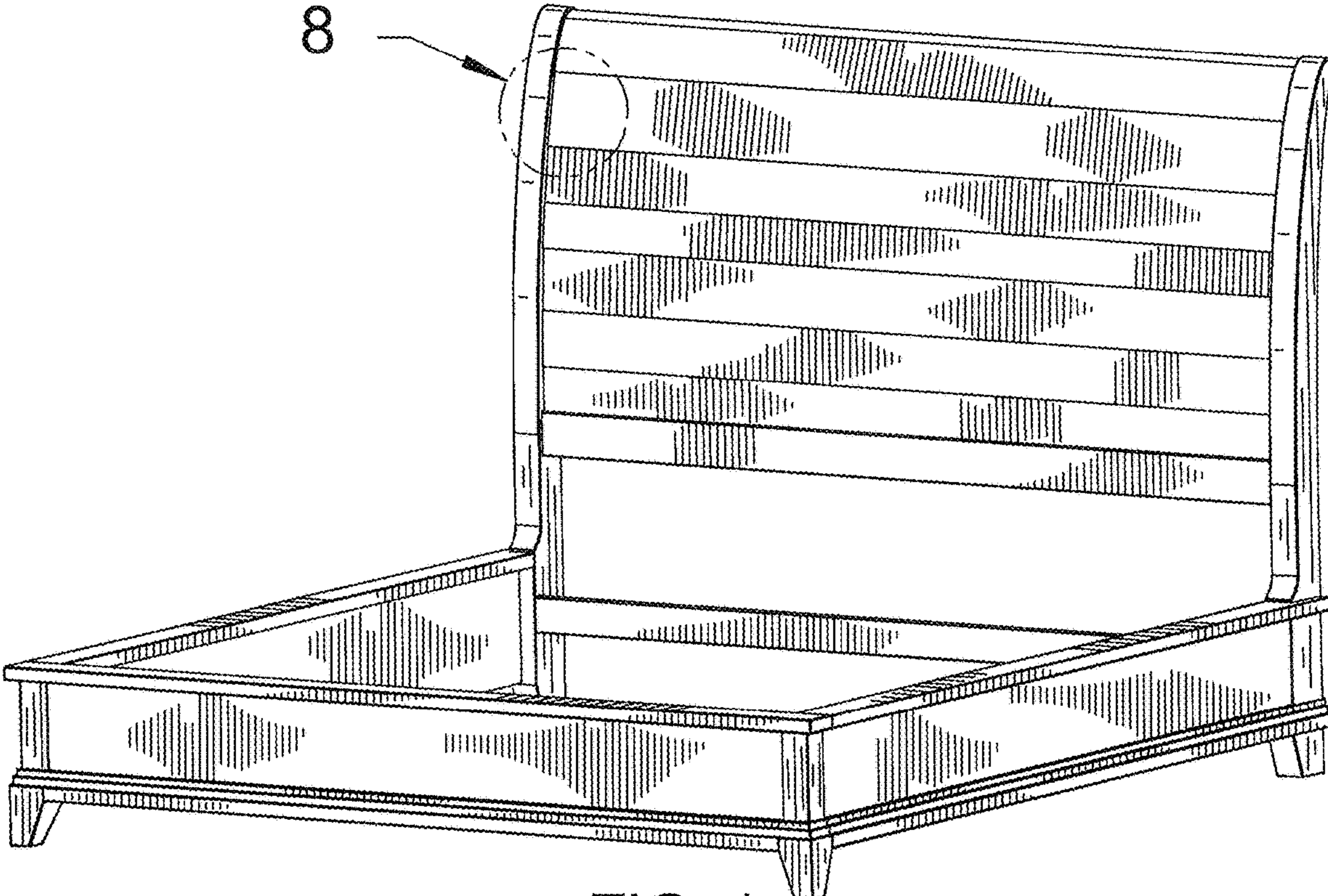


FIG. 1

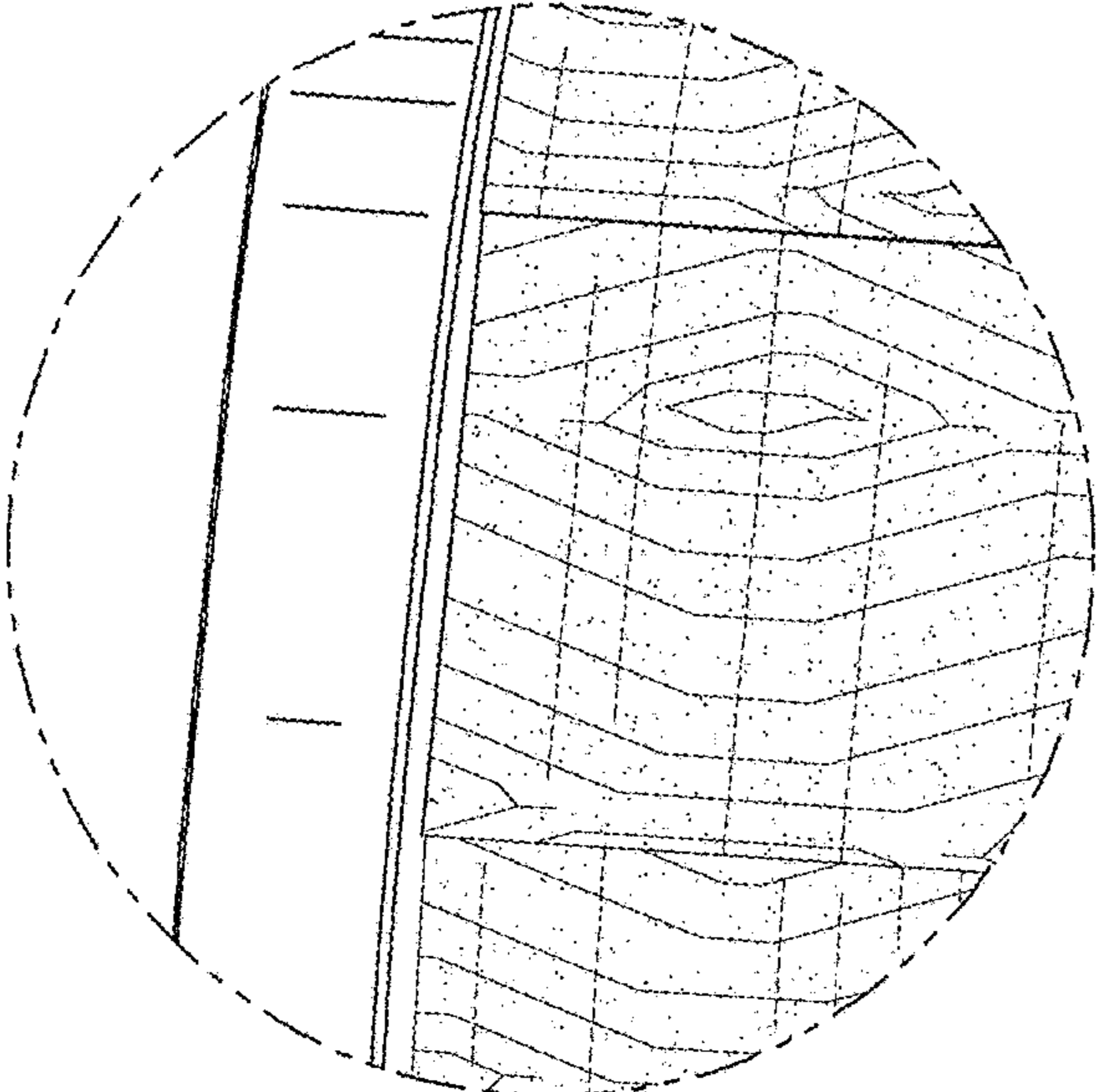


FIG. 8

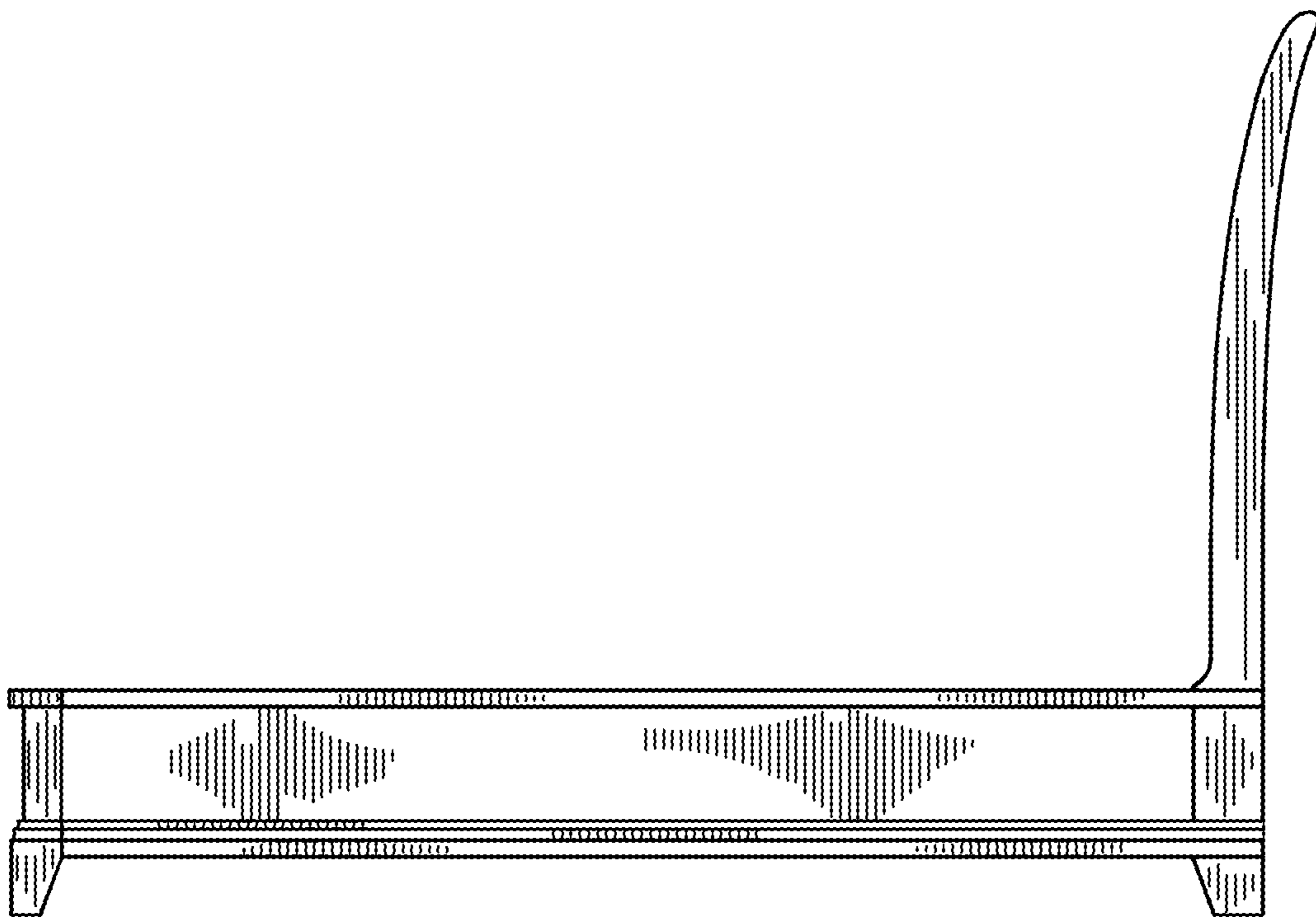


FIG. 2

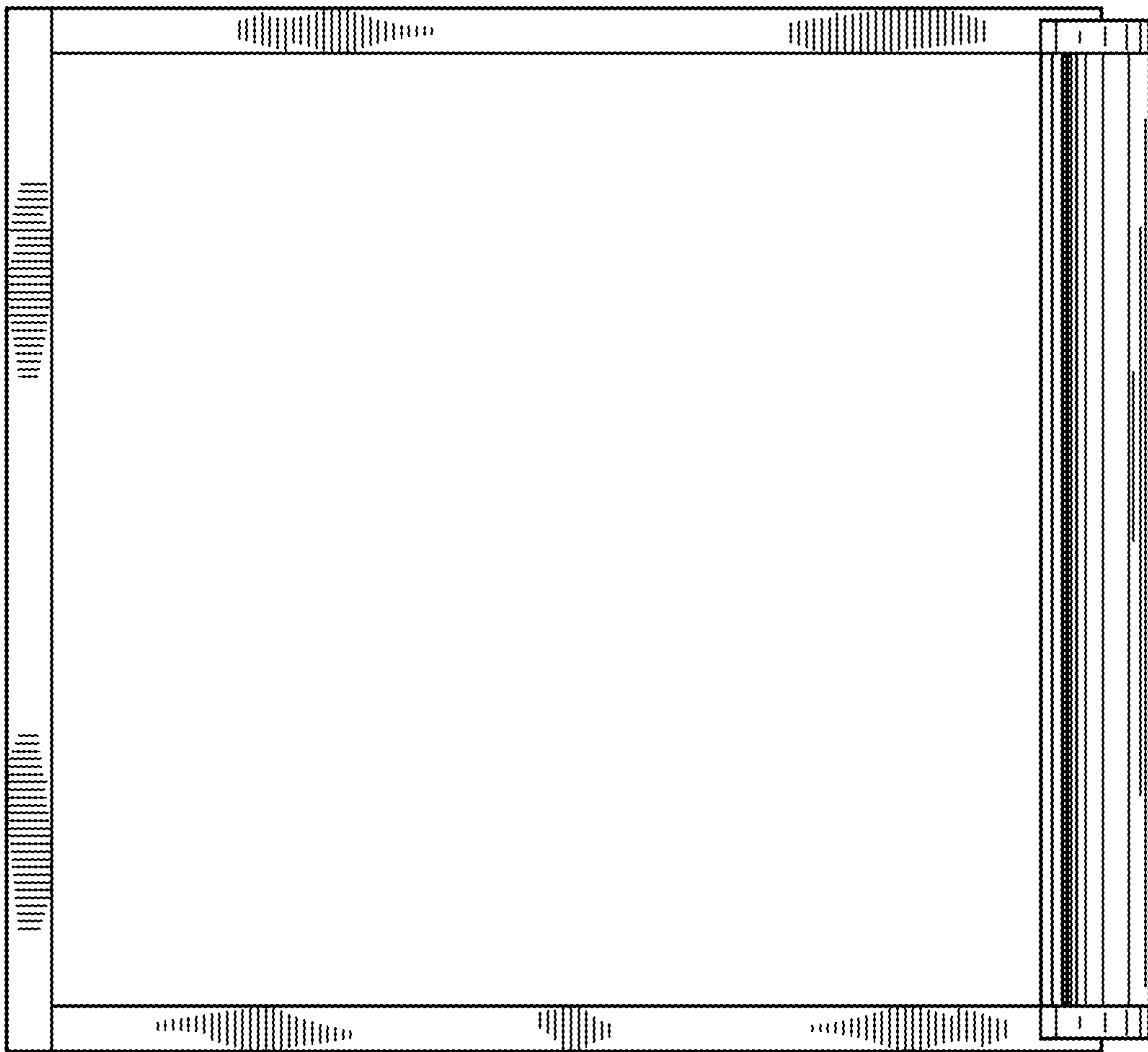


FIG. 3

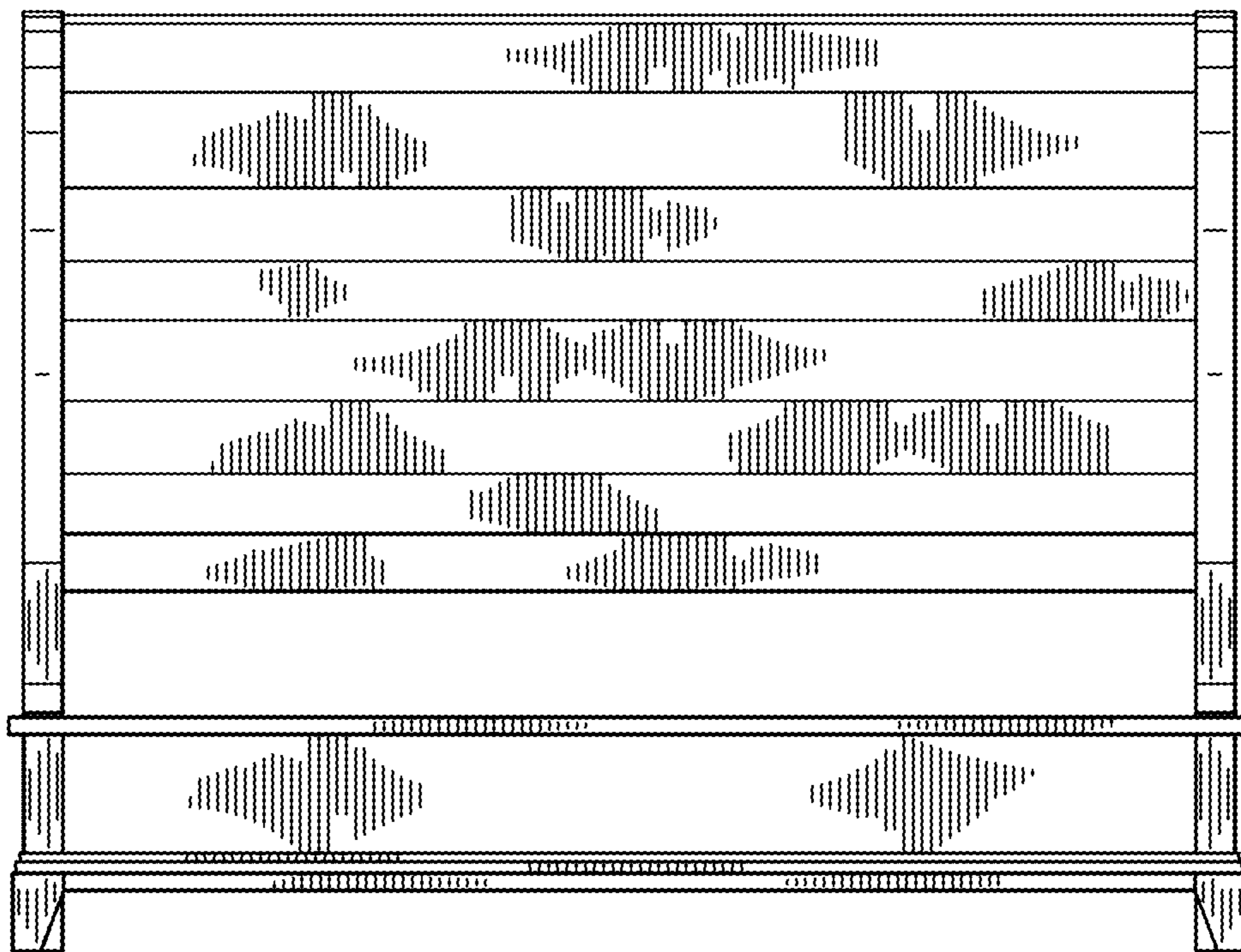


FIG. 4

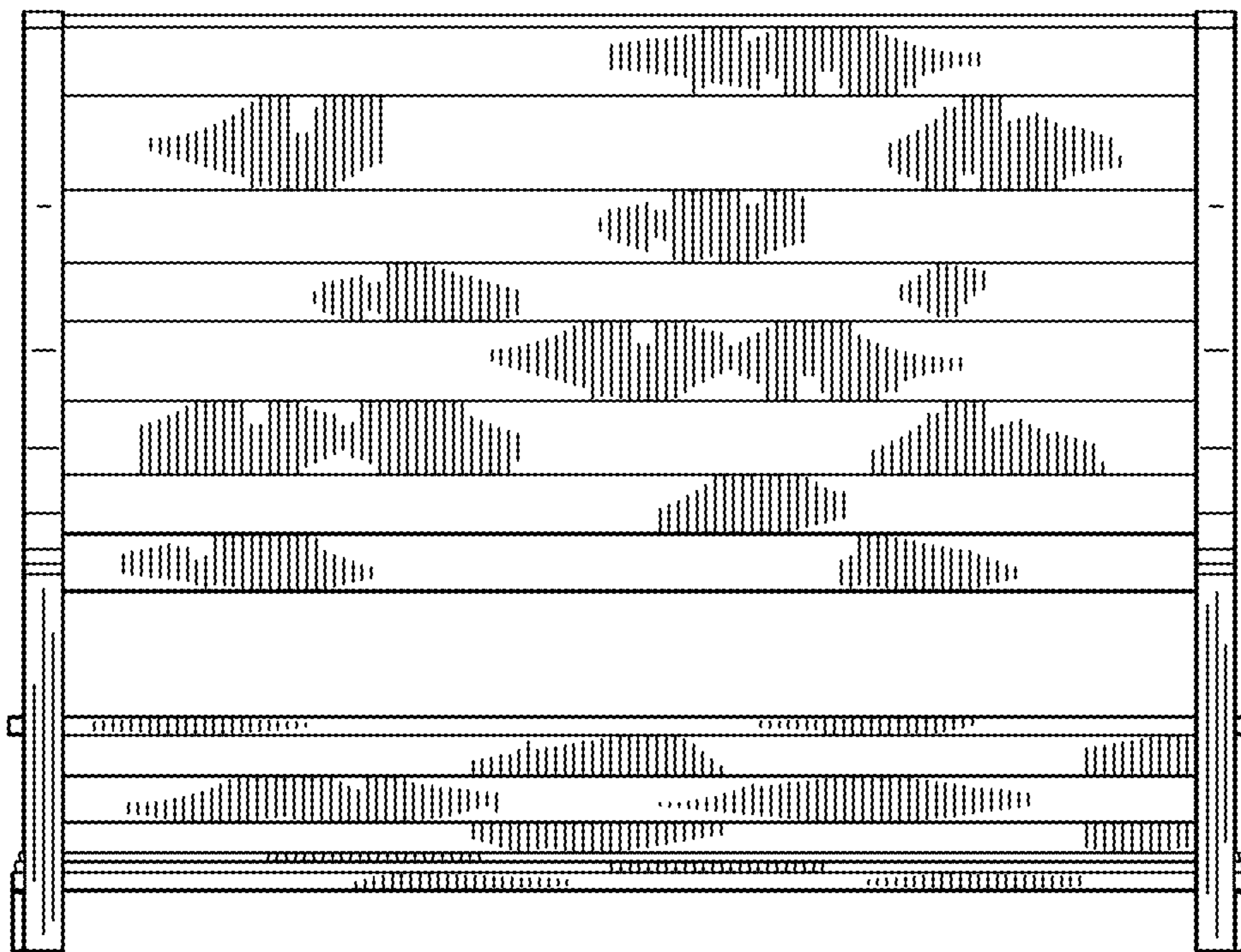


FIG. 5

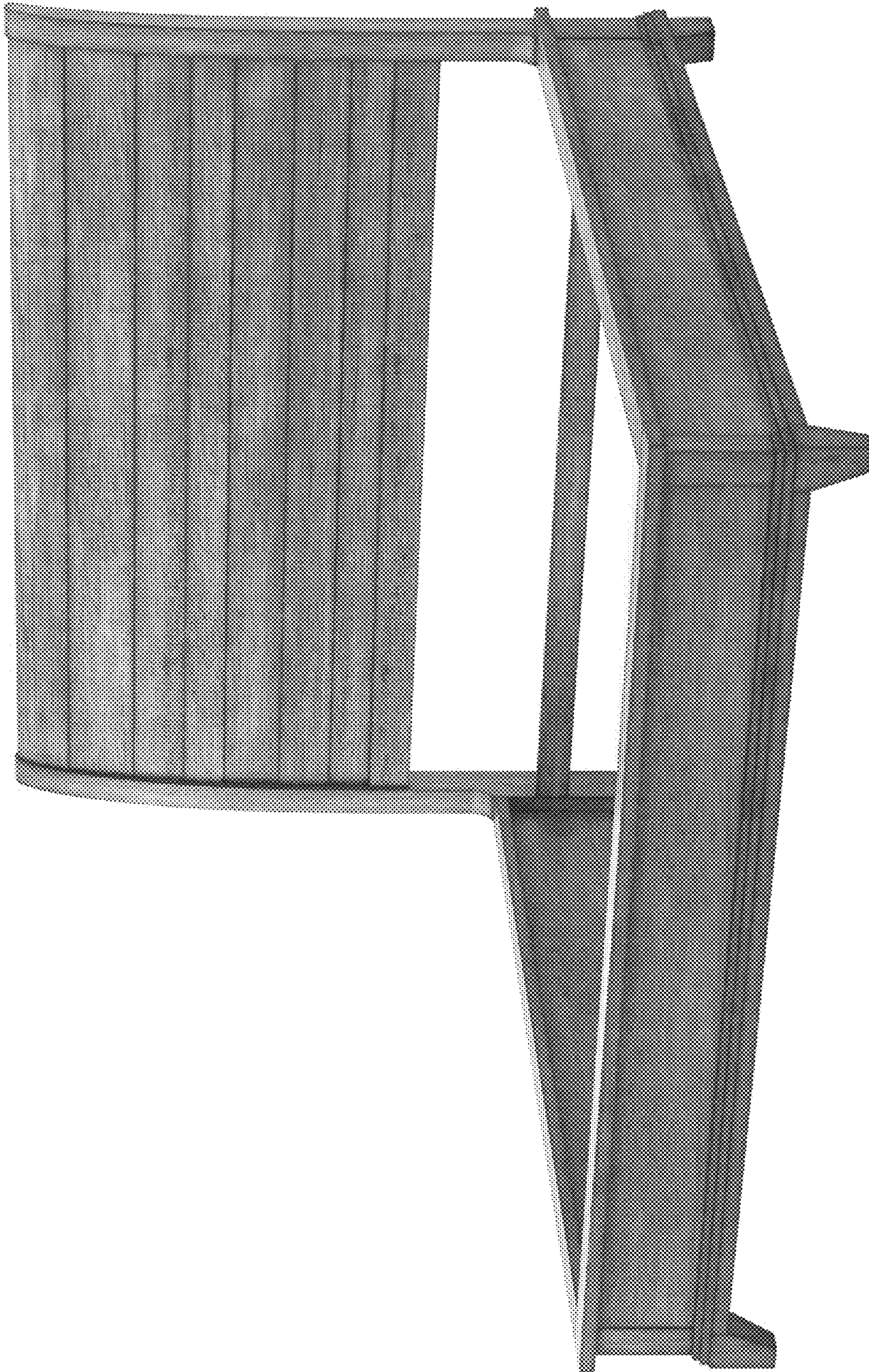


FIG. 6



FIG. 7