



US00D867781S

(12) **United States Design Patent** (10) **Patent No.:** **US D867,781 S**  
**Jeidel** (45) **Date of Patent:** **\*\* Nov. 26, 2019**

- (54) **CONVERTIBLE BED AND SUITCASE**
- (71) Applicant: **Milliard Enterprises Limited Liability Company**, Lakewood, NJ (US)
- (72) Inventor: **Rivka Jeidel**, Lakewood, NJ (US)
- (73) Assignee: **Milliard Enterprises Limited Liability Company**, Lakewood, NJ (US)
- (\*\*) Term: **15 Years**
- (21) Appl. No.: **29/645,114**
- (22) Filed: **Apr. 24, 2018**
- (51) **LOC (12) Cl.** ..... **06-02**
- (52) **U.S. Cl.**  
USPC ..... **D6/383; D3/274**
- (58) **Field of Classification Search**  
USPC ..... D6/382-384, 390-392; D3/272, 273,  
D3/274, 299  
CPC ..... A47C 17/64; A47C 17/70; A47C 17/74;  
A47C 19/12; A47C 19/005; A47C 9/005;  
A47D 7/002  
See application file for complete search history.

*Primary Examiner* — Cathron C Brooks  
(74) *Attorney, Agent, or Firm* — William G. Heedy; The Van Winkle Law Firm

(57) **CLAIM**

The ornamental design for a convertible bed and suitcase, as shown and described.

**DESCRIPTION**

FIG. 1 is a perspective view of the convertible bed and suitcase in a closed configuration;  
 FIG. 2 is a front elevational view thereof;  
 FIG. 3 is a rear elevational view thereof;  
 FIG. 4 is a right side elevational view thereof;  
 FIG. 5 is a left side elevational view thereof;  
 FIG. 6 is a top plan view thereof;  
 FIG. 7 is a bottom plan view thereof;  
 FIG. 8 is a perspective view illustrating the convertible bed and suitcase in between the closed configuration and an open configuration;  
 FIG. 9 is a perspective view of the convertible bed and suitcase in the open configuration;  
 FIG. 10 is front elevational view thereof;  
 FIG. 11 is a rear elevational view thereof;  
 FIG. 12 is a right side elevational view thereof;  
 FIG. 13 is a left side elevational view thereof;  
 FIG. 14 is a top plan view thereof; and,  
 FIG. 15 is a bottom plan view thereof.

In the drawings, the broken lines showing a handle wrap in FIGS. 1-6 form no part of the claimed design.  
 In the drawings, the broken lines on the exterior in FIGS. 1-3, not associated with the handle wrap, depict stitching and form no part of the claimed design.  
 In the drawings, the broken lines on the interior in FIGS. 8-11 depict boundaries of the claimed design, and form no part thereof.

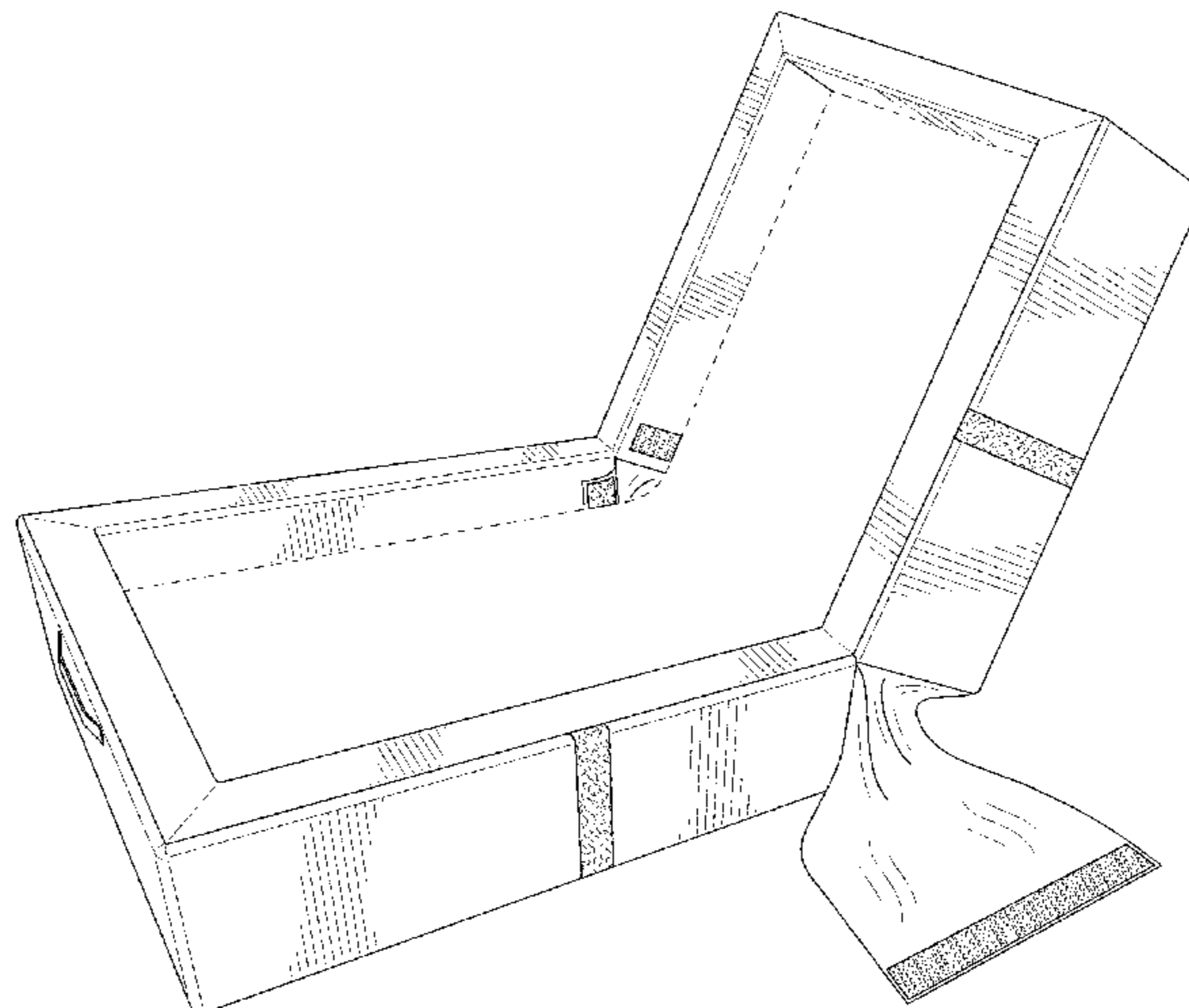
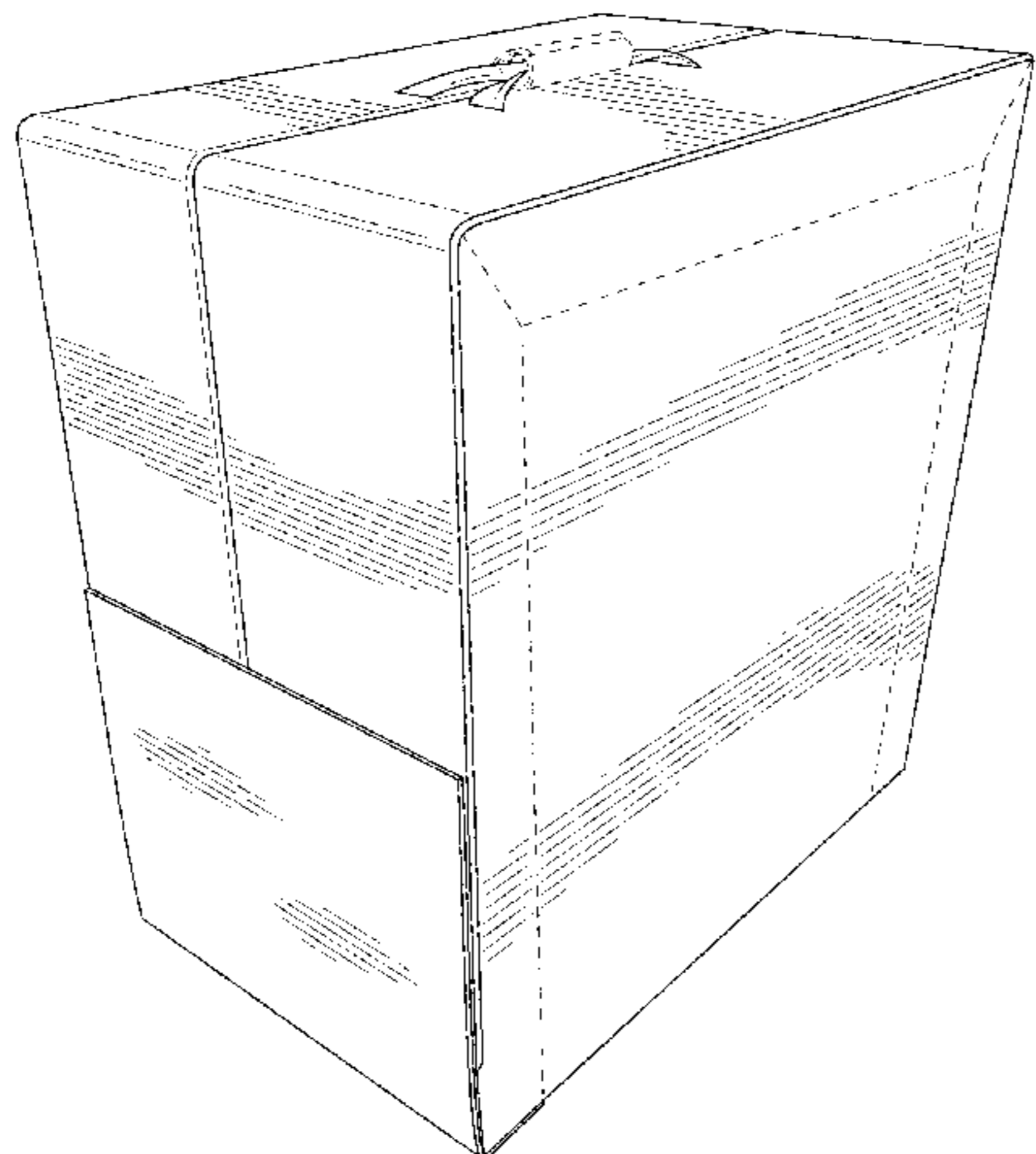
(56) **References Cited**

**U.S. PATENT DOCUMENTS**

- 2,626,407 A \* 1/1953 Kurry ..... A47D 9/005  
5/655
- 2,672,628 A \* 3/1954 Spanel ..... A47D 7/002  
4/547
- D263,659 S \* 4/1982 Cohen ..... 5/915
- 4,742,900 A \* 5/1988 Boxhammer ..... A47C 17/82  
190/2
- 4,999,863 A \* 3/1991 Kane ..... A45C 9/00  
190/2
- 5,115,524 A \* 5/1992 Antosko ..... A47D 9/005  
229/103
- 5,611,414 A \* 3/1997 Walker ..... A47C 17/82  
190/2
- 5,813,558 A \* 9/1998 Burke ..... A45C 9/00  
220/23.83
- D404,213 S \* 1/1999 Gursky ..... D6/383

(Continued)

**1 Claim, 13 Drawing Sheets**



(56)

**References Cited**

U.S. PATENT DOCUMENTS

6,026,525 A \* 2/2000 Davis ..... A47D 7/002  
5/655  
D443,997 S \* 6/2001 Stout ..... D6/384  
D444,948 S \* 7/2001 Buchanan ..... D3/276  
D490,122 S \* 5/2004 Box ..... D21/520  
D502,811 S \* 3/2005 Premper ..... D3/273  
6,951,035 B2 \* 10/2005 Kinchen ..... A47C 16/04  
5/420  
D602,253 S \* 10/2009 Rees ..... D3/272  
D636,622 S \* 4/2011 Quinter ..... D6/595  
8,875,854 B2 \* 11/2014 Zuckerman ..... A45C 5/03  
190/2  
9,107,519 B2 \* 8/2015 Clark ..... A47G 9/08  
9,901,164 B2 \* 2/2018 Houston et al. .... A45F 4/02  
D814,310 S \* 4/2018 Volpe ..... D9/642  
2016/0037884 A1 \* 2/2016 Teodorescu ..... A45C 5/03  
190/2  
2017/0071355 A1 \* 3/2017 Oh ..... A47C 19/005

\* cited by examiner

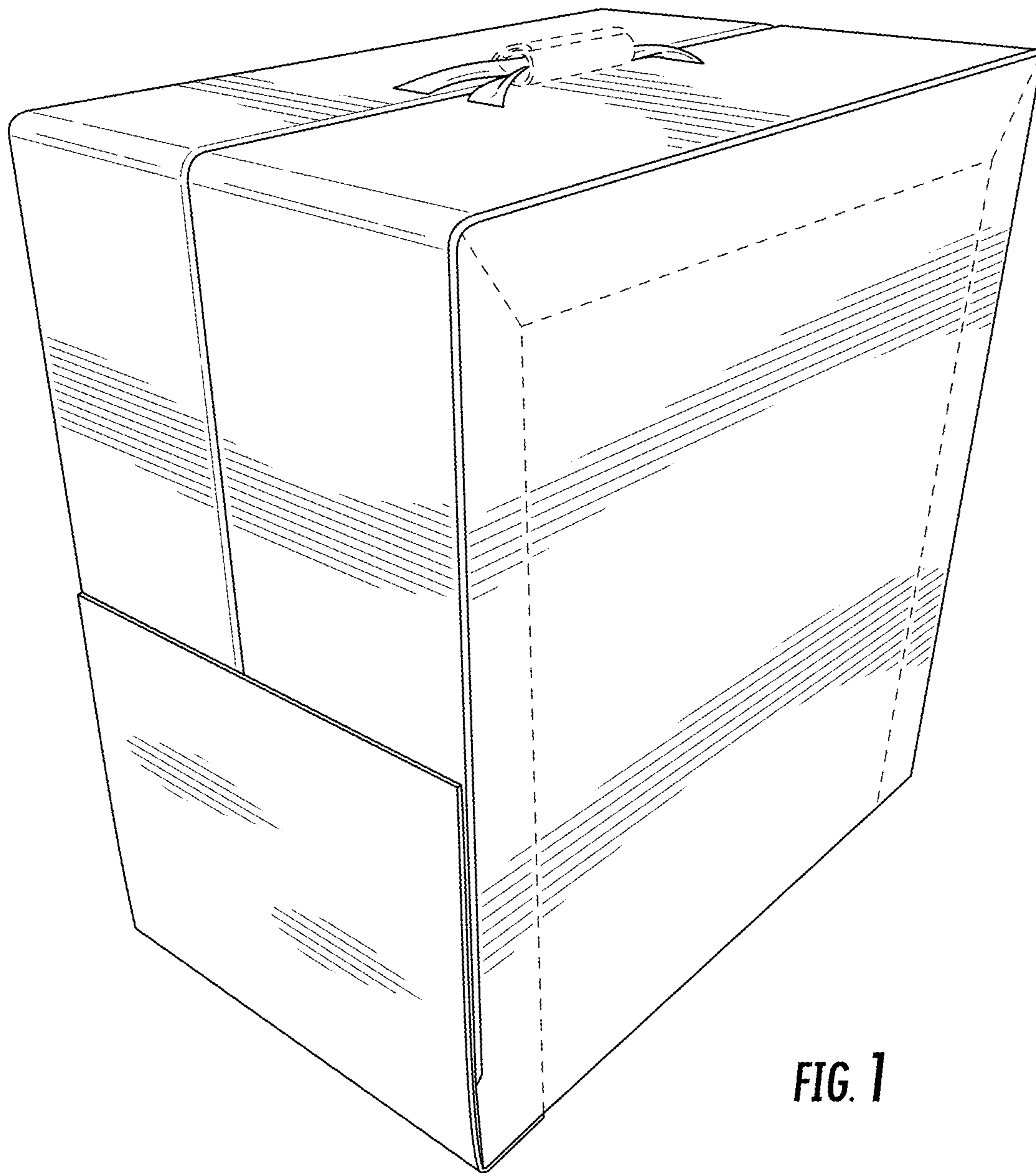


FIG. 1

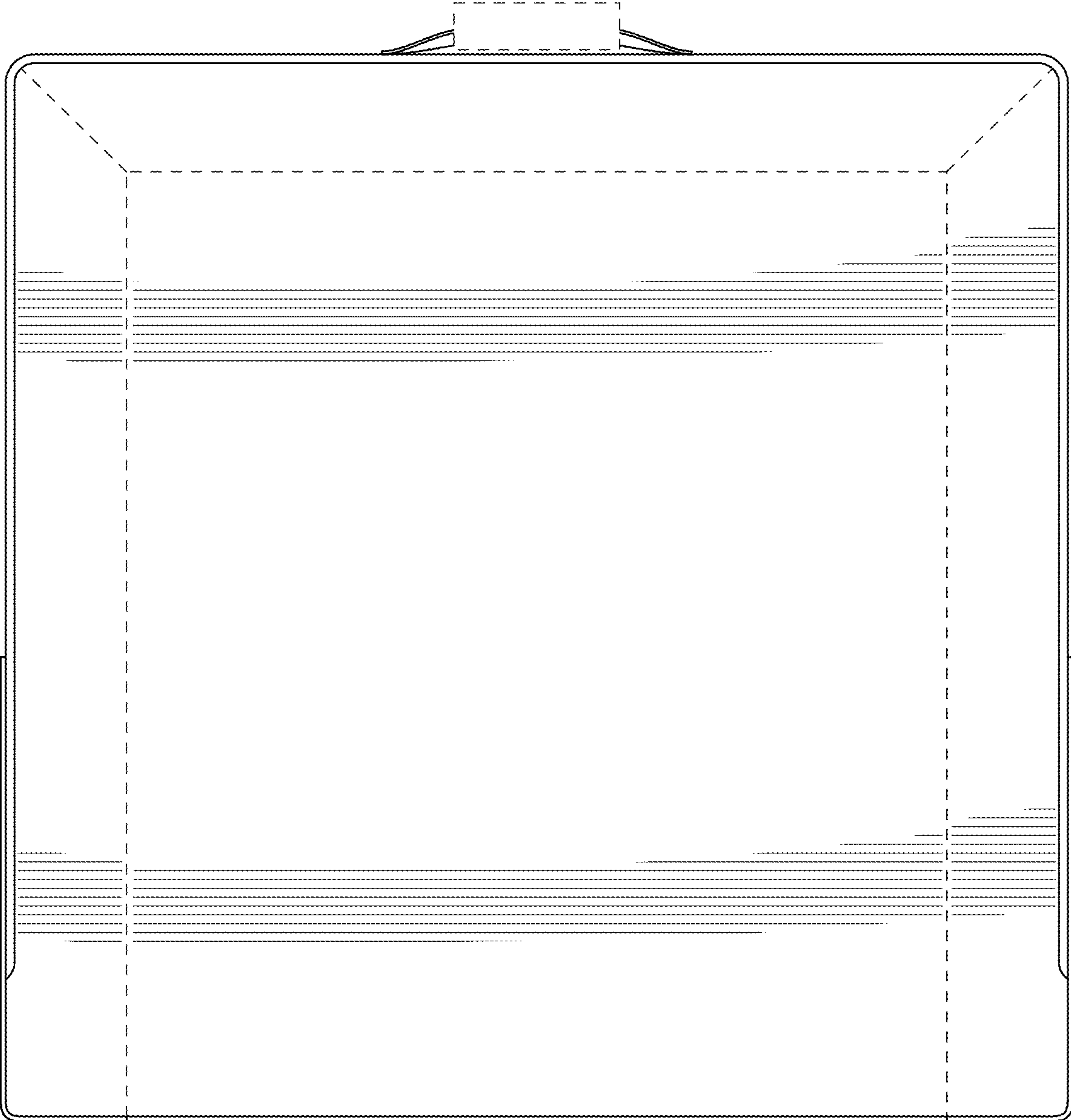
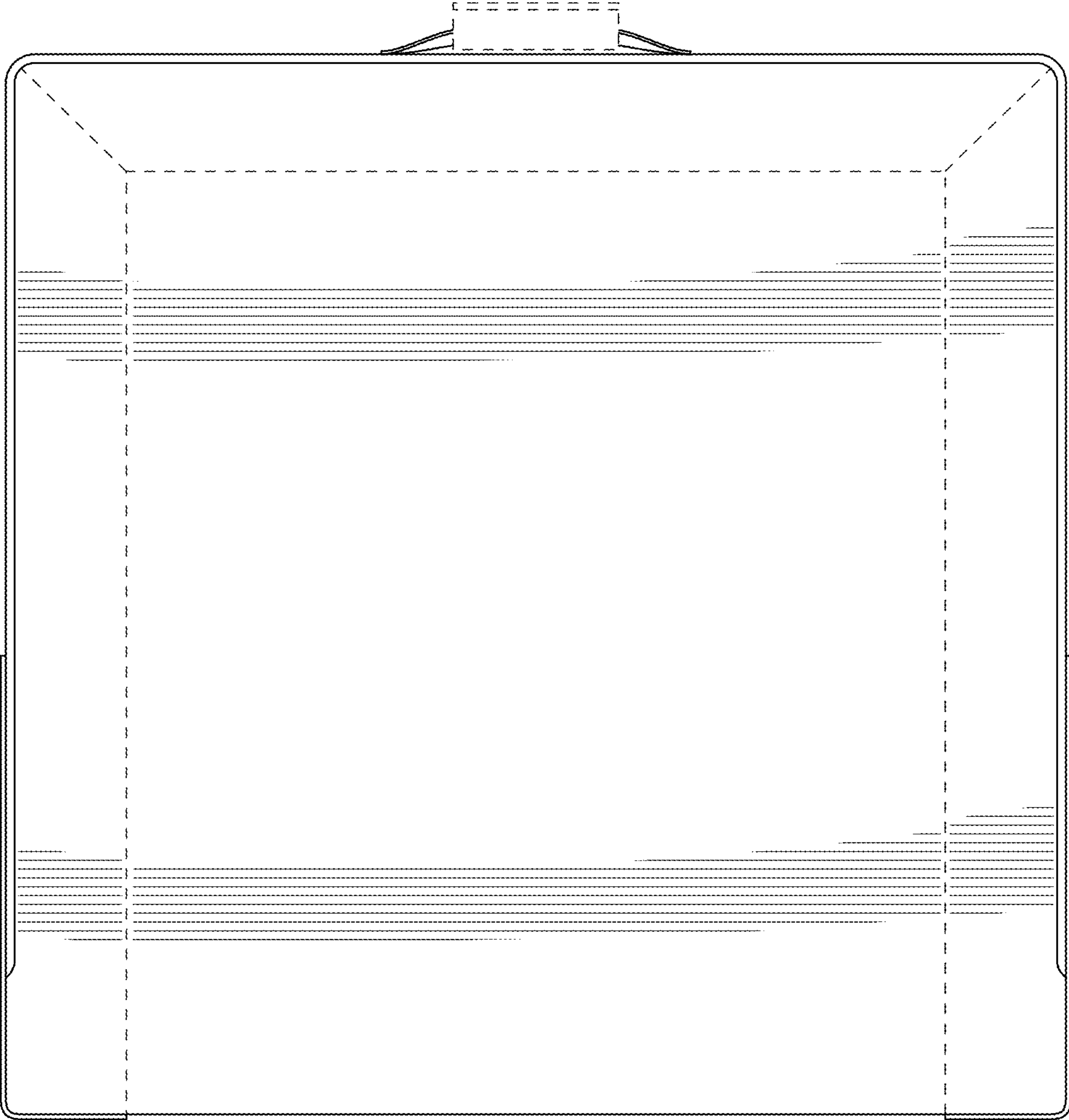
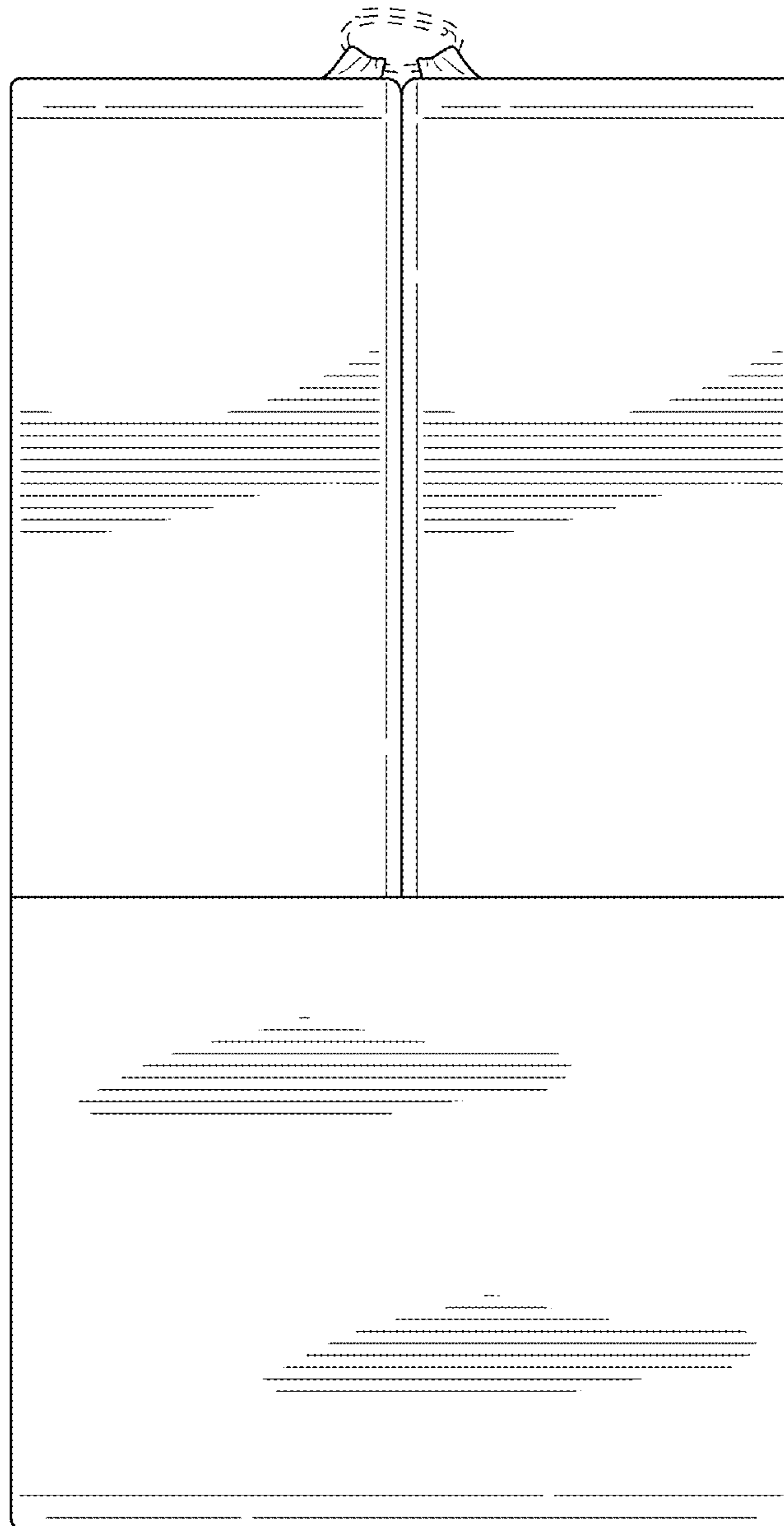


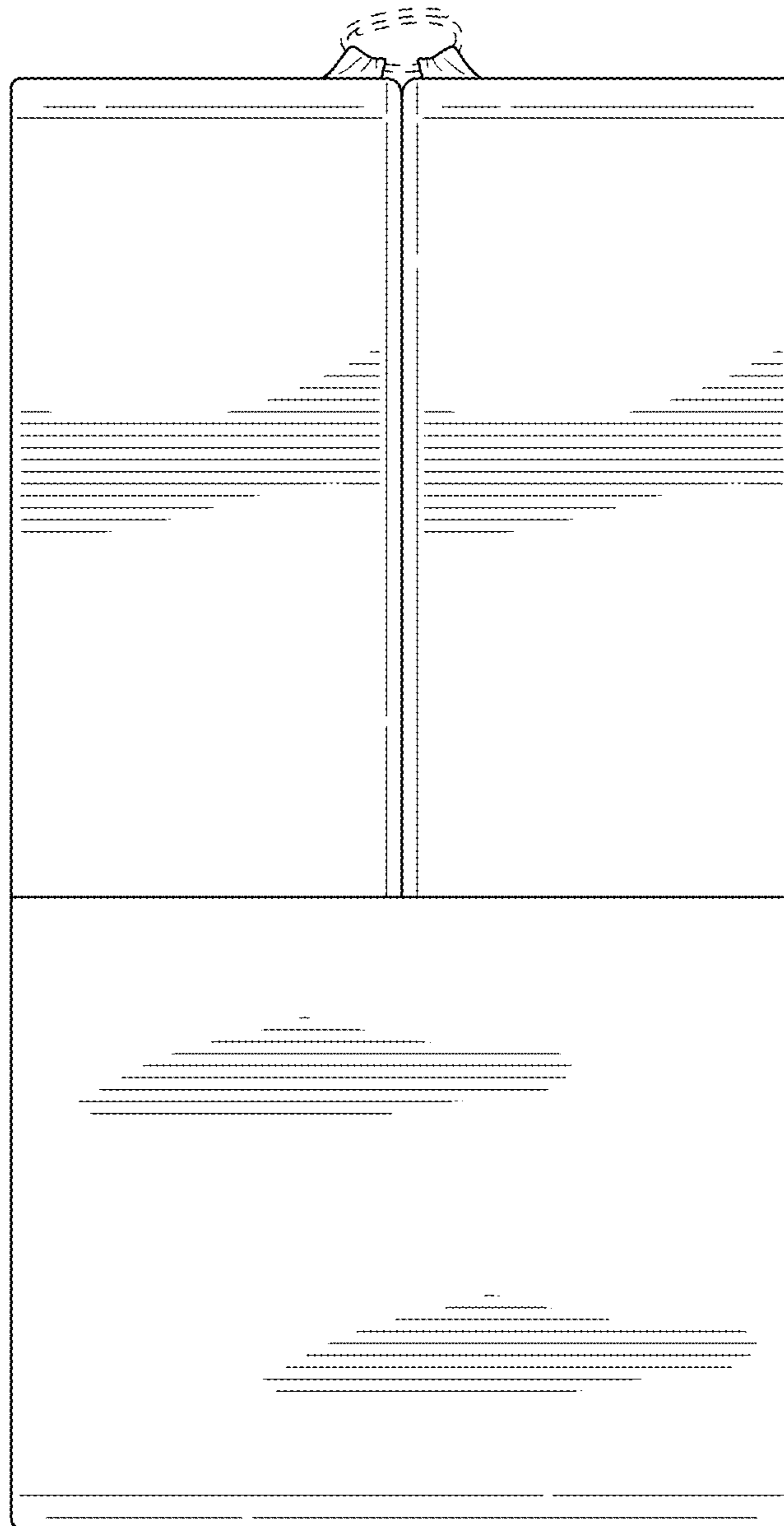
FIG. 2



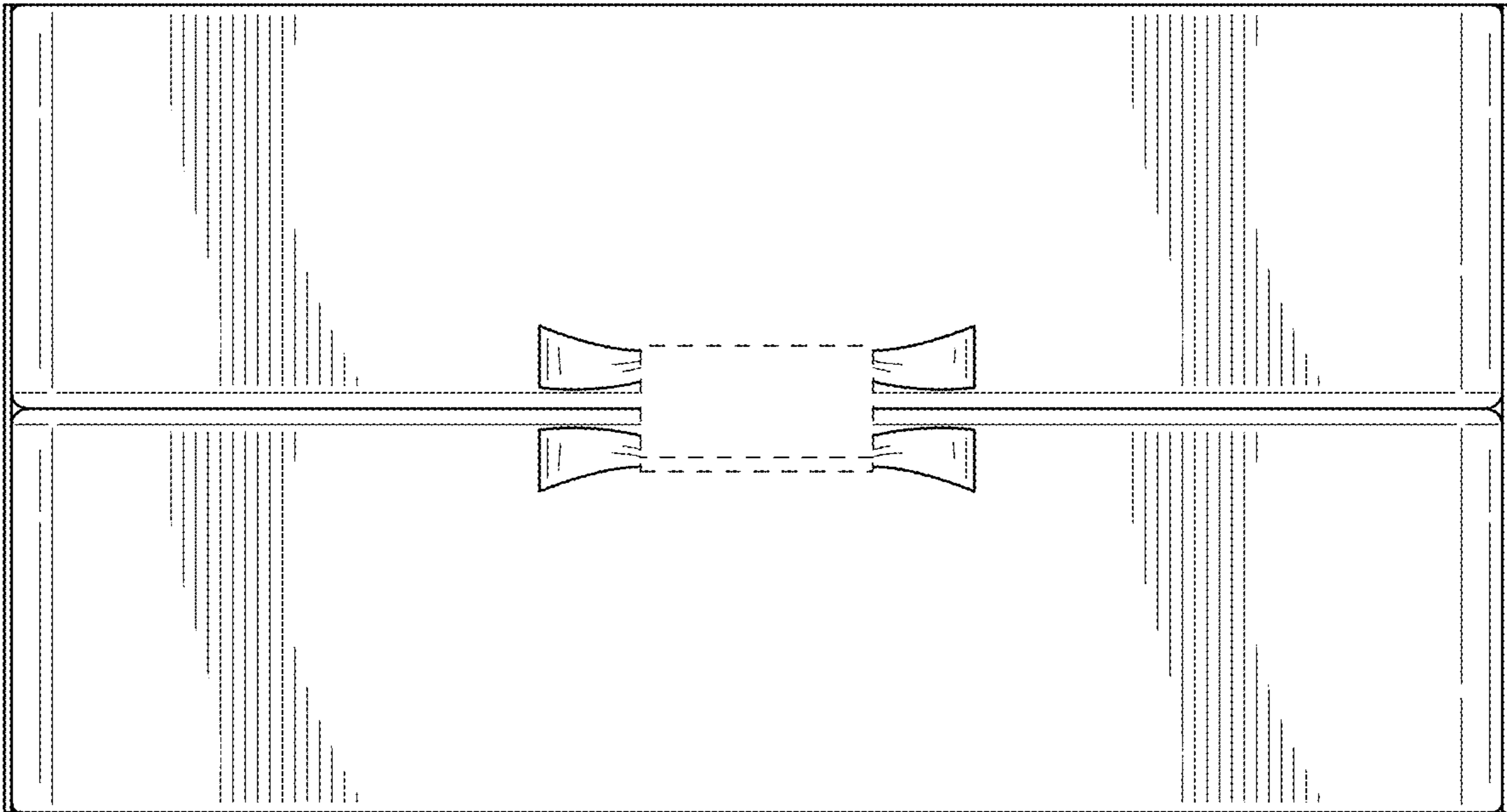
**FIG. 3**



**FIG. 4**

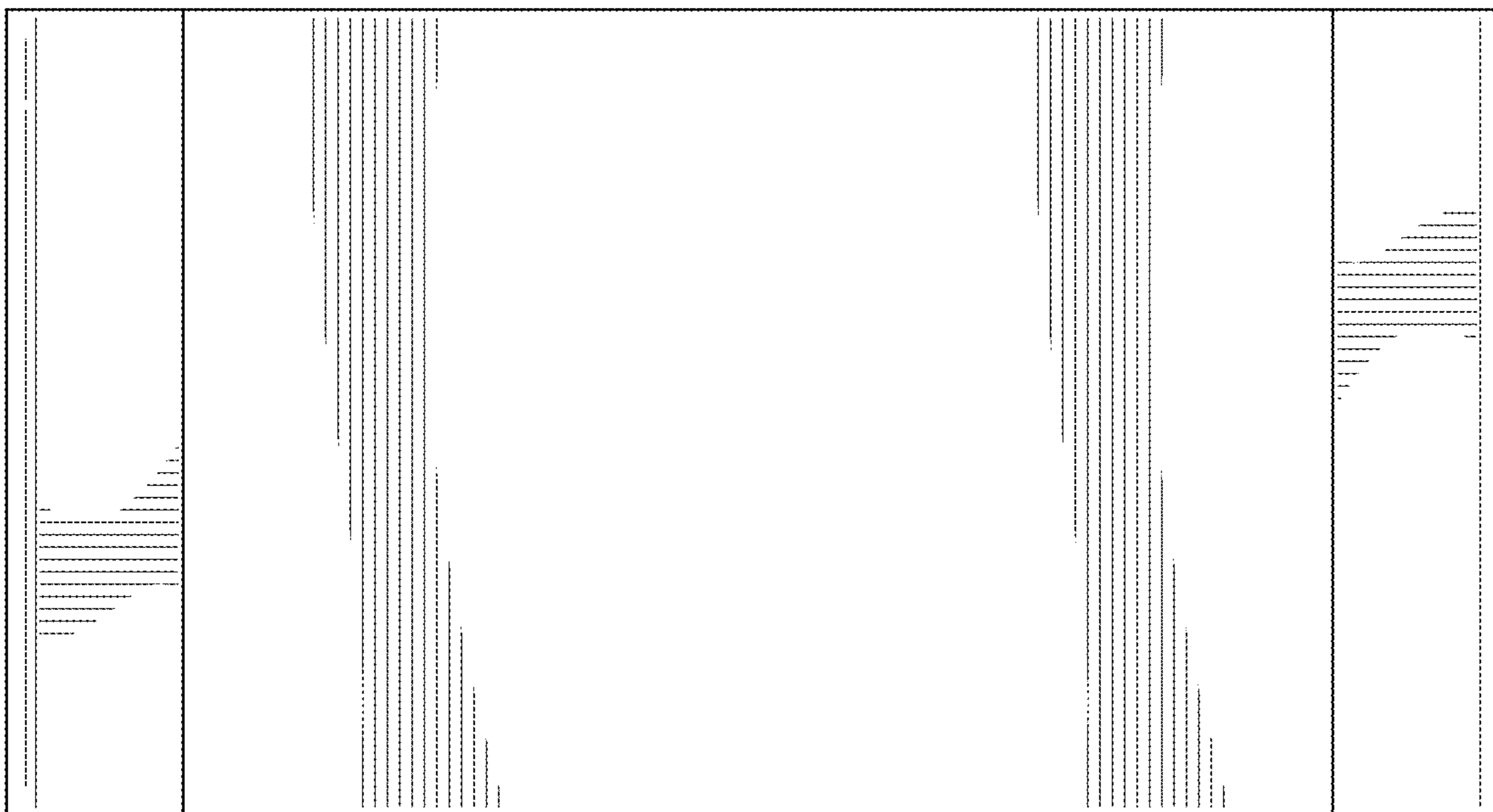


**FIG. 5**



**FIG. 6**





**FIG. 7**

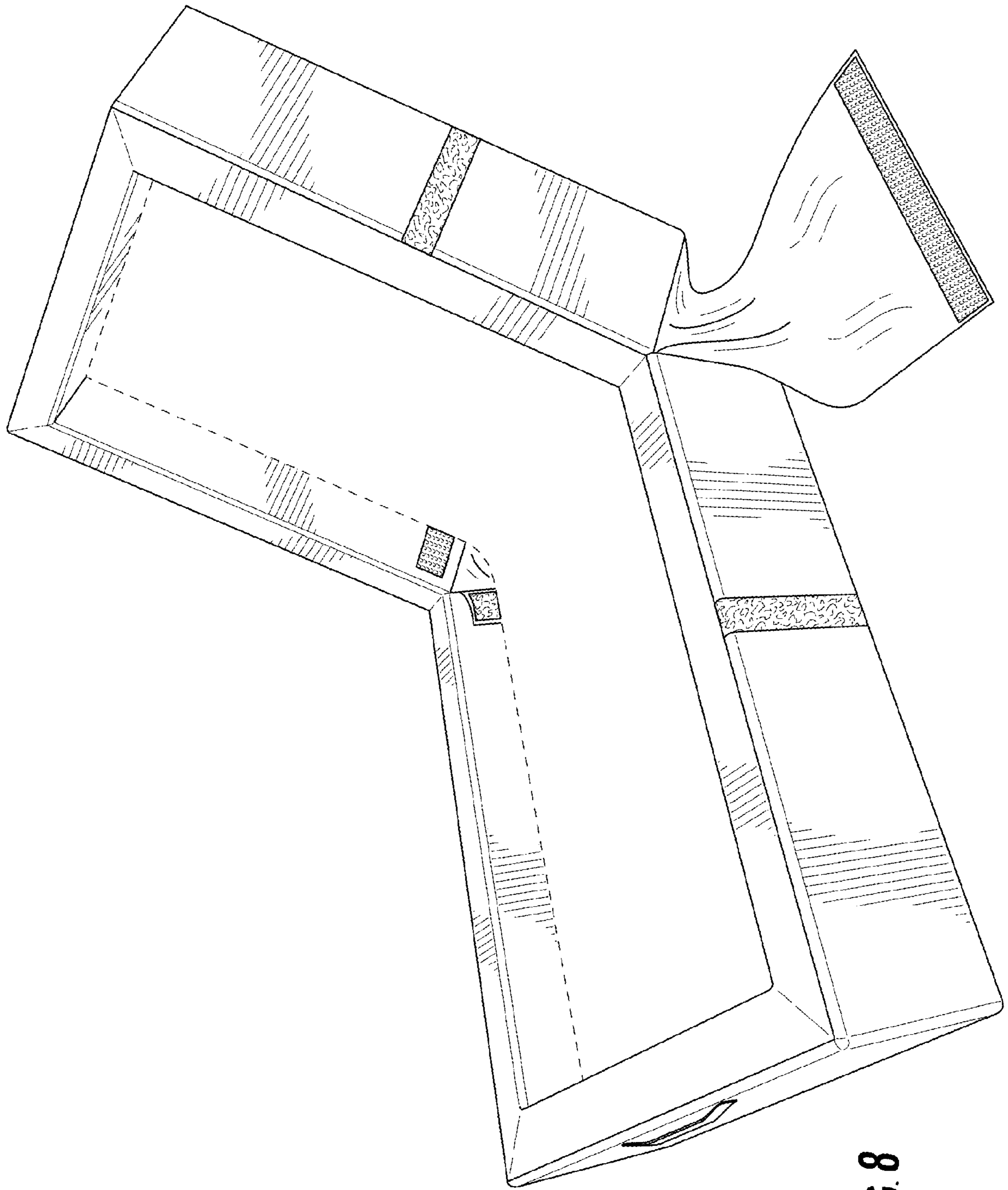


FIG. 8

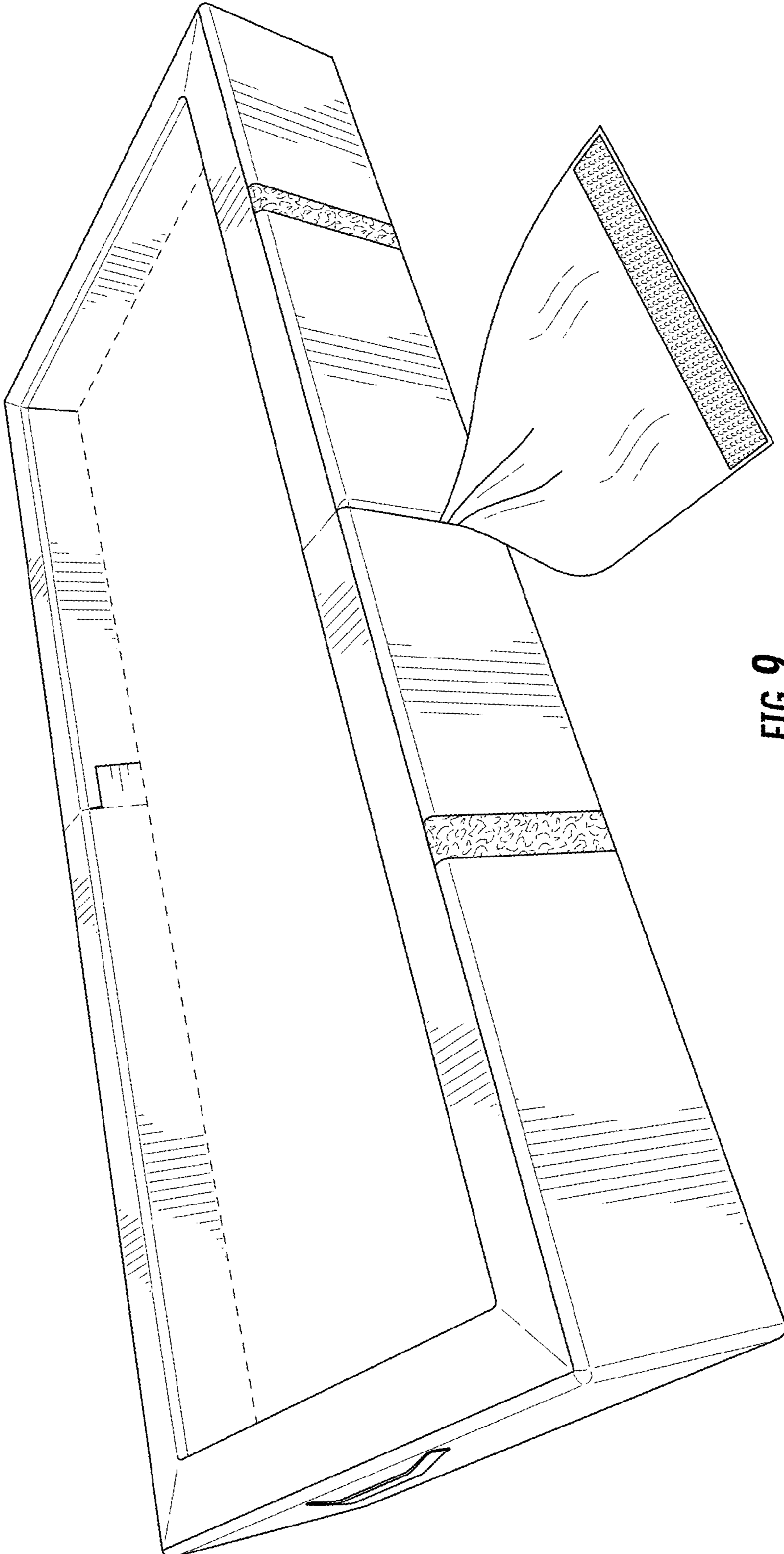


FIG. 9

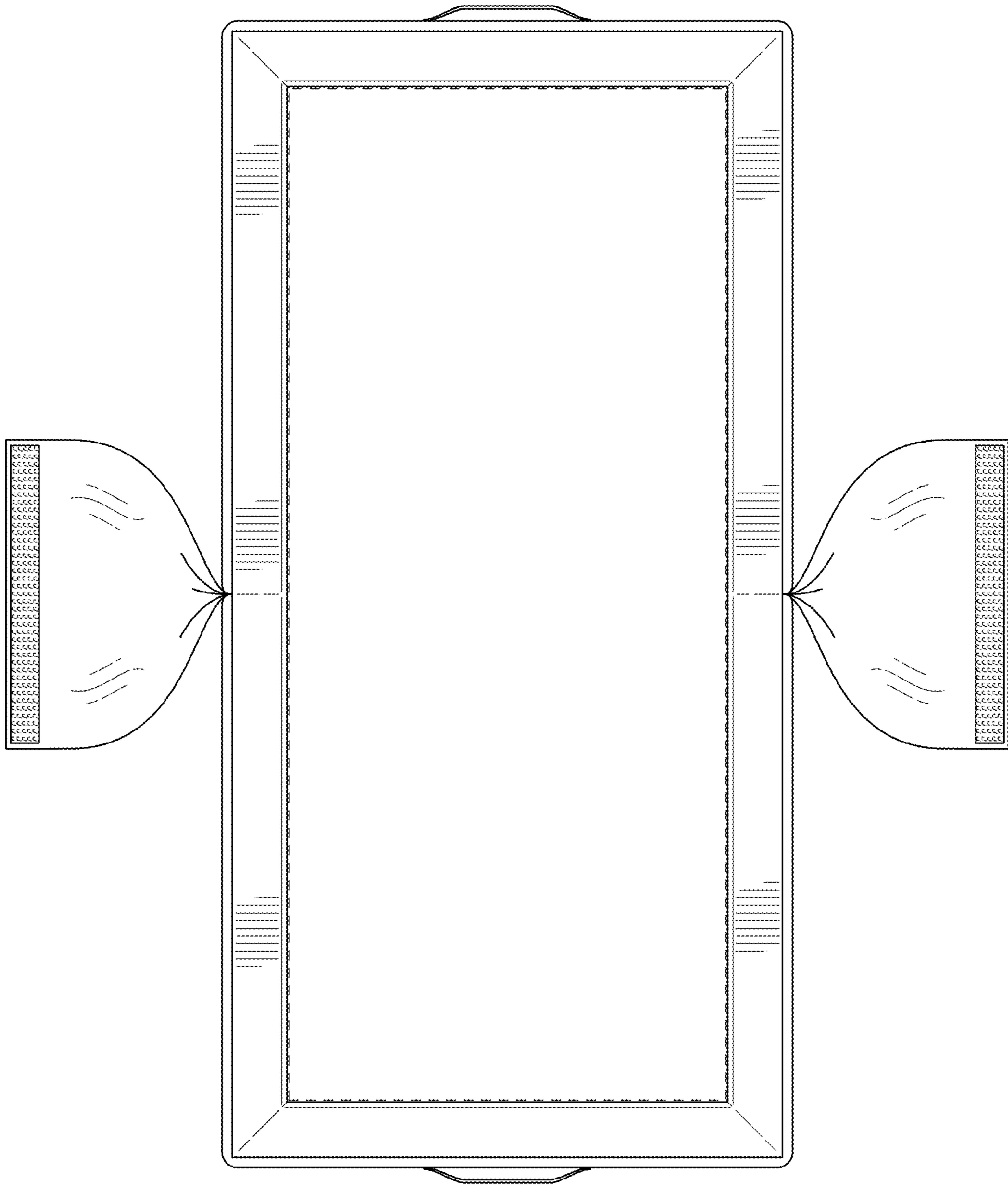
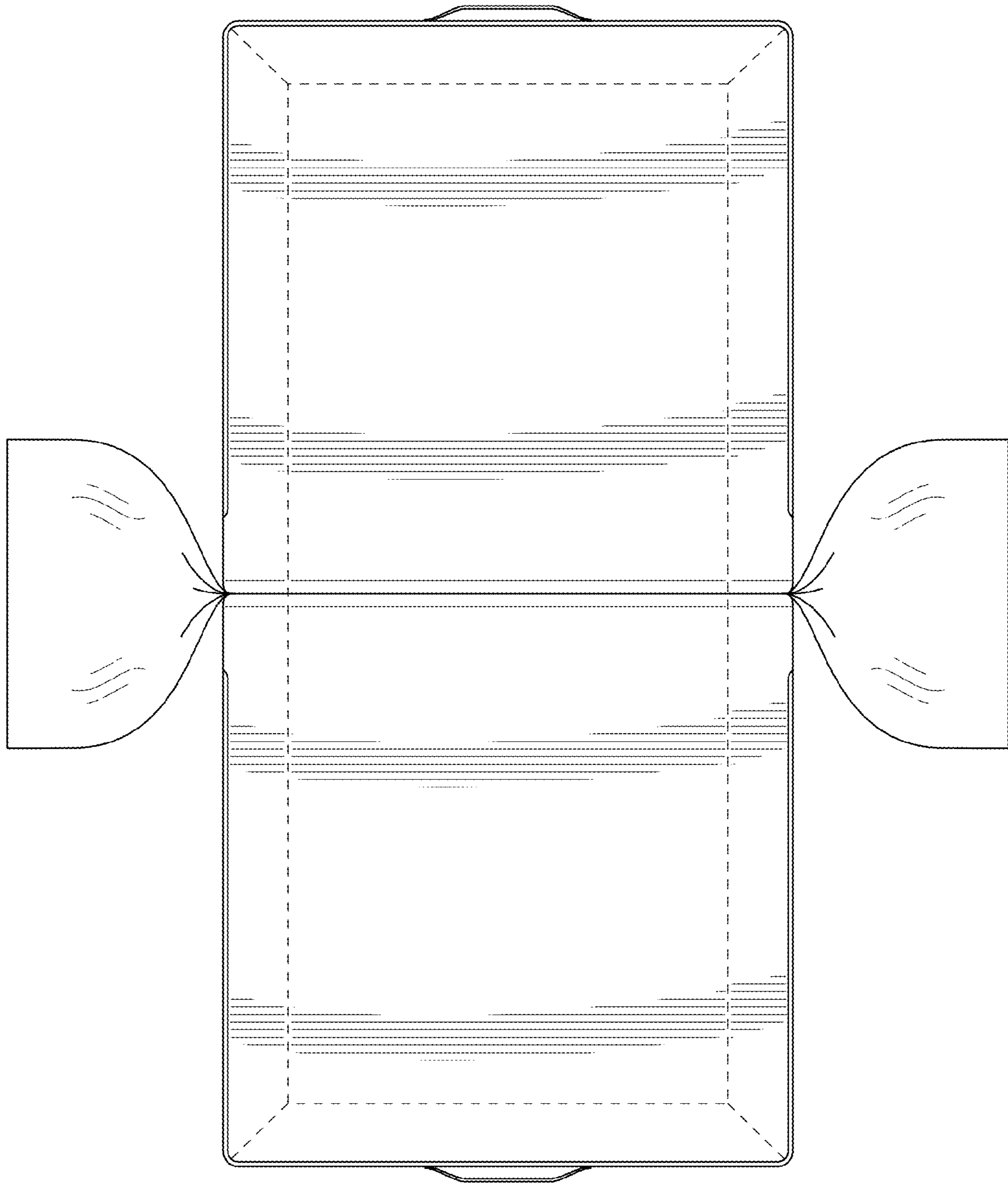


FIG. 10



**FIG. 11**

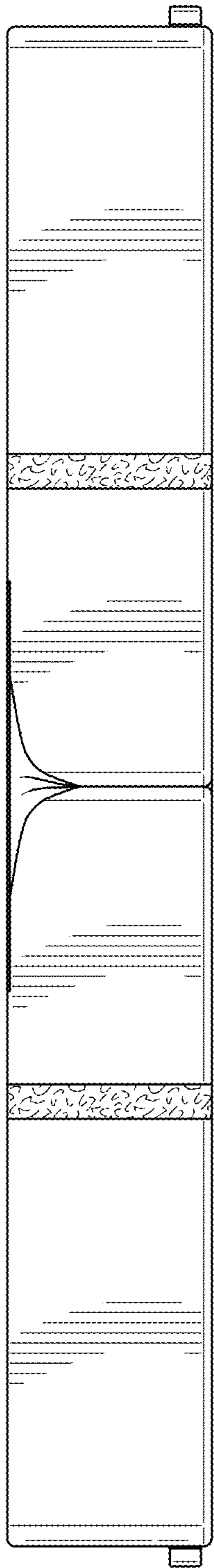


FIG. 12

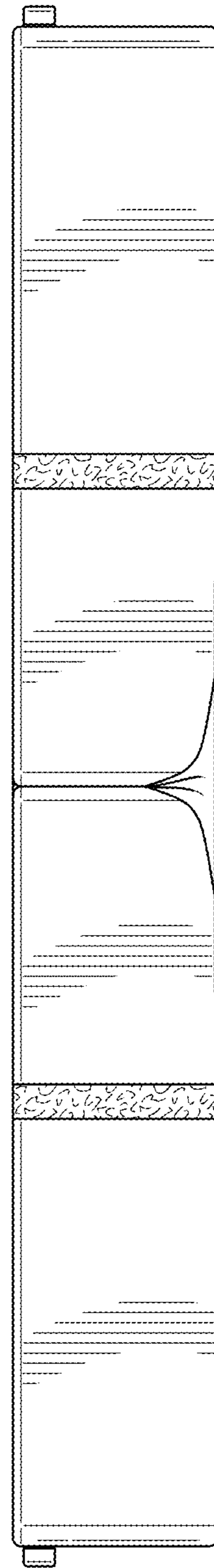
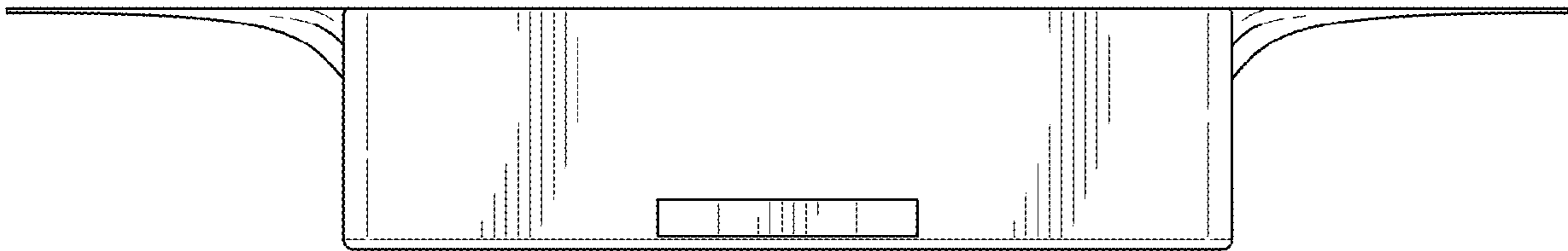
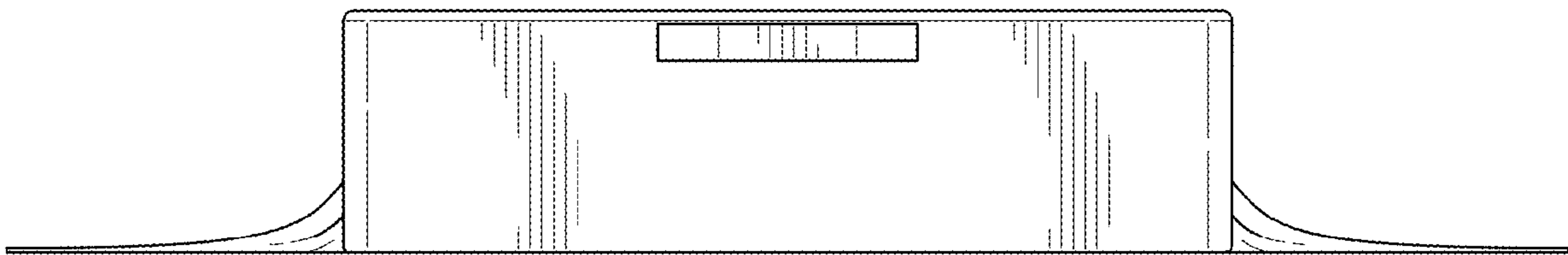


FIG. 13



**FIG. 14**



**FIG. 15**