

US00D867779S

(12) **United States Design Patent** (10) **Patent No.:** **US D867,779 S**
Chang (45) **Date of Patent:** **** Nov. 26, 2019**

(54) **SHOWER CHAIR**
(71) Applicant: **Shih-Kuo Chang**, Tainan (TW)
(72) Inventor: **Shih-Kuo Chang**, Tainan (TW)
(**) Term: **15 Years**
(21) Appl. No.: **29/618,068**
(22) Filed: **Sep. 19, 2017**
(51) **LOC (12) Cl.** **06-01**
(52) **U.S. Cl.**
USPC **D6/374**
(58) **Field of Classification Search**
USPC D6/334-336, 349, 367, 368, 374, 379,
D6/380, 716, 716.1, 716.2, 716.4
CPC A47C 4/03; A47C 4/18; A47C 4/20; A47C
5/12; A47C 3/38; A47K 3/12; A47K
3/122; A47K 3/282
See application file for complete search history.

(56) **References Cited**
U.S. PATENT DOCUMENTS
D519,291 S * 4/2006 Higgs A47K 3/282
D6/367
D526,517 S * 8/2006 Adams D6/374
D552,366 S * 10/2007 Graves D6/374
D660,042 S * 5/2012 Higgs D6/374
D666,435 S * 9/2012 Meyers D6/716
9,763,545 B2 * 9/2017 Liu A47K 3/122

D812,389 S * 3/2018 Pong D6/374
2004/0070238 A1 * 4/2004 Moser A47K 3/282
297/183.9
2005/0179304 A1 * 8/2005 Serhan A47K 3/282
297/440.24

FOREIGN PATENT DOCUMENTS

CA 2737286 A1 * 9/2012 A47K 3/122
* cited by examiner

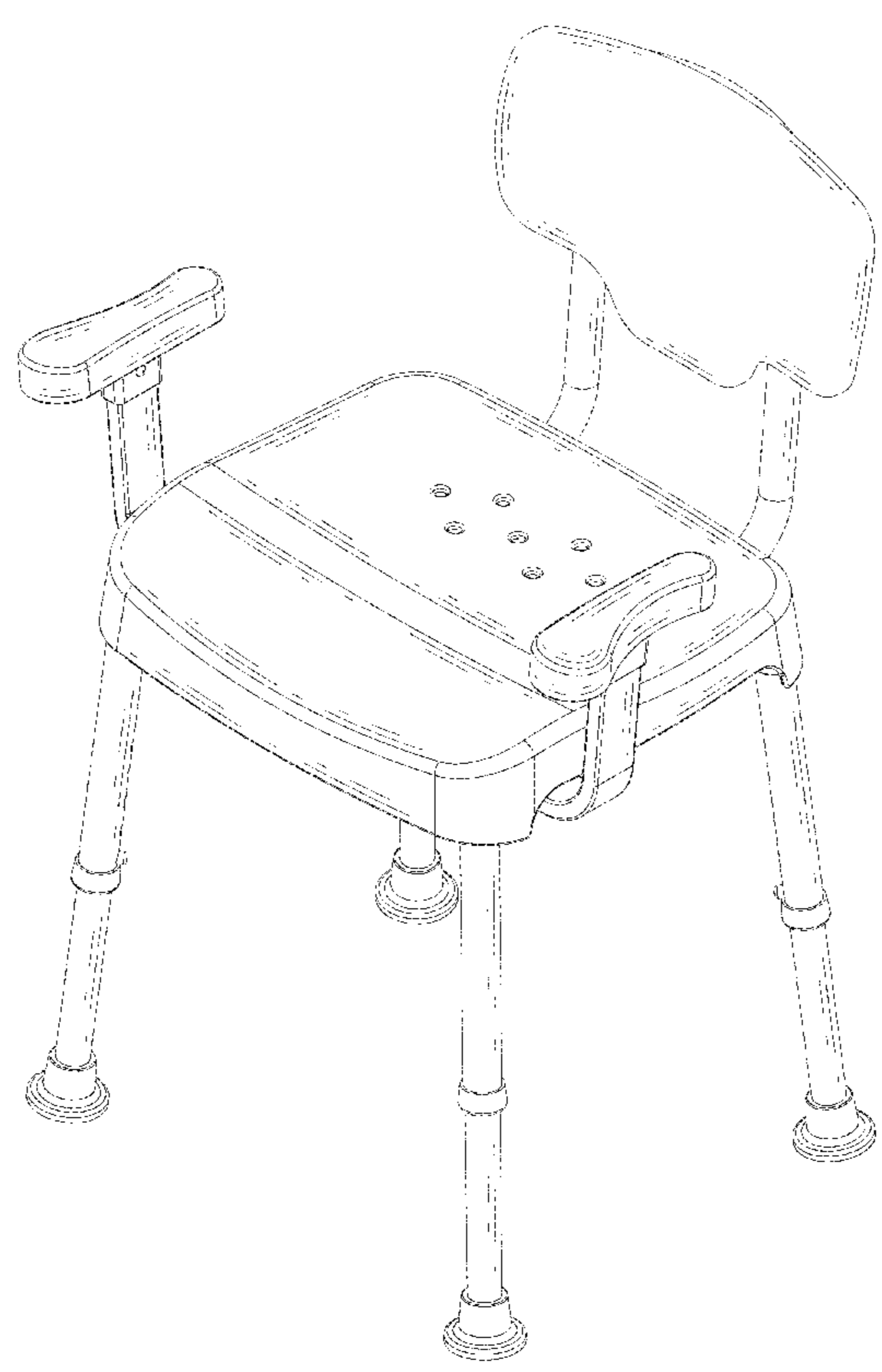
Primary Examiner — Mimosa De
(74) *Attorney, Agent, or Firm* — Alan D. Kamrath; Karin
L. Williams; Mayer & Williams PC

(57) **CLAIM**
The ornamental design for a shower chair, as shown and
described.

DESCRIPTION

FIG. 1 is a perspective view of a shower chair showing my
design;
FIG. 2 is a front elevational view thereof;
FIG. 3 is a rear elevational view thereof;
FIG. 4 is a left side elevational view thereof;
FIG. 5 is a right side elevational view thereof;
FIG. 6 is a top plan view thereof; and,
FIG. 7 is a bottom plan view thereof.
The broken lines illustrate portions of the shower chair that
do not form part of the claimed design.

1 Claim, 7 Drawing Sheets



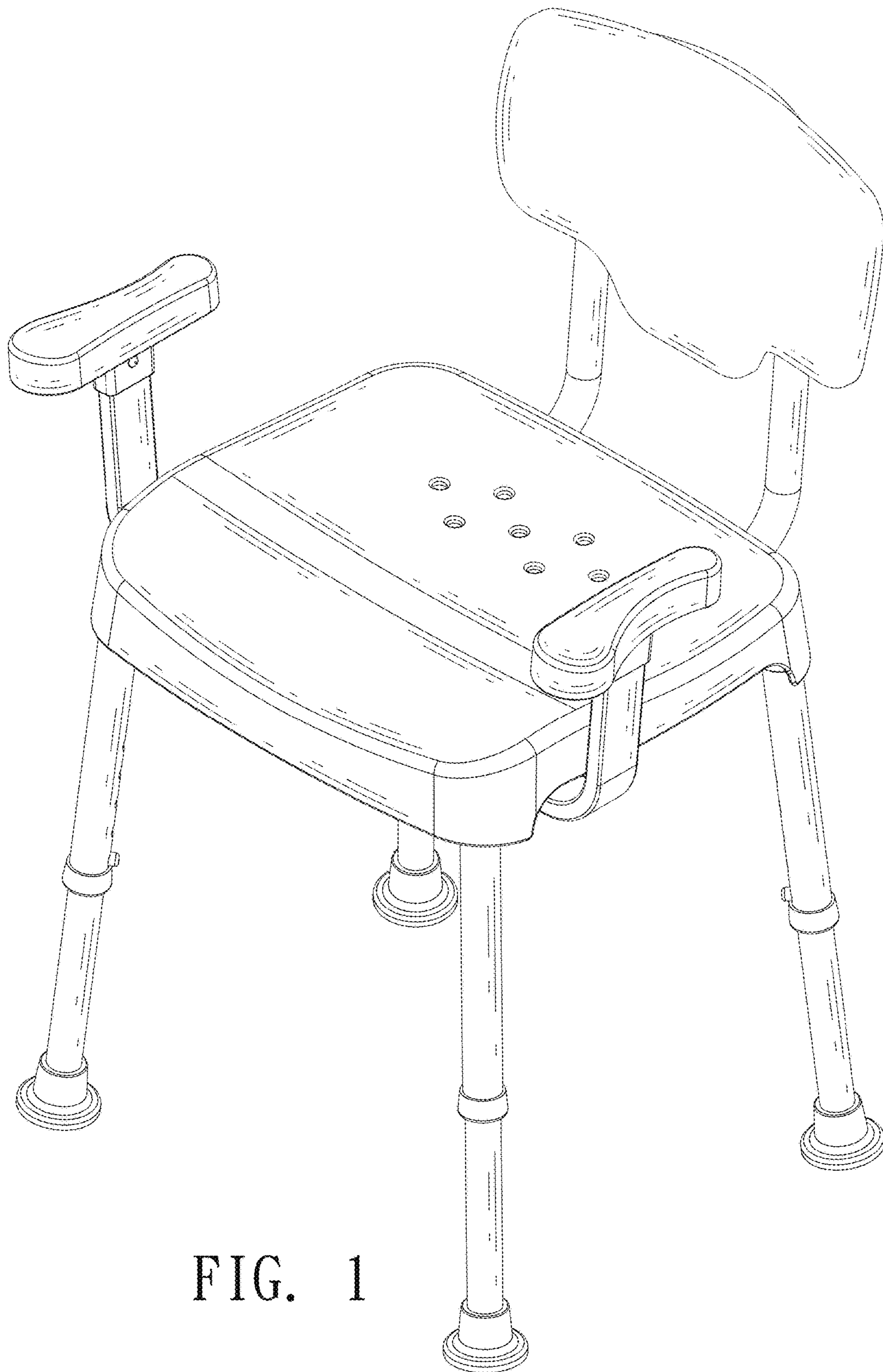


FIG. 1

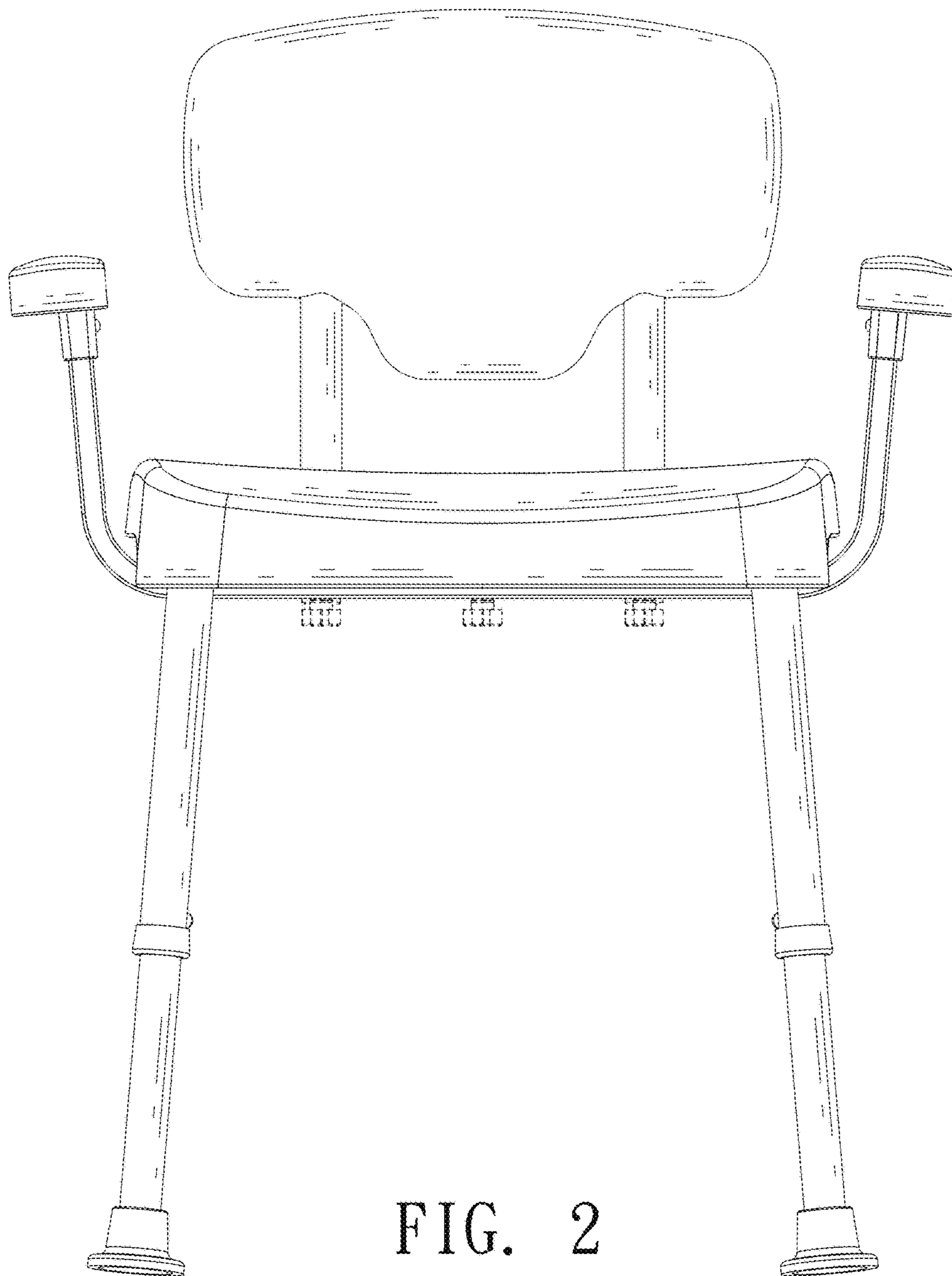


FIG. 2

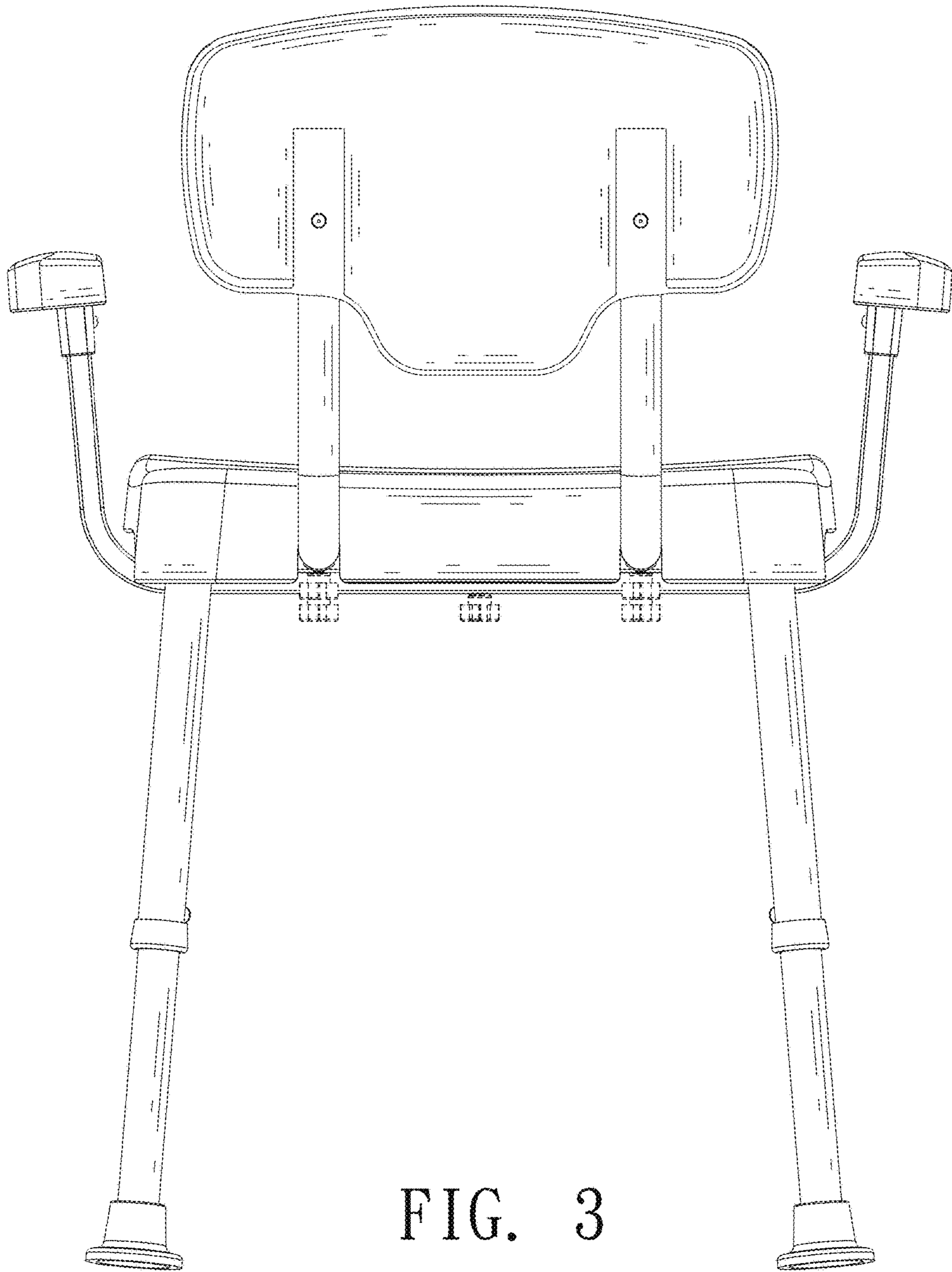
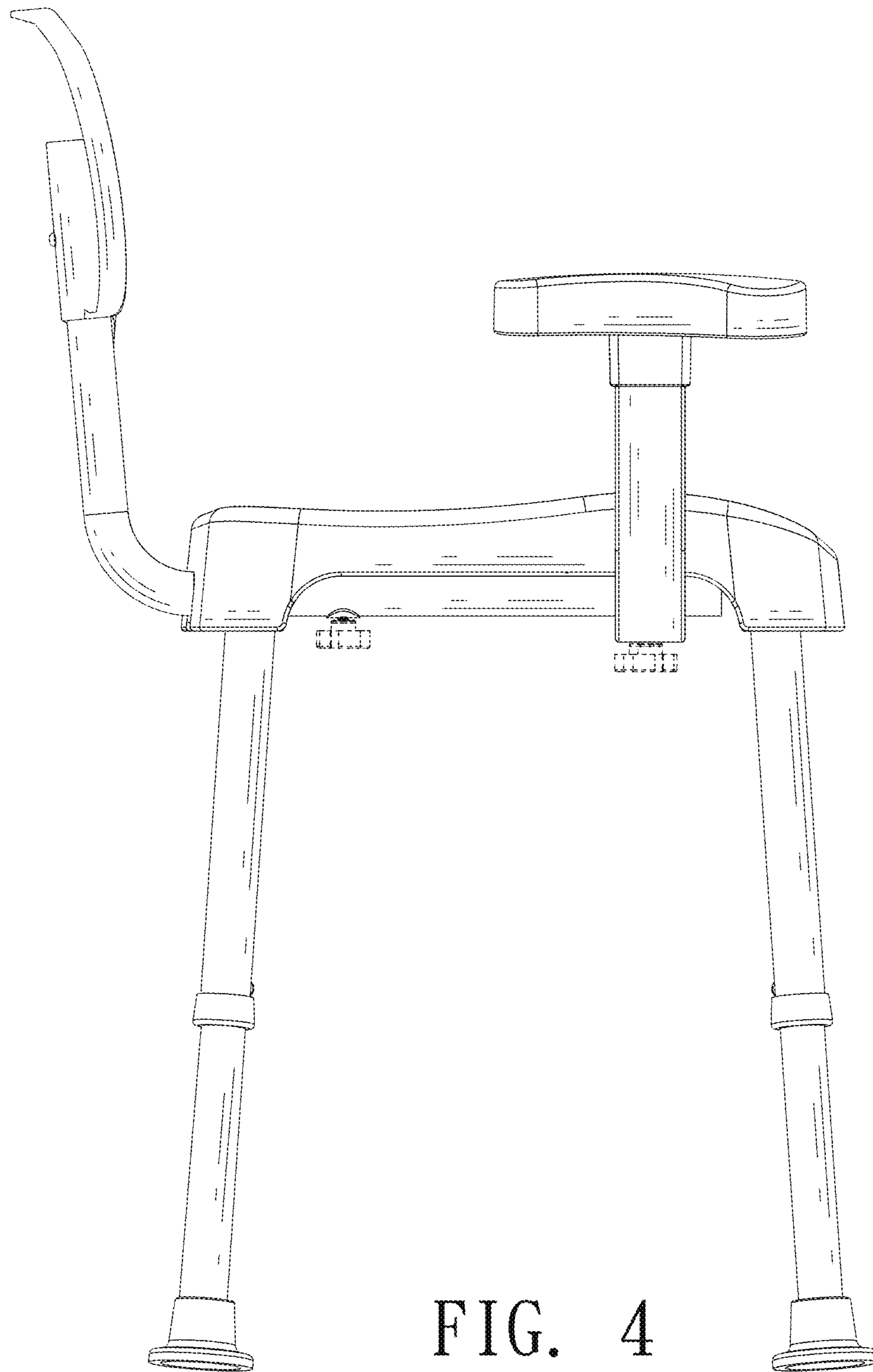
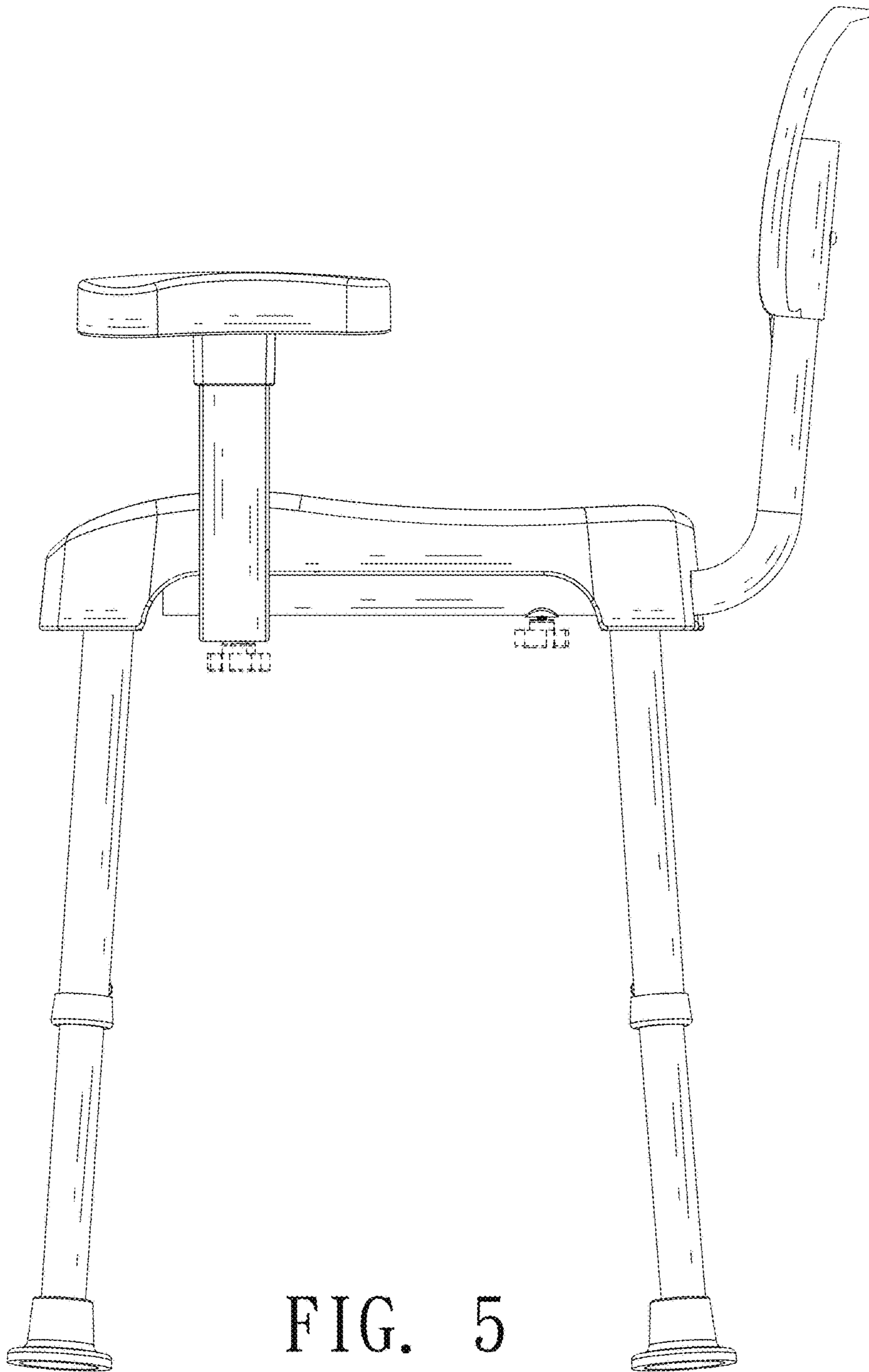


FIG. 3





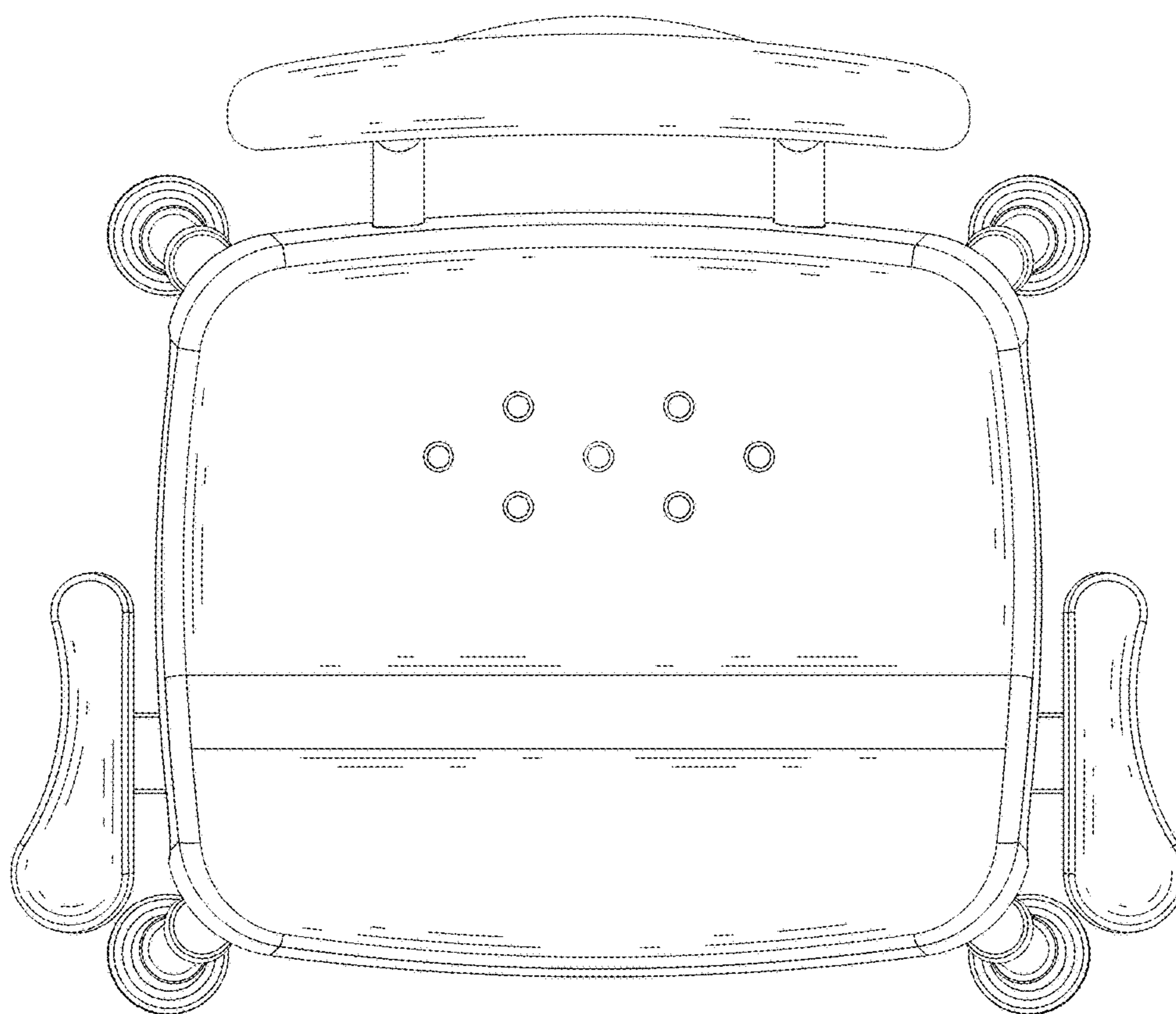


FIG. 6

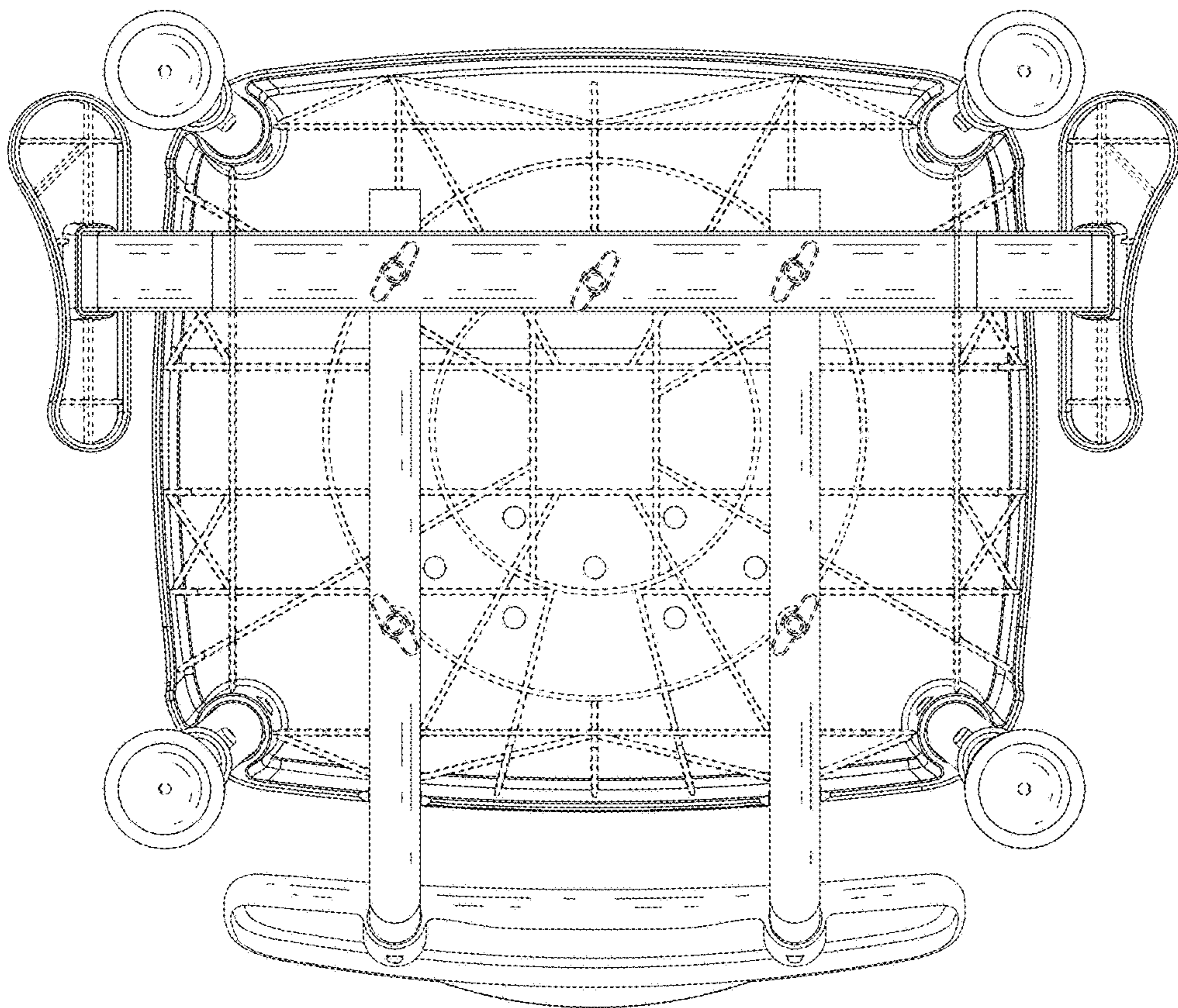


FIG. 7