

US00D867775S

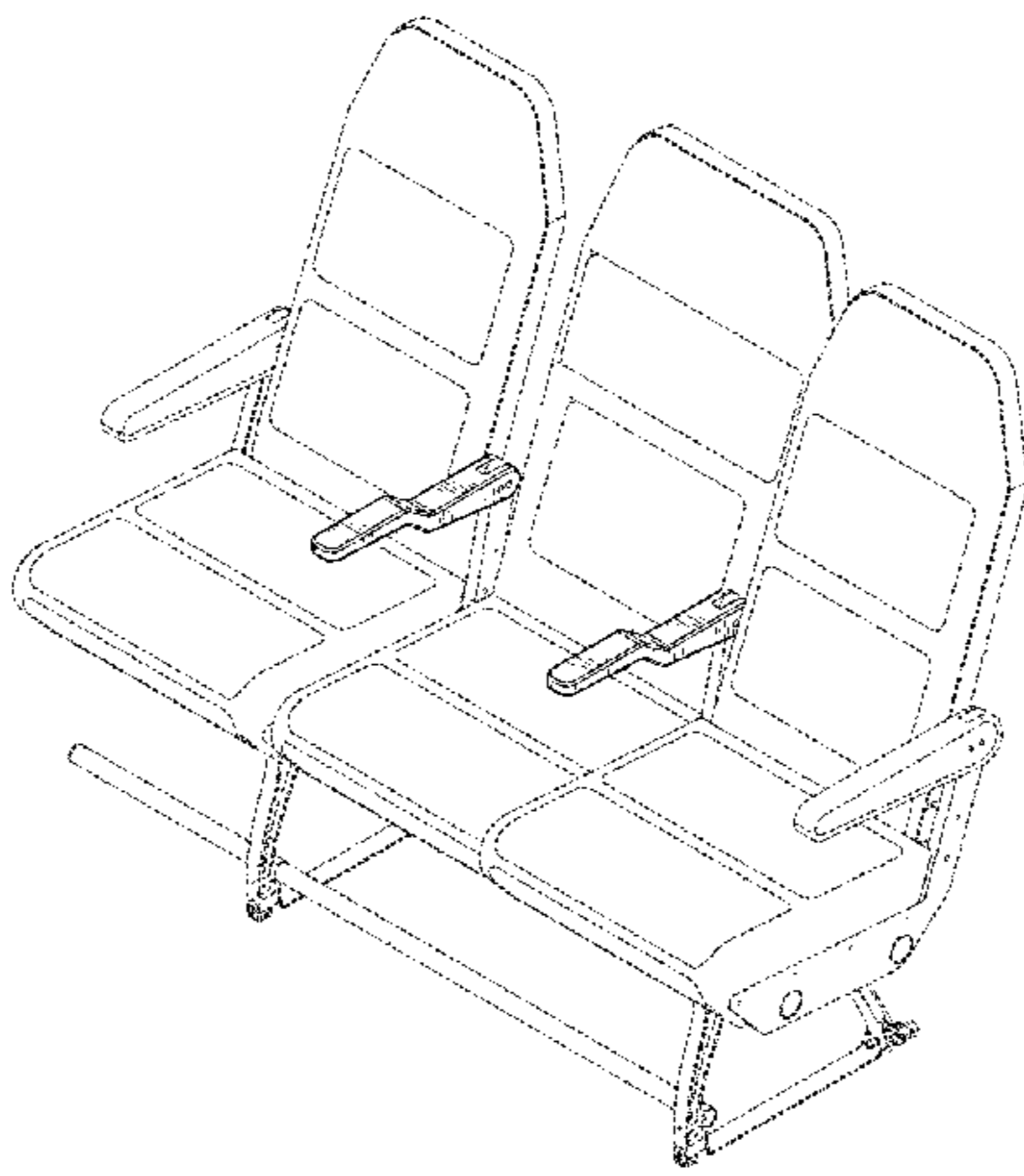
(12) **United States Design Patent** (10) **Patent No.:** **US D867,775 S**  
**Scott et al.** (45) **Date of Patent:** **\*\* Nov. 26, 2019**

(54) **SET OF MULTILEVEL AIRCRAFT SEAT ARMRESTS** 3,572,615 A 3/1971 Firestone  
3,638,997 A 2/1972 Shapiro et al.  
3,887,230 A 6/1975 Groning et al.  
3,893,729 A 7/1975 Sherman et al.  
4,113,311 A 9/1978 Reida  
D268,880 S \* 5/1983 Palmgren ..... D6/356  
D268,973 S 5/1983 White  
4,382,628 A 5/1983 Palmgren  
D274,138 S 6/1984 Grussner  
D296,094 S 6/1988 Sheek  
4,881,702 A 11/1989 Slettebak  
4,936,620 A 6/1990 Francois et al.  
5,104,065 A 4/1992 Daharsh et al.  
5,131,607 A 7/1992 Arnold  
5,178,345 A 1/1993 Peltola  
D338,791 S 8/1993 Cohen  
D343,537 S \* 1/1994 Harde ..... D6/716.2  
5,284,379 A 2/1994 Arnold et al.  
5,342,111 A 8/1994 Charles  
D355,089 S \* 2/1995 Ivcevic ..... D6/716.2  
D356,641 S 3/1995 Stewart  
5,509,722 A 4/1996 Beroth  
5,527,093 A 6/1996 Park  
5,558,309 A 9/1996 Marechal  
D376,060 S 12/1996 Cohen  
5,584,532 A 12/1996 Marechal  
5,597,139 A 1/1997 Beroth  
5,660,434 A 8/1997 Wilson  
5,673,973 A 10/1997 Marechal  
5,727,845 A 3/1998 Jackson-Wynch  
5,829,836 A 11/1998 Schumacher  
6,155,519 A 12/2000 Rajasingham  
D463,458 S \* 9/2002 Arthur ..... D15/28  
6,554,364 B1 4/2003 Dammermann et al.  
6,644,441 B1 11/2003 Ebrahimi  
6,688,698 B1 \* 2/2004 Chou ..... A47C 1/03  
297/411.36

(71) Applicant: **MOLON LABE LLC**, Lakewood, CO (US)  
(72) Inventors: **Frank Matthew Scott**, Breckenridge, CO (US); **Kevin Van Liere**, Louisville, CO (US)  
(73) Assignee: **Molon Labe, LLC**, Lakewood, CO (US)  
(\*\*) Term: **15 Years**  
(21) Appl. No.: **29/642,982**  
(22) Filed: **Apr. 3, 2018**  
(51) **LOC (12) Cl.** ..... **06-06**  
(52) **U.S. Cl.**  
USPC ..... **D6/356**  
(58) **Field of Classification Search**  
USPC ..... D6/328, 334, 354, 355, 356, 364, 366, D6/601, 655, 702, 708, 708.16, 708.17, D6/708.18, 708.23, 708.24, 708.25, 712, D6/716.1, 716.2, 716.3, 716.4, 716.5, D6/716.6, 716.7; D21/662, 694, 695  
CPC .. A47C 1/03; A47C 4/02; A47C 31/00; B64D 11/06; B62J 1/18; B60N 2/01; H01R 13/60  
See application file for complete search history.

(56) **References Cited**  
U.S. PATENT DOCUMENTS

151,411 A	5/1874	Marshall	6,824,213 B2	11/2004	Skelly
371,091 A	10/1887	Miller	7,070,149 B2	7/2006	McDonnell
972,393 A	10/1910	Moore	D543,737 S	6/2007	Held
1,643,236 A	9/1927	Bell	D547,981 S	8/2007	Cohen
1,714,645 A	5/1929	Taggart	7,252,569 B2	8/2007	Everhart et al.
2,026,016 A	12/1935	Blood	D557,949 S	12/2007	Moorhouse
2,116,366 A	5/1938	Scott	7,410,127 B1	8/2008	Ahad
2,523,960 A	9/1950	Liljengren et al.	D577,499 S	9/2008	Tsay
2,696,246 A	12/1954	Putnam	7,448,575 B2	11/2008	Cheung et al.
D180,972 S *	9/1957	Umanoff ..... 297/411.43	7,578,551 B2	8/2009	Linero
D180,975 S *	9/1957	Umanoff ..... 297/45	D605,863 S	12/2009	Aruga
			7,828,390 B2	11/2010	Liu
			7,959,231 B2	6/2011	Lee
			8,002,357 B2	8/2011	Cebula
			D645,681 S	9/2011	Grell
			8,091,961 B2	1/2012	Dryburgh



8,118,359 B2	2/2012	Kyogoku et al.	
8,162,396 B2	4/2012	Edwards	
8,172,321 B2	5/2012	Hankinson et al.	
8,182,014 B2	5/2012	Mabuchi et al.	
D665,588 S	8/2012	Wada	
8,251,427 B2	8/2012	Lindsay	
8,393,677 B2	3/2013	Wieclawski	
8,393,680 B2	3/2013	Zimmermann et al.	
8,419,135 B2	4/2013	Moeseneder et al.	
D686,422 S	7/2013	Robinson	
8,506,015 B2	8/2013	Le et al.	
D693,617 S	11/2013	Koski	
8,596,724 B1 *	12/2013	Ahad .....	B64D 11/06 297/163
8,616,631 B2	12/2013	Westerink et al.	
8,678,311 B2	3/2014	Cheung et al.	
8,708,410 B2	4/2014	Scott	
8,763,954 B2	7/2014	Rajasingham	
8,864,071 B2	10/2014	Vergnaud et al.	
8,888,160 B2	11/2014	Woodhouse et al.	
8,931,846 B2	1/2015	Merensky	
8,950,796 B2	2/2015	Woodhouse et al.	
D723,822 S	3/2015	Cai	
D724,337 S *	3/2015	Nicholas .....	D6/356
D724,338 S	3/2015	Nicholas	
D724,339 S	3/2015	Cai	
8,973,966 B2	3/2015	Woodhouse et al.	
8,998,139 B2	4/2015	Dryburgh et al.	
9,060,614 B1	6/2015	Gibilterra	
D733,442 S	7/2015	Dryburgh et al.	
9,102,243 B2	8/2015	Woodhouse et al.	
9,132,918 B2	9/2015	Bamford et al.	
9,178,550 B2	11/2015	Shah et al.	
D750,392 S	3/2016	Wilkens	
9,315,270 B2	4/2016	Dryburgh et al.	
9,346,504 B2	5/2016	Segato	
9,358,908 B2	6/2016	Rajasingham	
9,359,079 B2	6/2016	Scott et al.	
9,398,812 B2	7/2016	Sanae	
9,428,088 B1	8/2016	Rajasingham	
9,446,686 B2	9/2016	Woodhouse et al.	
9,475,407 B2	10/2016	Byun	
9,511,694 B2	12/2016	Mendicino et al.	
9,533,765 B2	1/2017	Vergnaud et al.	
9,623,776 B2	4/2017	Colsky	
9,630,717 B2	4/2017	Wilkens	
9,682,643 B2	6/2017	Wegenka et al.	
9,708,065 B2	7/2017	Sankrithi et al.	
9,764,844 B2	9/2017	Le et al.	
9,771,156 B2	9/2017	Brownjohn et al.	
9,796,296 B2	10/2017	Cailleateau	
9,821,691 B2	11/2017	Brockman	
9,828,101 B2	11/2017	Shih	
9,834,308 B2	12/2017	Henshaw	
9,908,445 B2	3/2018	Park et al.	
9,925,895 B2	3/2018	Ellis et al.	
10,017,255 B2	7/2018	Smallhorn	
10,035,433 B2	7/2018	Muraiti et al.	
10,035,599 B2	7/2018	Ruiz Lara et al.	
D840,701 S *	2/2019	Scott .....	D6/356
2002/0033432 A1	3/2002	Mikosza	
2007/0241233 A1	10/2007	Cona	
2007/0241235 A1	10/2007	Atchison	
2008/0087767 A1	4/2008	Scott	
2009/0127911 A1	5/2009	Schumacher et al.	
2010/0282902 A1	11/2010	Rajasingham	
2010/0295358 A1	11/2010	Lee	
2011/0031772 A1	2/2011	Mabuchi et al.	
2011/0175411 A1	7/2011	Wagner et al.	
2012/0274108 A1	11/2012	Kim	
2012/0292957 A1	11/2012	Vergnaud et al.	
2012/0305705 A1	12/2012	Vergnaud et al.	
2013/0193726 A1	8/2013	Rajasingham	
2015/0014481 A1	1/2015	Vandewall	
2015/0166181 A1	6/2015	Scott	
2015/0202992 A1	7/2015	Cailleateau	
2015/0210395 A1	7/2015	St. Jalmes	
2016/0009397 A1	1/2016	Rajasingham	

2016/0150887 A1	6/2016	Wallis
2016/0318611 A1	11/2016	Brownjohn et al.
2018/0105272 A1	4/2018	Scott

FOREIGN PATENT DOCUMENTS

CN	102015358 A	4/2011
CN	102753436 A	10/2012
CN	102849212 A	1/2013
CN	104507808 A	4/2015
CN	102753436 B	5/2015
CN	105857328 A	8/2016
CN	102849212 B	3/2017
DE	10 2010 019 192 A1	11/2011
EP	0658477 A1	6/1995
EP	747286 A	12/1996
EP	1801010	6/2007
EP	1864850 A1	12/2007
EP	2 214 927 A1	8/2010
EP	2 471 684 A1	4/2012
EP	2520491 A1	7/2012
EP	2507131 A2	10/2012
EP	2 214 927 B1	11/2013
EP	2507131 B1	2/2017
FR	2953168 A1	2/2009
FR	2949214 A1	2/2011
GB	2455130 B	3/2009
GB	2514356 A	11/2014
GB	2514356 B	11/2017
WO	1990002685 A1	3/1990
WO	2008043430	4/2008
WO	2011067286 A2	6/2011
WO	2011067286 A3	6/2011
WO	2011081289 A1	7/2011
WO	2013185035 A1	12/2013
WO	2014011320	1/2014
WO	2014161853 A1	10/2014
WO	2016168200 A1	10/2016

OTHER PUBLICATIONS

“Molon Labe Rethinks the Middle Seat with Staggered Seating Options” Mar. 23, 2017, apex.aero, site visited Jan. 3, 2019, <<https://apex.aero/2017/03/23/molon-labe-rethinks-middle-seat-staggered-seating-options>> (Year: 2017), 1 pp.  
 English Abstract of CN102015358, Apr. 13, 2011, 1 pp.  
 English Abstract of CN102753436A, Oct. 24, 2012, 1 pp.  
 English Abstract of CN102753436B, May 13, 2015, 2 pp.  
 English Abstract of CN102849212A, Jan. 2, 2013, 2 pp.  
 English Abstract of CN102849212B, Mar. 1, 2017, 2 pp.  
 English Abstract of CN104507808A, Apr. 8, 2015, 2 pp.  
 English Abstract of CN105857328A, Aug. 17, 2016, 2 pp.  
 English Abstract of DE102010019192, Nov. 10, 2011, 1 pp.  
 English Abstract of EP2507121B1, Feb. 22, 2017, 2 pp.  
 English Abstract of FR2953168, Jun. 3, 2011, 2 pp.  
 Coffee, Helen, “New Aeroplane Design Could See Passengers Fighting over who gets the Middle seat”, Jan. 25, 2017, <http://www.express.co.uk/travel/articles/758728/flight-side-slip-seat-design>, 2017.

\* cited by examiner

*Primary Examiner* — Kevin K Rudzinski  
*Assistant Examiner* — Paul D Bohannon  
 (74) *Attorney, Agent, or Firm* — James A. Sheridan;  
 Sheridan Law, LLC

(57) CLAIM

We claim the ornamental design for a set of multilevel aircraft seat armrests, as shown and described.

DESCRIPTION

FIG. 1 is a perspective view of adjacent seats in a staggered formation having a set of multilevel aircraft seat armrests,

showing our new design, with each of the set of multilevel aircraft seat armrests providing differing height support surfaces for passengers in the adjacent seats in the staggered formation;

FIG. 2 is a front perspective view thereof;

FIG. 3 is a front elevational view thereof;

FIG. 4 is a rear elevational view thereof;

FIG. 5 is a top plan view thereof;

FIG. 6 is a bottom plan view thereof;

FIG. 7 is a perspective view of a set of multilevel aircraft seat armrests of FIG. 1;

FIG. 8 is another perspective view of the set of multilevel aircraft seat armrests of FIG. 7;

FIG. 9 is a right side elevational view of the right armrest of FIGS. 7 and 8;

FIG. 10 is a left side elevational view of the right armrest of FIGS. 7 and 8;

FIG. 11 is a front elevational view of the right armrest of FIGS. 7 and 8;

FIG. 12 is a rear elevational view of the right armrest of FIGS. 7 and 8;

FIG. 13 is a top plan view of the right armrest of FIGS. 7 and 8; and,

FIG. 14 is a bottom plan view of the right armrest of FIGS. 7 and 8.

The seat portions surrounding the set of multilevel aircraft seat armrests are shown in broken lines for illustrative purposes only and forms no part of the claimed design.

**1 Claim, 9 Drawing Sheets**

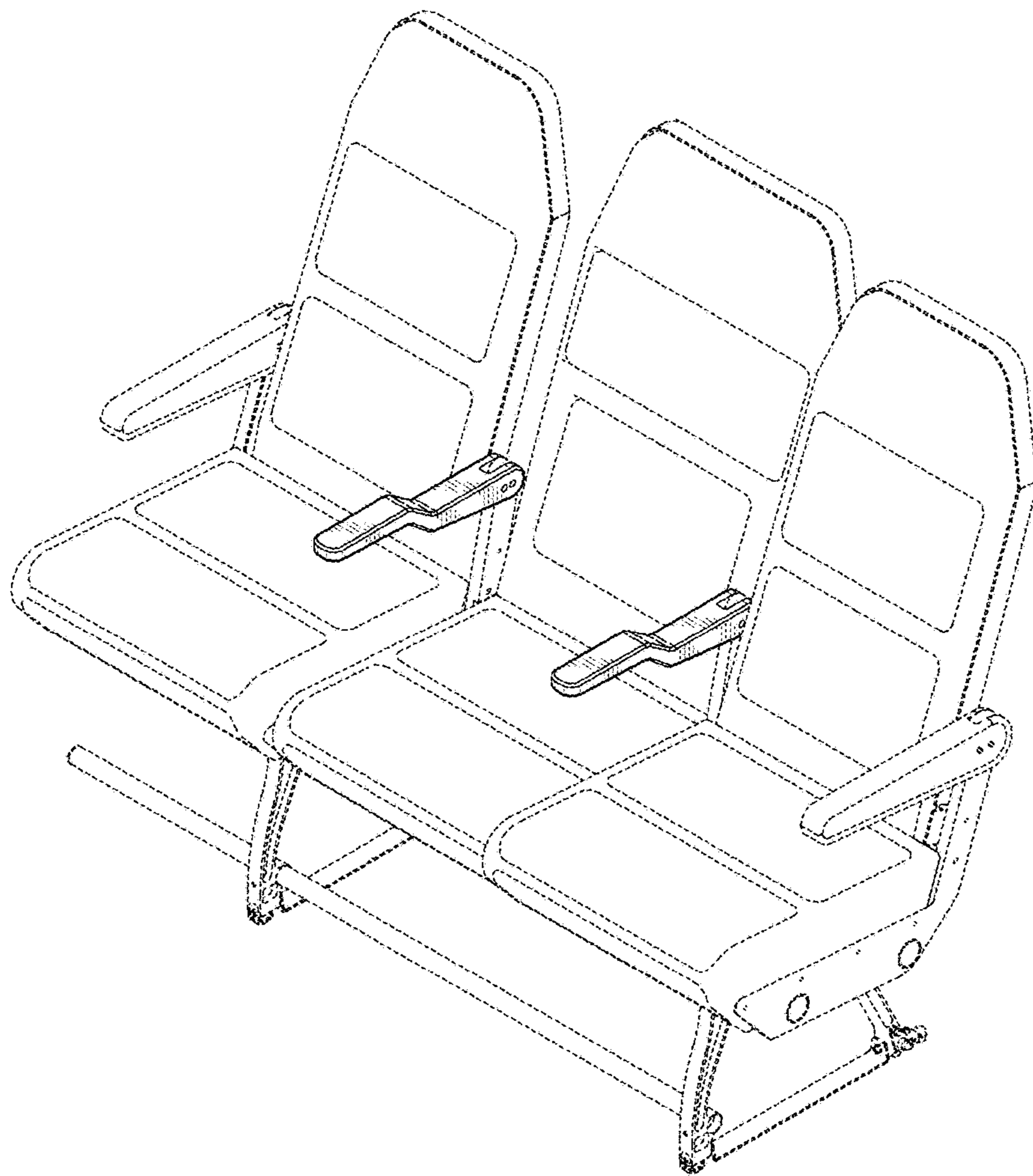


FIG. 1

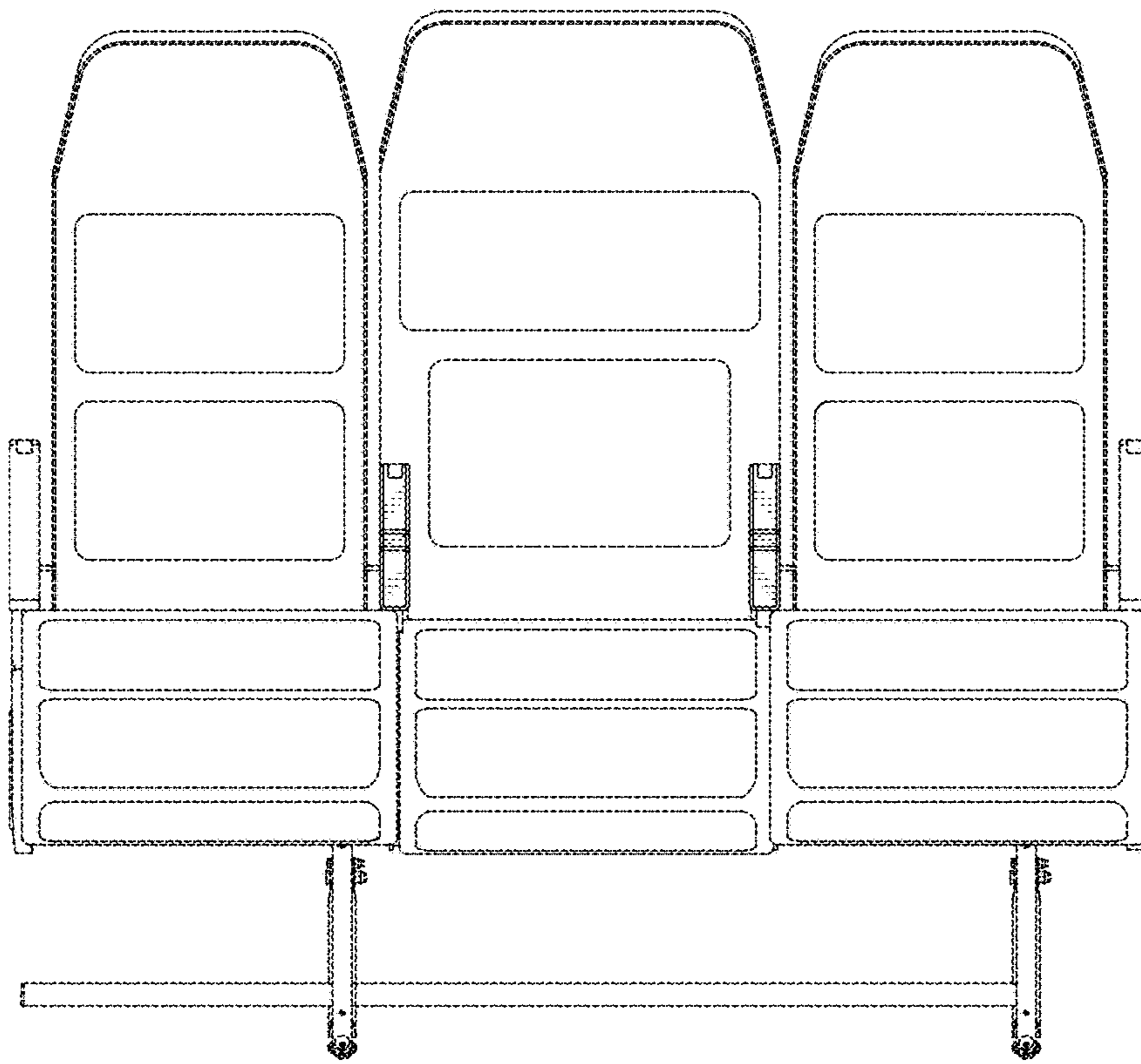


FIG. 2

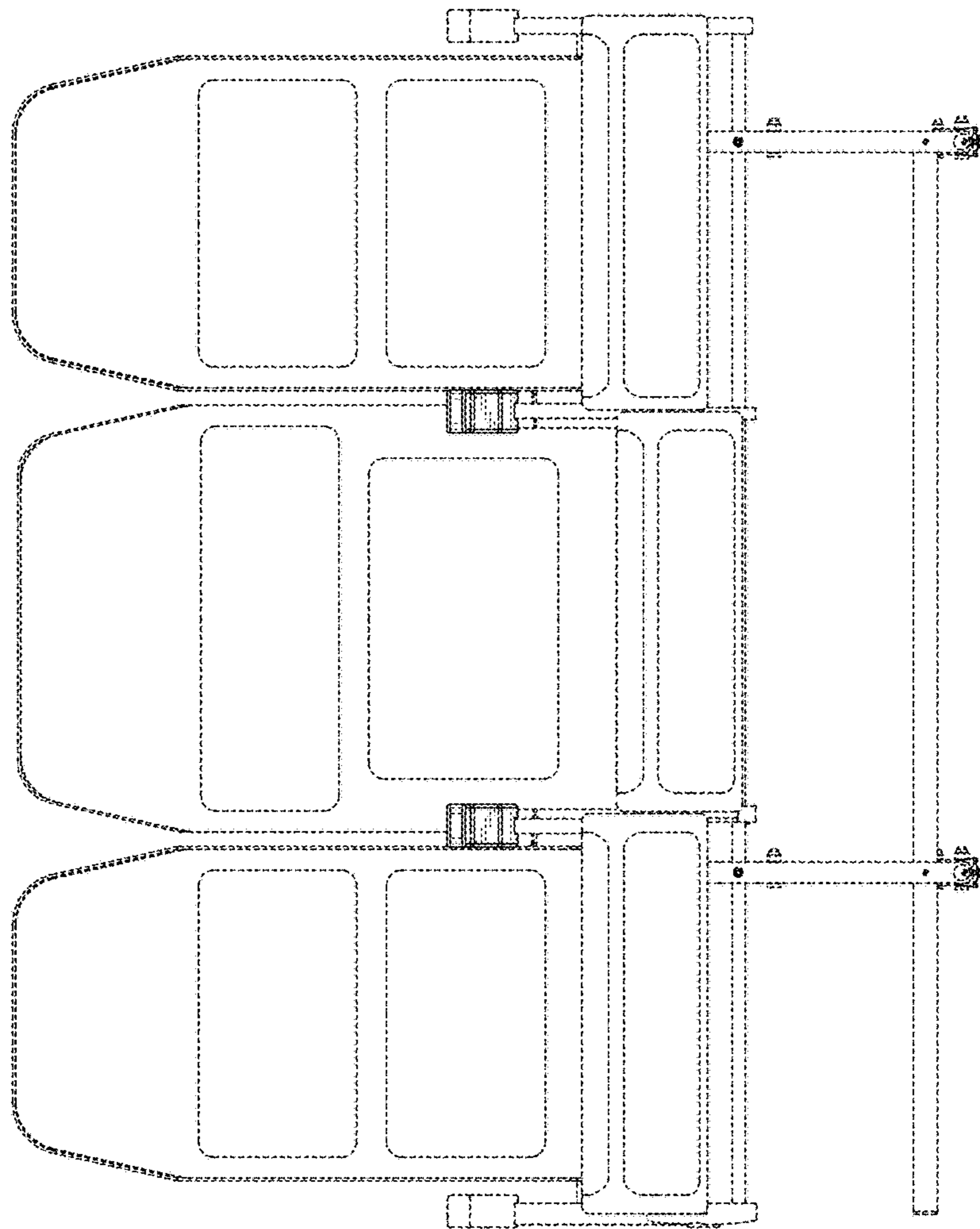


FIG. 3

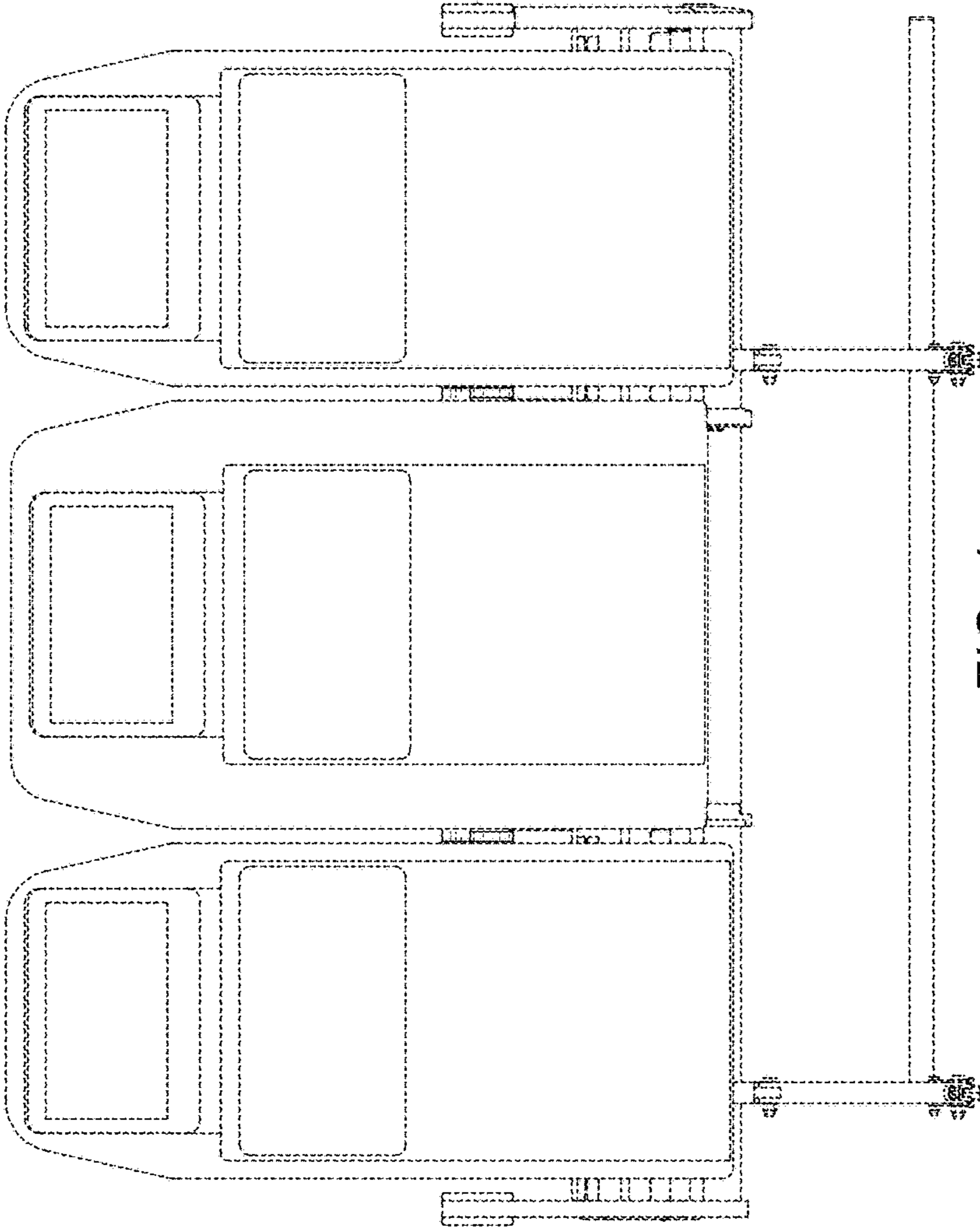


FIG. 4

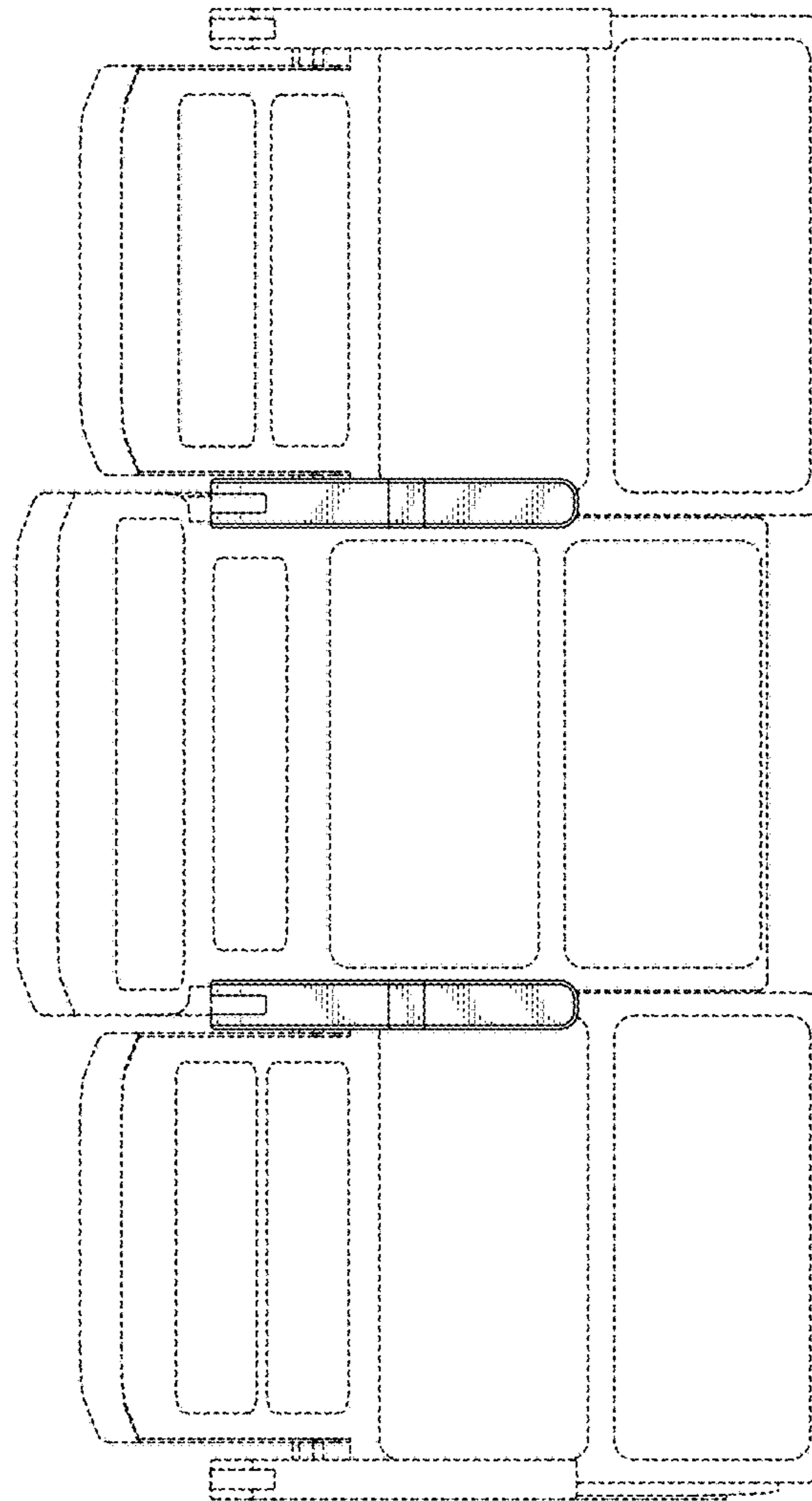


FIG. 5



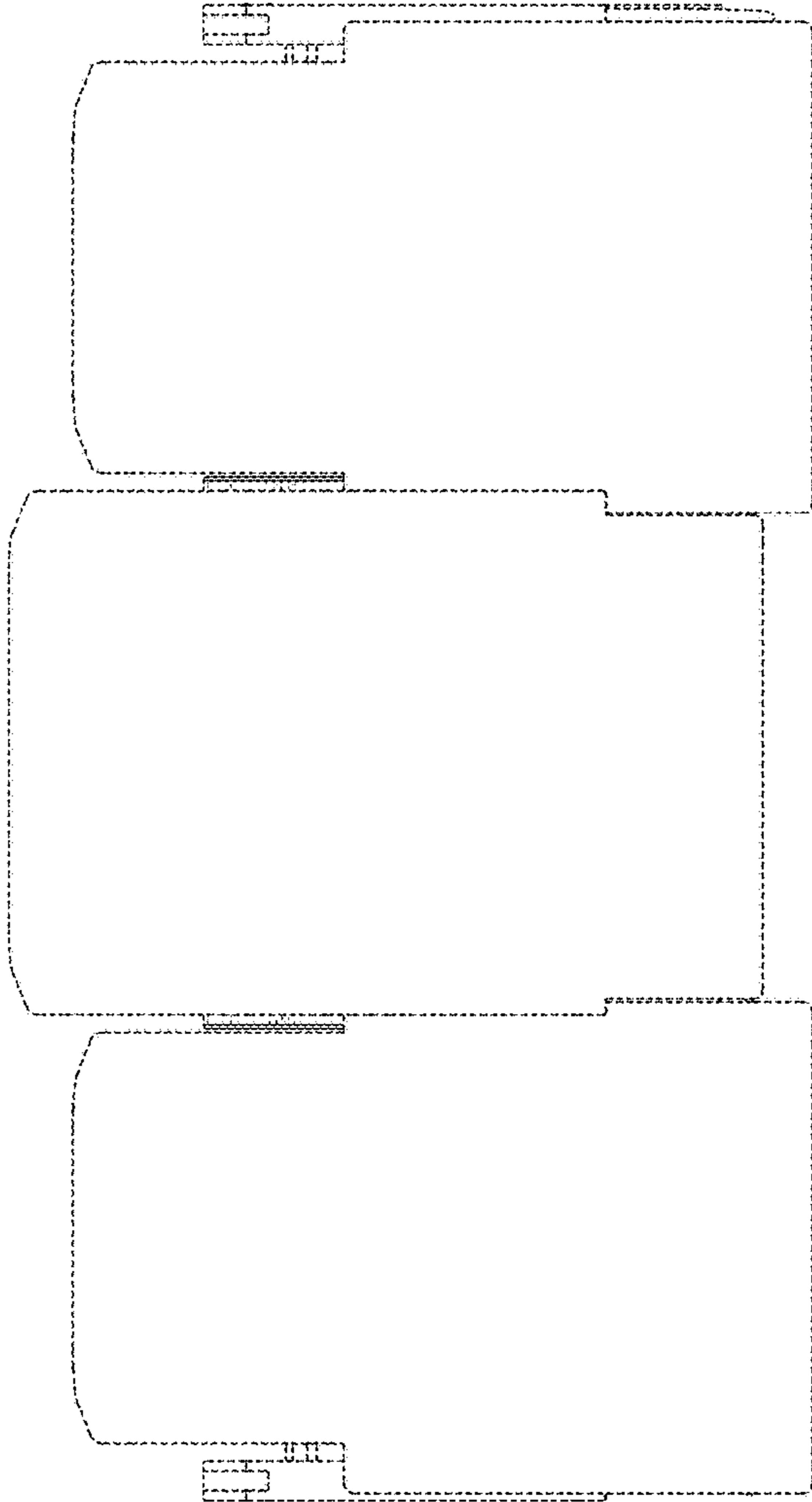


FIG. 6

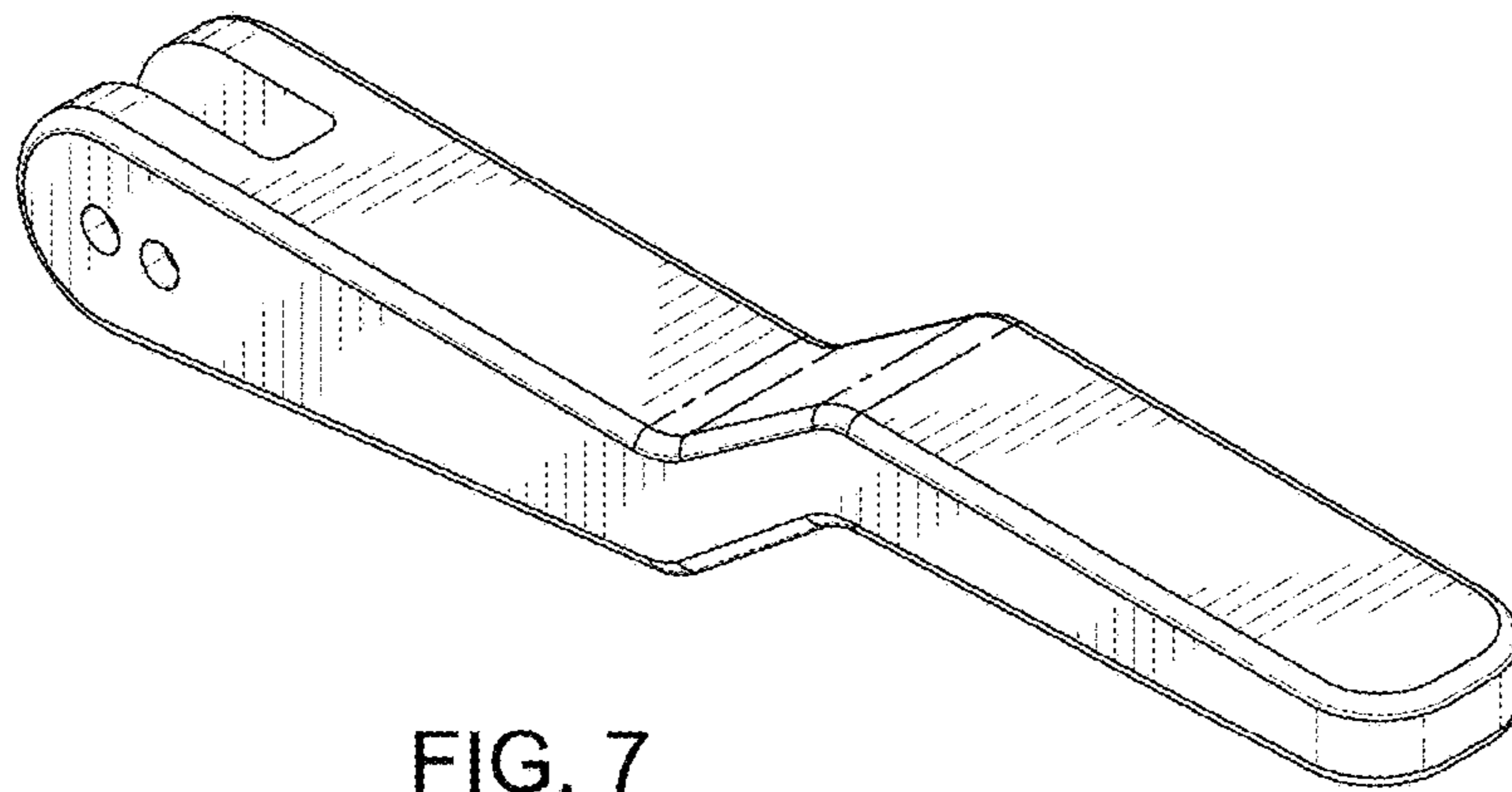


FIG. 7

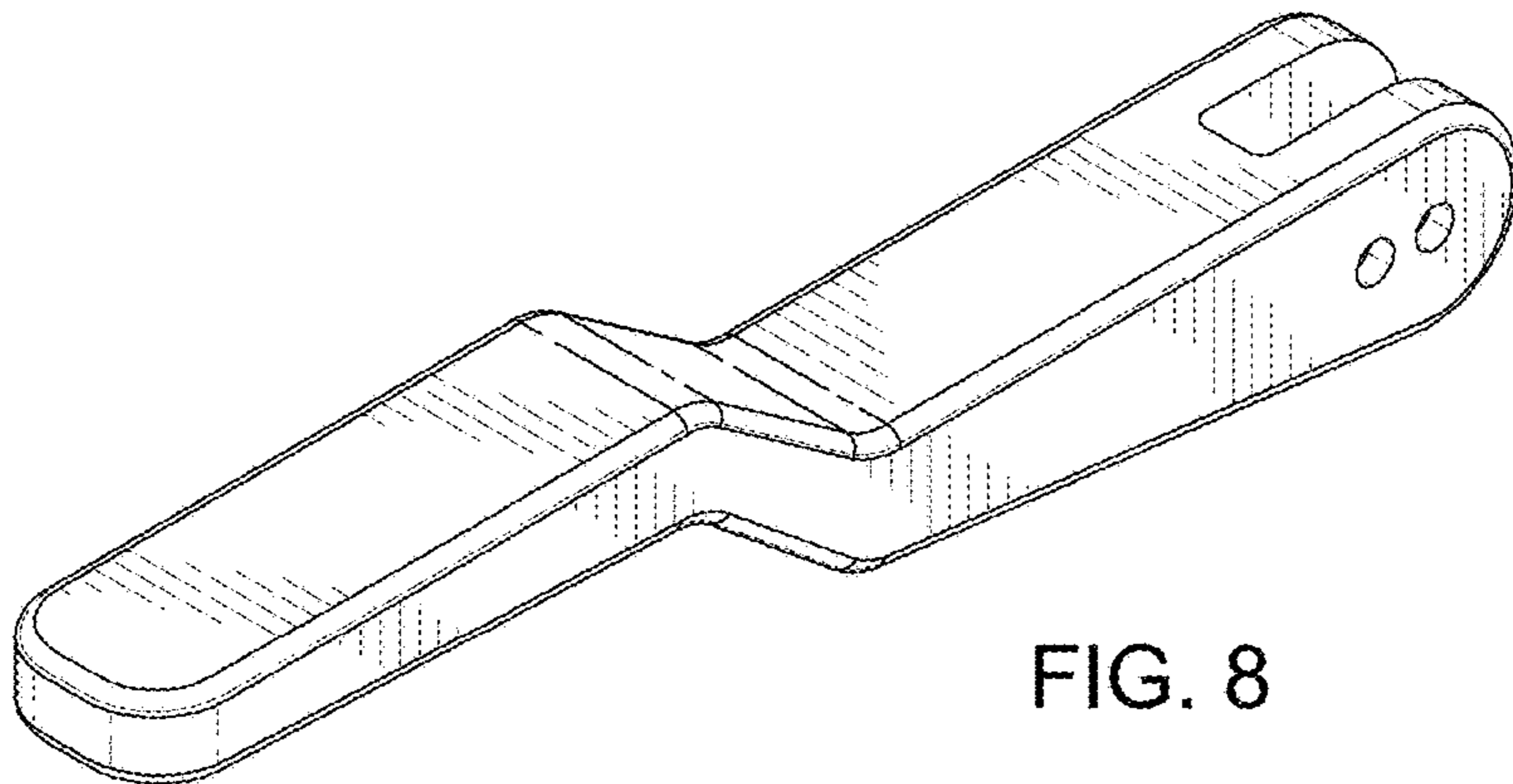


FIG. 8

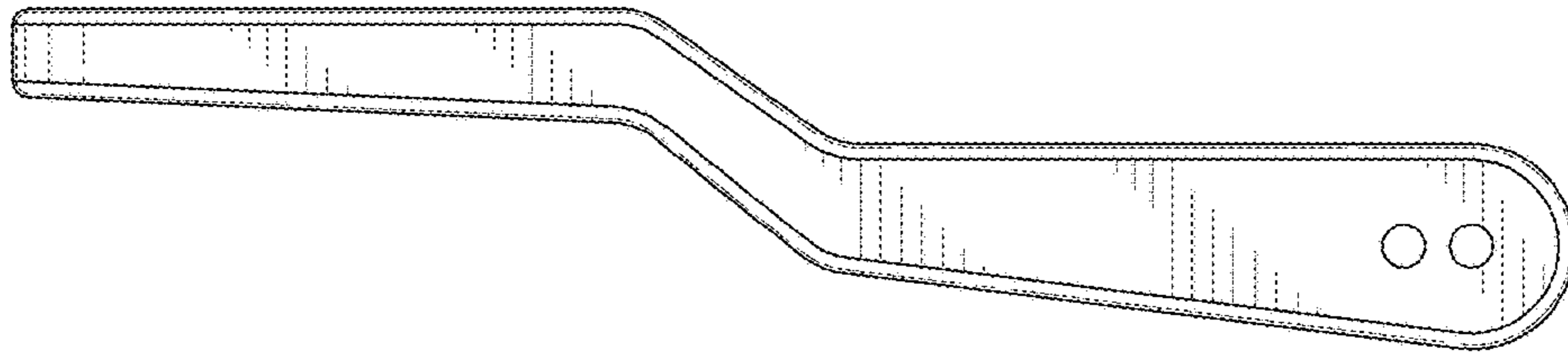


FIG. 9

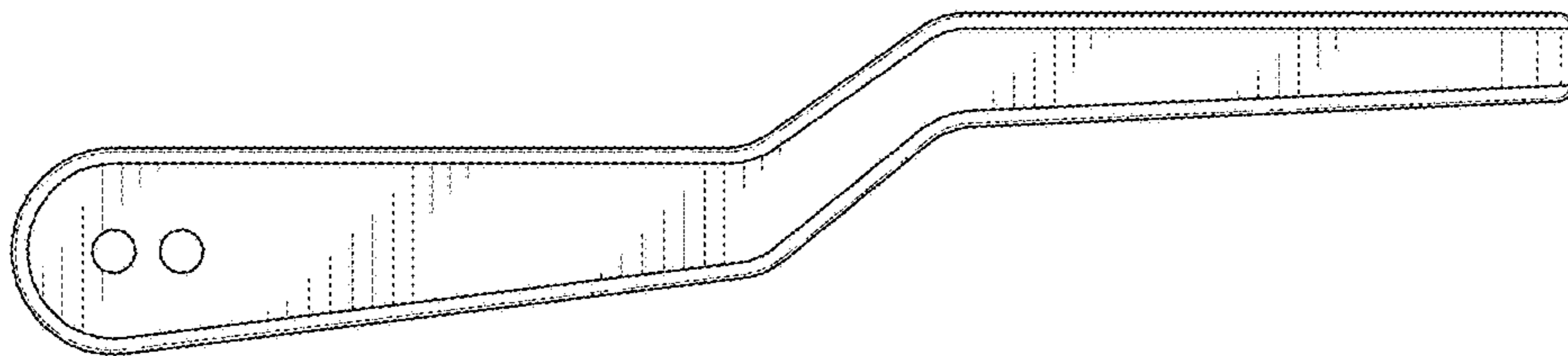


FIG. 10

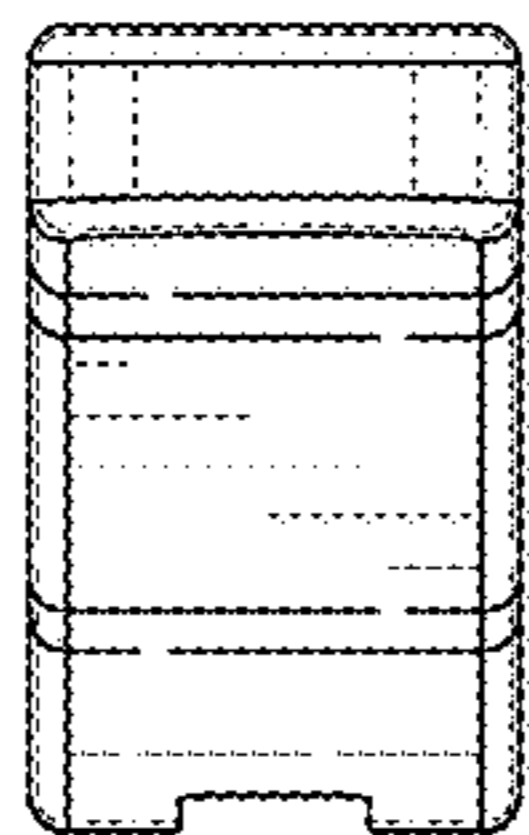


FIG. 11

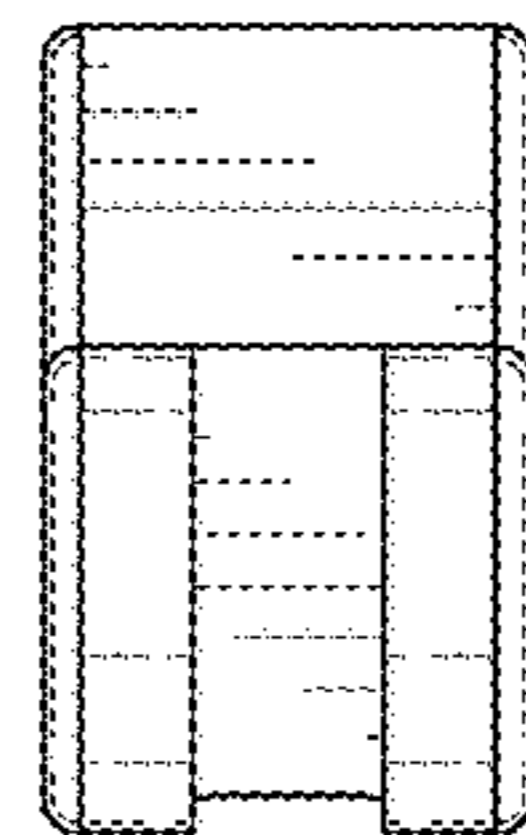


FIG. 12

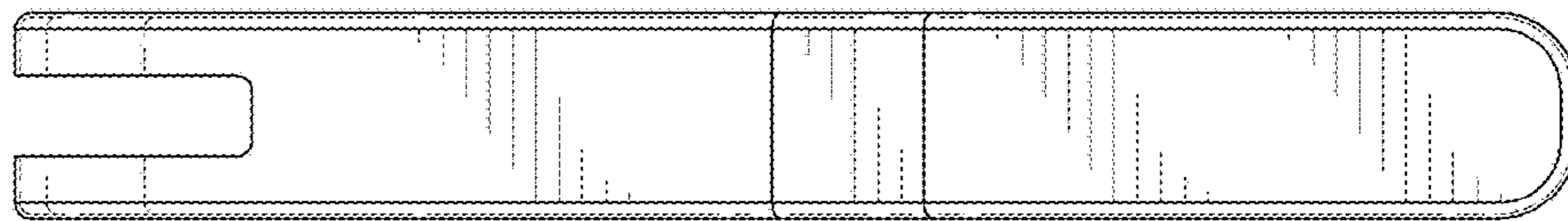


FIG. 13

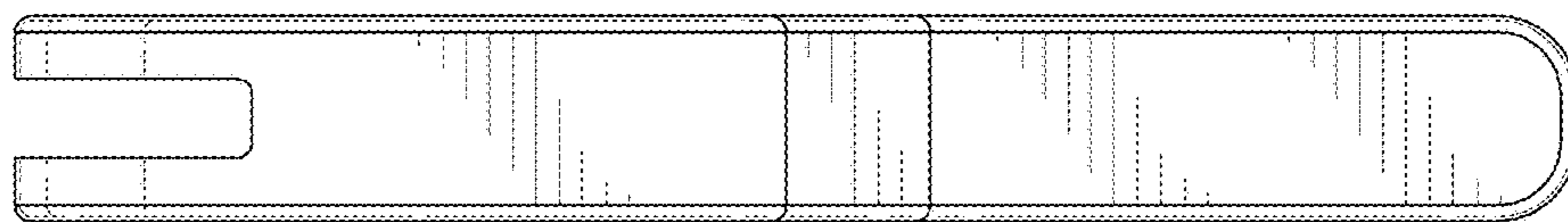


FIG. 14