



US00D867773S

(12) **United States Design Patent** (10) **Patent No.:** **US D867,773 S**
Wang (45) **Date of Patent:** **** Nov. 26, 2019**

(54) **DINING CHAIR**

2002/0212; B60N 2002/0216; B60N
2002/022; A47C 3/00; A47C 3/02; A47C
3/025; A47C 3/20

(71) Applicant: **DONGGUAN HONGSHUO KIDS
TOY CO., LTD.**, Dongguan (CN)

See application file for complete search history.

(72) Inventor: **Yong-Sheng Wang**, Dongguan (CN)

(56) **References Cited**

(73) Assignee: **Dongguan Hongshuo Kids Toy Co.,
Ltd.**, Dongguan (CN)

U.S. PATENT DOCUMENTS

(**) Term: **15 Years**

| | | | | |
|--------------|--------|-------|-------|--------|
| D683,143 S * | 5/2013 | Gold | | D6/339 |
| D730,070 S * | 5/2015 | Daley | | D6/339 |
| D764,819 S * | 8/2016 | Daley | | D6/339 |
| D779,842 S * | 2/2017 | Chuah | | D6/339 |
| D807,656 S * | 1/2018 | Cheng | | D6/339 |
| D844,337 S * | 4/2019 | Yang | | D6/339 |

(21) Appl. No.: **29/666,419**

* cited by examiner

(22) Filed: **Oct. 12, 2018**

(30) **Foreign Application Priority Data**

Primary Examiner — Abraham Bahta

Apr. 24, 2018 (CN) 2018 3 0172116

(74) *Attorney, Agent, or Firm* — Rosenberg, Klein & Lee

(51) **LOC (12) Cl.** **06-01**

(57) **CLAIM**

(52) **U.S. Cl.**

The ornamental design for a dining chair, as shown and described.

USPC **D6/339**

DESCRIPTION

(58) **Field of Classification Search**

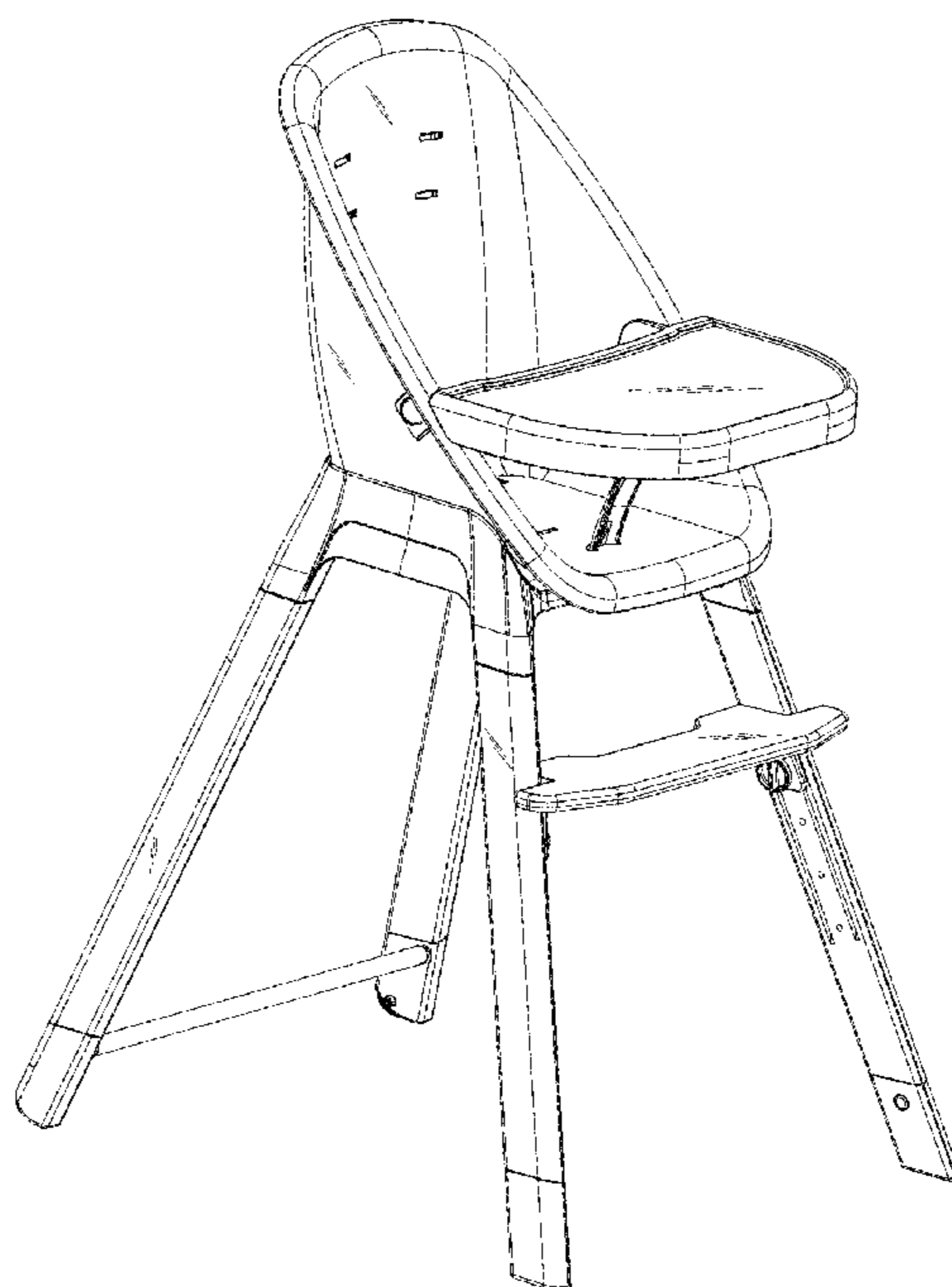
USPC D6/333-336, 339, 344, 702, 716,
D6/716.1-716.7; 297/183.1-183.4,
297/184.13, 184.15, 184.17, 250.1, 255,
297/256.1, 256.15, 219.12, 463.1;
D12/129-130, 133; D21/412, 428, 419;
280/30-31; 5/94, 98.1, 99.1, 101-102,
5/105, 655, 93.1, 12.1; 24/200

FIG. 1 is a top perspective view of the dining chair, showing the new design;
FIG. 2 is a front elevational view thereof;
FIG. 3 is a rear elevational view thereof;
FIG. 4 is a left side elevational view thereof;
FIG. 5 is a right side elevational view thereof;
FIG. 6 is a top plan view thereof; and,
FIG. 7 is a bottom plan view thereof.

CPC A47D 13/02; A47D 13/10; A47D 13/083;
A47D 1/00; A47D 1/002; A47D 1/004;
A47D 1/008; A47D 1/04; B60N 2/22;
B60N 2/24; B60N 2/2821; B60N 2/02;
B60N 2/10; B60N 2/16; B60N

The shaded lines in the figures show contour of the dining chair and not surface ornamentation.

1 Claim, 7 Drawing Sheets



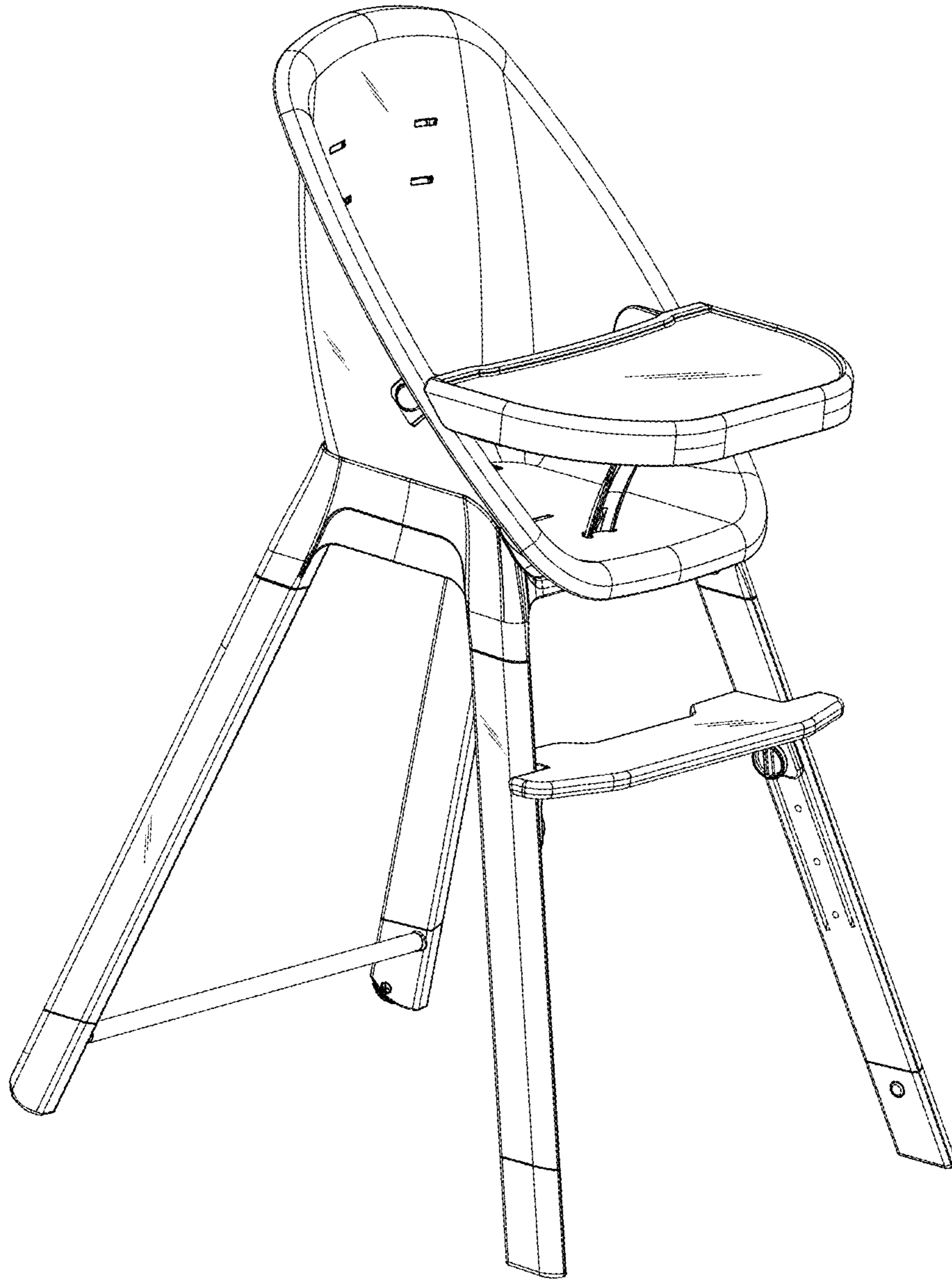


FIG. 1

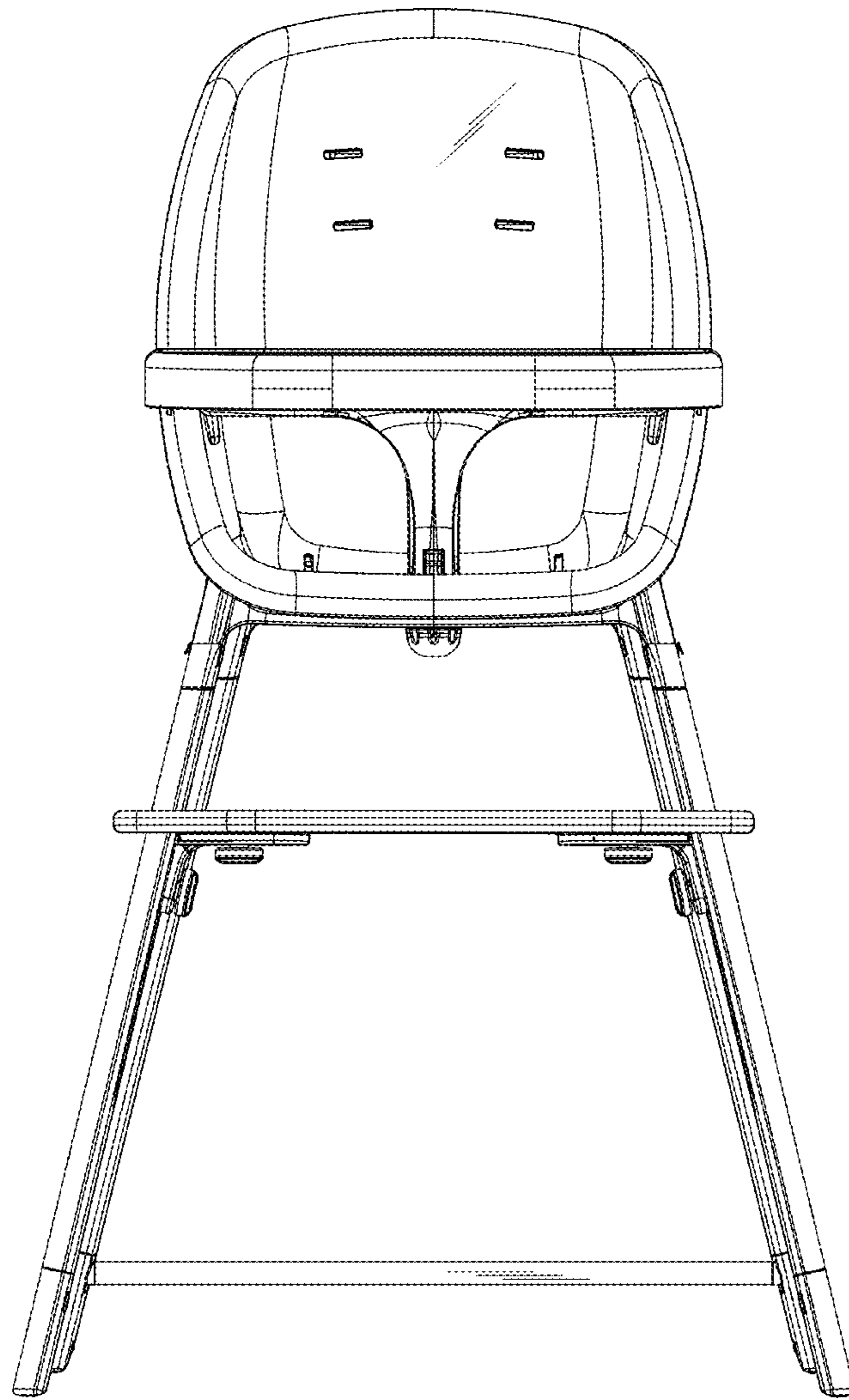


FIG.2

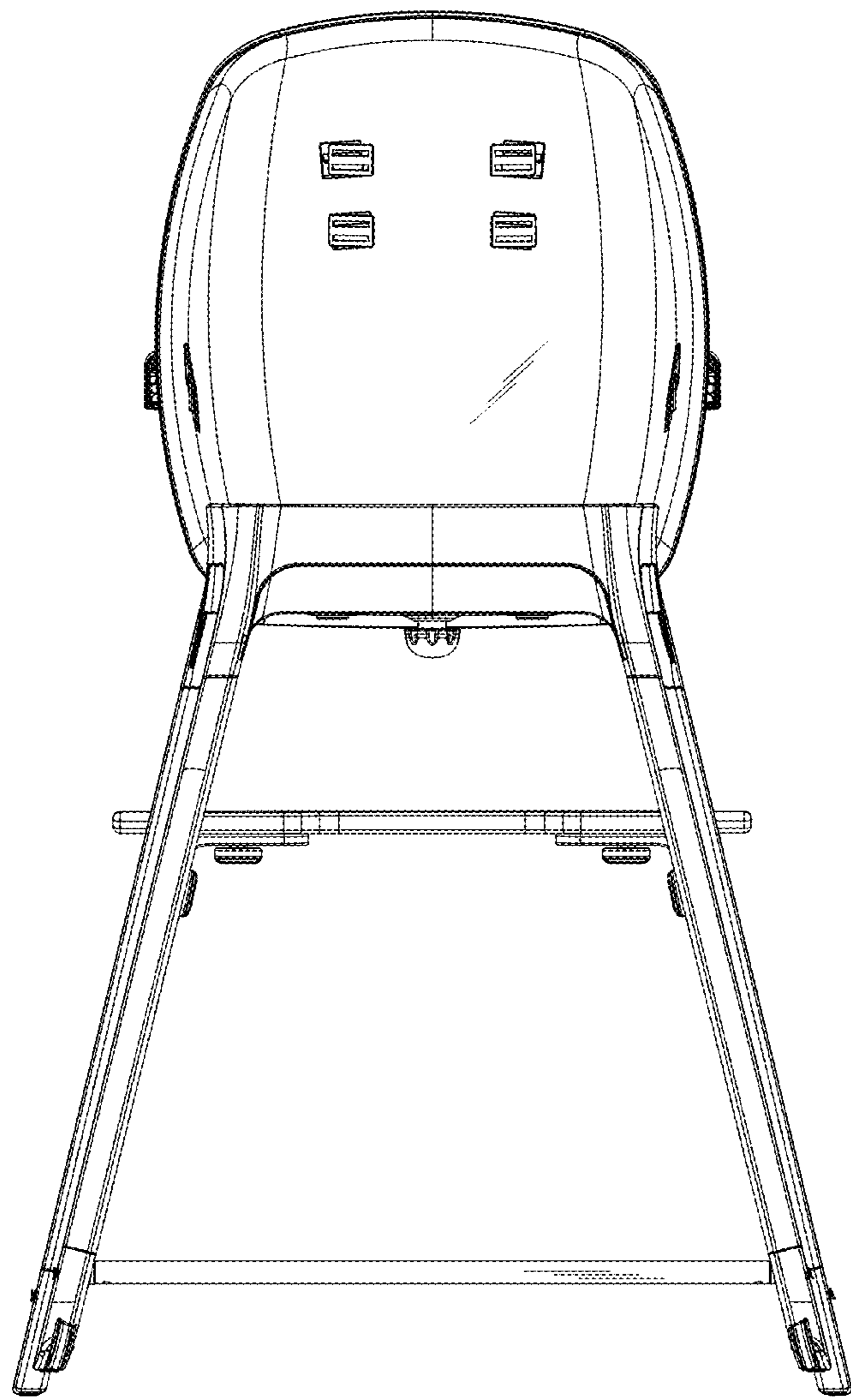


FIG.3

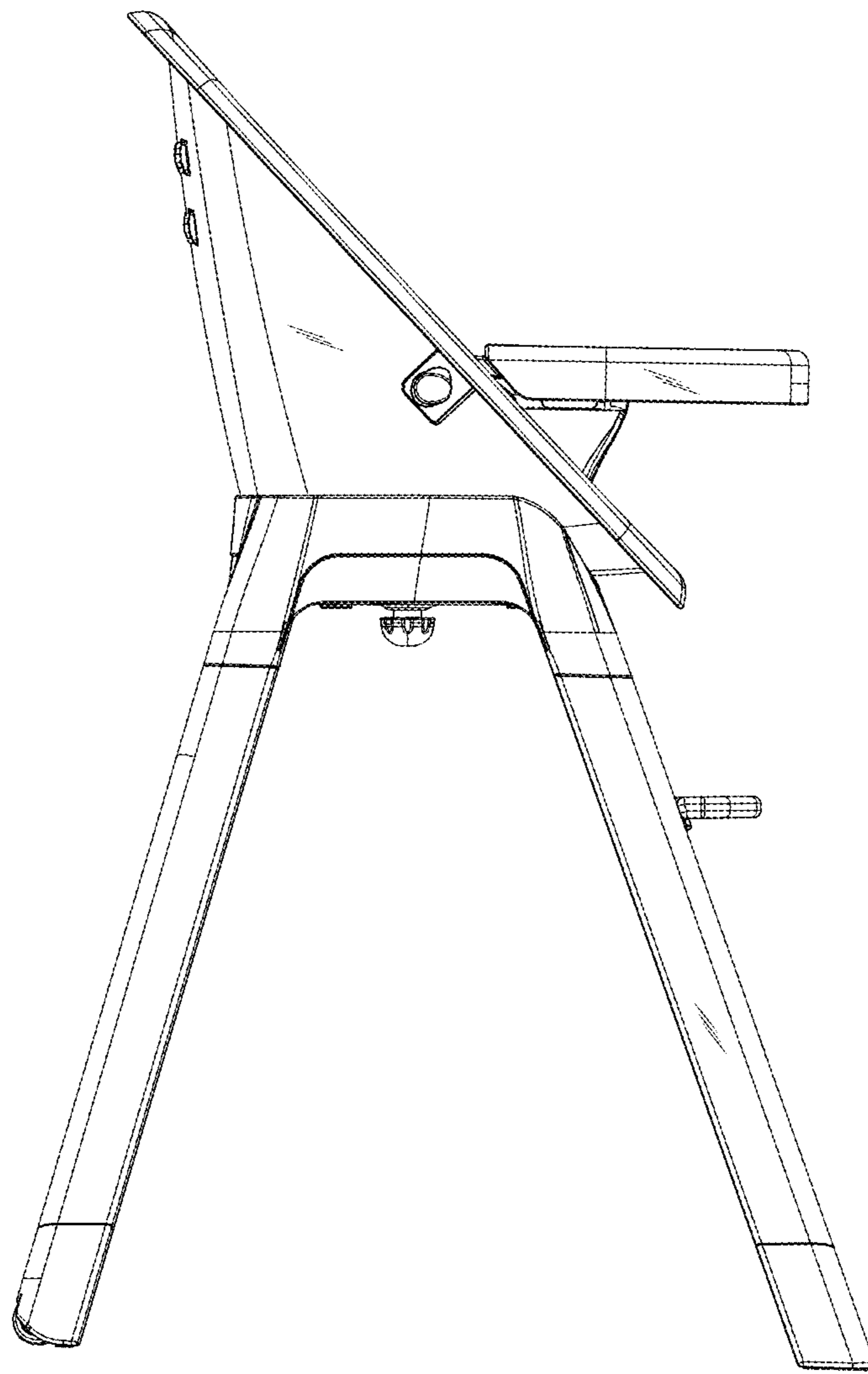


FIG.4

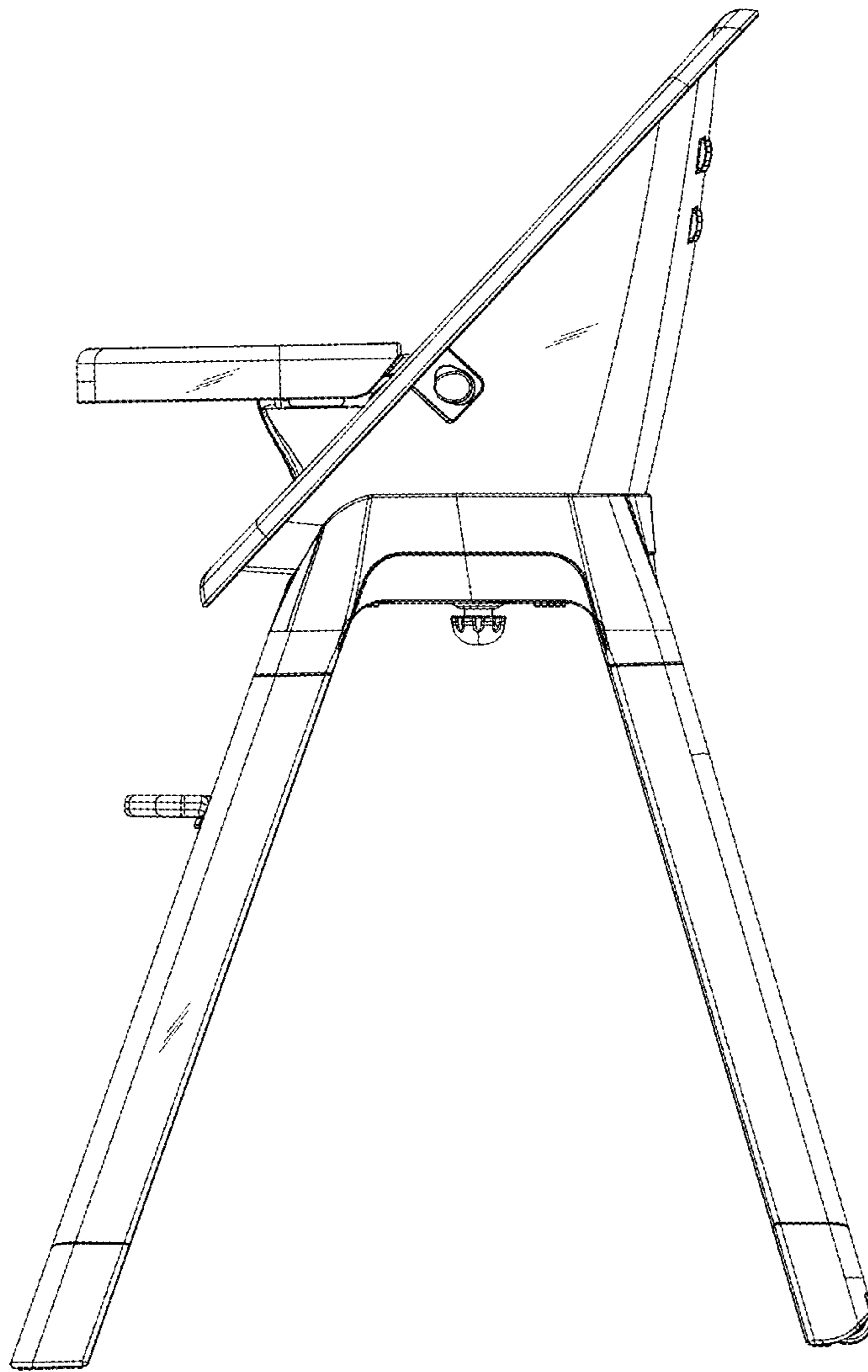


FIG.5

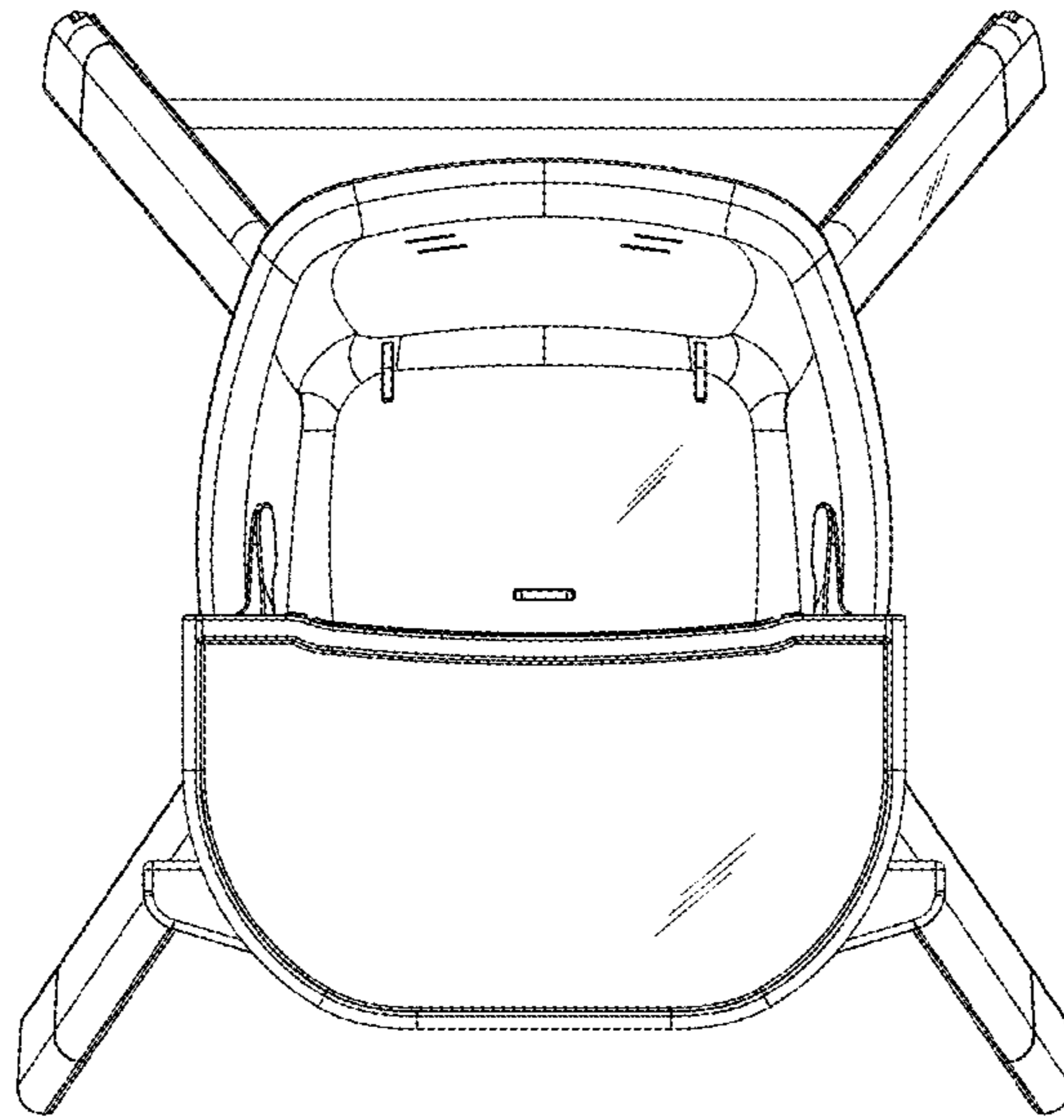


FIG.6

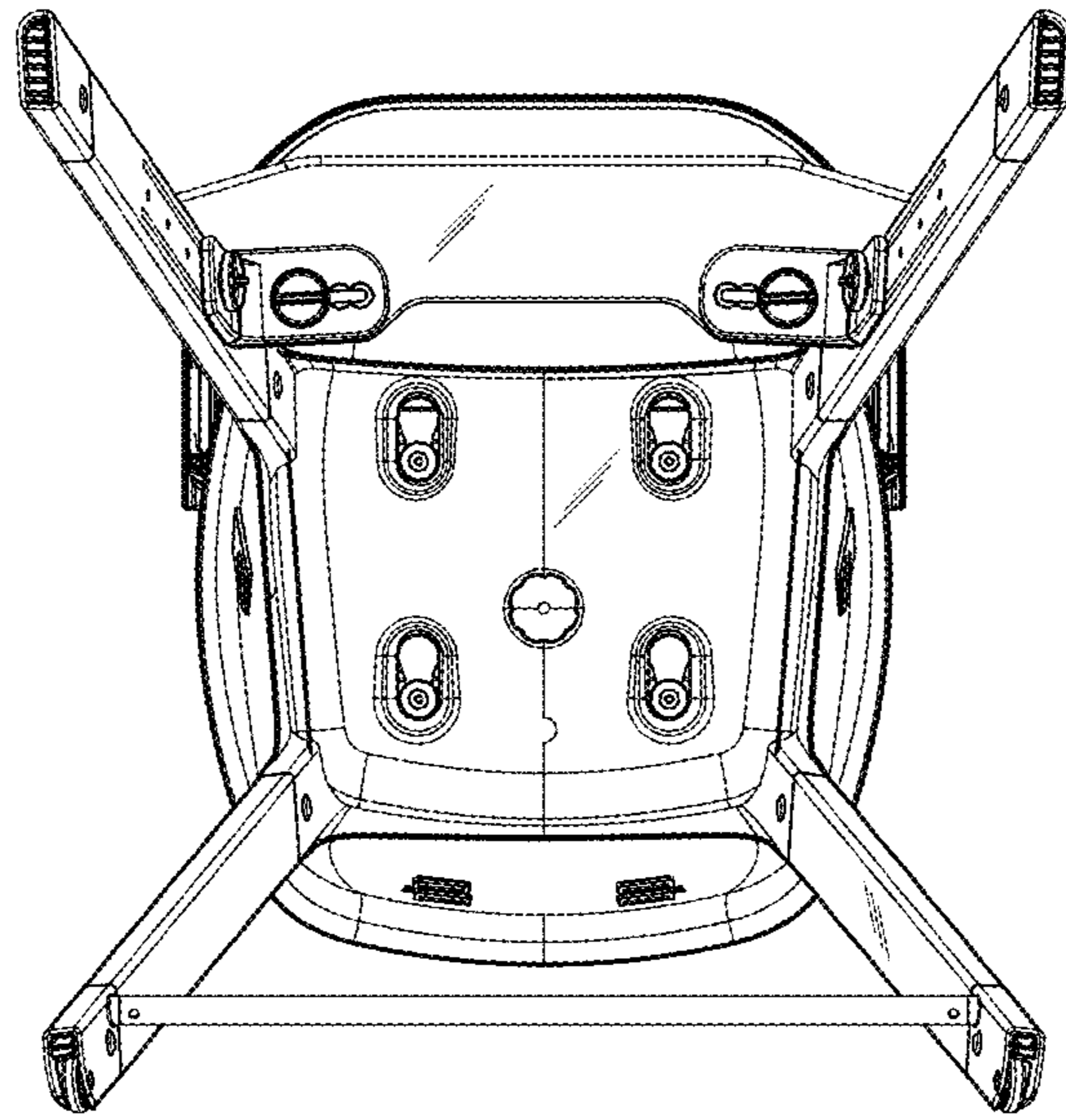


FIG.7