



US00D867772S

(12) **United States Design Patent**  
**Sakich et al.**

(10) **Patent No.:** **US D867,772 S**

(45) **Date of Patent:** **\*\* Nov. 26, 2019**

(54) **RETRACTABLE BED DIVIDER**  
(71) Applicants: **Christopher Sakich**, Littleton, CO  
(US); **Adele Sakich**, Littleton, CO (US)  
(72) Inventors: **Christopher Sakich**, Littleton, CO  
(US); **Adele Sakich**, Littleton, CO (US)

(\*\*) Term: **15 Years**

(21) Appl. No.: **29/587,666**

(22) Filed: **Dec. 14, 2016**

(51) **LOC (12) Cl.** ..... **06-06**

(52) **U.S. Cl.**  
USPC ..... **D6/332**

(58) **Field of Classification Search**  
USPC ..... D6/332, 383, 713, 714; 160/351, 377;  
D11/165, 166; D20/41, 42  
CPC ..... A47B 2200/01; A47B 2200/12; A47B  
2220/0058; E04F 10/04; E04B 2/7416;  
E04B 2/7422; E04B 2/7427; E04B  
2/7433; A47G 5/00; E04H 15/005; A47C  
21/00

See application file for complete search history.

(56) **References Cited**

**U.S. PATENT DOCUMENTS**

930,554 A \* 8/1909 Moody ..... A47C 21/00  
160/127  
1,432,383 A \* 10/1922 Comings ..... A47C 21/00  
160/127  
1,472,731 A \* 10/1923 Marvin ..... A47C 21/00  
24/72.5  
1,669,573 A \* 5/1928 Pejka ..... A47C 21/00  
5/513  
1,875,522 A \* 9/1932 Sweet ..... A47C 21/00  
5/513  
1,979,520 A \* 11/1934 Abrams ..... A47C 21/00  
5/513  
2,510,656 A \* 6/1950 Randel ..... A47C 21/00  
5/513

5,694,733 A \* 12/1997 Gallemore, II ..... G09F 17/00  
116/173  
D393,489 S \* 4/1998 Tobor ..... D20/41  
6,510,572 B2 \* 1/2003 Horowitz ..... A47C 21/00  
160/351  
D479,277 S \* 9/2003 Strunk ..... D20/41  
9,737,151 B1 \* 8/2017 Orlando ..... A47C 21/00  
2008/0276371 A1 \* 11/2008 Stowers ..... A47C 21/00  
5/513

\* cited by examiner

*Primary Examiner* — Kevin K Rudzinski

*Assistant Examiner* — Kimberly Barnes

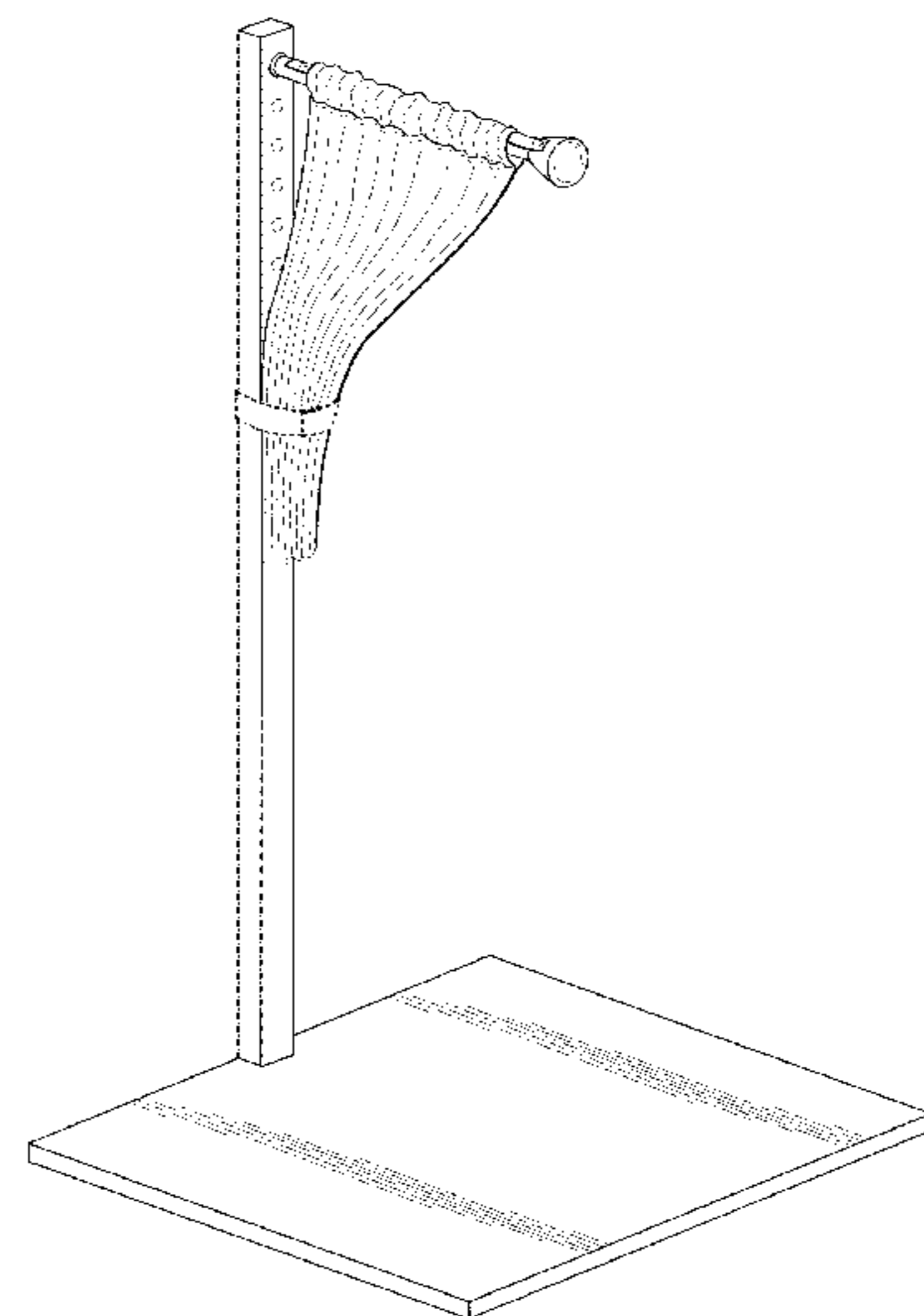
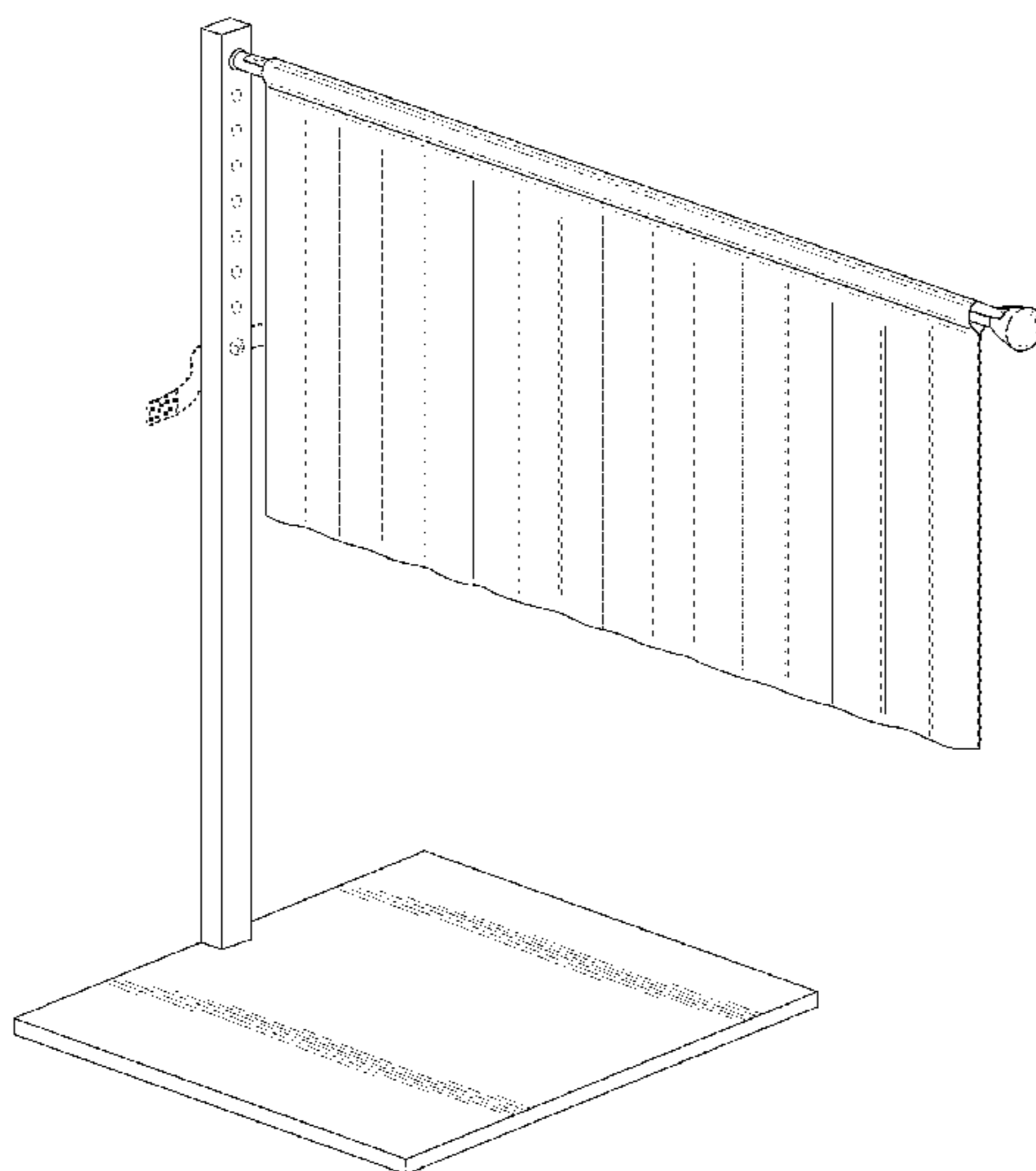
(57) **CLAIM**

The ornamental design for a retractable bed divider substantially, as shown and described.

**DESCRIPTION**

FIG. 1 is a perspective view of a retractable bed divider, showing our design in an open position;  
FIG. 2 is a perspective view of the retractable bed divider in a closed or retracted position;  
FIG. 3 is a front view corresponding to FIG. 1;  
FIG. 4 is a back view corresponding to FIG. 1;  
FIG. 5 is a right-side view corresponding to FIG. 1, wherein the left-side view (not shown) is a mirror image of the right-side view;  
FIG. 6 is a top view corresponding to FIG. 1;  
FIG. 7 is a bottom view corresponding to FIG. 1; and,  
FIG. 8 is a perspective view of the retractable bed divider depicting example use in a bed, wherein the environmental subject matter including a bed, light, people and blankets shown in broken lines form no part of the claimed design. The broken lines shown in FIGS. 1-7 depict portions of the retractable bed divider that form no part of the claimed design. The line of stitching on the material below the rod forms part of the claimed design.

**1 Claim, 6 Drawing Sheets**



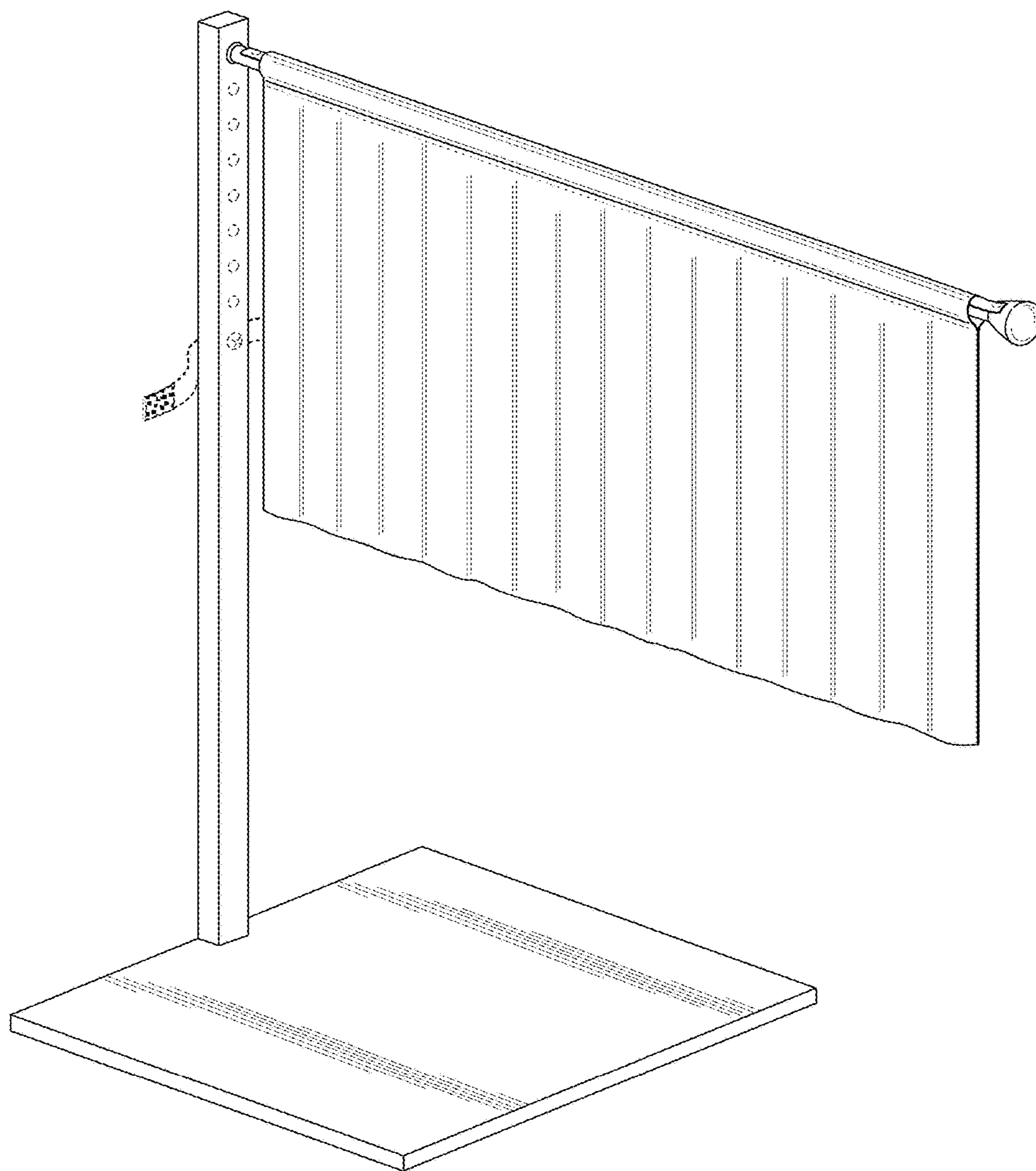


FIG. 1

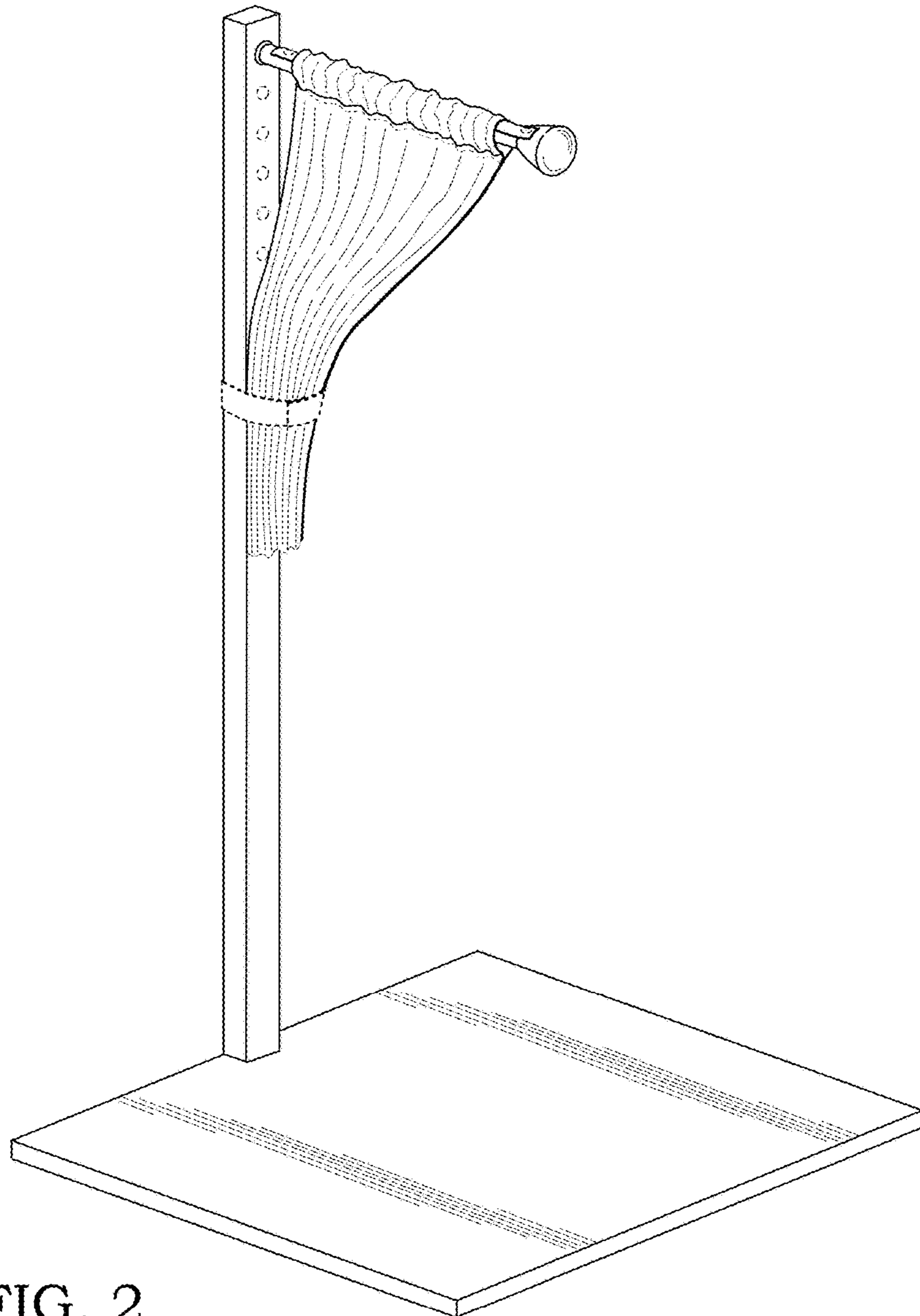


FIG. 2

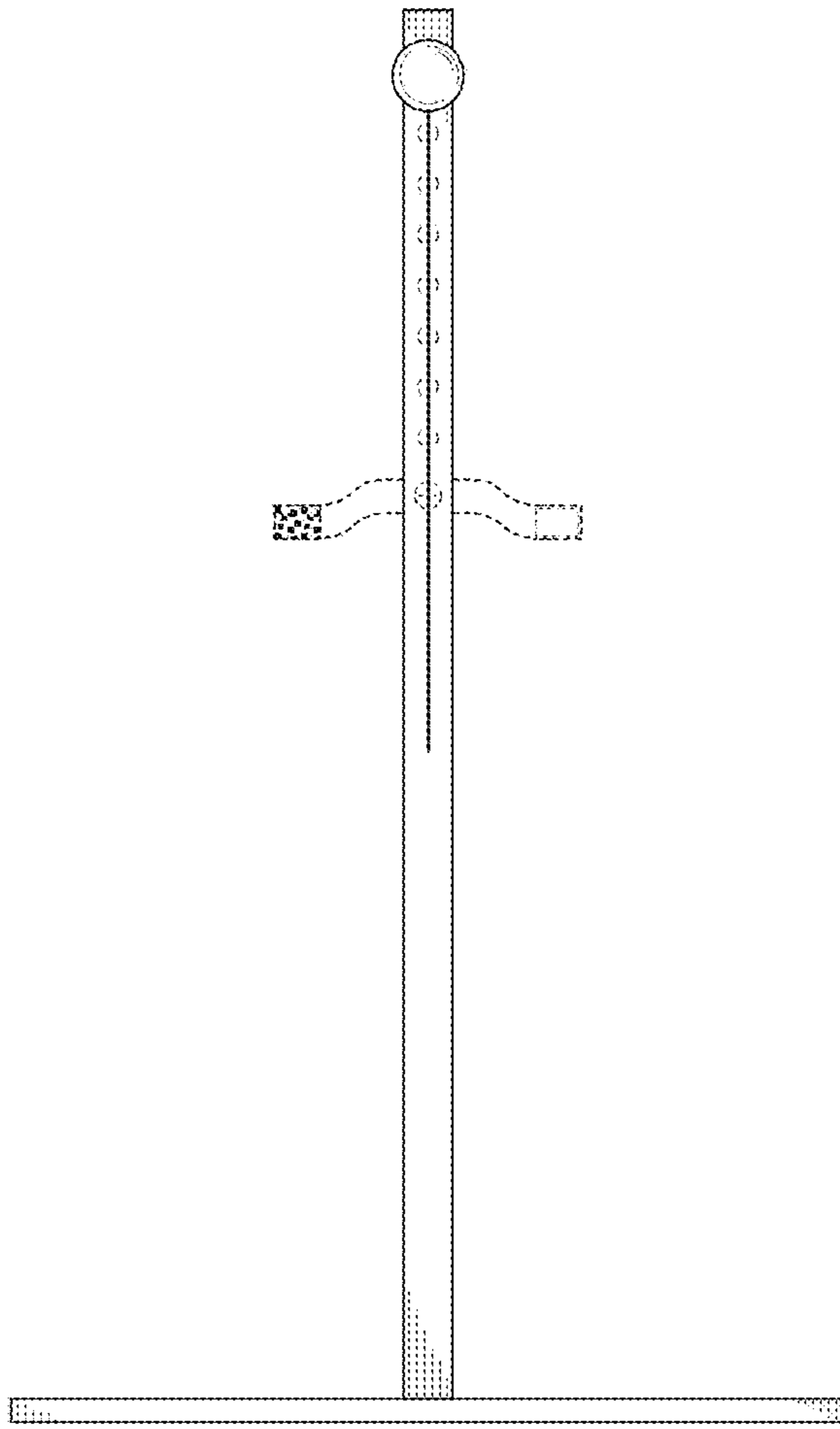


FIG. 3

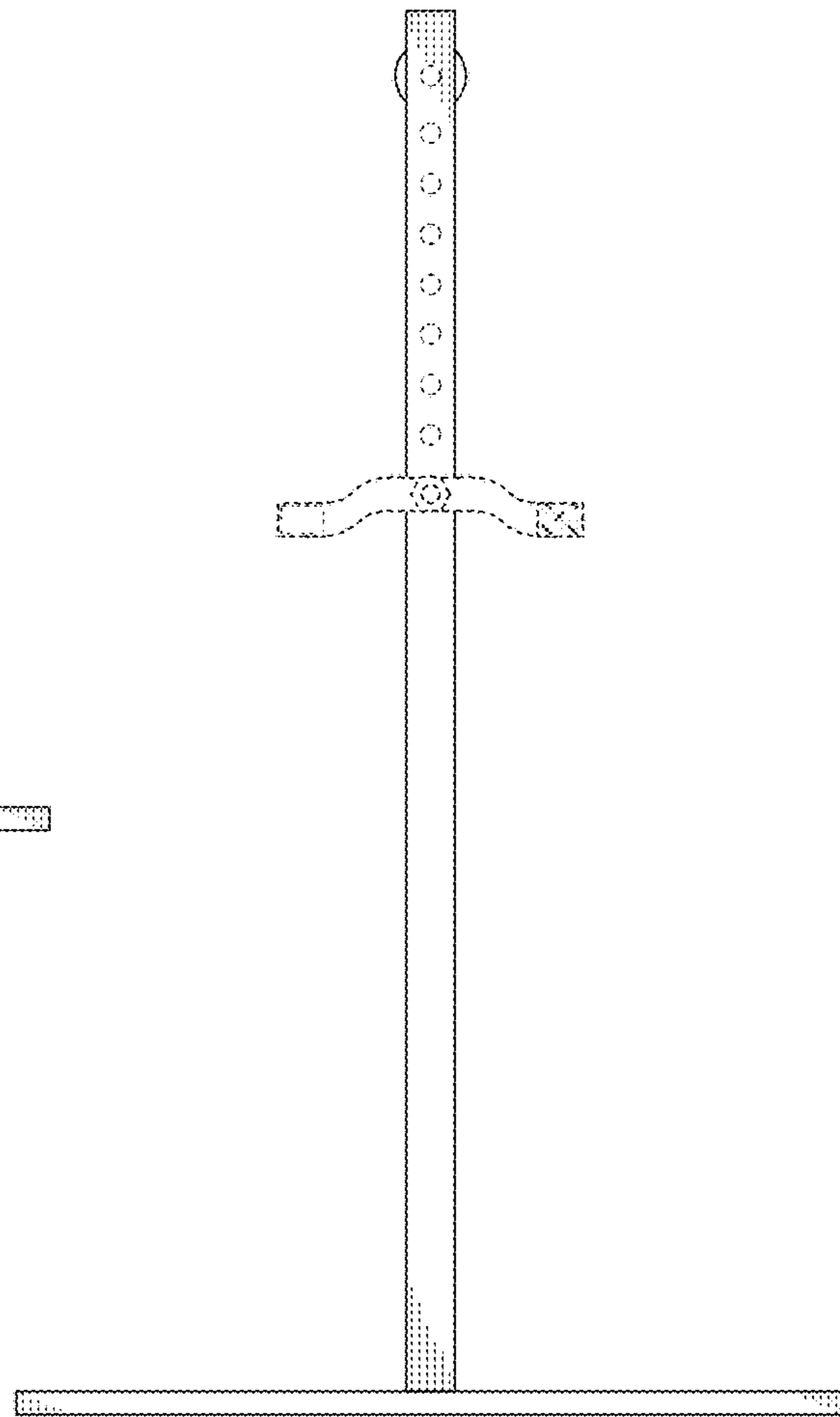


FIG. 4

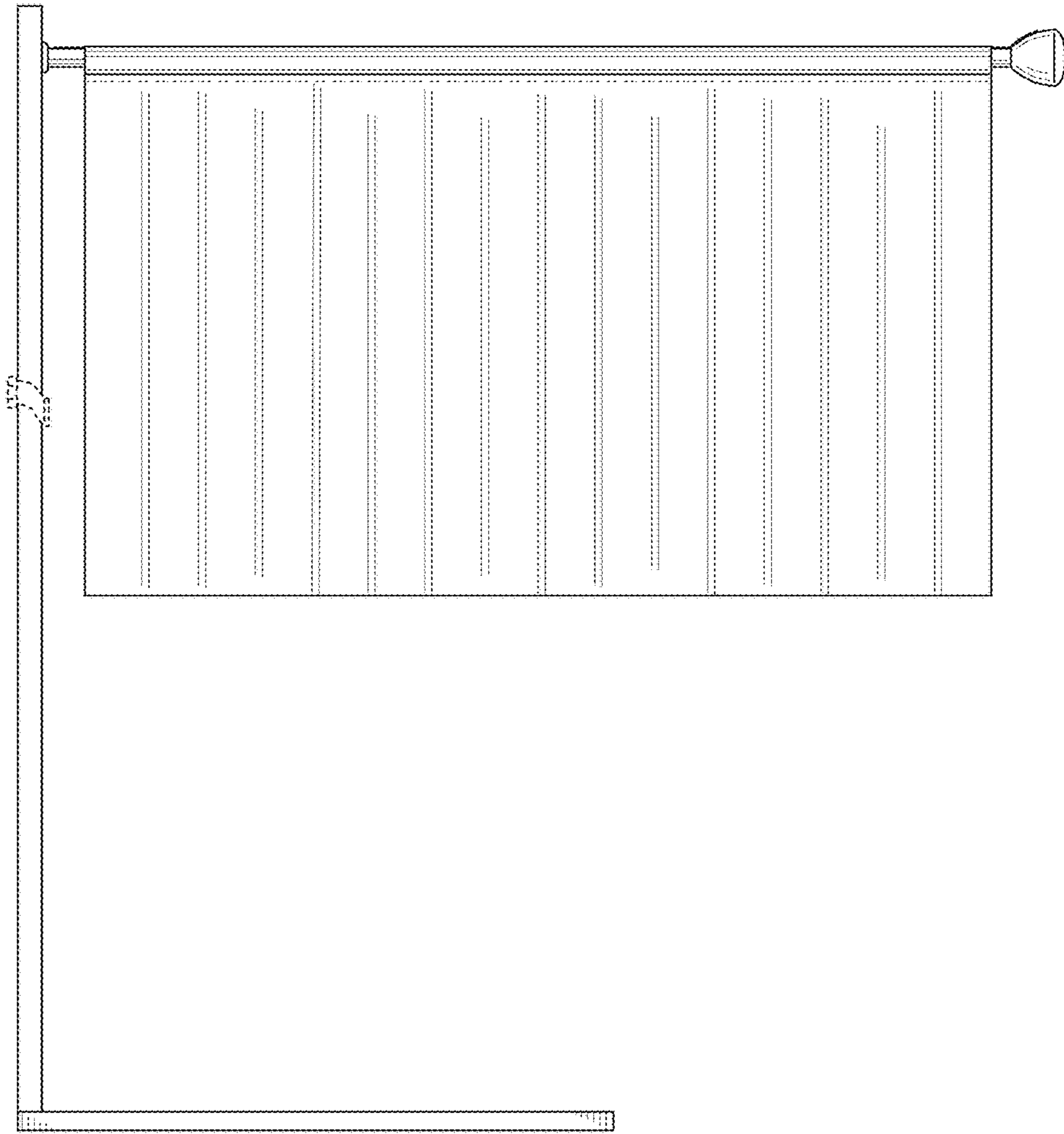


FIG. 5



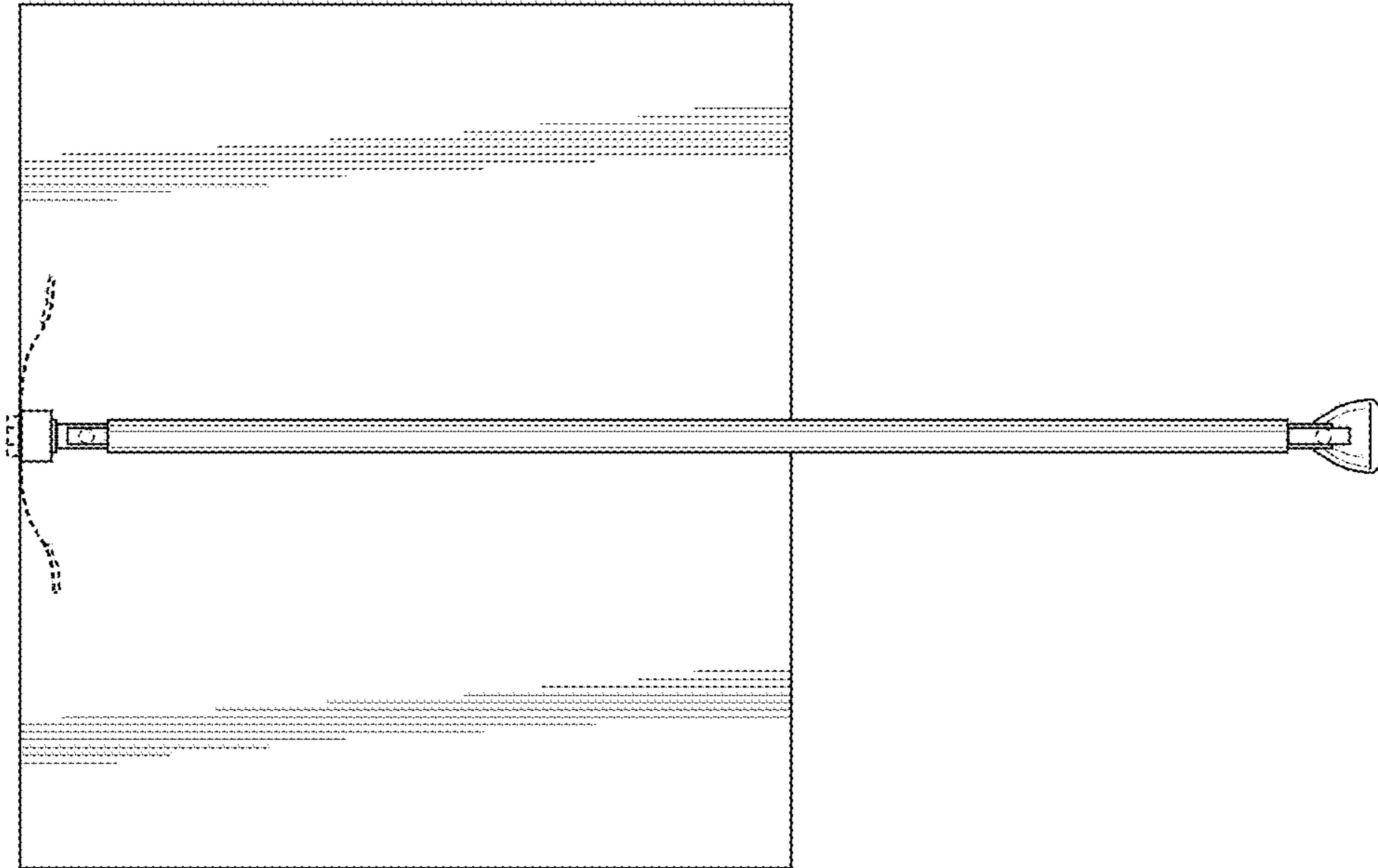


FIG. 6

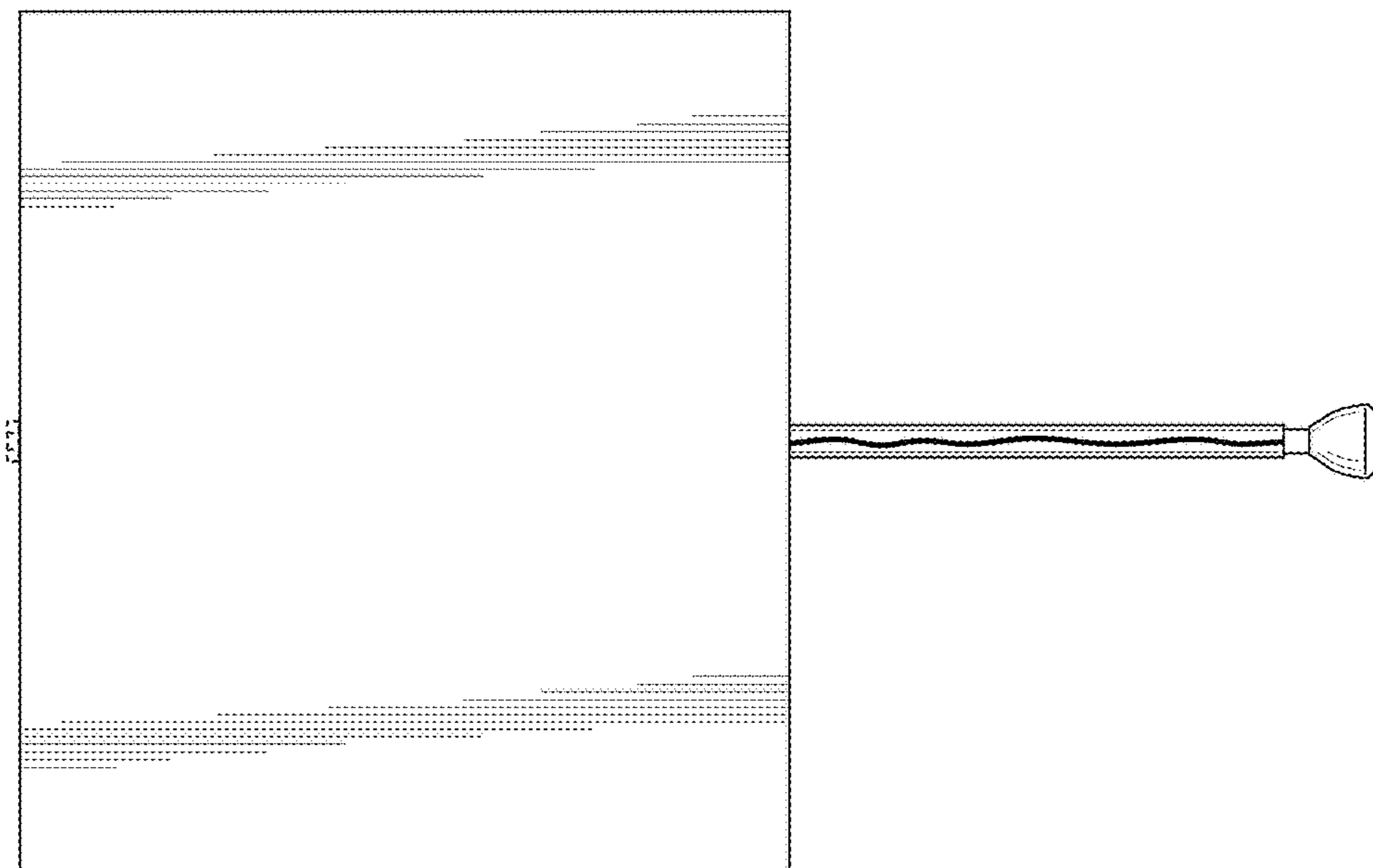


FIG. 7

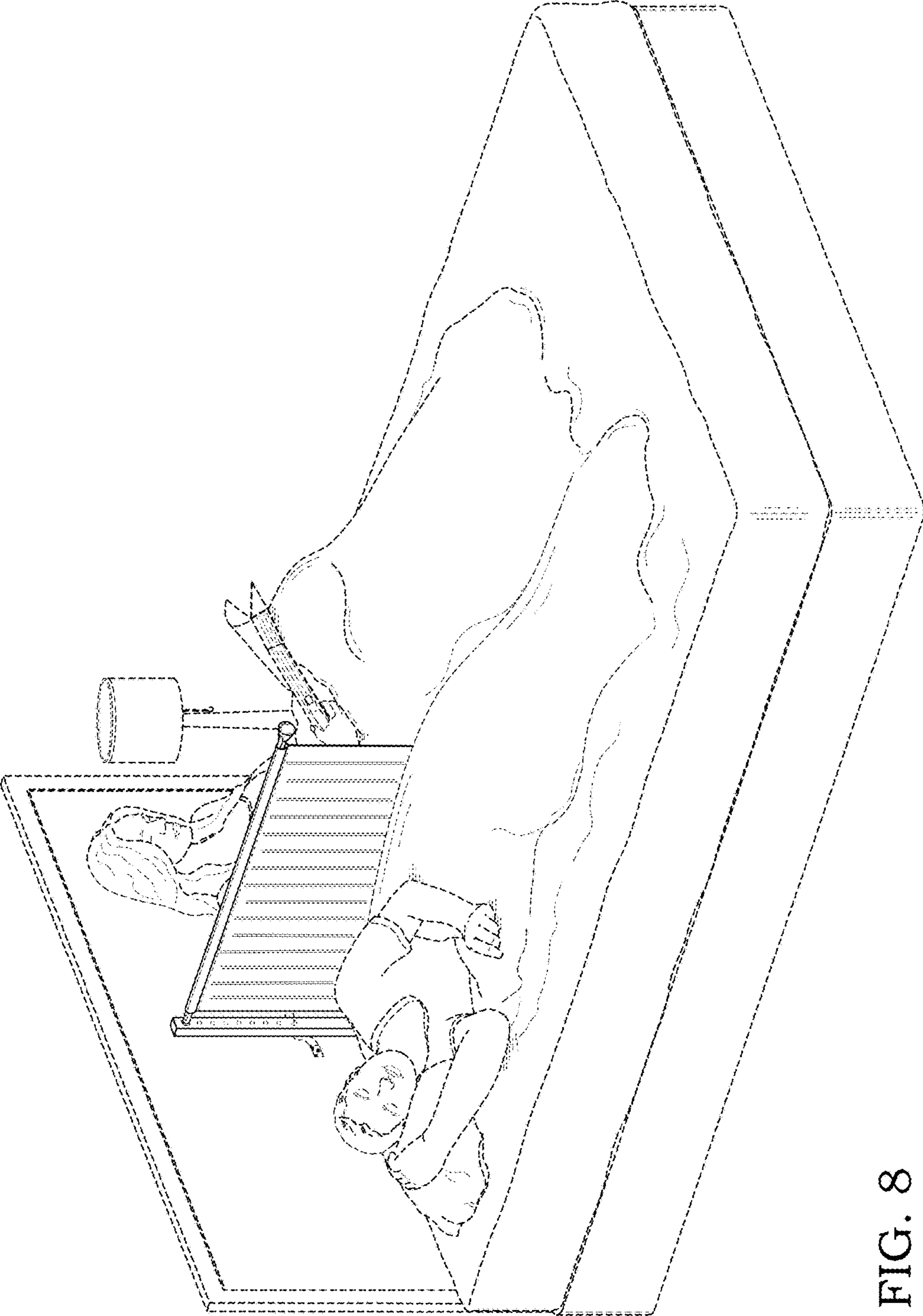


FIG. 8