



US00D867769S

(12) **United States Design Patent**
Wright

(10) **Patent No.:** **US D867,769 S**

(45) **Date of Patent:** **** Nov. 26, 2019**

- (54) **FOOTWEAR HANGER**
- (71) Applicant: **Phineas Group (UK) Limited**, Bristol (GB)
- (72) Inventor: **Daniel Charles Wright**, Bristol (GB)
- (73) Assignee: **Phineas Group (UK) Limited**, Bristol (GB)

(**) Term: **15 Years**

(21) Appl. No.: **29/664,685**

(22) Filed: **Sep. 27, 2018**

(30) **Foreign Application Priority Data**

Mar. 27, 2018 (GB) 6031693

(51) **LOC (12) Cl.** **06-08**

(52) **U.S. Cl.**
USPC **D6/315; D6/328**

(58) **Field of Classification Search**
USPC D6/315-328
CPC A47G 25/005; A47G 25/28; A47G 25/36;
A47G 25/743; A47G 25/1457; A47F
7/08; A47F 7/19

See application file for complete search history.

(56) **References Cited**

U.S. PATENT DOCUMENTS

- D64,774 S 5/1924 Ten Eyck
- 1,794,416 A 3/1931 Murray
- 1,833,388 A 11/1931 Carmack
- D108,579 S 2/1938 Perrone
- D117,078 S 10/1939 Stein
- D149,517 S 5/1948 Read
- D164,710 S 10/1951 Perry
- 3,194,458 A 7/1965 Bennett
- D210,333 S 2/1968 Apy
- D296,046 S * 6/1988 Marshall; David J D6/315

- 4,823,962 A * 4/1989 Arias A47G 25/005
211/113
- 5,282,553 A * 2/1994 Ibled A47G 25/005
206/292
- 5,911,347 A * 6/1999 Jackstat A47G 25/005
211/37
- D432,584 S * 10/2000 Wakatake D20/42
- 6,402,105 B1 * 6/2002 Hoyt A47F 7/08
211/113
- 7,219,821 B2 * 5/2007 Weal A47G 25/005
223/85
- D702,049 S 4/2014 Lazri
- D703,449 S * 4/2014 Collings D6/323
- D709,293 S 7/2014 Collings
- D711,122 S 8/2014 Collings
- D711,124 S 8/2014 Collings
- D803,584 S * 11/2017 Segasby D6/315
- D803,585 S * 11/2017 Segasby D6/315
- D803,586 S * 11/2017 Segasby D6/315

(Continued)

Primary Examiner — Lauren R Calve

(74) *Attorney, Agent, or Firm* — Banner & Witcoff, Ltd.

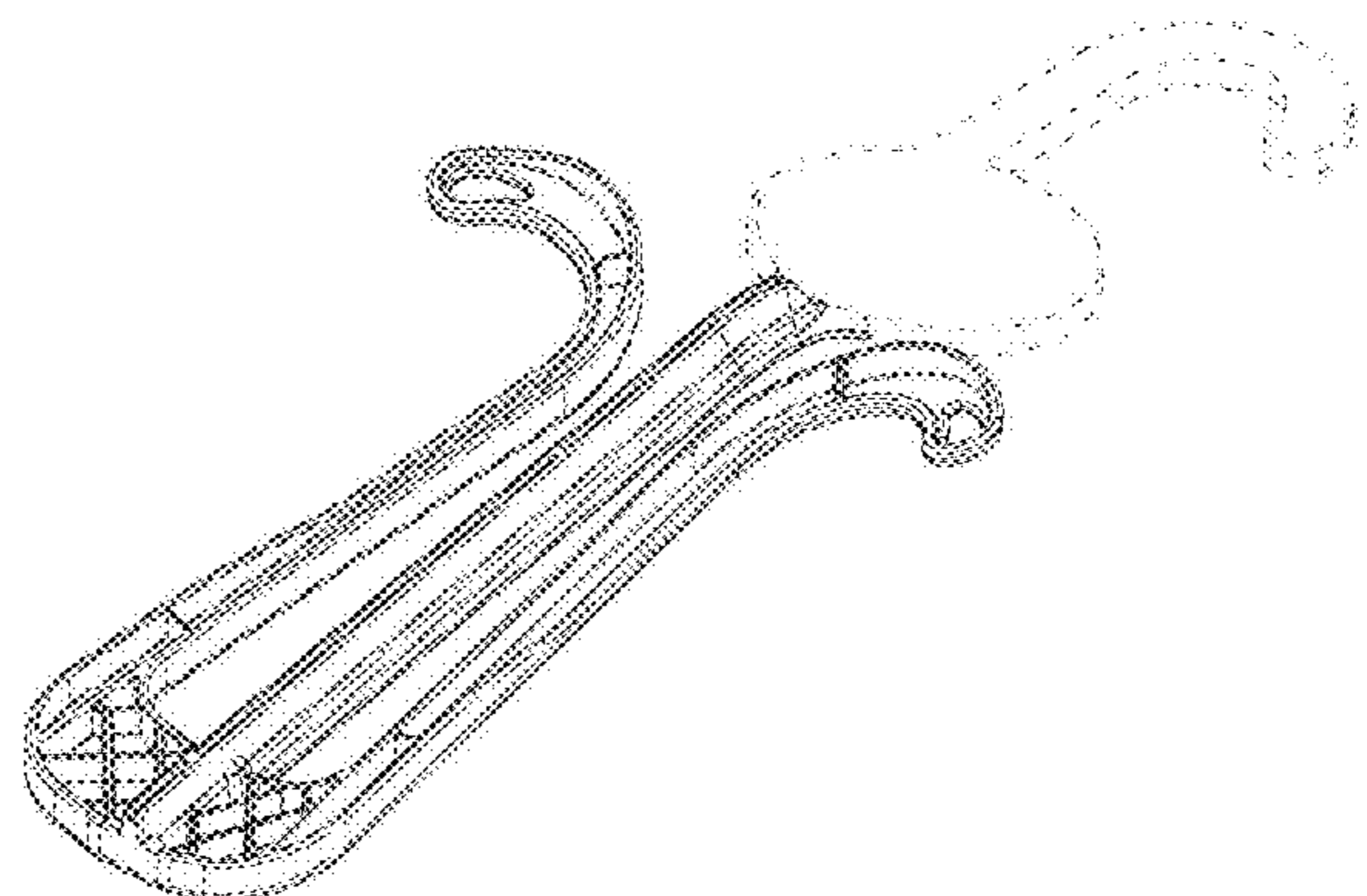
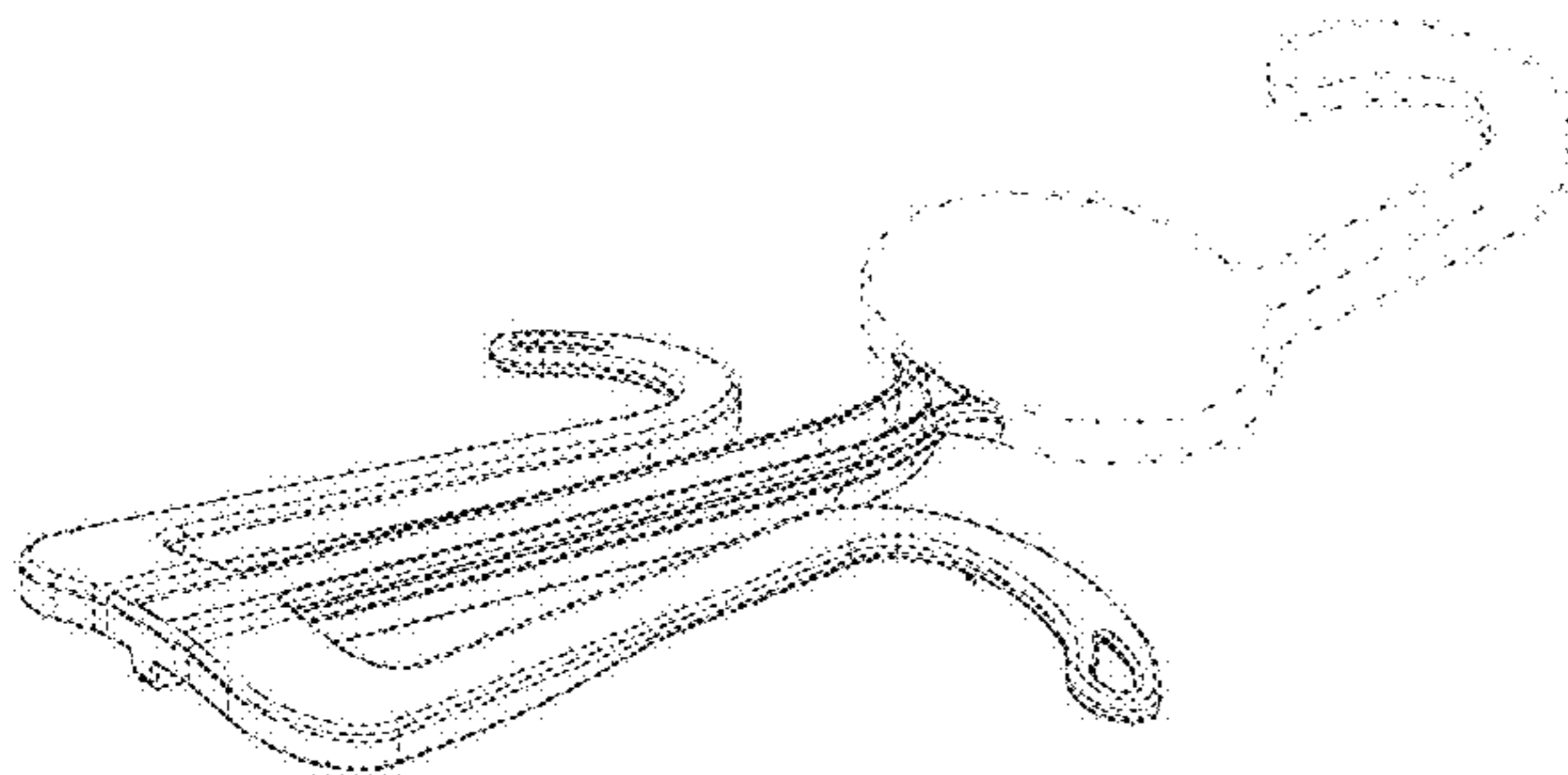
(57) **CLAIM**

The ornamental design for a footwear hanger, as shown and described.

DESCRIPTION

FIG. 1 is a bottom, front, right perspective view of a footwear hanger showing my new design;
 FIG. 2 is a front view thereof;
 FIG. 3 is a left side view thereof;
 FIG. 4 is a right side view thereof;
 FIG. 5 is a rear view thereof;
 FIG. 6 is a top view thereof;
 FIG. 7 is a bottom view thereof; and,
 FIG. 8 is a bottom, rear, left perspective view thereof.
 The broken lines depicting the remainder of the footwear hanger show features that form no part of the claimed design.

1 Claim, 8 Drawing Sheets



(56)

References Cited

U.S. PATENT DOCUMENTS

D804,197 S * 12/2017 Segasby D6/315
2007/0251894 A1 * 11/2007 Kelley A47F 7/08
211/34
2011/0247185 A1 * 10/2011 Bolden A43B 3/00
24/716
2013/0221040 A1 * 8/2013 Wright A47G 25/005
223/85

* cited by examiner

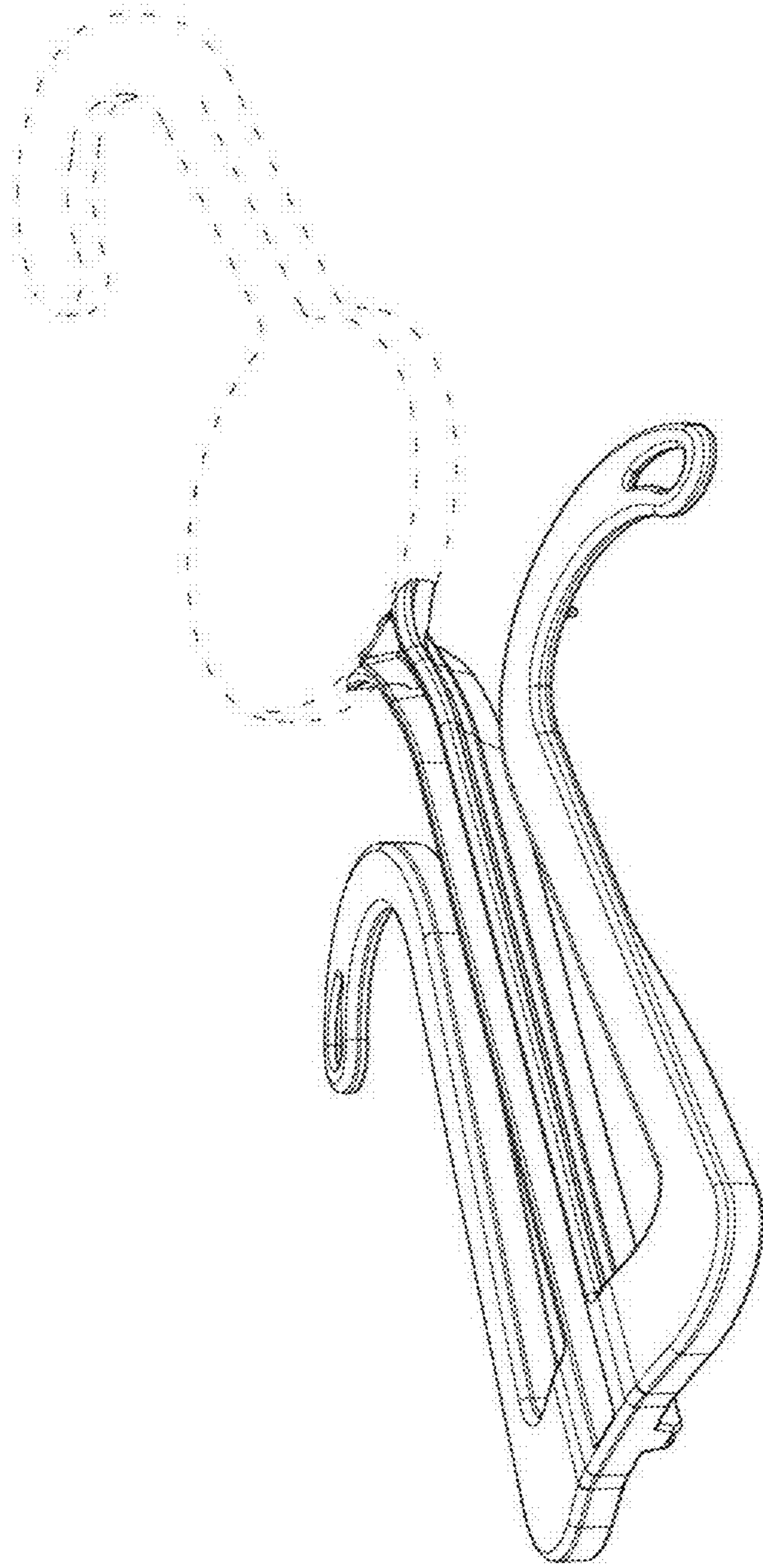


FIG. 1

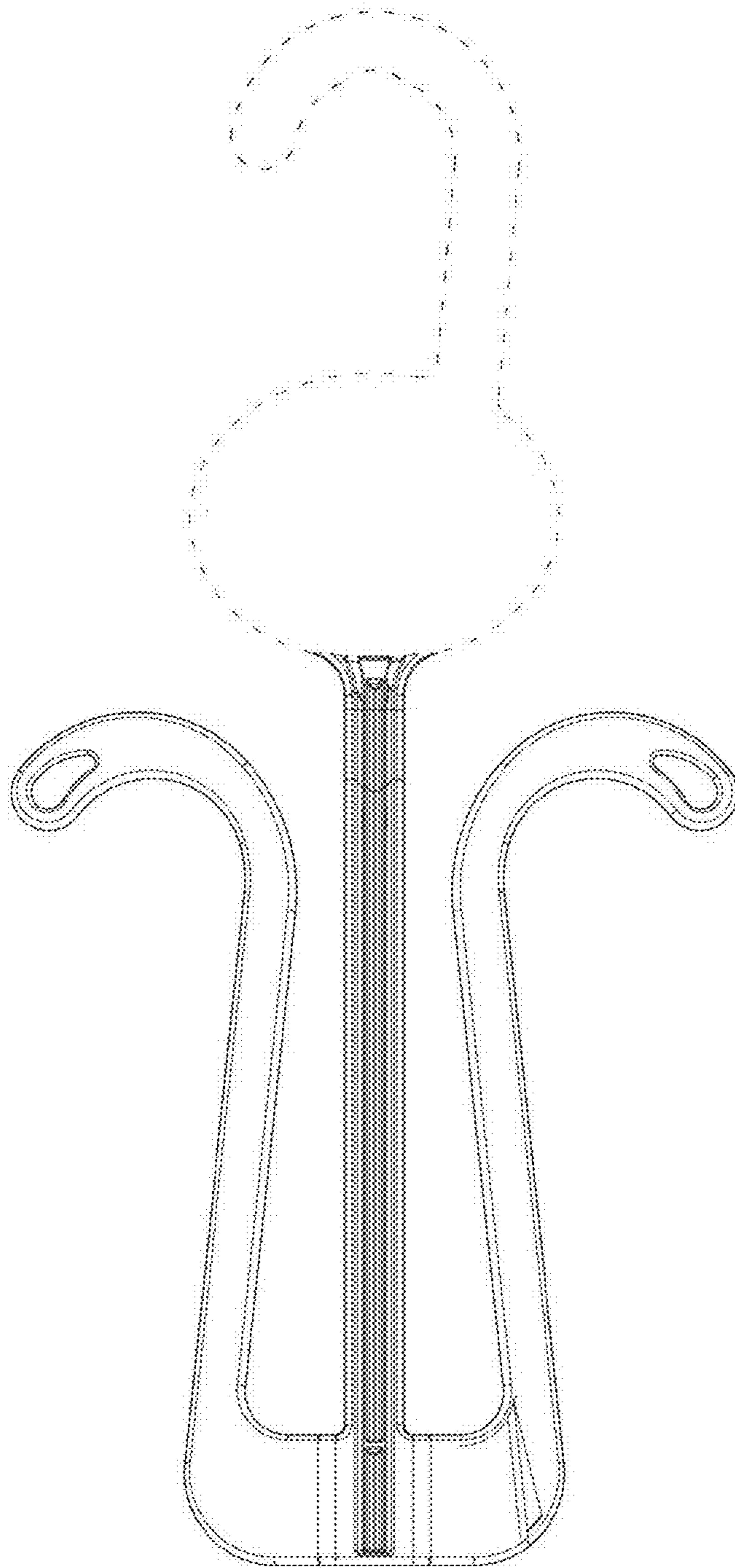


FIG. 2

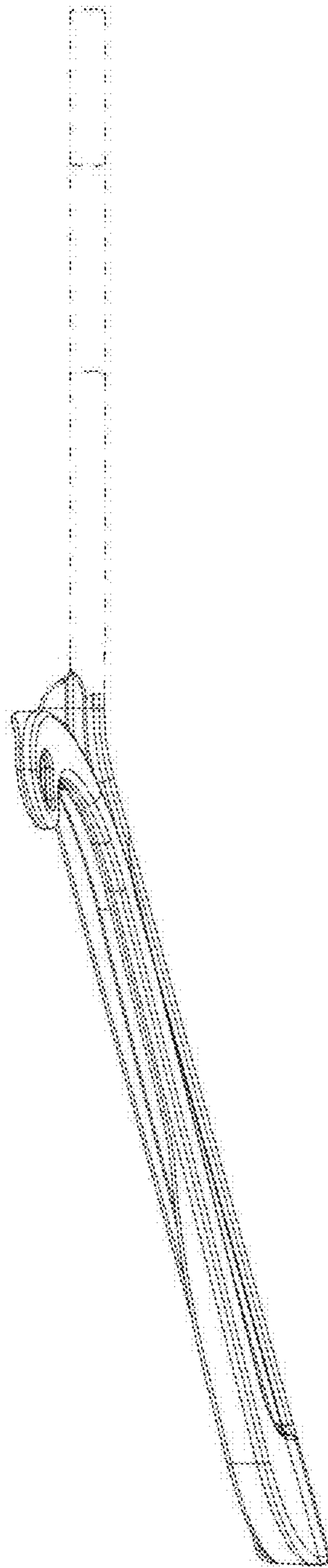


FIG. 3

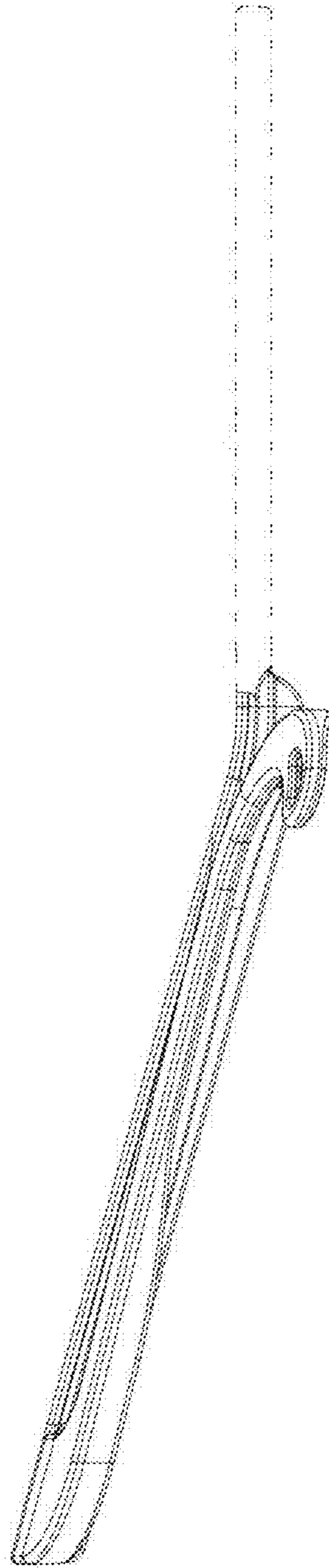


FIG. 4

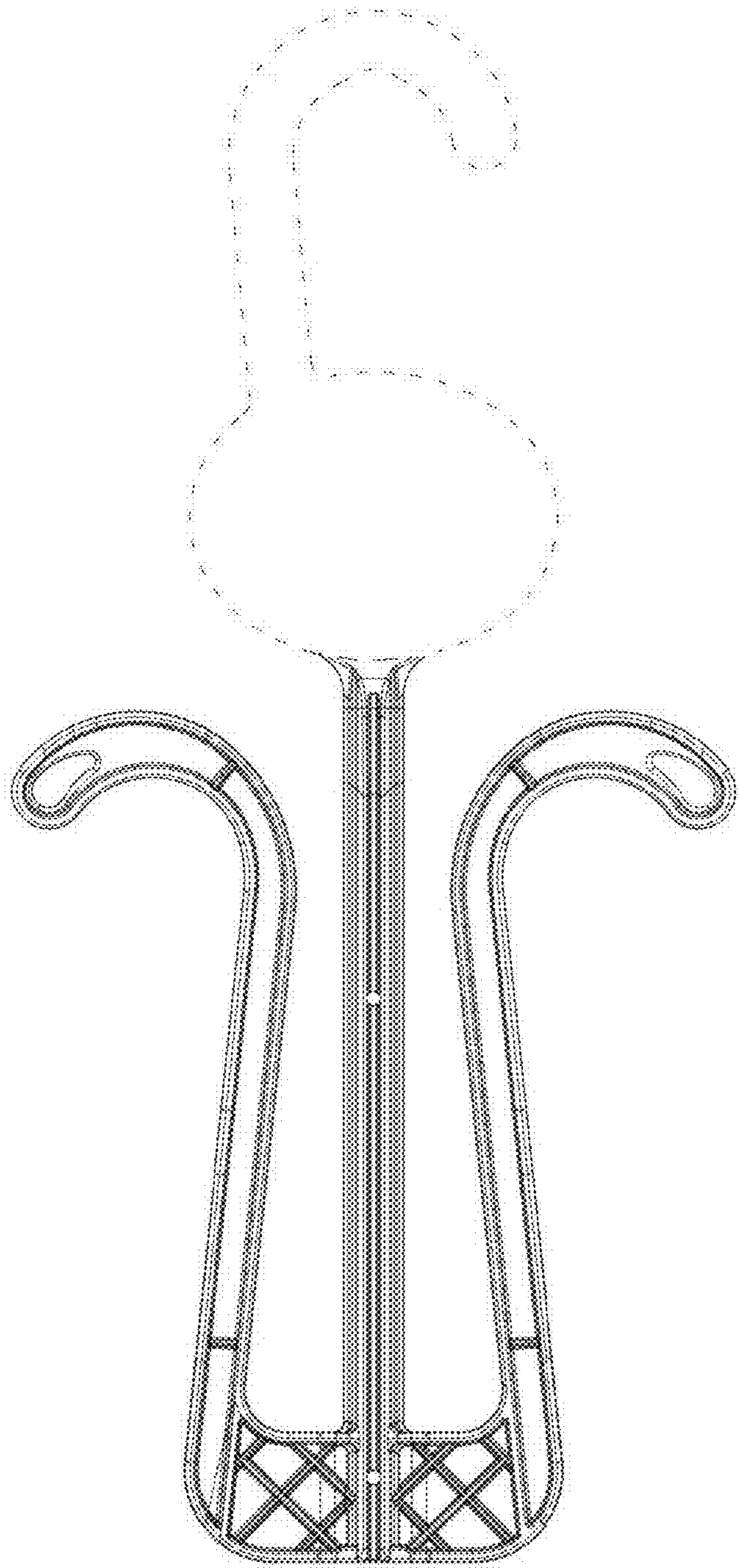


FIG. 5

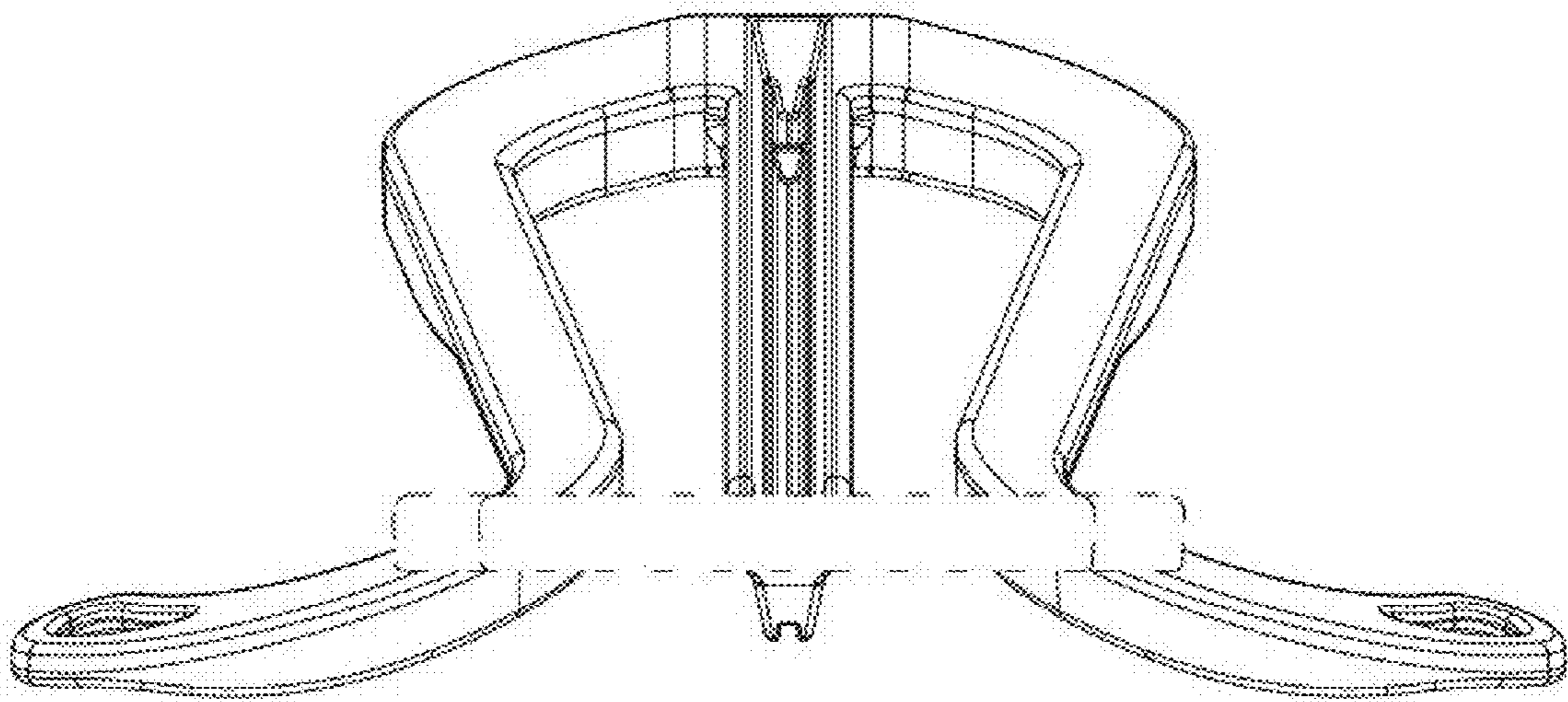


FIG. 6

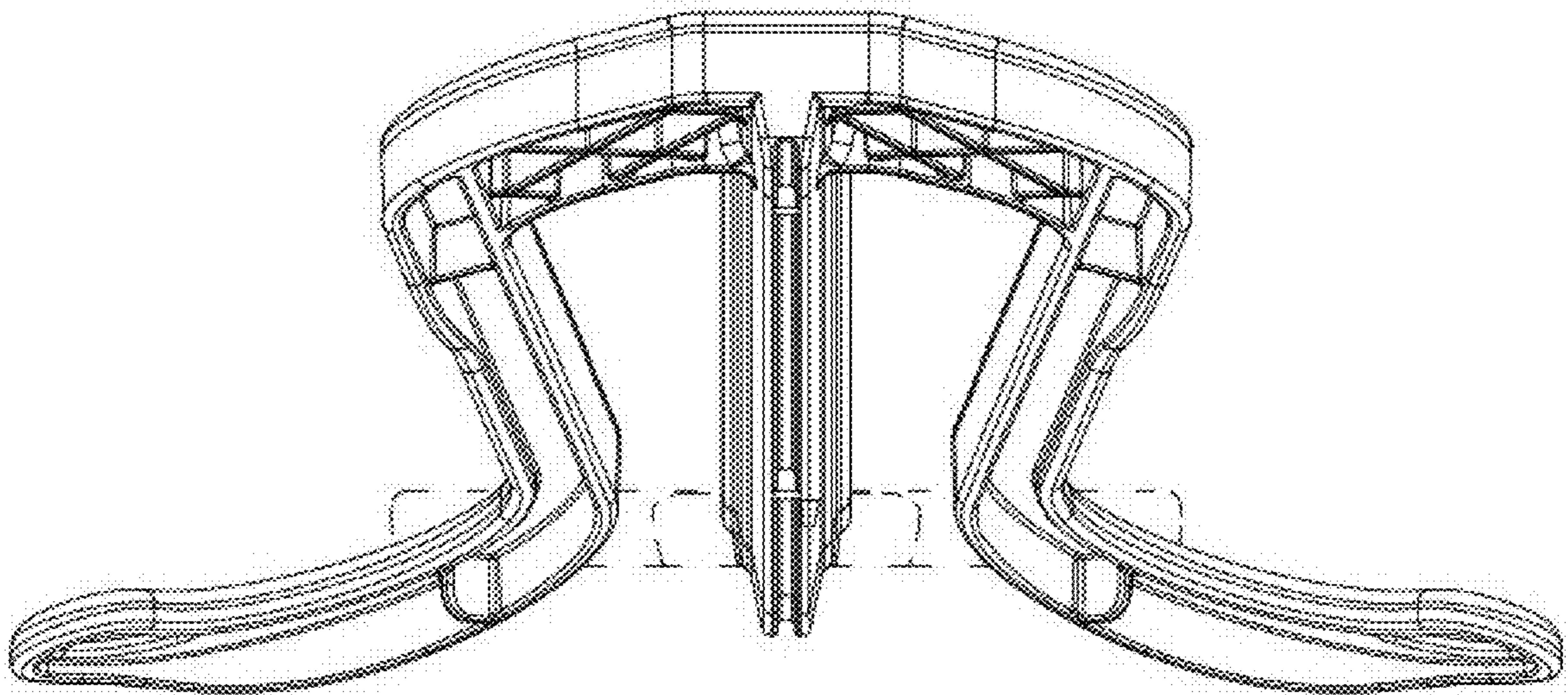


FIG. 7

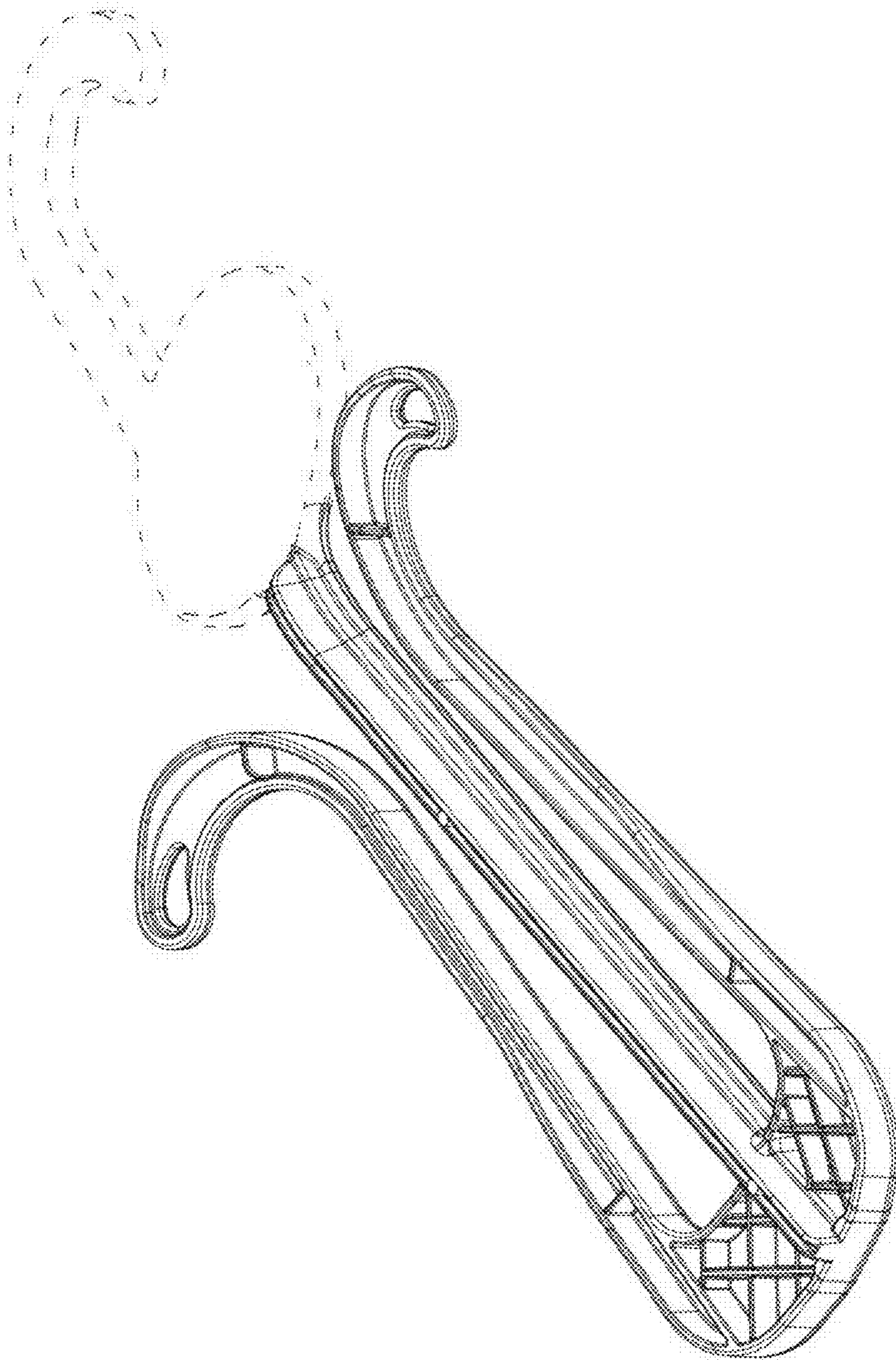


FIG. 8