



US00D867763S

(12) **United States Design Patent**
Gan

(10) **Patent No.:** **US D867,763 S**

(45) **Date of Patent:** **** Nov. 26, 2019**

- (54) **ANTIBACTERIAL TOOTHBRUSH**
- (71) Applicant: **YANGZHOU E.S. TOOTHBRUSH CO., LTD.**, Yangzhou (CN)
- (72) Inventor: **Sunwei Gan**, Yangzhou (CN)
- (73) Assignee: **YANGZHOU E.S. TOOTHBRUSH CO., LTD.**, Yangzhou (CN)
- (**) Term: **15 Years**
- (21) Appl. No.: **29/668,323**
- (22) Filed: **Oct. 30, 2018**
- (51) **LOC (12) Cl.** **04-02**
- (52) **U.S. Cl.**
USPC **D4/108**
- (58) **Field of Classification Search**
USPC D1/106, 199; D4/100–104, 108–111,
D4/127, 128, 132–136, 138, 199; D8/61;
D13/107, 108; D14/288; D24/119, 146,
D24/147, 180; D28/20, 7; D30/158, 159
CPC A46B 5/00; A46B 9/04; A46B 9/10; A46B
7/00; A46B 2200/1066; A46B 2200/1073;
A46B 2200/1086
See application file for complete search history.

- D710,111 S * 8/2014 Ding D4/108
- D778,062 S * 2/2017 Schmid D4/108
- D818,274 S * 5/2018 Bauernfeind D4/105
- D834,324 S * 11/2018 Hielscher D4/104
- D860,653 S * 9/2019 Xi D4/104
- 2007/0163064 A1* 7/2007 Wong A46B 5/0025
15/143.1
- 2012/0272996 A1* 11/2012 Jimenez A46B 11/0024
132/308
- 2016/0270520 A1* 9/2016 Lee A46B 9/04

* cited by examiner

Primary Examiner — Philip S Hyder
Assistant Examiner — Cary M Robinson

(57) **CLAIM**

The ornamental design for an antibacterial toothbrush, as shown and described.

DESCRIPTION

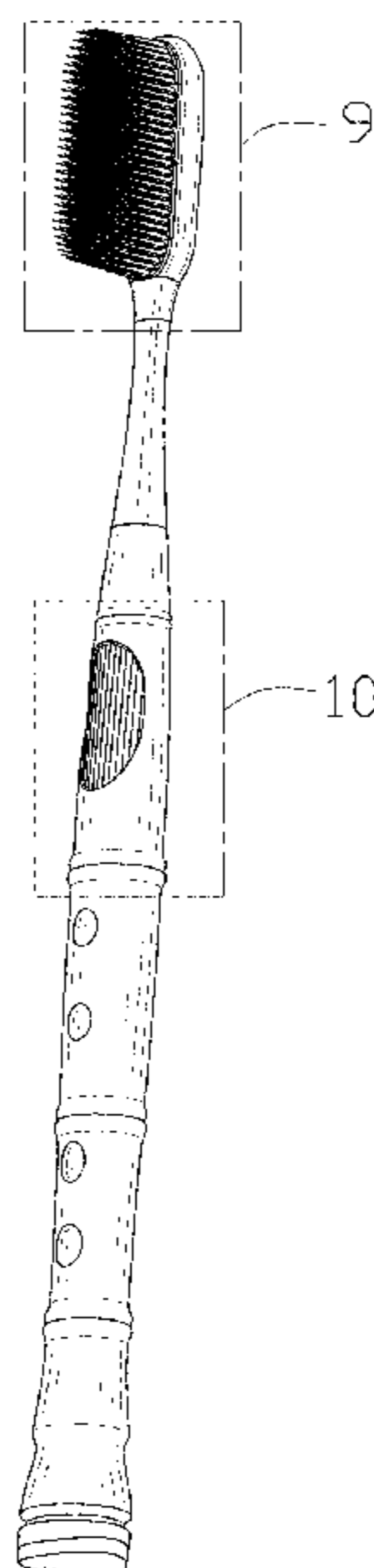
FIG. 1 is a perspective view of the antibacterial toothbrush showing my new design;
 FIG. 2 is another perspective view thereof;
 FIG. 3 is a front elevational view thereof;
 FIG. 4 is a rear elevational view thereof;
 FIG. 5 is a left side elevational view thereof;
 FIG. 6 is a right side elevational view thereof;
 FIG. 7 is a top plan view thereof;
 FIG. 8 is a bottom plan view thereof;
 FIG. 9 is an enlarged view of portion 9 in FIG. 1 thereof, shown separately for completeness of illustration;
 FIG. 10 is an enlarged view of portion 10 in FIG. 1 thereof, shown separately for completeness of illustration;
 FIG. 11 is an enlarged view of FIG. 7, shown separately for completeness of illustration; and,
 FIG. 12 is an enlarged view of FIG. 8, shown separately for completeness of illustration.

1 Claim, 12 Drawing Sheets

(56) **References Cited**

U.S. PATENT DOCUMENTS

- 7,047,591 B2 * 5/2006 Hohlbein A46B 5/02
15/143.1
- D577,493 S * 9/2008 Wong D4/108
- D630,019 S * 1/2011 Wong D4/108
- D630,020 S * 1/2011 Wong D4/108
- D674,195 S * 1/2013 Nanda D4/108
- 8,549,691 B2 * 10/2013 Moskovich A46B 5/02
15/143.1
- D704,447 S * 5/2014 Xi D4/104



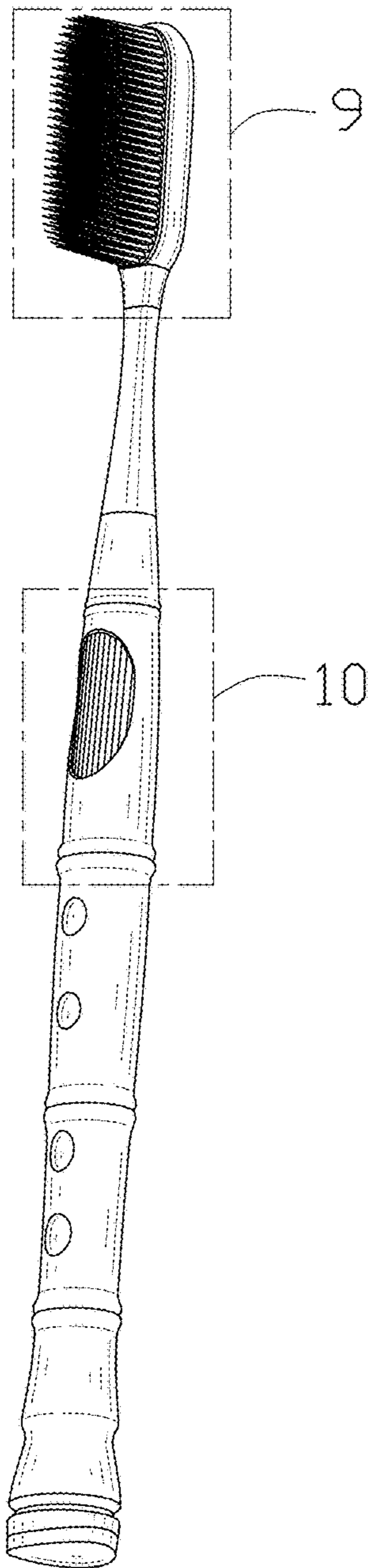


FIG. 1

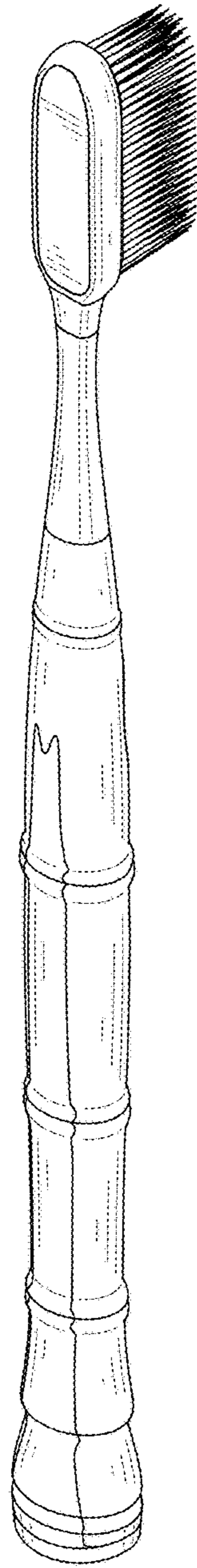


FIG. 2

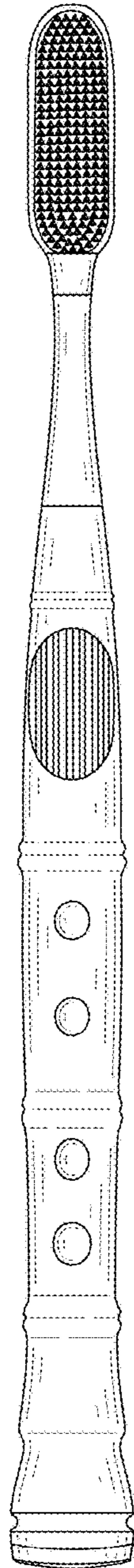


FIG. 3

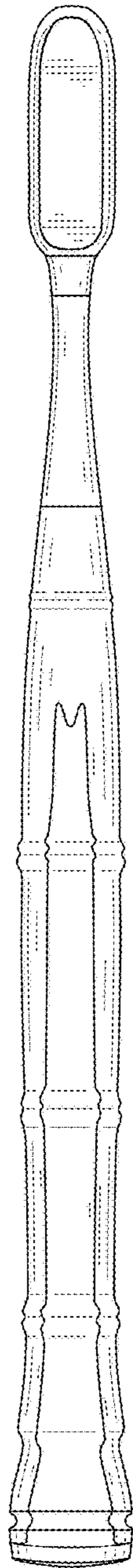


FIG. 4

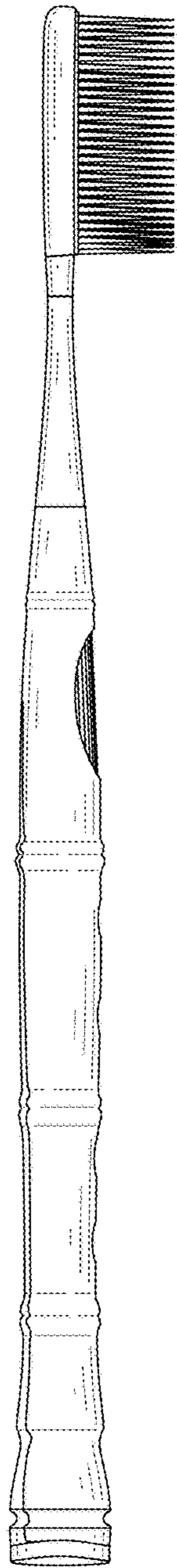


FIG. 5

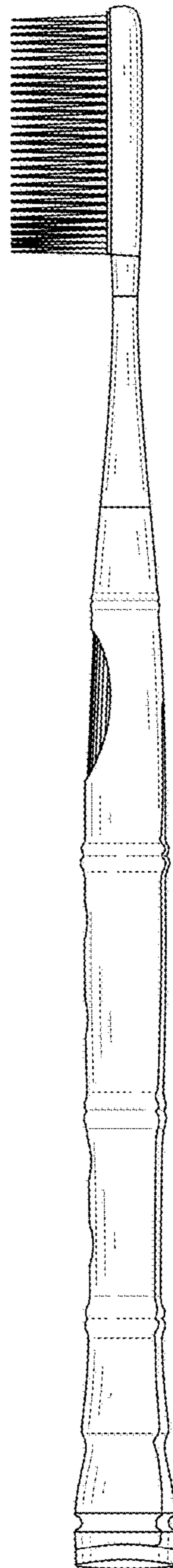


FIG. 6

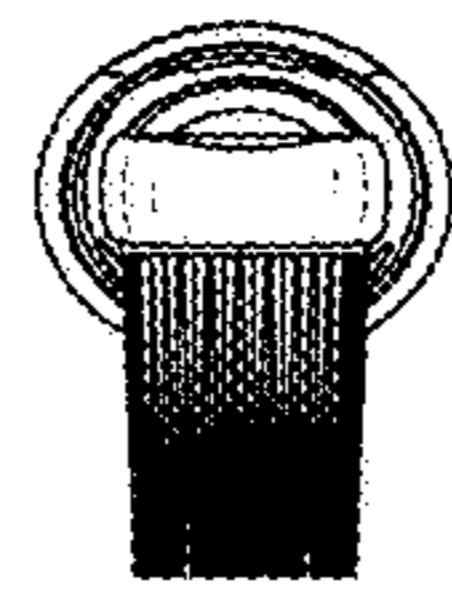


FIG. 7

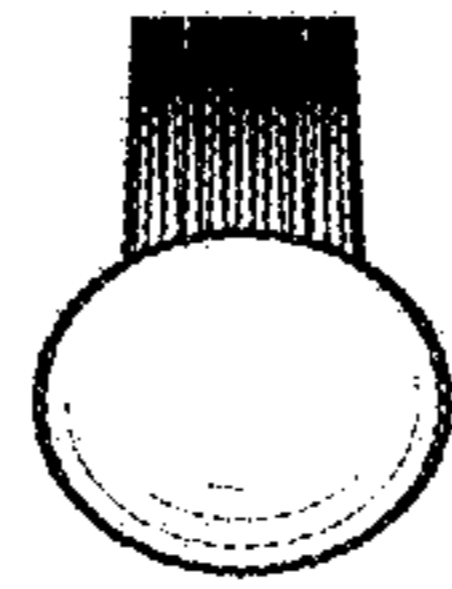


FIG. 8

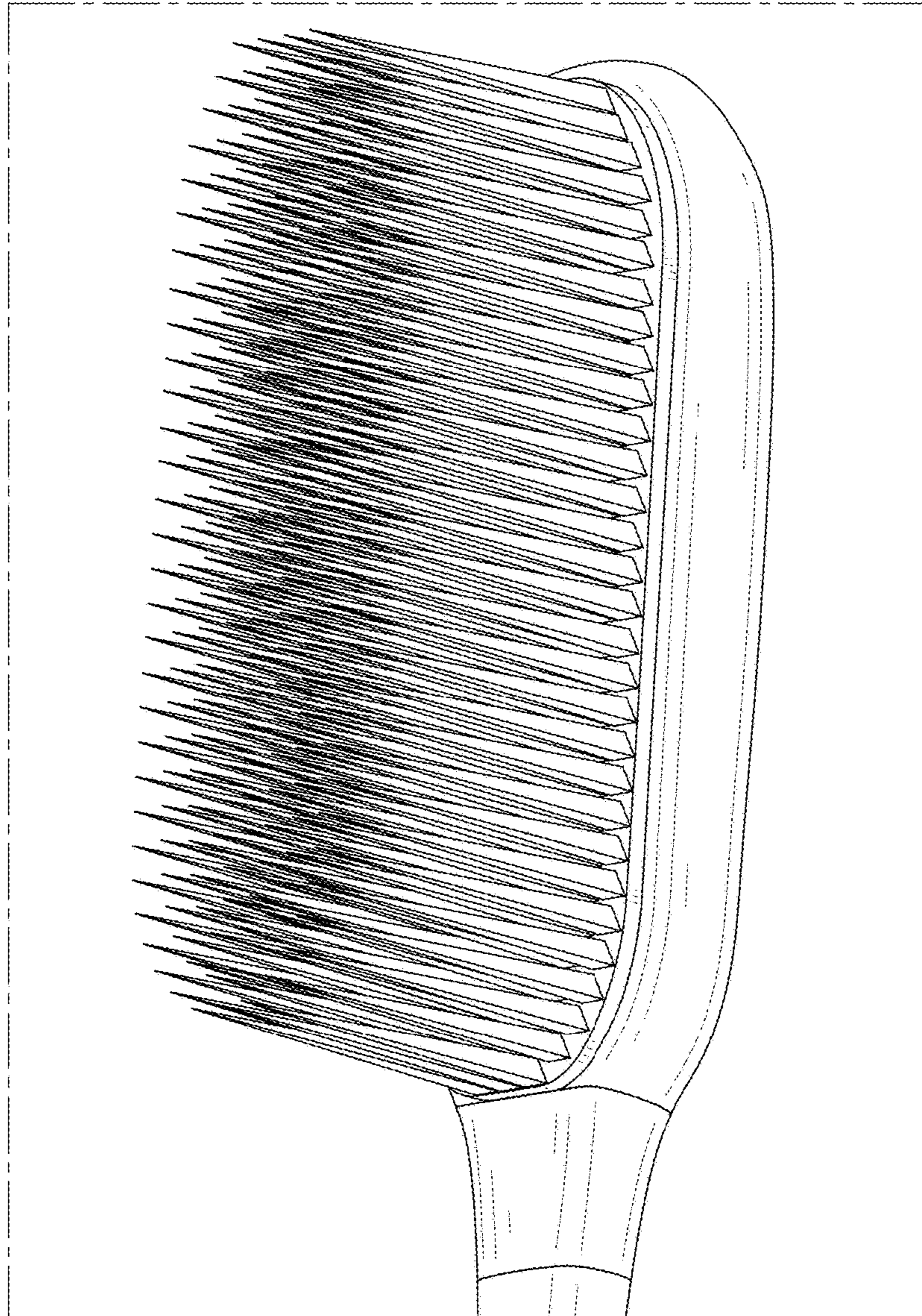


FIG. 9

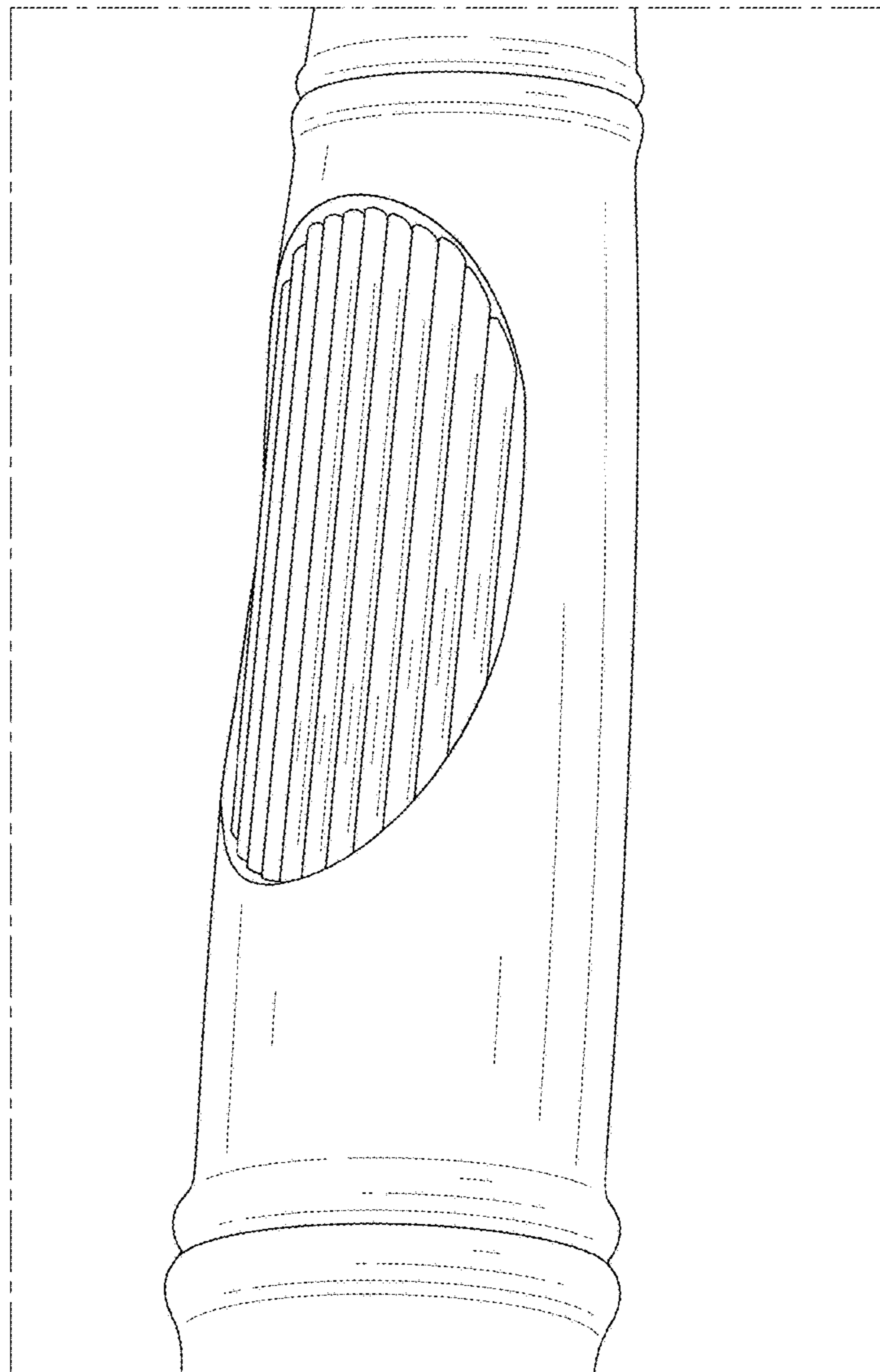


FIG. 10

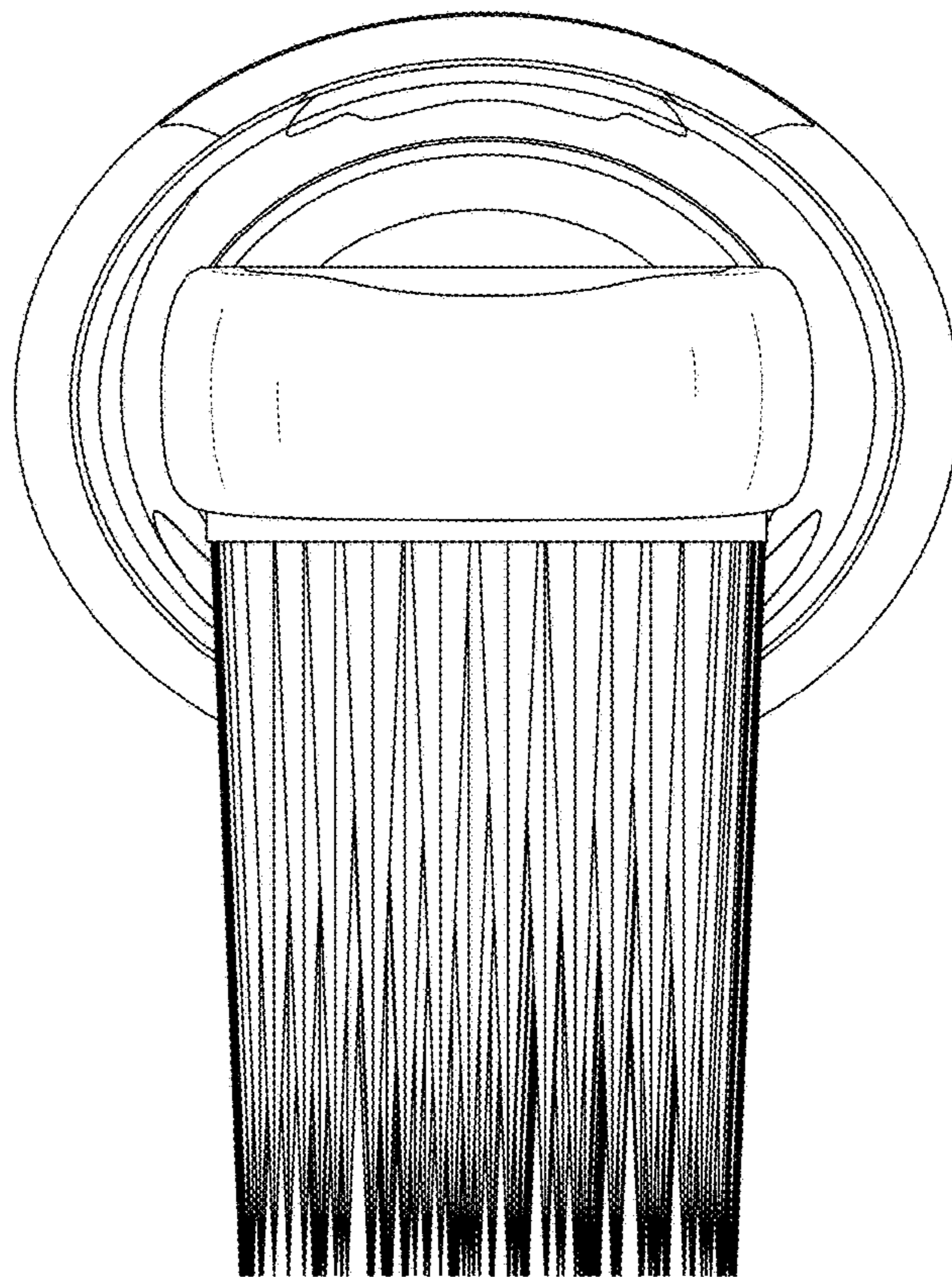


FIG. 11

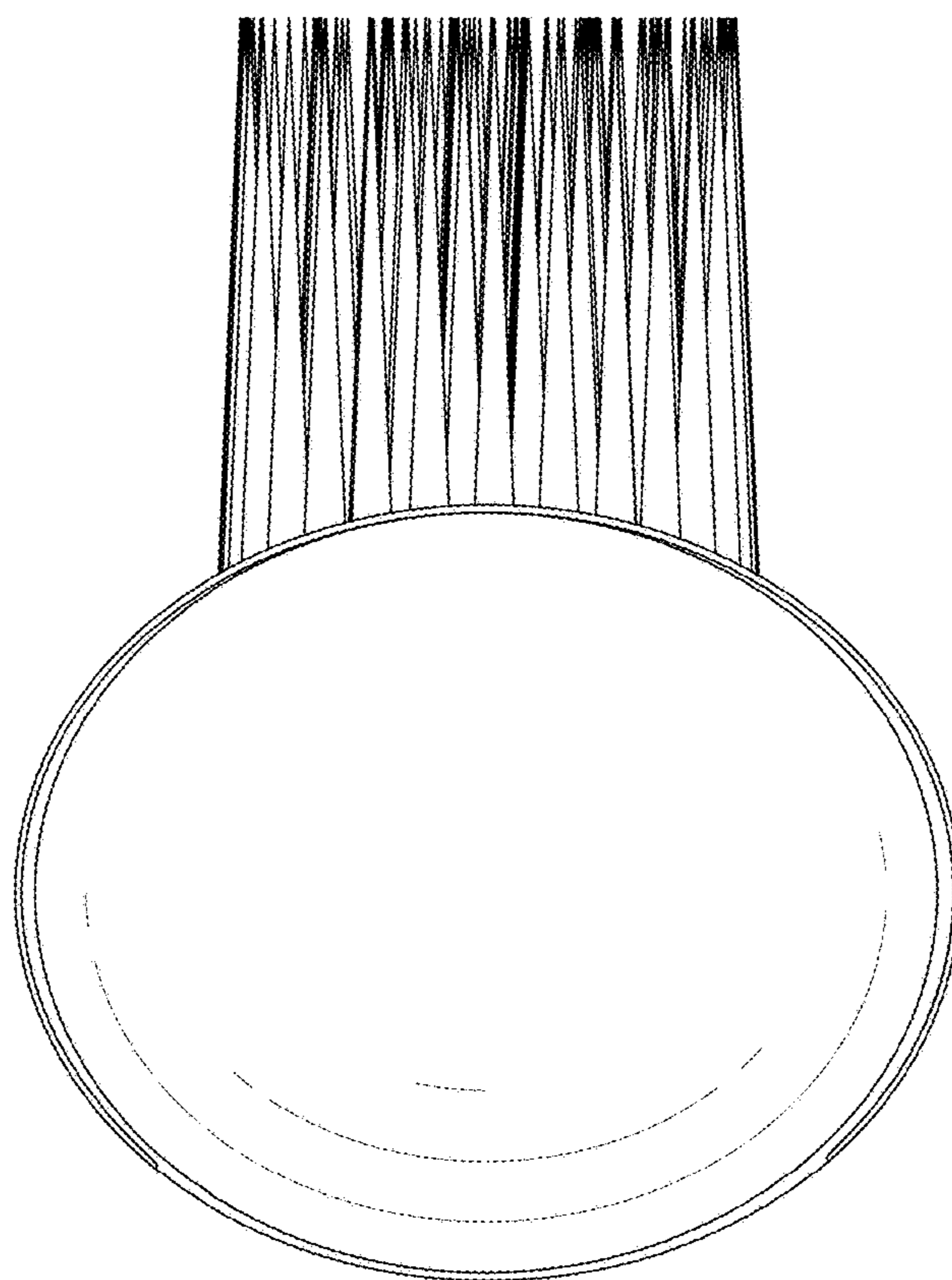


FIG. 12