

US00D867761S

(12) **United States Design Patent** (10) **Patent No.:** **US D867,761 S**
Bloch et al. (45) **Date of Patent:** **** Nov. 26, 2019**

(54) **REPLACEMENT HEAD FOR AN ORAL CARE IMPLEMENT**

(71) Applicant: **Colgate-Palmolive Company**, New York, NY (US)

(72) Inventors: **Brian Bloch**, Hillsborough, NJ (US); **Takahide Okai**, Highland Park, NJ (US); **John Gatzemeyer**, Hillsborough, NJ (US)

(73) Assignee: **Colgate-Palmolive Company**, New York, NY (US)

(**) Term: **15 Years**

(21) Appl. No.: **29/684,701**

(22) Filed: **Mar. 22, 2019**

Related U.S. Application Data

(62) Division of application No. 29/629,231, filed on Dec. 12, 2017, now Pat. No. Des. 849,408.

(51) **LOC (12) Cl.** **04-02**

(52) **U.S. Cl.**
USPC **D4/101**

(58) **Field of Classification Search**

USPC D4/100, 101, 102, 104, 105, 108, 110, D4/111; D24/107, 108, 133, 152, 176; 15/167.1

CPC A46B 15/00; A46B 15/047; A46B 15/048; A46B 15/0071; A46B 5/00; A46B 5/02; A46B 5/21; A46B 5/023; A46B 5/026; A46B 5/028; A46B 5/0016; A46B 5/0095; A46B 2200/10; A46B 2200/108; A46B 2200/1066; A46B 2200/1073; A46B 2200/1086; A46B 9/04; A46B 9/10; A46B

(Continued)

(56) **References Cited**

U.S. PATENT DOCUMENTS

5,380,202 A 1/1995 Brahler
5,584,690 A 12/1996 Maassarani
D482,201 S 11/2003 Long

(Continued)

FOREIGN PATENT DOCUMENTS

CN 3323357 9/2003
CN 301054685 11/2009

(Continued)

OTHER PUBLICATIONS

Website: SmileMakers.com. Funimals Disposable Prophy Angles. https://www.smilemakers.com/funimals-disposable-prophy-angles.html?gclid=CjwKCAiApJnRBRBIEiwAPTgmxCGK37ZmCA9UT1RHZi7-uOtVbBA4osLk6OSYWESGpONgourJ9cTP5xoC2c4QAvD_BwE. 2017. US.

(Continued)

Primary Examiner — Wan Laymon
Assistant Examiner — Clint A Samuel

(57) **CLAIM**

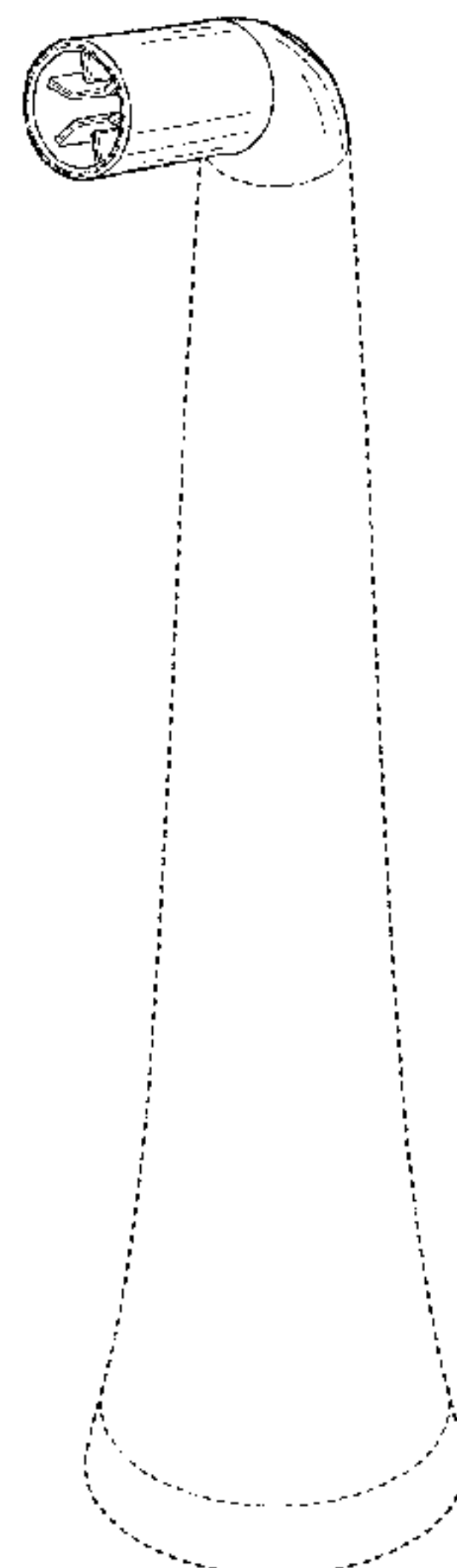
The ornamental design for a replacement head for an oral care implement, as shown and described.

DESCRIPTION

FIG. 1 is a front perspective view of a replacement head for an oral care implement according to the new design; FIG. 2 is a rear perspective view thereof; FIG. 3 is a front view thereof; FIG. 4 is a rear view thereof; FIG. 5 is a left side view thereof; FIG. 6 is a right side view thereof; FIG. 7 is a top view thereof; and, FIG. 8 is a bottom view thereof.

The broken lines illustrating portions of the article form no part of the claimed design. The dot-dash broken lines define the bounds of the claimed design and form no part thereof.

1 Claim, 4 Drawing Sheets



(58) **Field of Classification Search**
 CPC 9/045; A61C 17/16; A61C 17/22; A61C
 17/26; A61C 17/225; A61C 3/00
 See application file for complete search history.

(56) **References Cited**

U.S. PATENT DOCUMENTS

6,821,119 B2 11/2004 Shortt et al.
 D509,362 S * 9/2005 Maeda D4/101
 D579,664 S * 11/2008 Fisher D4/101
 D589,256 S * 3/2009 Taylor D4/101
 D611,712 S 3/2010 Stoerkel et al.
 D612,611 S 3/2010 Brown, Jr. et al.
 7,814,603 B2 10/2010 Gavney
 D632,894 S 2/2011 Shigeno et al.
 7,877,833 B2 2/2011 Gavney
 7,958,589 B2 6/2011 Braun et al.
 D653,035 S 1/2012 Gebski
 D665,074 S * 8/2012 Gebski D24/111
 D676,660 S * 2/2013 Crossman D4/101
 D689,698 S * 9/2013 Dickie D4/101
 8,671,493 B2 * 3/2014 Hilscher A61C 17/22
 15/22.1
 D706,033 S * 6/2014 Dickie D4/101
 8,777,615 B2 7/2014 Hayman et al.
 8,784,102 B1 7/2014 Kumar
 D714,443 S * 9/2014 Tanaka D24/152
 8,821,161 B2 9/2014 Mansour et al.
 D715,057 S * 10/2014 Adriaenssen D4/101
 9,427,076 B2 8/2016 Jimenez et al.
 D780,456 S 3/2017 Takashi et al.
 D793,735 S * 8/2017 Zavalloni D4/101
 D793,736 S * 8/2017 Zavalloni D4/101
 D795,419 S * 8/2017 Kohler D24/111
 9,724,180 B1 * 8/2017 Liu A61C 17/222
 D798,060 S 9/2017 Shigeno et al.
 D799,218 S 10/2017 Okai
 D799,835 S * 10/2017 Okai D4/101
 D805,306 S * 12/2017 Masee D4/101
 D812,911 S * 3/2018 Bloch D4/101
 D824,174 S * 7/2018 Altmann D4/101
 D847,512 S * 5/2019 Goldberg D4/101
 D849,408 S * 5/2019 Bloch D4/101
 D851,938 S * 6/2019 Bloch D4/101
 2009/0007357 A1 * 1/2009 Meadows A46B 9/005
 15/167.1
 2012/0077145 A1 * 3/2012 Tsurukawa A46B 5/0095
 433/82
 2013/0145567 A1 * 6/2013 Haynes A46B 9/04
 15/167.1
 2014/0182071 A1 * 7/2014 Farrell A61C 17/3418
 15/22.1
 2014/0230169 A1 * 8/2014 Farrell A61C 17/3418
 15/22.1
 2018/0140404 A1 * 5/2018 Schaefer A61C 17/22
 2019/0125065 A1 * 5/2019 Altmann A46B 9/025
 2019/0125068 A1 * 5/2019 Schaefer A46B 15/0012
 2019/0125507 A1 * 5/2019 Watcharotone A46B 3/10
 2019/0174906 A1 * 6/2019 Bloch A61C 17/005
 2019/0175322 A1 * 6/2019 Bloch A46B 5/0095
 2019/0200748 A1 * 7/2019 Gorich A46B 9/04

CN 301736979 11/2011
 CN 302655801 11/2013
 CN 302712322 1/2014
 CN 304097979 4/2014
 CN 302951500 10/2014
 CN 303137887 3/2015
 CN 303228612 6/2015
 CN 303291741 7/2015
 CN 303485297 12/2015
 CN 303485300 12/2015
 CN 303555842 1/2016
 CN 303568996 1/2016
 CN 303582077 2/2016
 CN 303600325 3/2016
 CN 303630115 3/2016
 CN 303651162 4/2016
 CN 303658434 5/2016
 CN 303873245 5/2016
 CN 303705050 6/2016
 CN 303705073 6/2016
 CN 303731682 6/2016
 CN 303758098 7/2016
 CN 303781887 8/2016
 CN 303810436 8/2016
 CN 303857368 9/2016
 CN 303858605 9/2016
 CN 303919026 11/2016
 CN 303962142 12/2016
 CN 303972535 12/2016
 CN 303990679 12/2016
 CN 304108472 4/2017
 CN 304120816 5/2017
 CN 304124146 5/2017
 CN 304134556 5/2017
 CN 004043263-0001 6/2017
 CN 304181219 6/2017
 CN 304189305 6/2017
 CN 304251488 8/2017
 CN 304267080 9/2017
 CN 304276474 9/2017
 CN 304276504 9/2017
 EM 001078414-0007 5/2009
 EM 001127815-0002 6/2009
 EM 001787714-0004 12/2010
 EM 001255947-0002 4/2011
 EM 001312672-0001 2/2012
 EM 002012328-0001 4/2012
 EM 002012328-0002 4/2012
 EM 001317358-0002 5/2012
 EM 001333496-0001 7/2012
 EM 002163675-0002 1/2013
 EM 002218651-0001 7/2013
 EM 002218651-0002 7/2013
 EM 001413454-0001 6/2014
 EM 002422949-0001 9/2014
 EM 002424069-0001 9/2014
 EM 002488676-0001 1/2015
 EM 002488676-0002 1/2015
 EM 002637884-0001 2/2015
 EM 004119089-0001 7/2017
 EM 004140150-0001 8/2017
 EM 004173342-0003 9/2017
 EM 004173342-0004 9/2017
 EP 0433773 A1 6/1991

FOREIGN PATENT DOCUMENTS

CN 301136943 2/2010
 CN 301150823 3/2010
 CN 301517889 4/2011

OTHER PUBLICATIONS

Website: Premier-Solutions for Daily Dentistry. <http://www.premusa.com/product/hygienepreventative/2pro/> 2017. US.

* cited by examiner

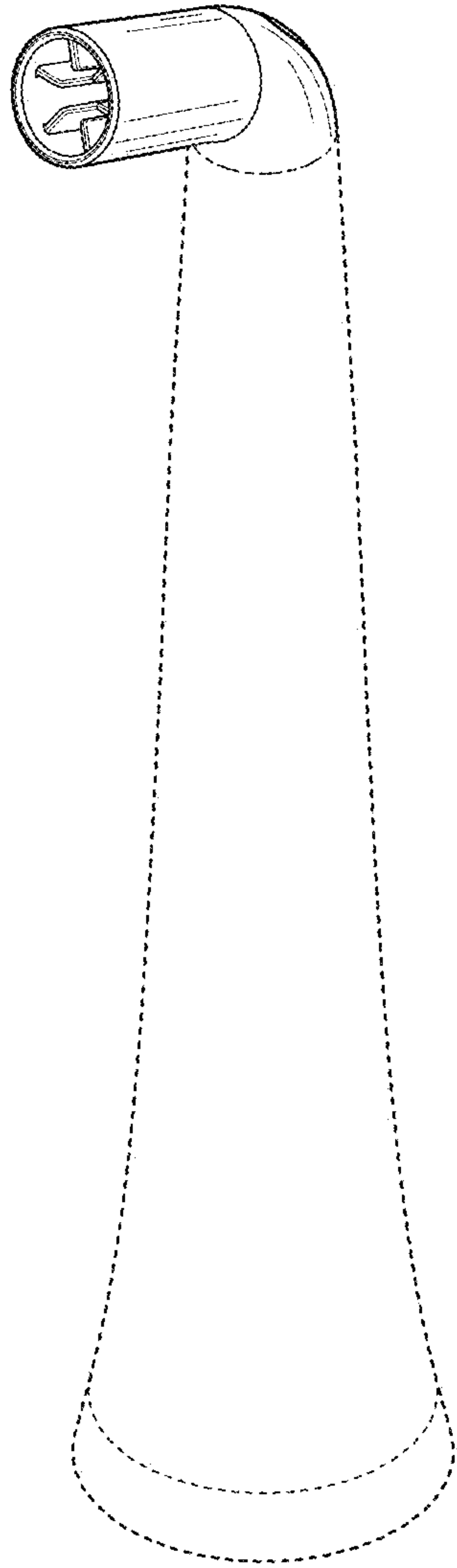


FIG. 1

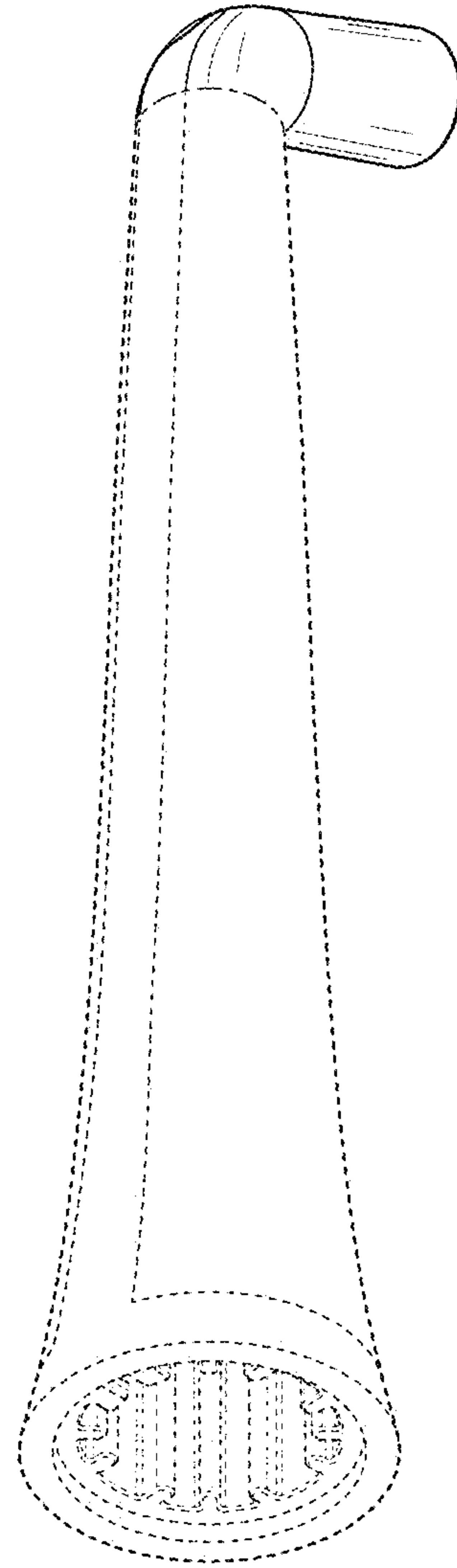


FIG. 2

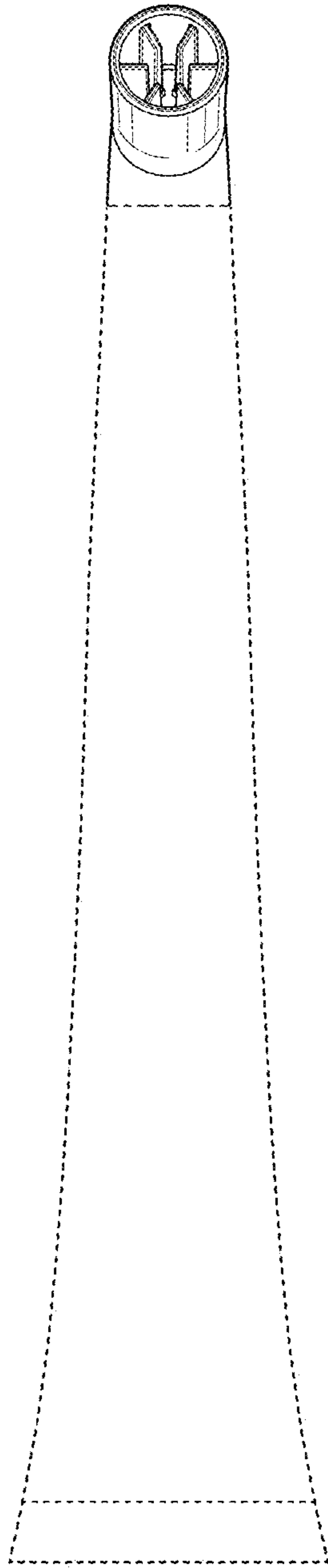


FIG. 3

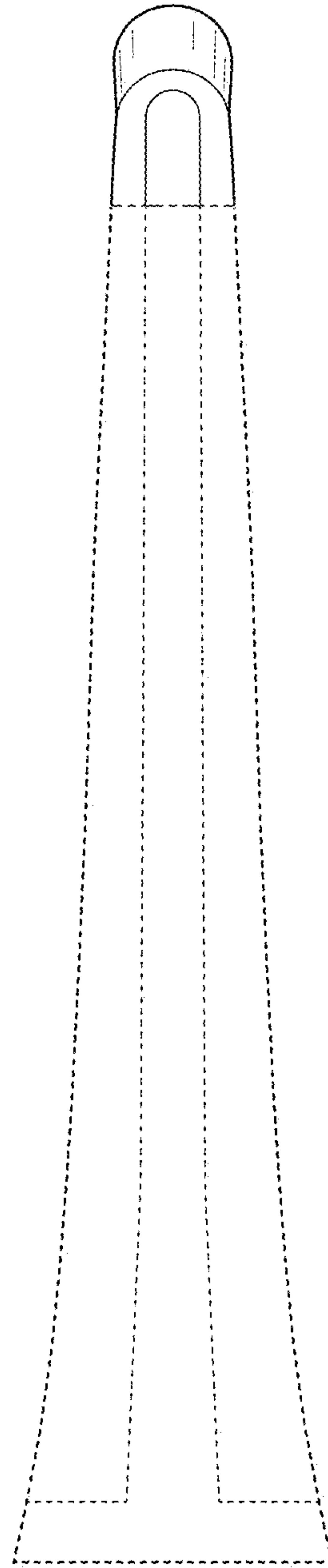


FIG. 4

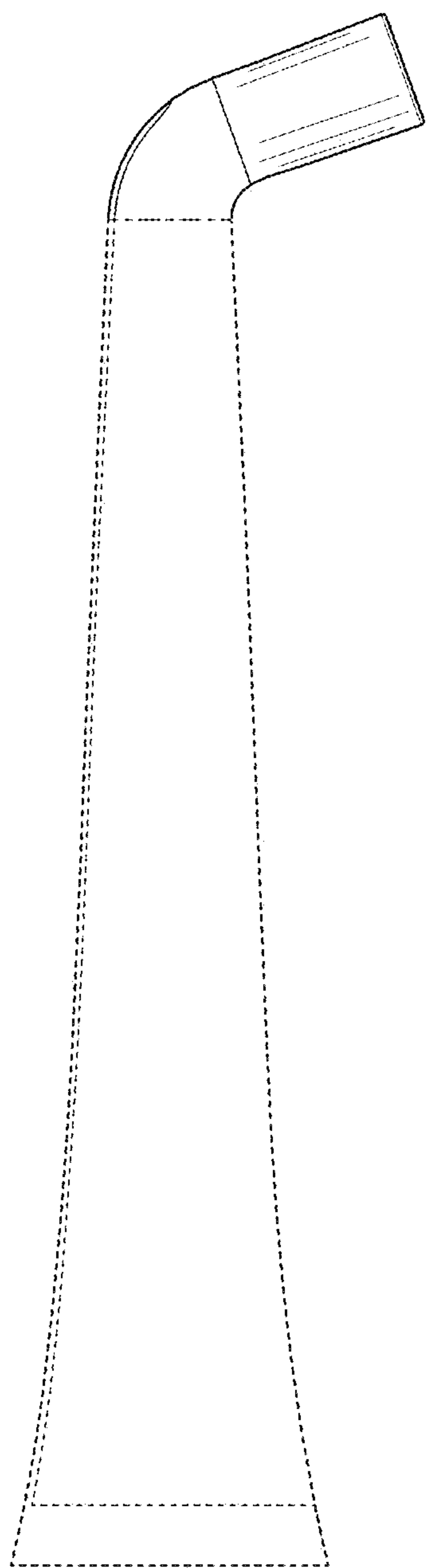


FIG. 5

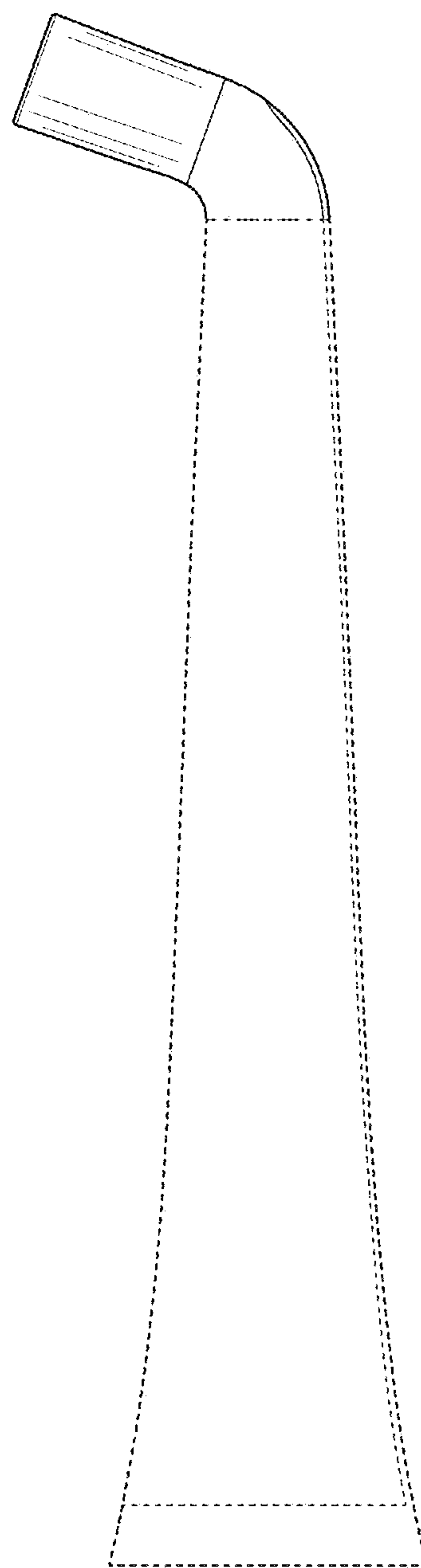


FIG. 6

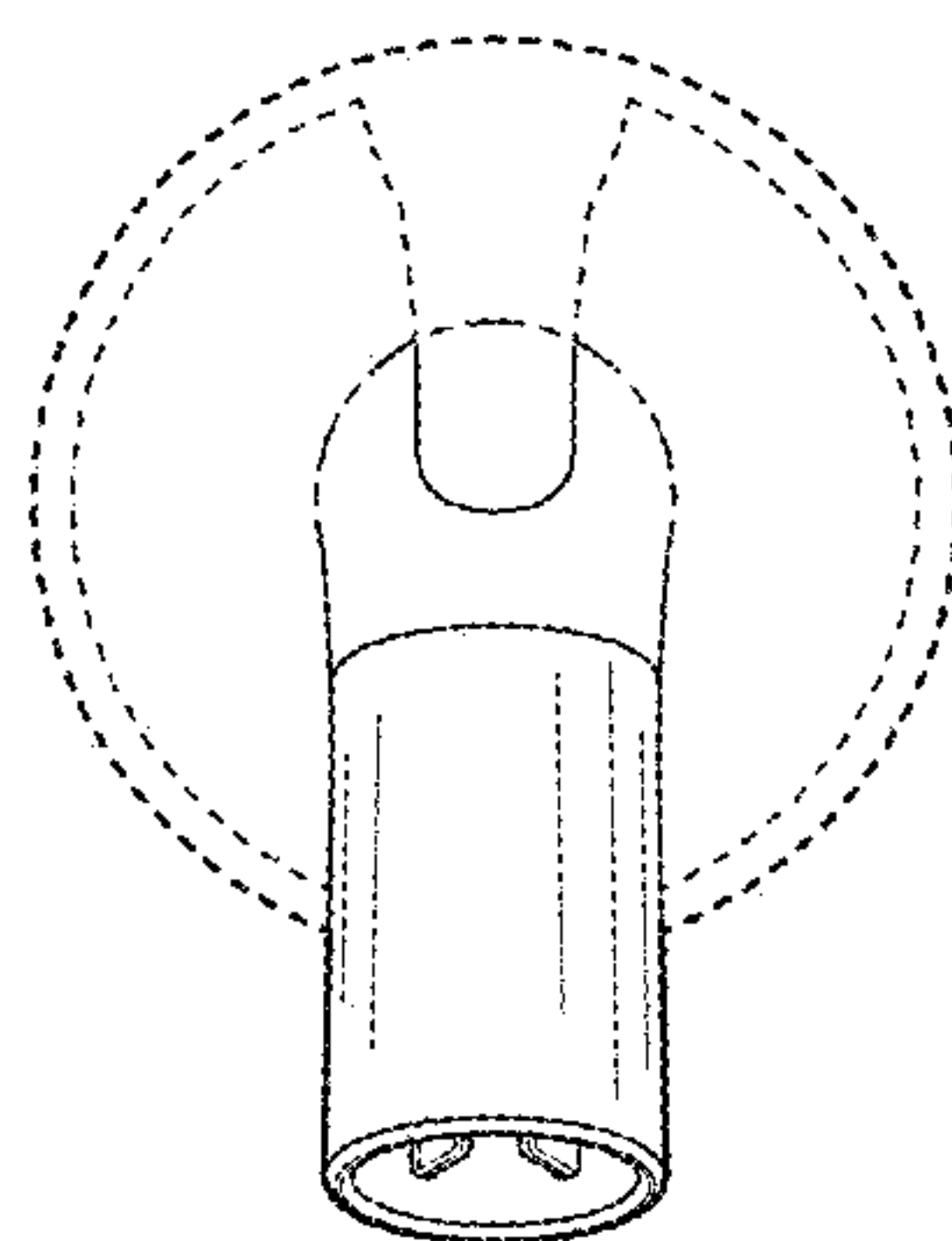


FIG. 7

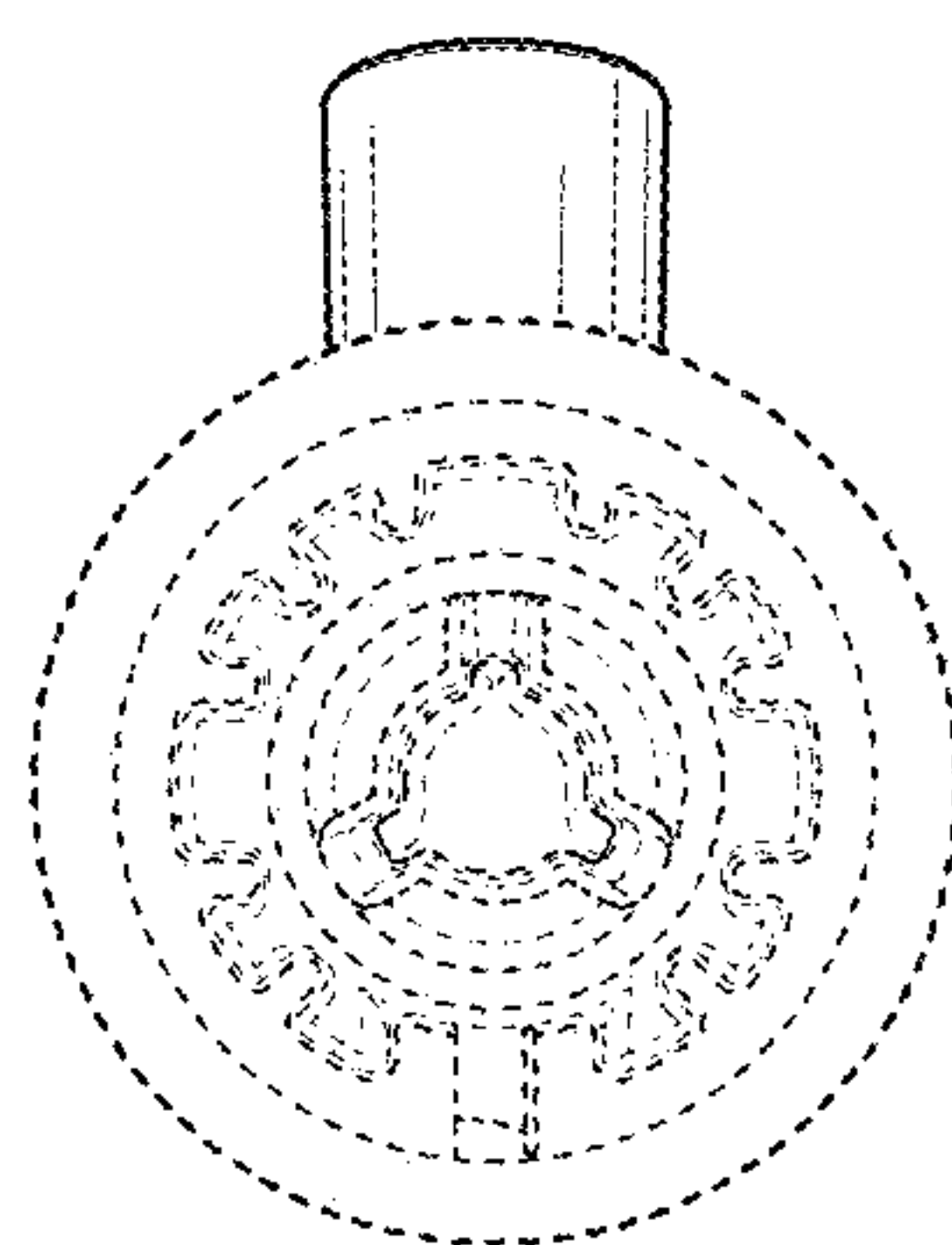


FIG. 8