



US00D867760S

(12) **United States Design Patent**
Merritt

(10) **Patent No.:** **US D867,760 S**

(45) **Date of Patent:** **** Nov. 26, 2019**

- (54) **HARNESS FOR A SPRAY TANK**
- (71) Applicant: **The Fountainhead Group, Inc.**, New York Mills, NY (US)
- (72) Inventor: **Matthew Merritt**, New Hartford, NY (US)
- (73) Assignee: **The Fountainhead Group, Inc.**, New York Mills, NY (US)
- (**) Term: **15 Years**
- (21) Appl. No.: **29/634,413**
- (22) Filed: **Jan. 22, 2018**
- (51) **LOC (12) Cl.** **03-02**
- (52) **U.S. Cl.**
USPC **D3/316**
- (58) **Field of Classification Search**
USPC D3/315, 316
CPC A45F 3/04; B66C 1/16
See application file for complete search history.

- D542,537 S * 5/2007 Schwartz D3/316
- D650,586 S * 12/2011 Hutcheson D3/316
- D682,544 S * 5/2013 Raich D3/229
- 8,820,807 B2 * 9/2014 Allen B66C 1/101
294/67.1
- D792,104 S * 7/2017 Candell D3/316
- D840,153 S * 2/2019 Persellin D3/315

* cited by examiner

Primary Examiner — Charles D Hanson

(74) *Attorney, Agent, or Firm* — Bond Schoeneck & King, PLLC; George McGuire

(57) **CLAIM**

The ornamental design for a harness for a spray tank, as shown and described.

DESCRIPTION

FIG. 1 is a perspective view of a new and ornamental design for a harness for a spray tank with the harness shown attached to a spray tank that is shown in phantom for environment only and not forming part of the claimed invention;

FIG. 2 is a front elevation view of the harness;

FIG. 3 is a rear elevation view thereof;

FIG. 4 is a first side elevation view thereof;

FIG. 5 is a second side elevation view thereof;

FIG. 6 is a top plan view thereof;

FIG. 7 is a bottom plan view thereof; and,

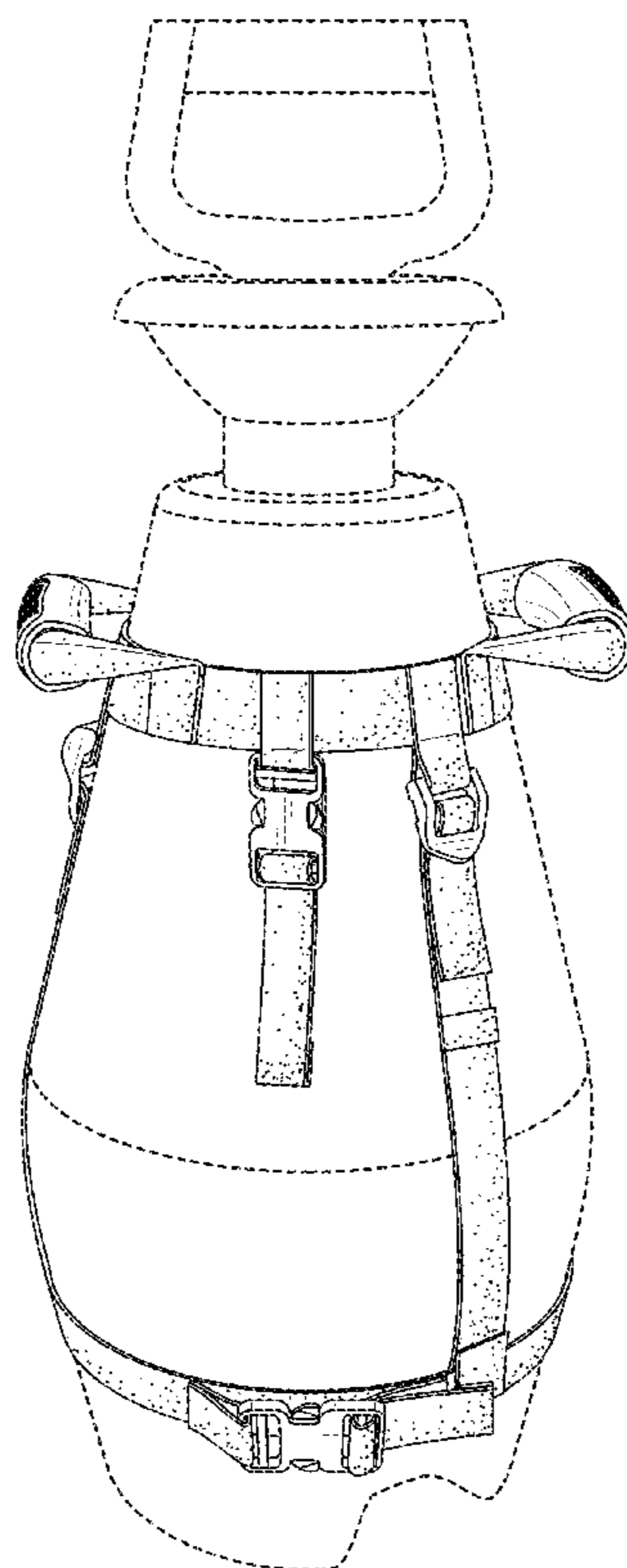
FIG. 8 is a perspective view thereof.

(56) **References Cited**

U.S. PATENT DOCUMENTS

- D403,162 S * 12/1998 Williams D3/327
- 5,961,014 A * 10/1999 Knerr A45F 3/04
224/153

1 Claim, 8 Drawing Sheets



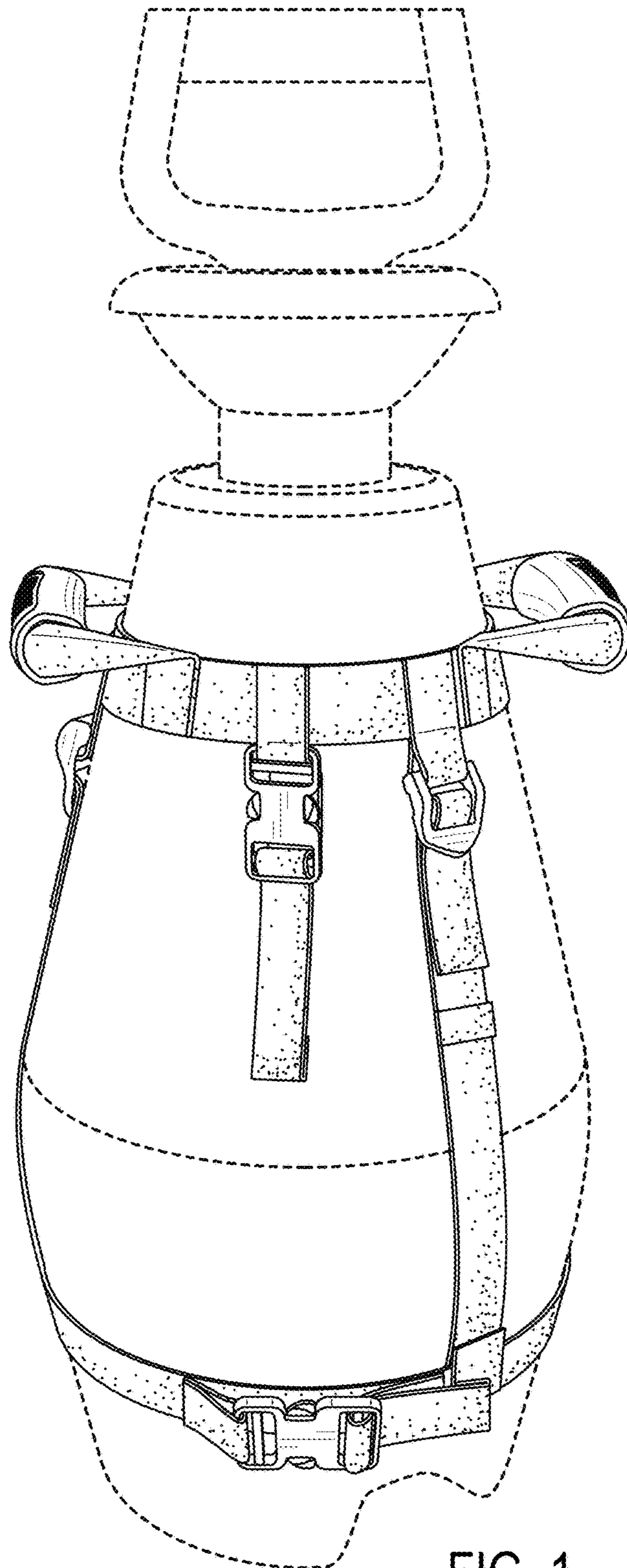


FIG. 1

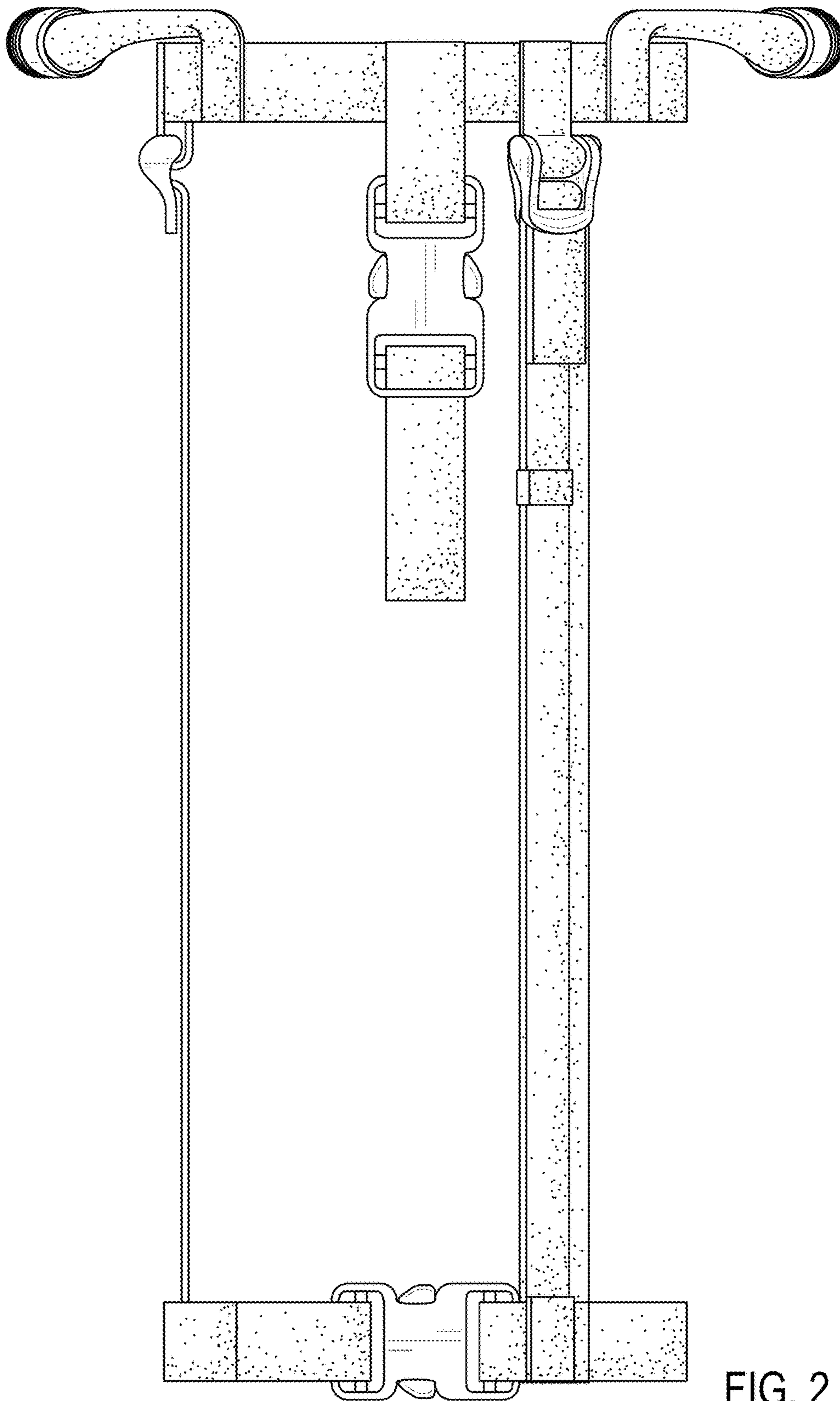


FIG. 2

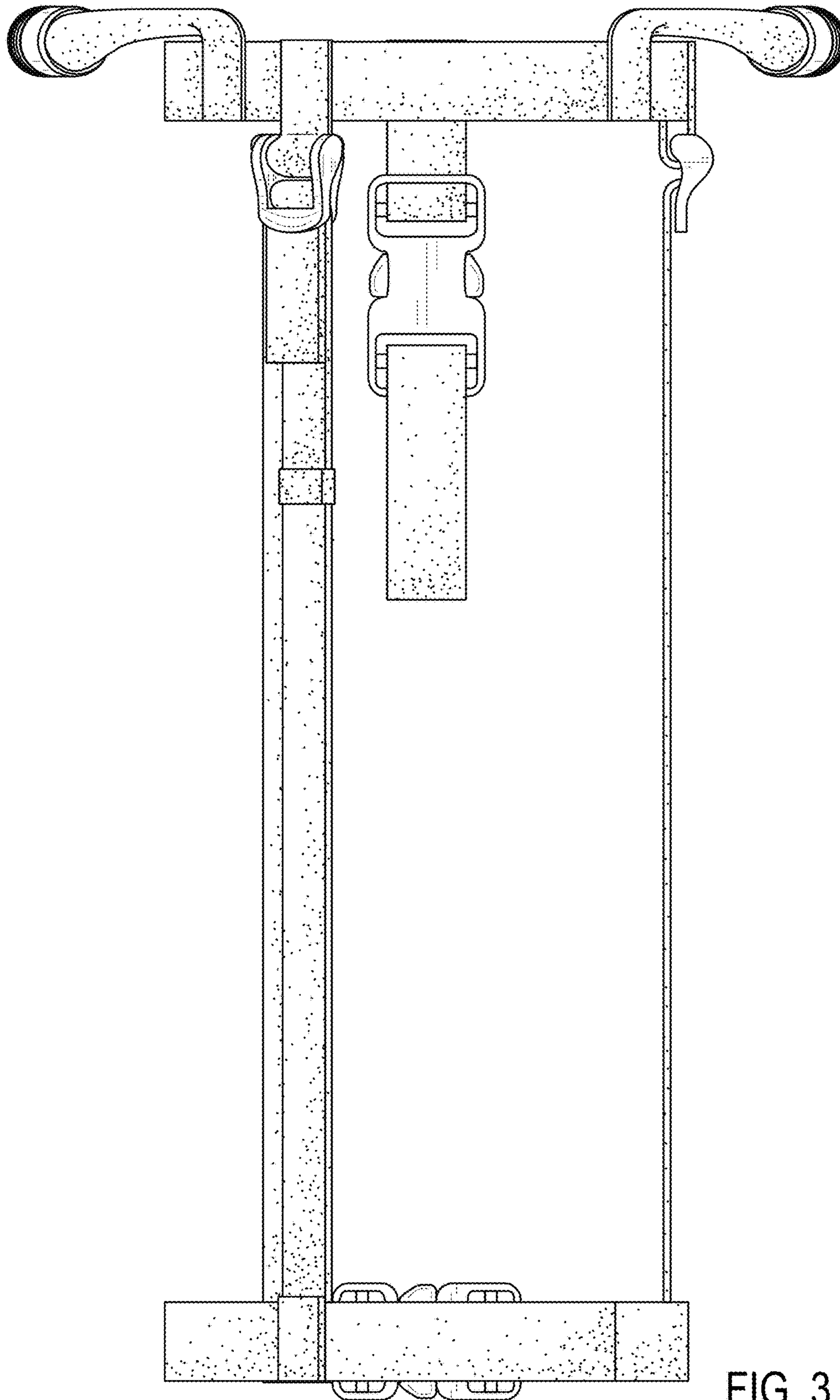


FIG. 3

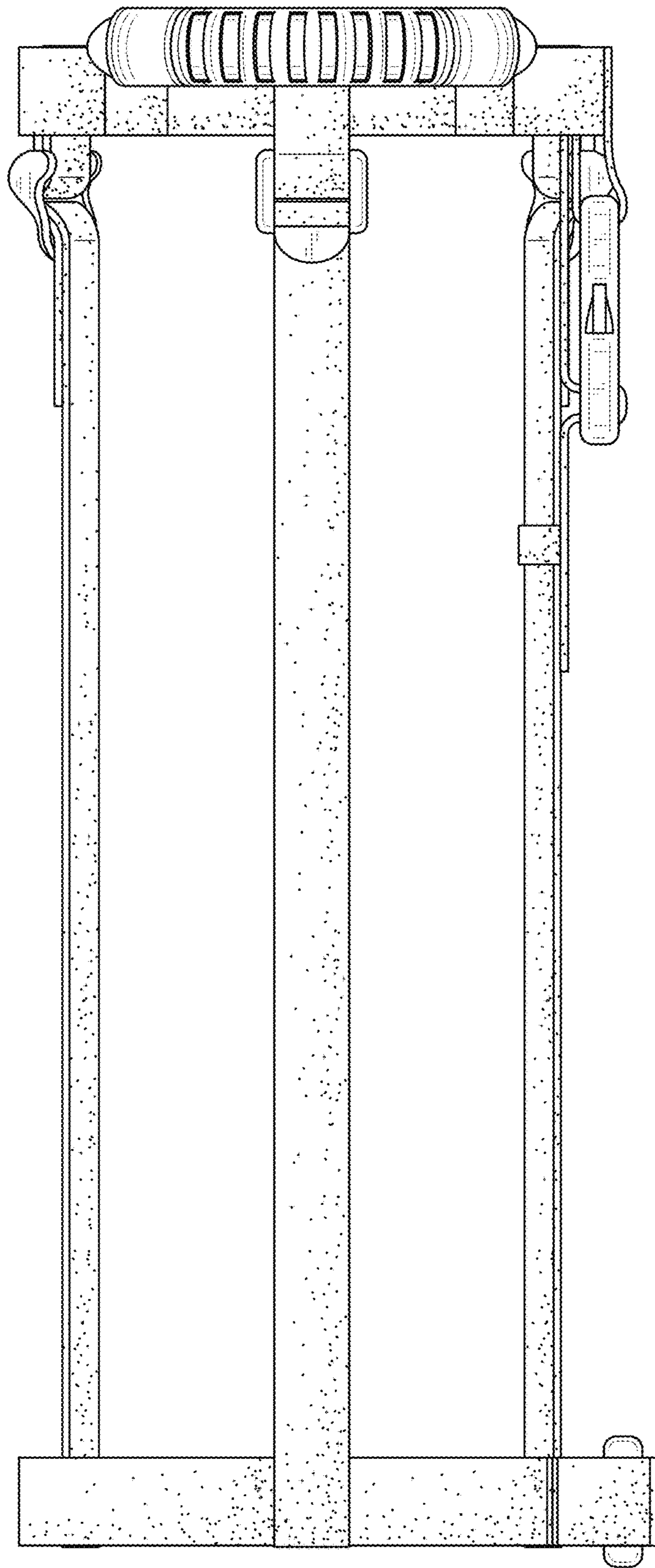


FIG. 4

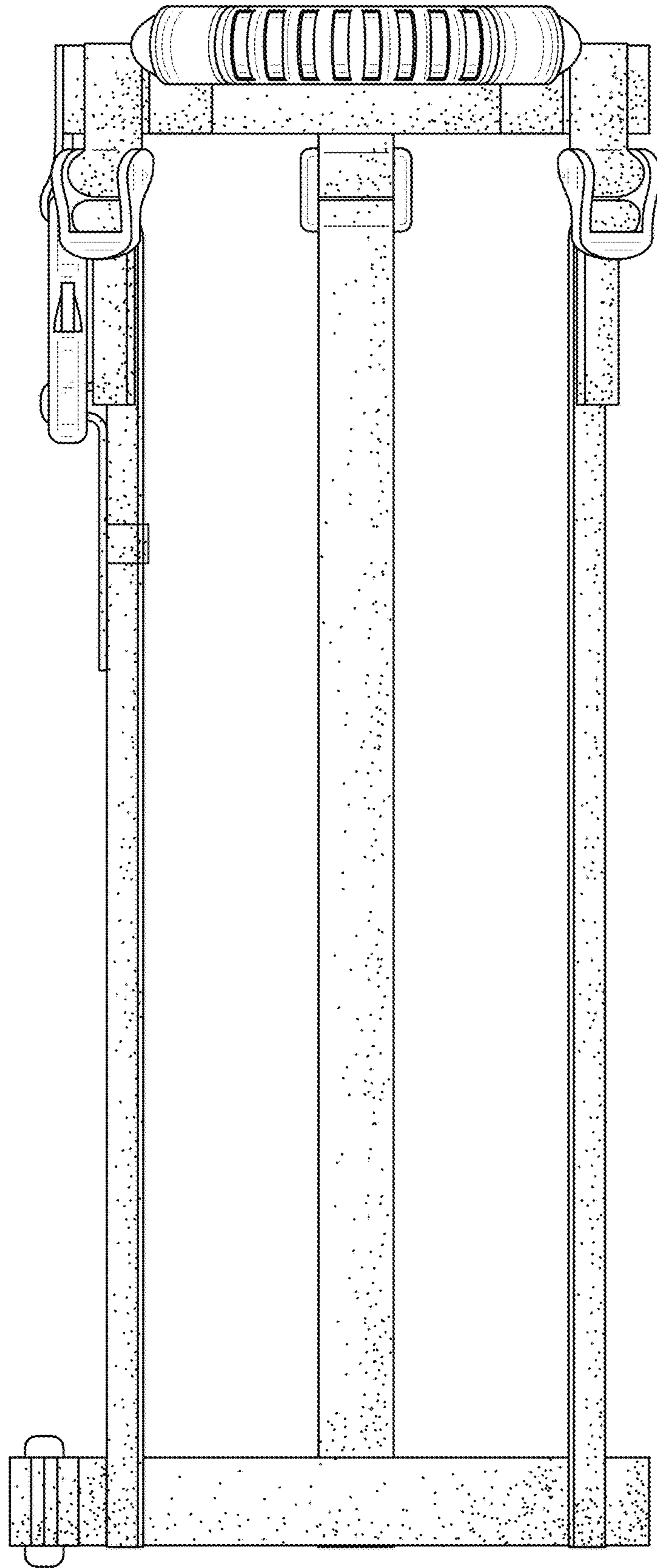


FIG. 5

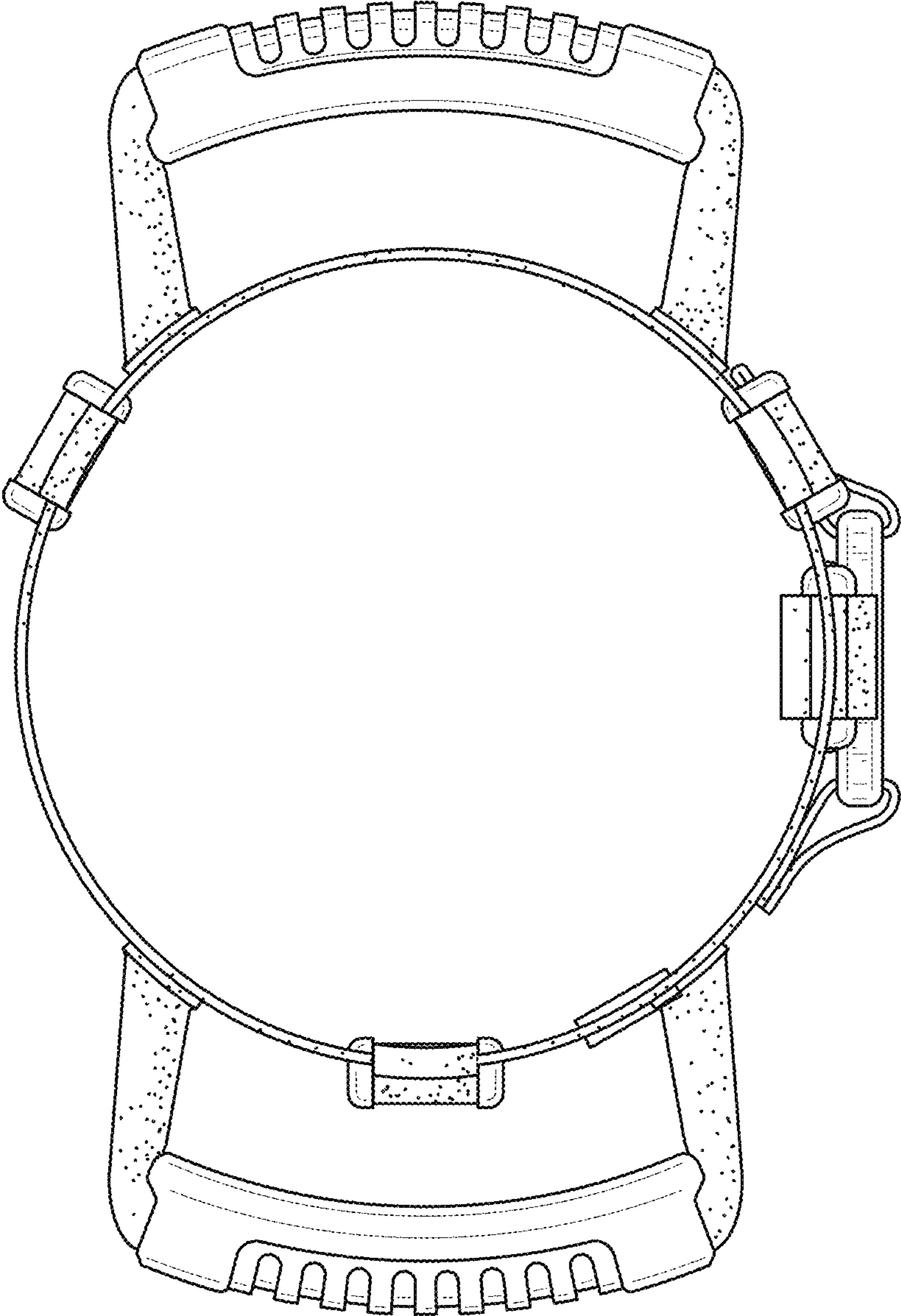


FIG. 6

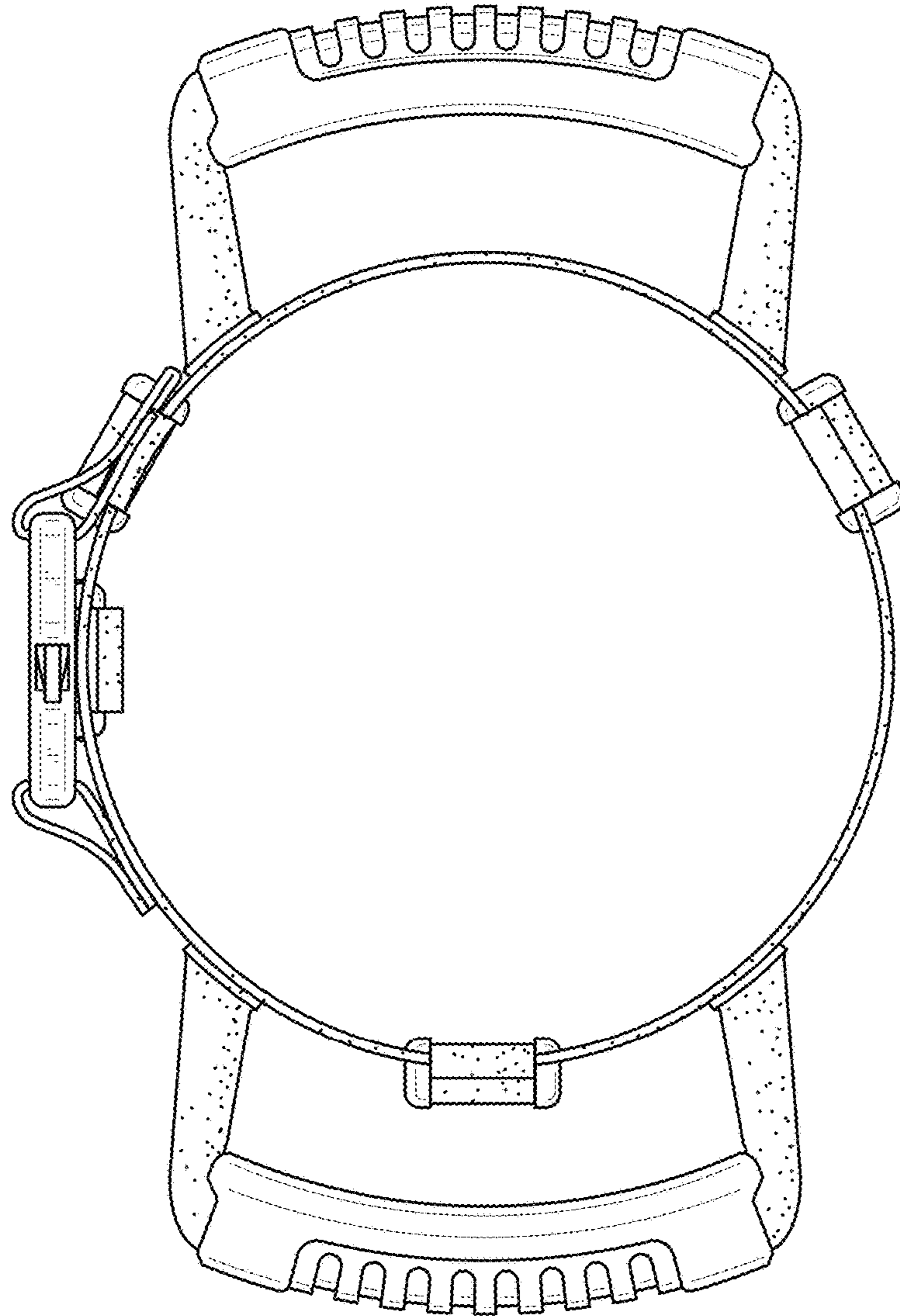


FIG. 7

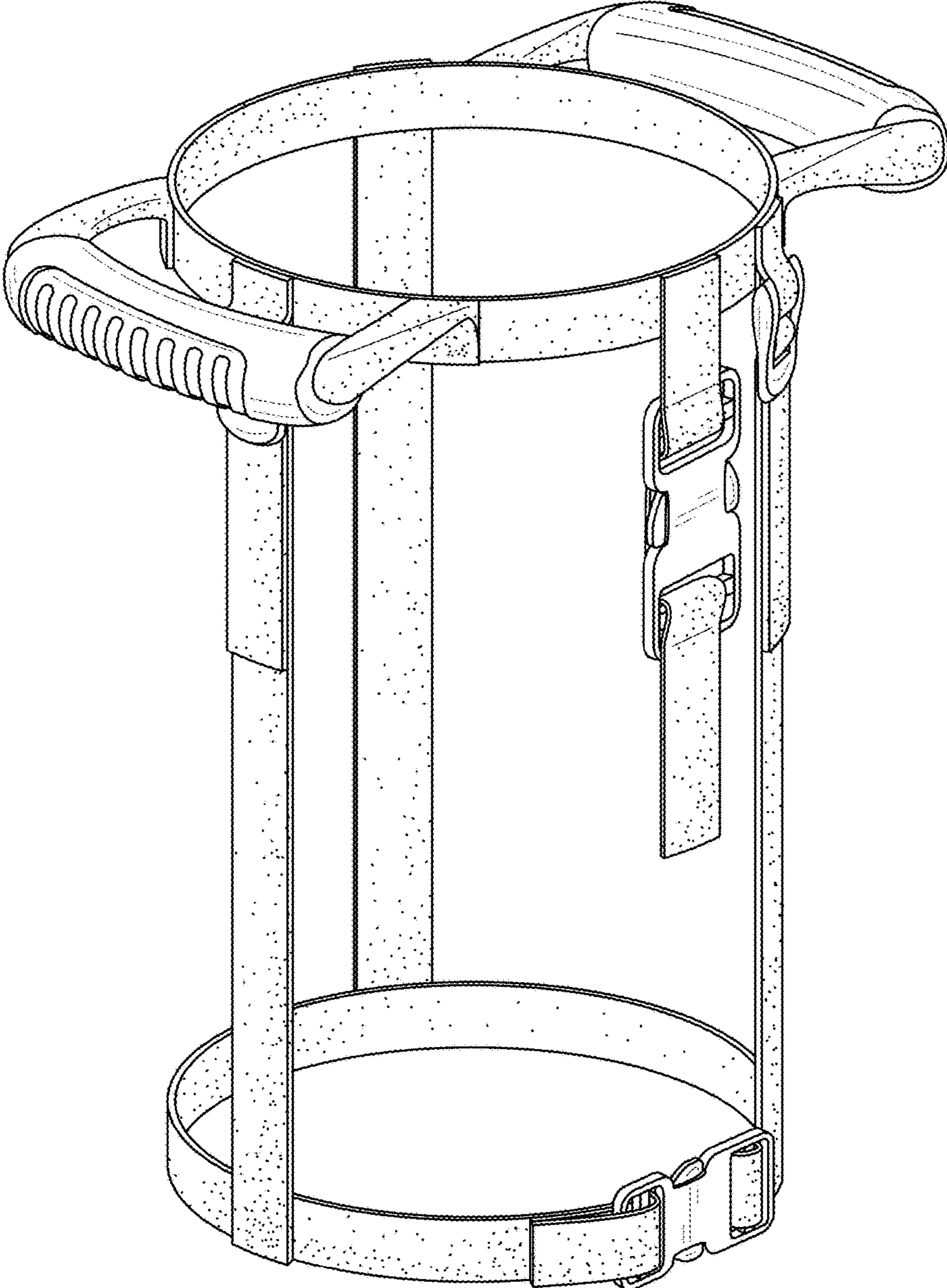


FIG. 8