



US00D867759S

(12) **United States Design Patent** (10) **Patent No.:** **US D867,759 S**
Liu (45) **Date of Patent:** **** Nov. 26, 2019**

(54) **FIREPROOF BAG**
(71) Applicant: **Shenzhen Yihuaxing Technology Co., Ltd.**, Shenzhen (CN)
(72) Inventor: **Yuming Liu**, Lianyuan (CN)
(**) Term: **15 Years**
(21) Appl. No.: **29/706,616**
(22) Filed: **Sep. 21, 2019**
(51) **LOC (12) Cl.** **03-01**
(52) **U.S. Cl.**
USPC **D3/303**; D3/301; D3/702
(58) **Field of Classification Search**
USPC D3/201, 205, 242, 273, 274, 275, 276,
D3/279, 281, 282, 283, 284, 289, 292,
D3/294, 295, 296, 297, 299, 301, 302,
D3/901, 903, 905; D9/702
CPC A45C 5/04; A45C 11/00; A45C 11/16
See application file for complete search history.

D730,648 S * 6/2015 Lentner D3/285
D779,208 S * 2/2017 Parker D3/301
D808,168 S * 1/2018 Turczynskyj D3/301
D822,996 S * 7/2018 Ehara D3/301
D831,498 S 10/2018 Zhang
D853,724 S * 7/2019 Shuai D3/301
D854,827 S * 7/2019 Yuan D3/289
D857,390 S * 8/2019 Kwon D3/301
D857,391 S * 8/2019 Coleman D3/301
2005/0150807 A1* 7/2005 Siwak A45C 7/0022
206/542

* cited by examiner

Primary Examiner — Holly E Thurman
(74) *Attorney, Agent, or Firm* — HYIP

(57) **CLAIM**

The ornamental design for a fireproof bag, as shown and described.

DESCRIPTION

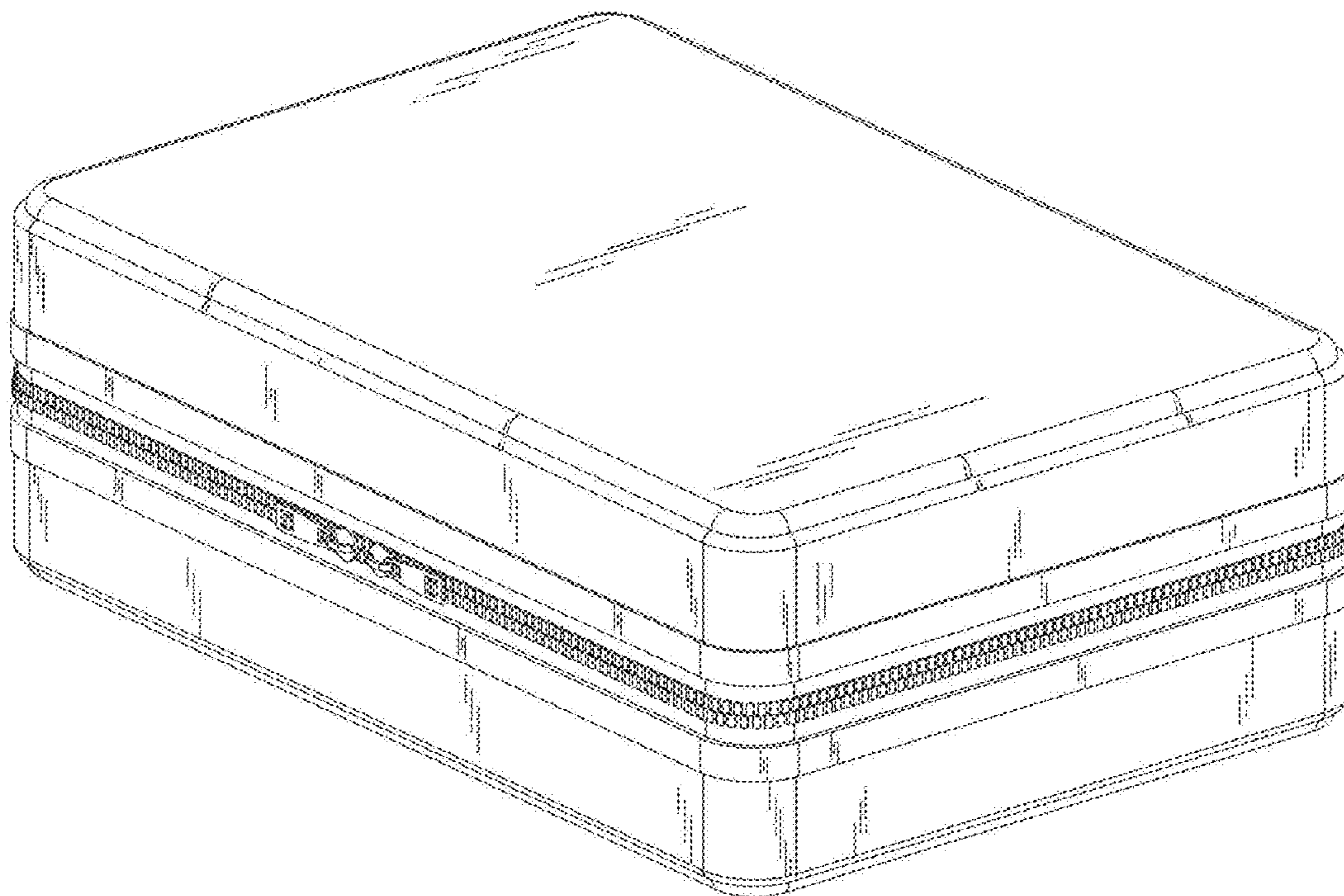
FIG. 1 is a perspective view of a fireproof bag showing my new design;
FIG. 2 is a front view thereof;
FIG. 3 is a back view thereof;
FIG. 4 is a left side view thereof;
FIG. 5 is a right side view thereof;
FIG. 6 is a top view thereof;
FIG. 7 is a bottom view thereof;
FIG. 8 is a perspective view of an opening state of the fireproof bag; and,
FIG. 9 is a top view of the opening state thereof.

1 Claim, 9 Drawing Sheets

(56) **References Cited**

U.S. PATENT DOCUMENTS

D379,267 S * 5/1997 Roegner D3/285
D396,750 S * 8/1998 Slater D3/284
D405,957 S * 2/1999 Test D3/289
D570,074 S 5/2008 Osiecki et al.
D632,079 S * 2/2011 Spencer D3/301
D667,195 S 9/2012 Guo
D692,236 S * 10/2013 Ashkenazy D3/289



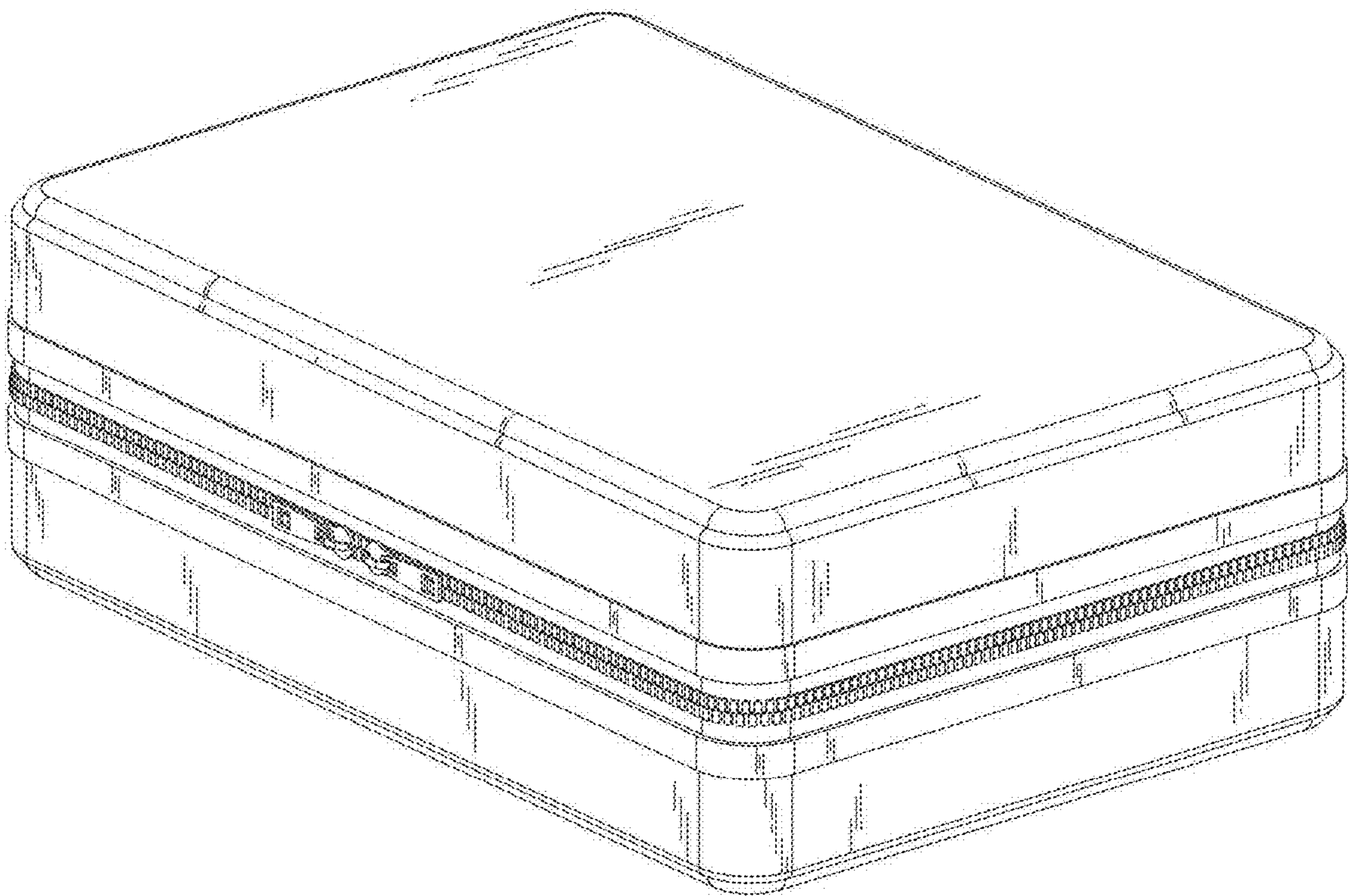


FIG. 1

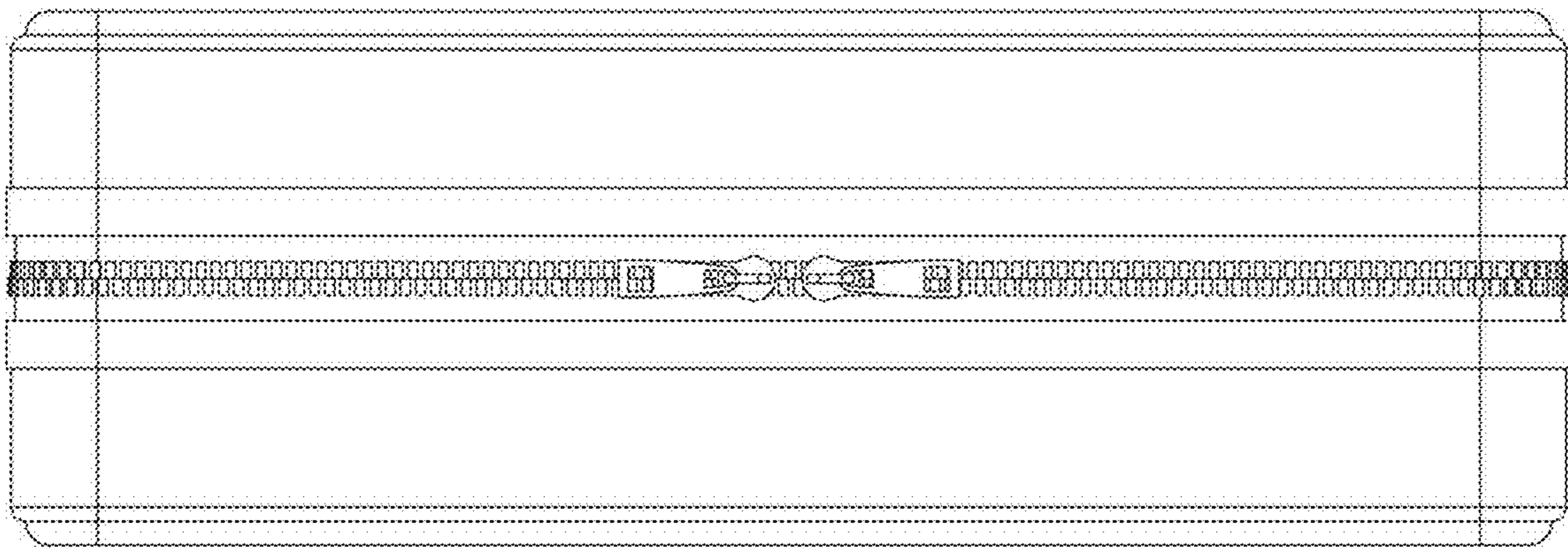


FIG. 2

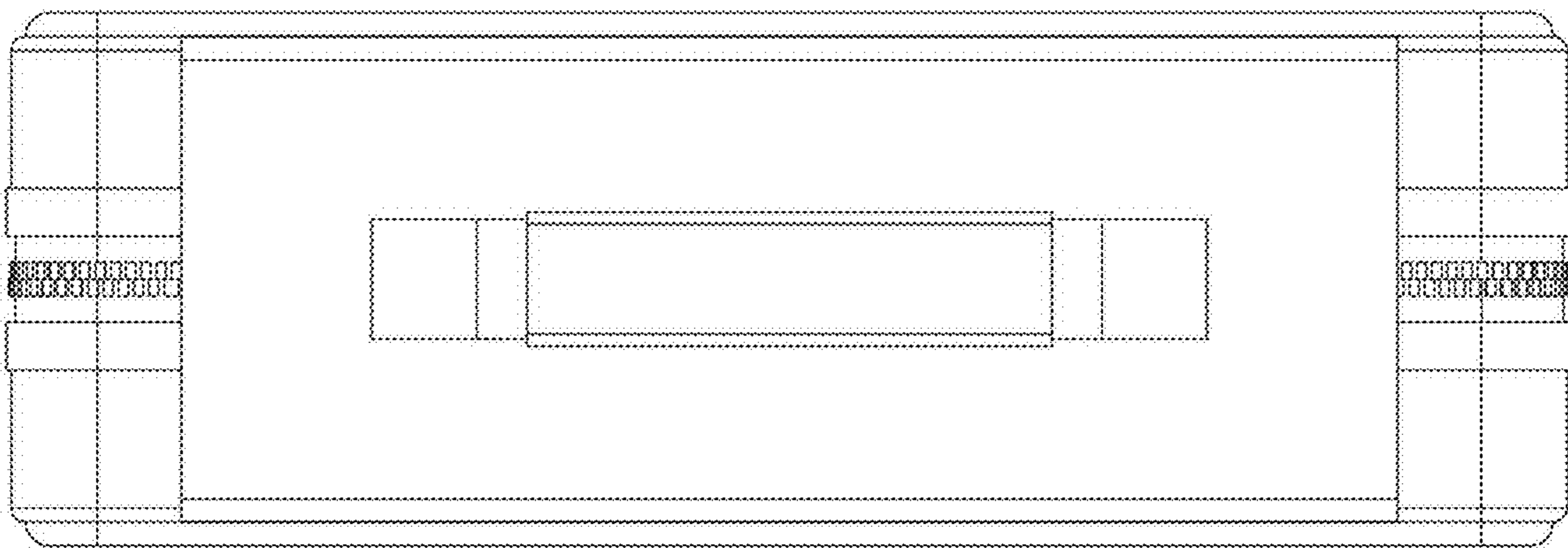


FIG. 3

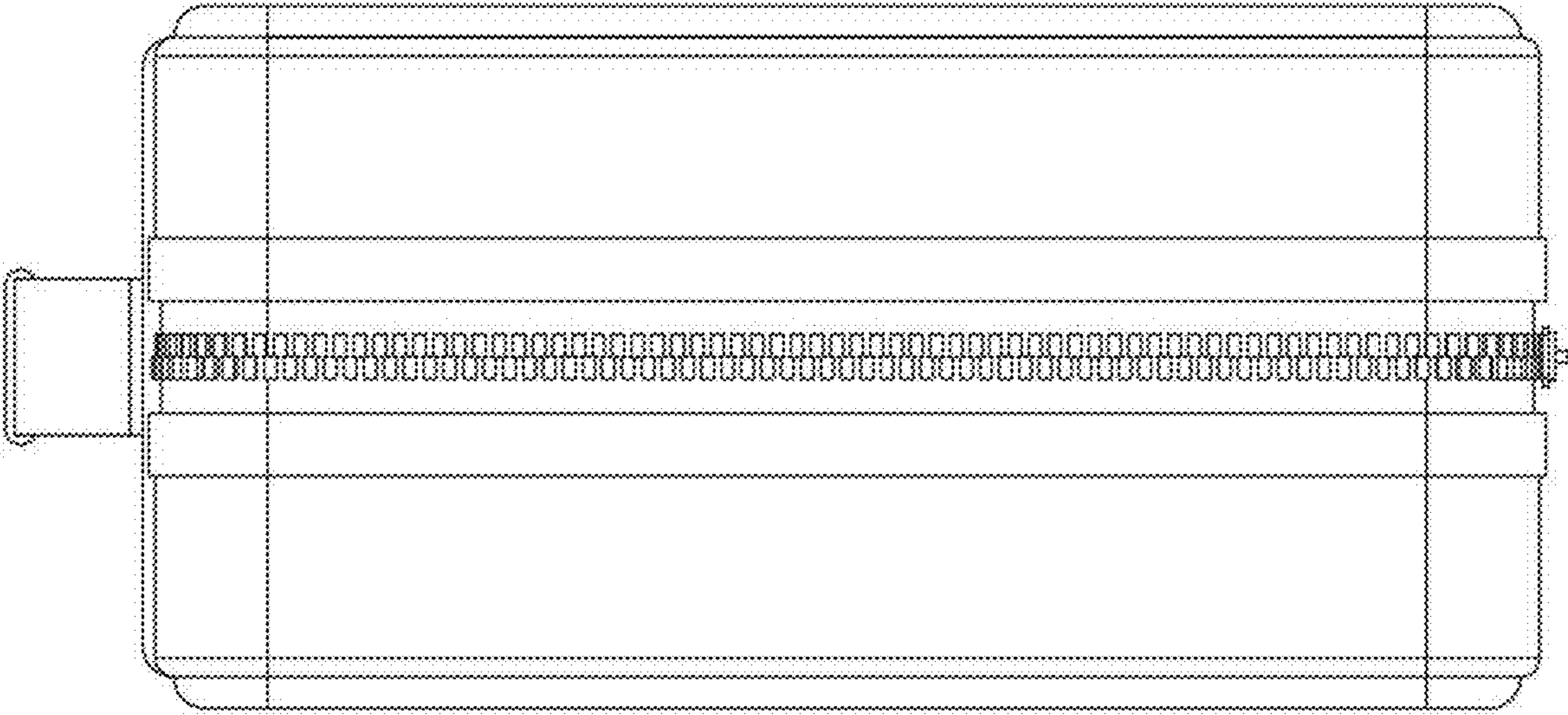


FIG. 4

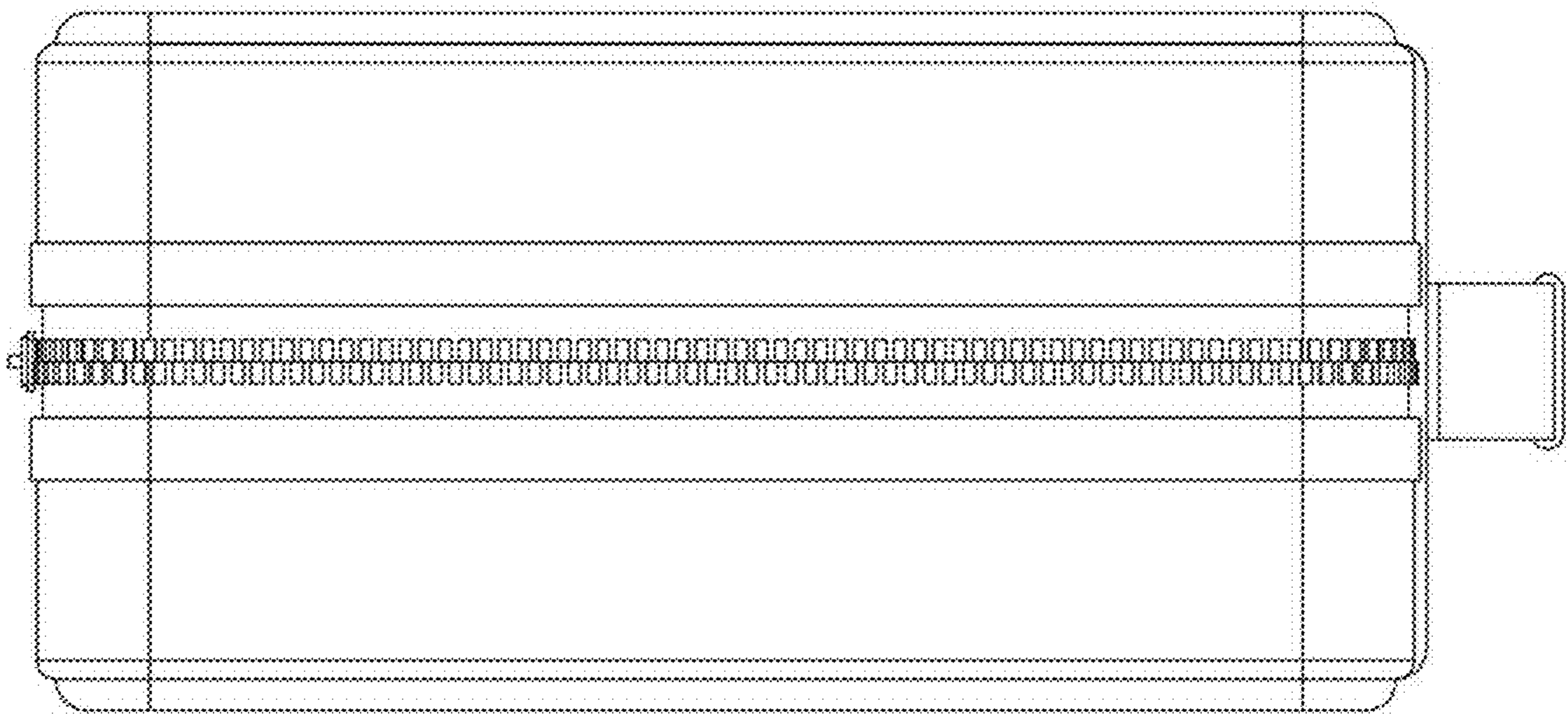


FIG. 5

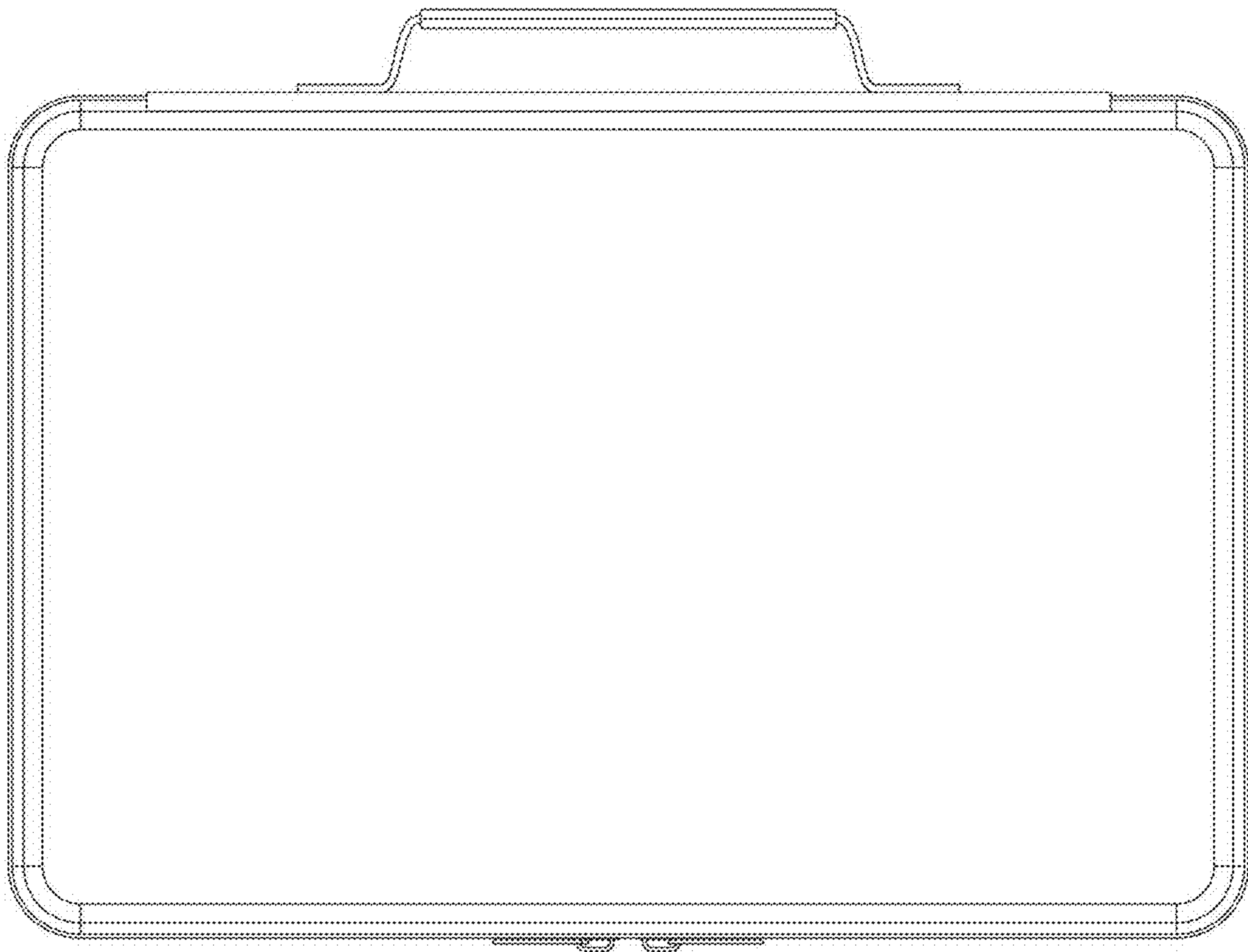


FIG. 6

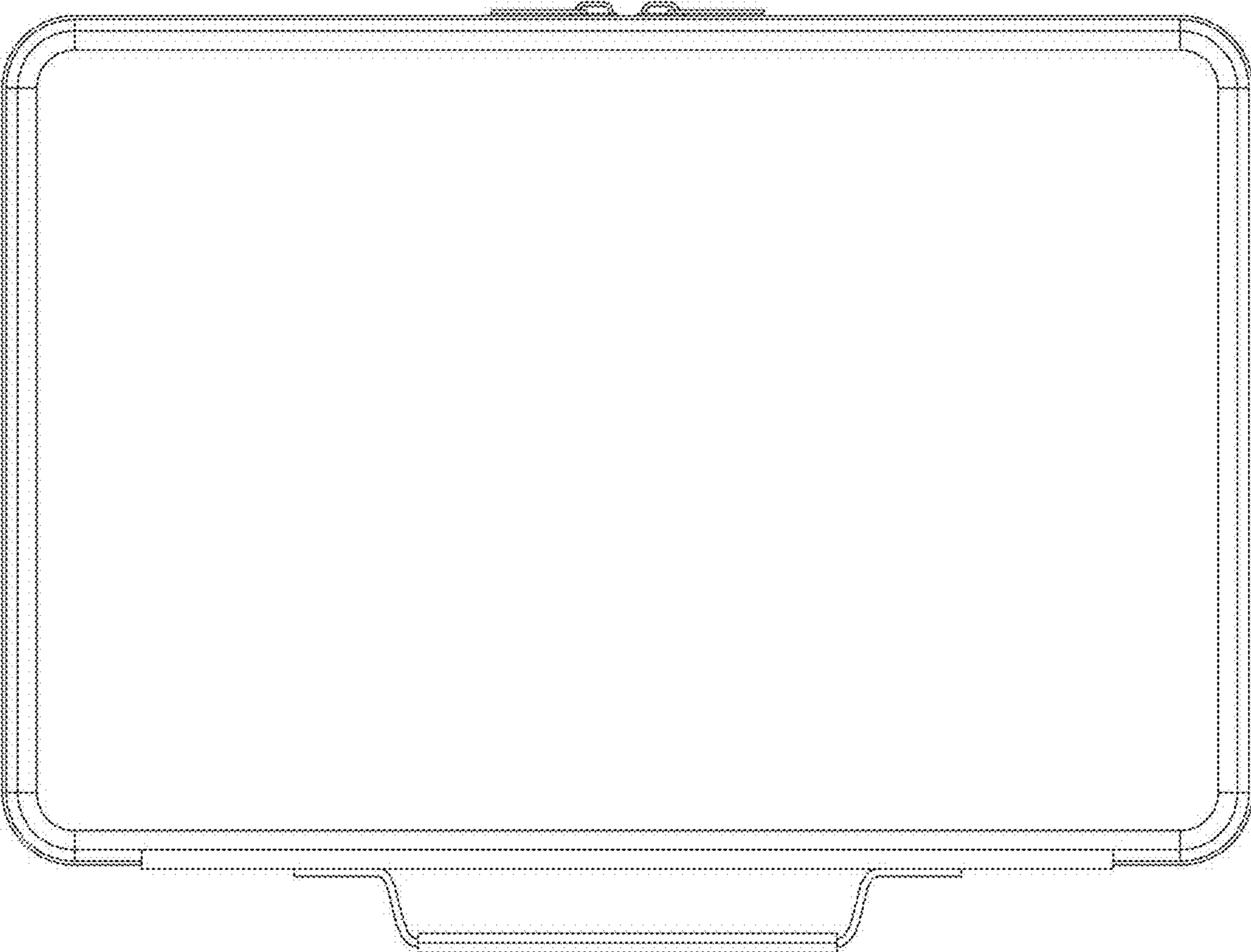


FIG. 7

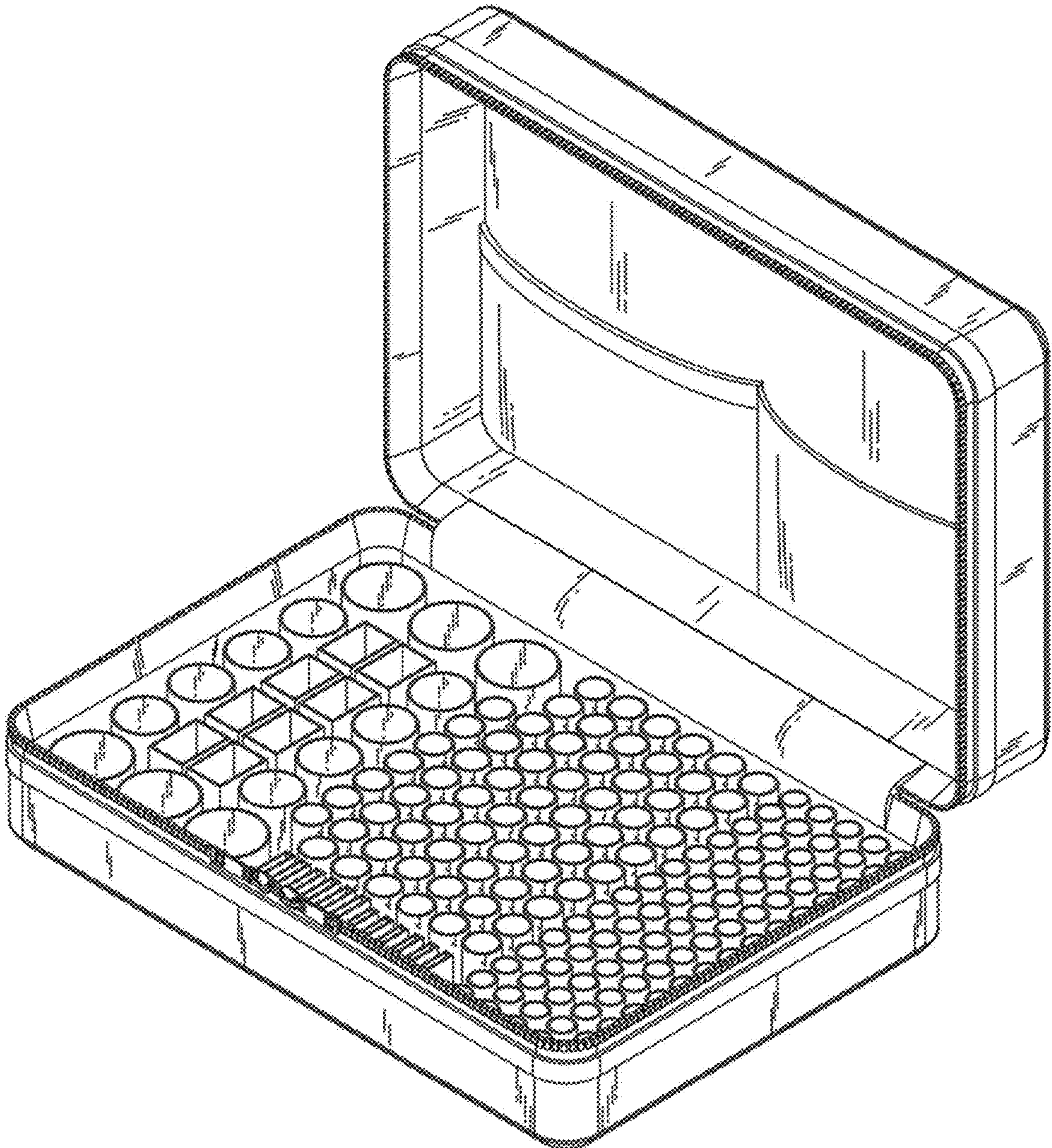


FIG. 8

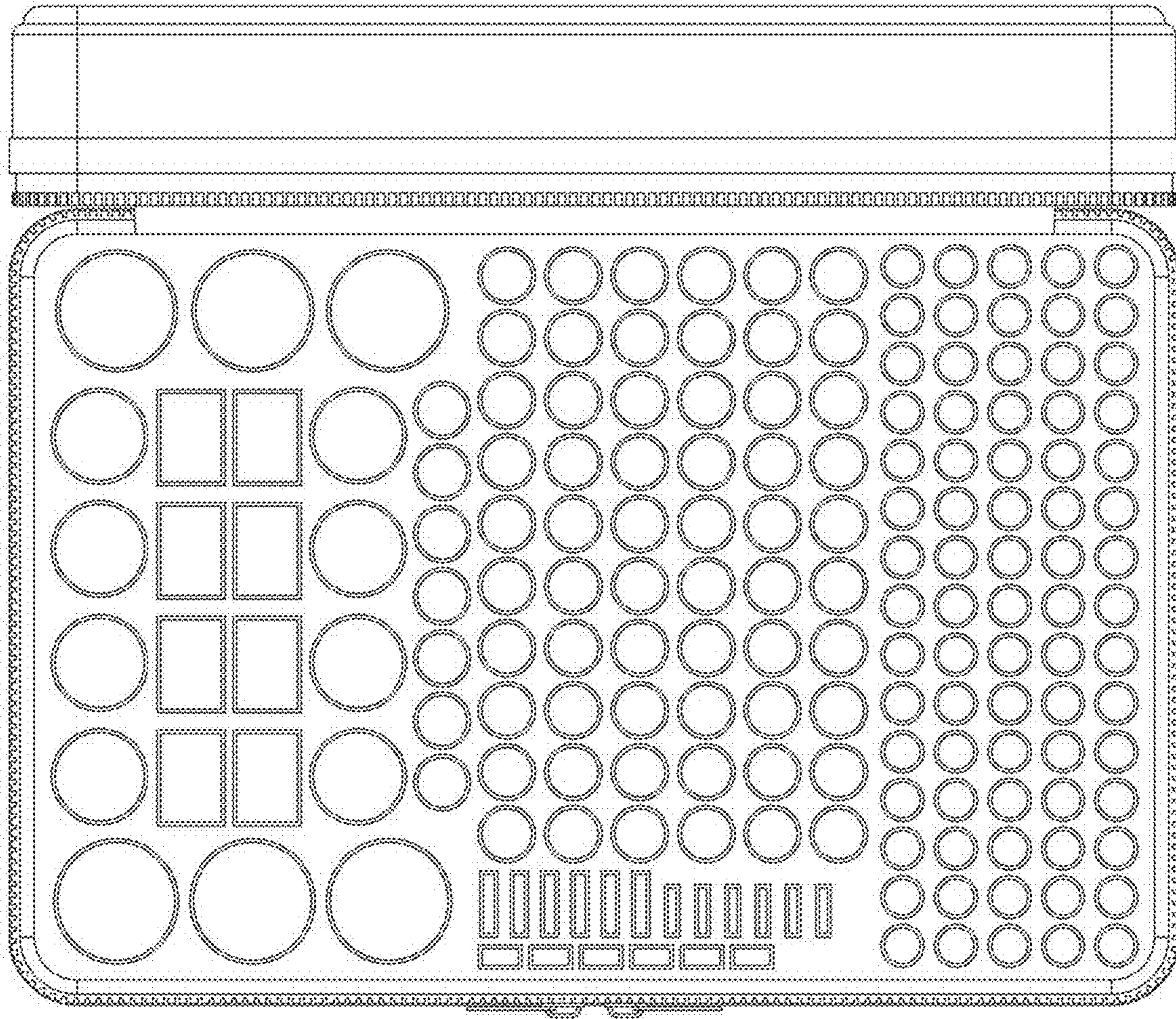


FIG. 9