



US00D867758S

(12) **United States Design Patent** (10) **Patent No.:** **US D867,758 S**
Jerabek (45) **Date of Patent:** **** Nov. 26, 2019**

(54) **HOLDALL**

(71) Applicant: **Eva-Maria Jerabek**, Klagenfurt (AT)

(72) Inventor: **Eva-Maria Jerabek**, Klagenfurt (AT)

(**) Term: **15 Years**

(21) Appl. No.: **35/505,245**

(22) Filed: **Jan. 11, 2018**

(80) **Hague Agreement Data**

Int. Filing Date: **Jan. 11, 2018**

Int. Reg. No.: **DM/101660**

Int. Reg. Date: **Jan. 11, 2018**

Int. Reg. Pub. Date: **Jul. 6, 2018**

(30) **Foreign Application Priority Data**

Jul. 21, 2017 (EM) 4113975-001

(51) **LOC (12) Cl.** **03-01**

(52) **U.S. Cl.**
USPC **D3/295**

(58) **Field of Classification Search**
USPC D3/201, 269, 272-274, 284, 294, 295,
D3/315

CPC ... B29C 66/71; B29C 66/8322; A45C 13/008;
A45C 13/1084; A45C 13/02; A45C 11/00

See application file for complete search history.

(56) **References Cited**

U.S. PATENT DOCUMENTS

4,506,798	A *	3/1985	Goutille	B65D 88/121 220/1.5
D336,152	S *	6/1993	Bunger	D3/201
D478,811	S *	8/2003	Huang	D3/294
D484,694	S *	1/2004	Leen	D3/273
D496,530	S *	9/2004	Wolf	D3/273
D691,804	S *	10/2013	Wang	D3/294
8,813,985	B2 *	8/2014	Schloesser	B65D 7/24 206/600
D771,944	S *	11/2016	Epicureo	D3/305
D778,608	S *	2/2017	Hsu	D3/294
D818,712	S *	5/2018	Fleming	D3/294
D818,713	S *	5/2018	Fleming	D3/295
D836,339	S *	12/2018	Winn	D3/294
D837,513	S *	1/2019	Makela	D3/273

* cited by examiner

Primary Examiner — Jennifer L Watkins

(57) **CLAIM**

The ornamental design for a holdall, as shown and described.

DESCRIPTION

1. Holdall

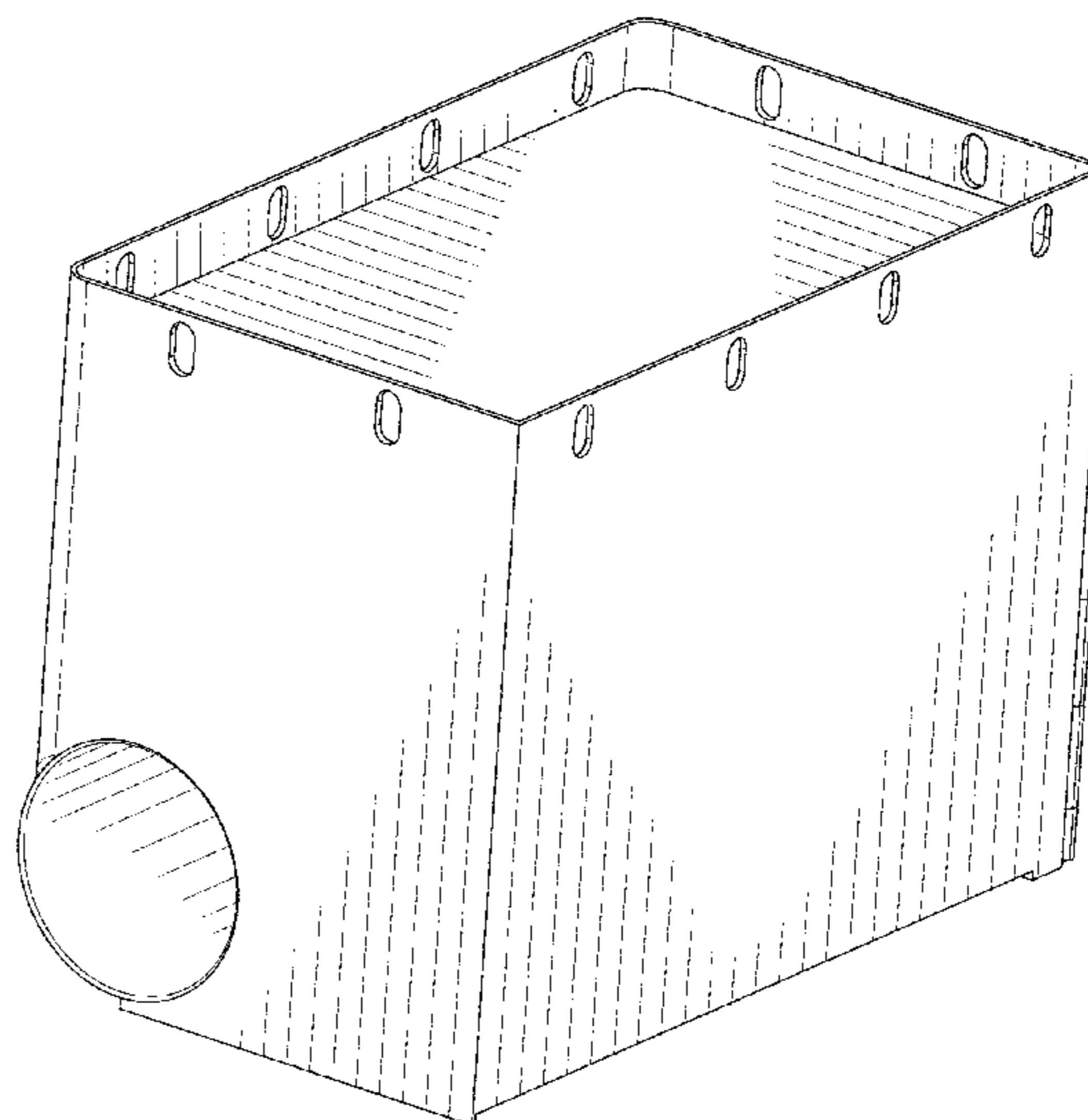
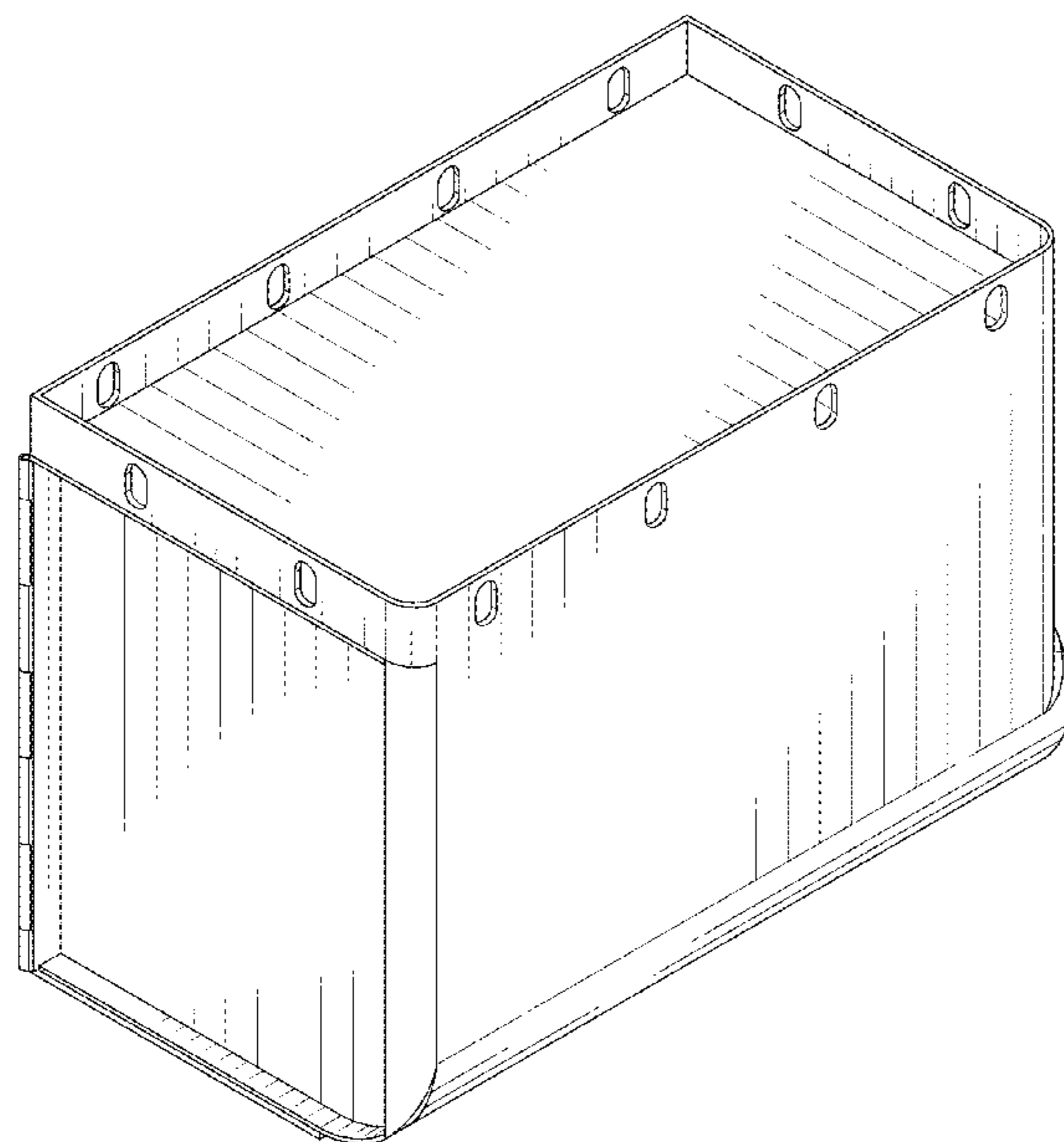
1.1 : front perspective view with closed access opening

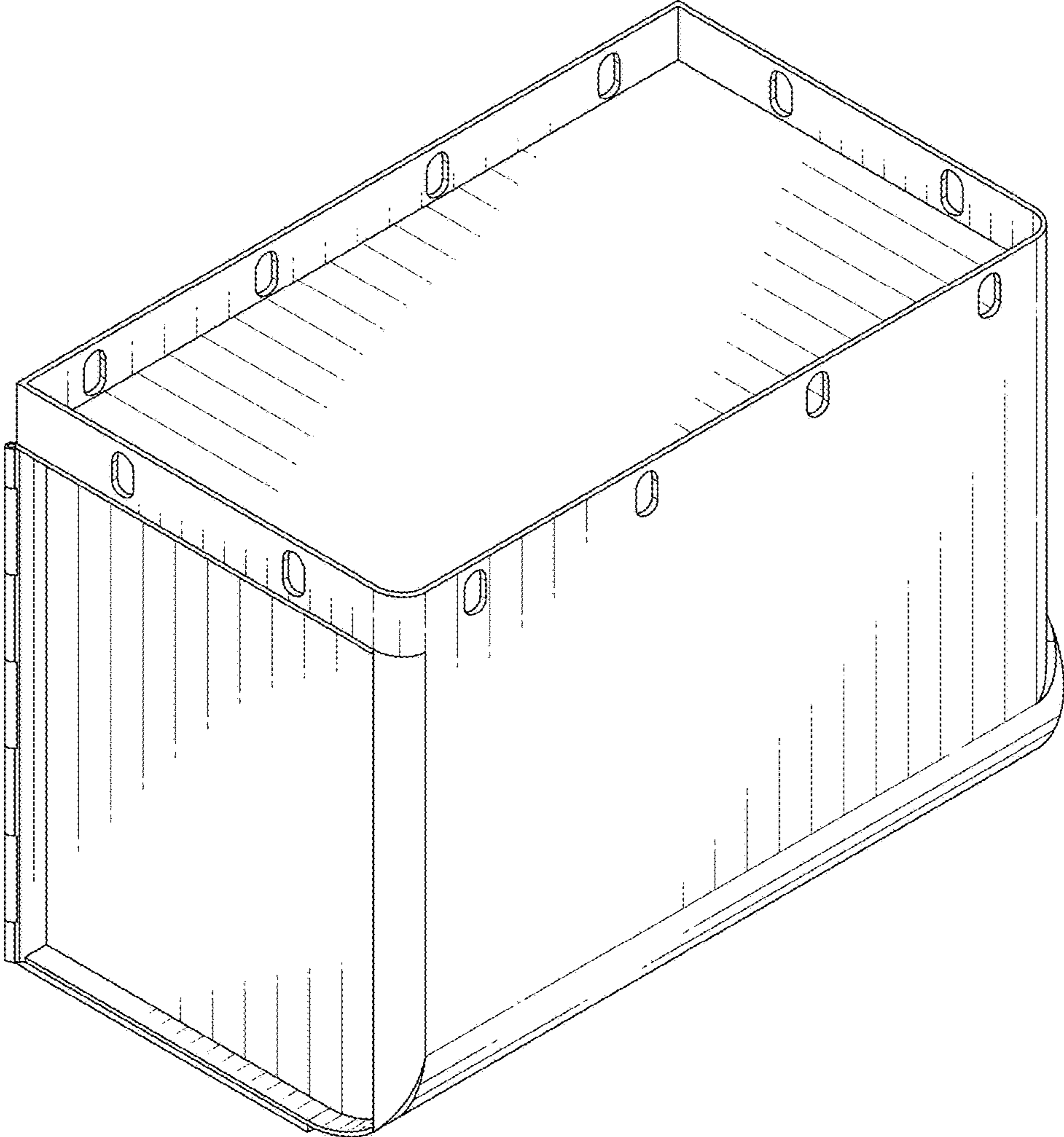
1.2 : front perspective view with opened access opening

1.3 : back perspective view

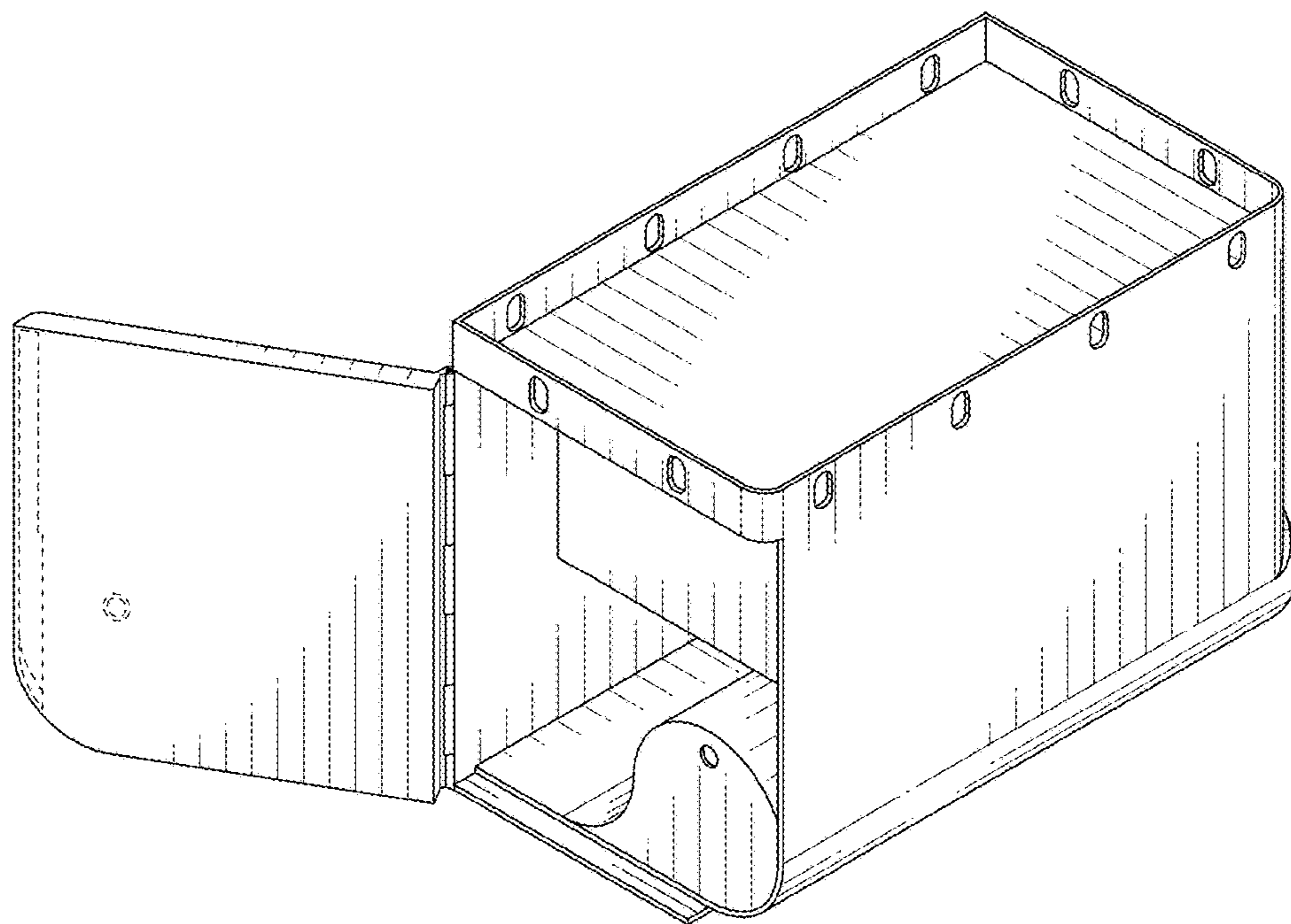
The broken line representation in view 1.2 is for the purpose of depicting portions of the holdall and form no part of the claim.

1 Claim, 3 Drawing Sheets

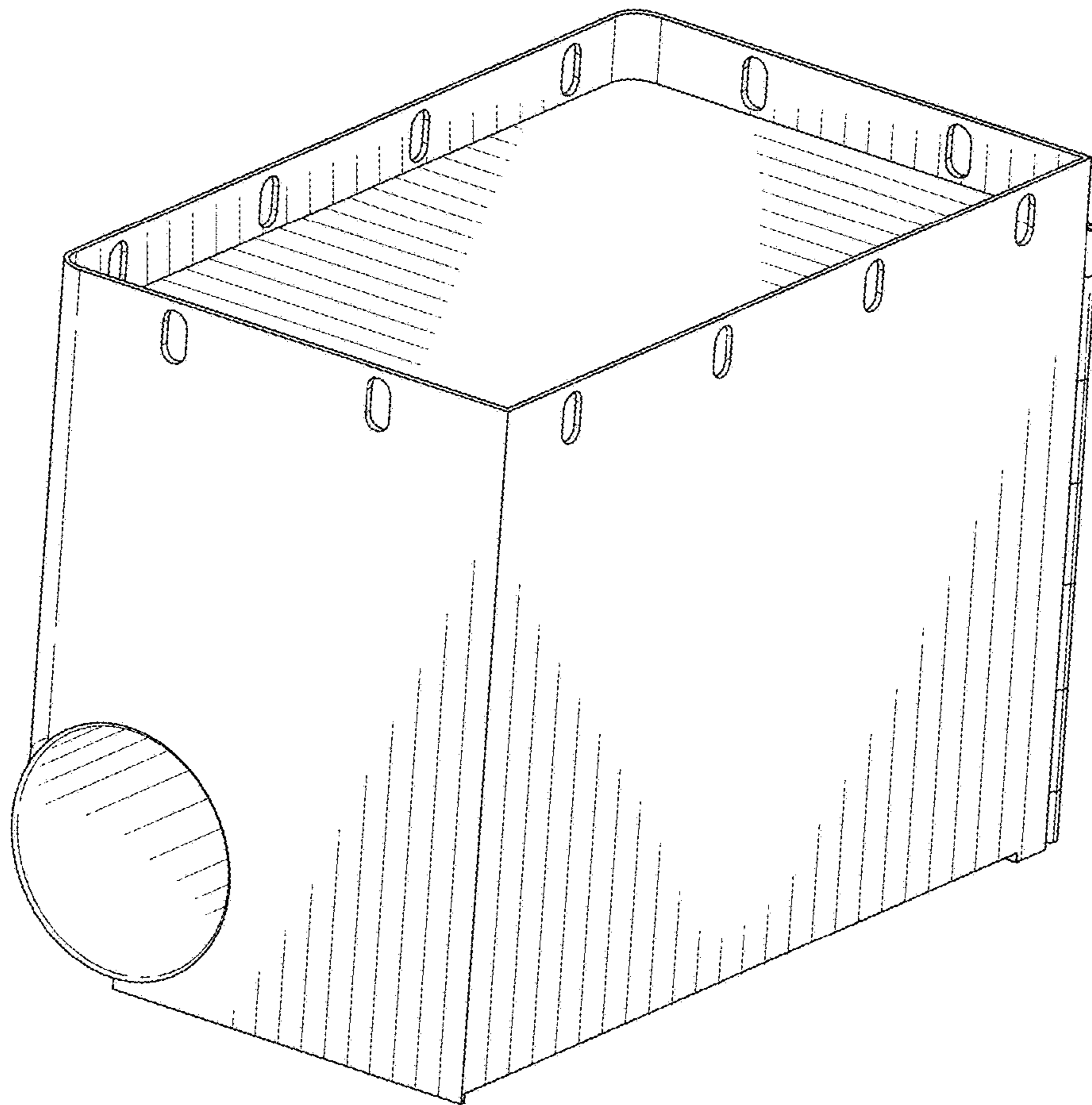




1.1



1.2



1.3