

US00D867754S

(12) **United States Design Patent** (10) **Patent No.:** **US D867,754 S**  
**Gonzalez** (45) **Date of Patent:** **\*\* \*Nov. 26, 2019**

(54) **SHOULDER BAG**  
(71) Applicant: **MULBERRY COMPANY (DESIGN) LTD**, Bath (GB)

D775,820 S \* 1/2017 Sassi ..... D3/232  
D818,266 S \* 5/2018 Hawkes ..... D3/232  
D818,703 S \* 5/2018 Guyon ..... D3/232  
D818,706 S \* 5/2018 Maier ..... D3/232  
D821,745 S \* 7/2018 Dumas ..... D3/232  
D831,343 S \* 10/2018 Sassi ..... D3/232

(72) Inventor: **Victoria Gonzalez**, London (GB)

\* cited by examiner

(\* ) Notice: This patent is subject to a terminal disclaimer.

*Primary Examiner* — Holly E Thurman  
(74) *Attorney, Agent, or Firm* — Moore & Van Allen PLLC; Henry B. Ward, III

(\*\*) Term: **15 Years**

(21) Appl. No.: **35/504,170**

(57) **CLAIM**

(22) Filed: **Dec. 1, 2017**

The ornamental design for a shoulder bag, as shown and described.

(80) **Hague Agreement Data**

**DESCRIPTION**

Int. Filing Date: **Dec. 1, 2017**  
Int. Reg. No.: **DM/098880**  
Int. Reg. Date: **Dec. 1, 2017**  
Int. Reg. Pub. Date: **Dec. 22, 2017**

Figure 1.1 is a top plan view of a shoulder bag, according to the embodiment of the present invention shown;  
Figure 1.2 is a front, left-side perspective view of the shoulder bag shown in Figure 1.1;  
Figure 1.3 is a front elevational view of the shoulder bag shown in Figure 1.1;  
Figure 1.4 is a rear elevational view of the shoulder bag shown in Figure 1.1;  
Figure 1.5 is a left-side elevational view of the shoulder bag shown in Figure 1.1;  
Figure 1.6 is a right-side elevational view of the shoulder bag shown in Figure 1.1; and  
Figure 1.7 is a bottom plan view of the shoulder bag shown in Figure 1.1.

(51) **LOC (12) Cl.** ..... **03-01**

(52) **U.S. Cl.**  
USPC ..... **D3/232**

(58) **Field of Classification Search**  
USPC ..... D3/201, 217, 232–233, 240–243, D3/245–247, 249–253, 318, 321, 322  
CPC ..... A45C 1/024; A45C 3/06  
See application file for complete search history.

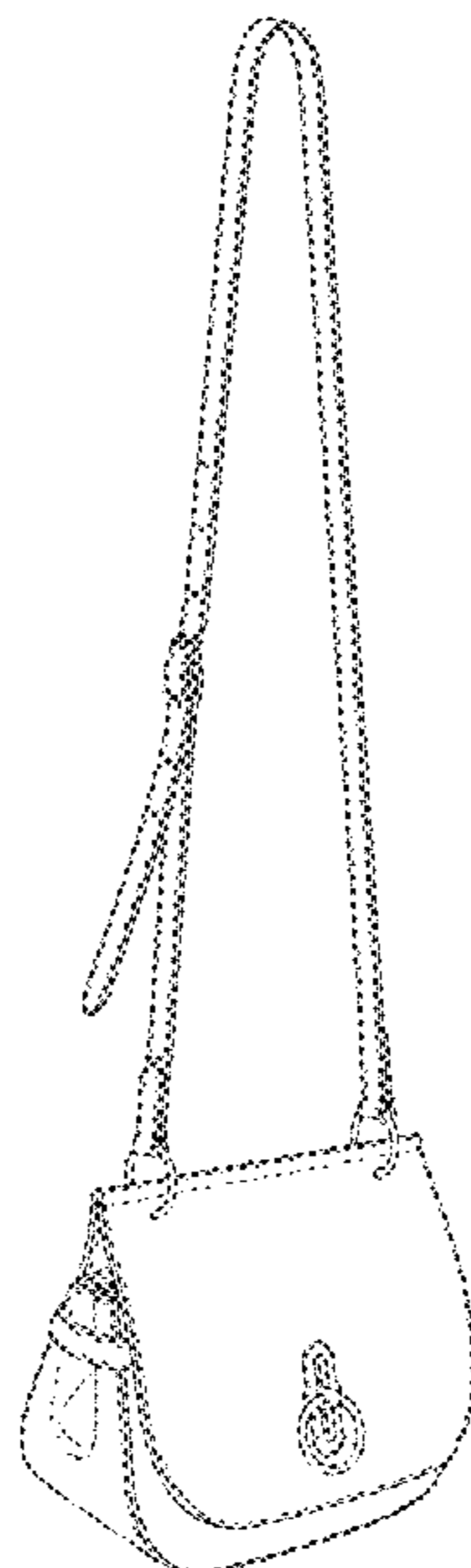
The broken lines shown in the drawings are provided for illustrative purposes only and form no part of the claimed design.

(56) **References Cited**

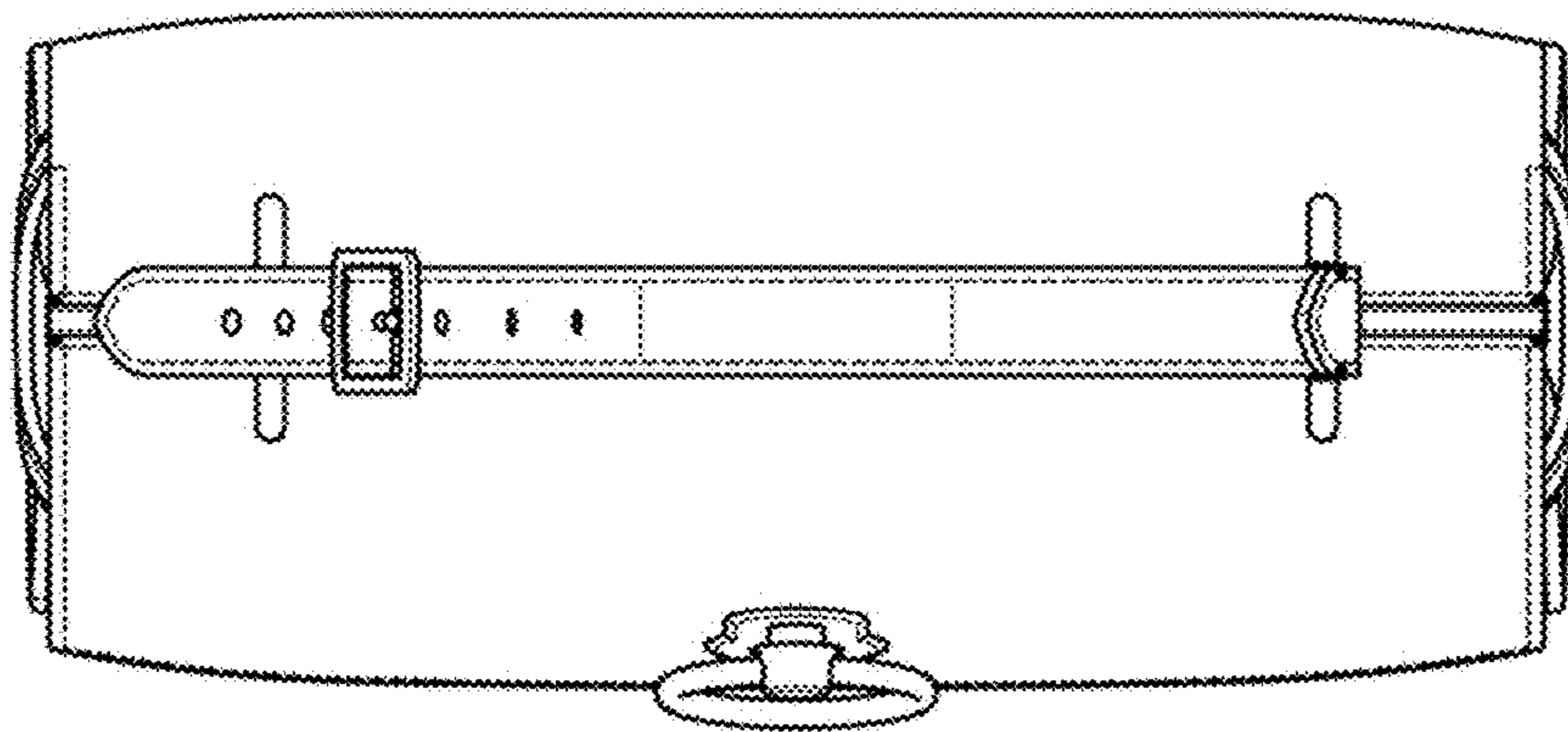
**U.S. PATENT DOCUMENTS**

D745,268 S \* 12/2015 Slimane ..... D3/232  
D761,556 S \* 7/2016 Sassi ..... D3/232

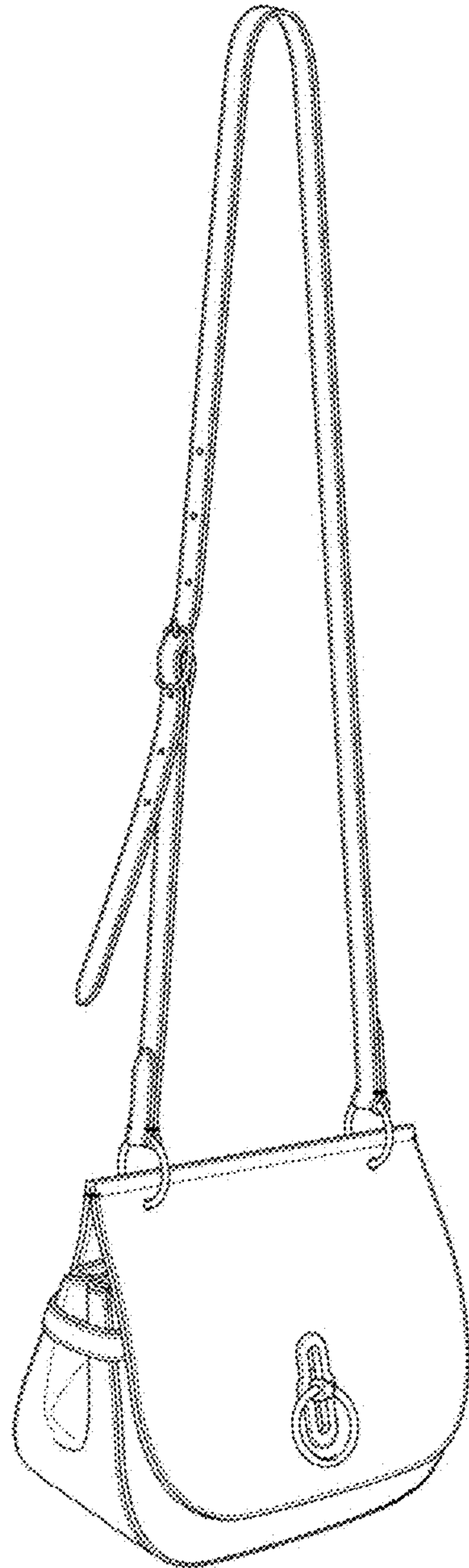
**1 Claim, 7 Drawing Sheets**



1.1



1.2



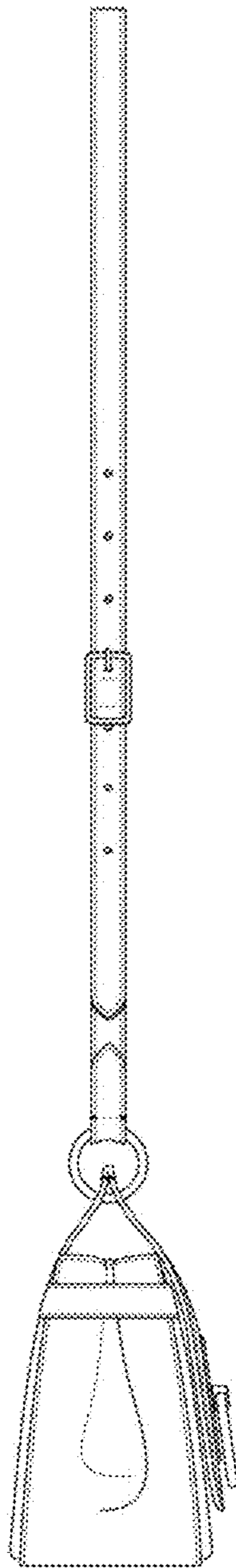
1.3



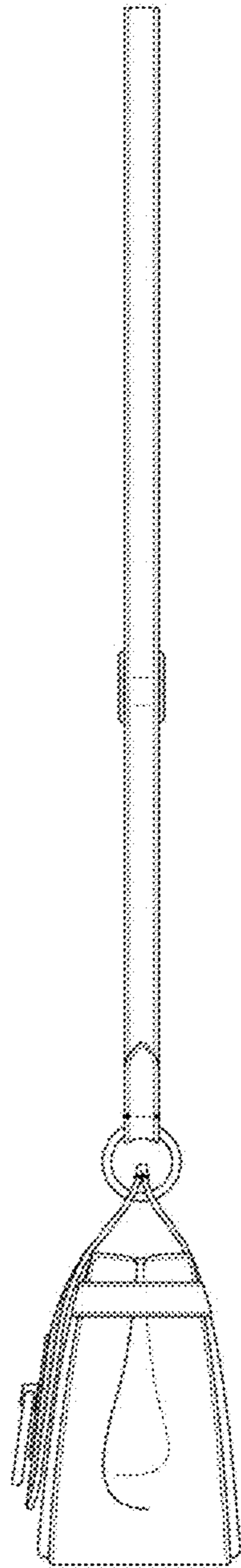
1.4



1.5



1.6





1.7

