

US00D867753S

(12) **United States Design Patent**  
**Giffin**

(10) **Patent No.:** **US D867,753 S**

(45) **Date of Patent:** **\*\* Nov. 26, 2019**

(54) **TOOL HOLSTER**

(71) Applicant: **Brian Giffin**, Lummi Island, WA (US)

(72) Inventor: **Brian Giffin**, Lummi Island, WA (US)

(73) Assignee: **Giffin Tec, Inc.**, Lummi Island, WA (US)

(\*\*) Term: **15 Years**

(21) Appl. No.: **29/659,105**

(22) Filed: **Aug. 6, 2018**

(51) **LOC (12) Cl.** ..... **03-01**

(52) **U.S. Cl.**

USPC ..... **D3/228**

(58) **Field of Classification Search**

USPC ..... D3/228, 226, 224, 220; 224/240, 245,  
224/249, 232, 270, 251, 673, 676-678,  
224/904; 206/373-374

CPC .... A45F 5/02; A45F 5/021; A45F 2200/0575;  
B25H 3/00; Y10S 224/904; Y10S  
224/907

See application file for complete search history.

(56) **References Cited**

**U.S. PATENT DOCUMENTS**

87,715	A	3/1869	Sible	
1,031,914	A	7/1912	Clouse	
3,756,737	A	9/1973	Smith	
3,932,904	A	1/1976	Nilsson et al.	
4,413,937	A	11/1983	Gutsche	
4,629,375	A	12/1986	Lieser	
4,710,079	A	12/1987	Smith et al.	
D349,603	S *	8/1994	Doerksen	D3/228
5,722,805	A	3/1998	Giffin	
5,826,762	A *	10/1998	Dellinger	A45F 5/02 224/270

D533,343	S *	12/2006	Gringer	D3/228
D555,354	S *	11/2007	Chen	D3/228
D588,800	S *	3/2009	Cicione	D3/228
D692,231	S *	10/2013	Moreau	A45F 5/02 D3/228

(Continued)

**FOREIGN PATENT DOCUMENTS**

DE 1552404 12/1969

**OTHER PUBLICATIONS**

U.S. Appl. No. 15/946,513, filed Apr. 5, 2018, Giffin.

(Continued)

*Primary Examiner* — Catherine R Oliver-Garcia

(74) *Attorney, Agent, or Firm* — Sheridan Ross P.C.

(57) **CLAIM**

The ornamental design for a tool holster, as shown and described.

**DESCRIPTION**

FIG. 1 is a front perspective view of a tool holster of the claimed design;

FIG. 2 is a rear perspective view of the tool holster of FIG. 1;

FIG. 3 is a front elevation view of the tool holster of FIG. 1;

FIG. 4 is a rear elevation view of the tool holster of FIG. 1;

FIG. 5 is a right elevation view of the tool holster of FIG. 1;

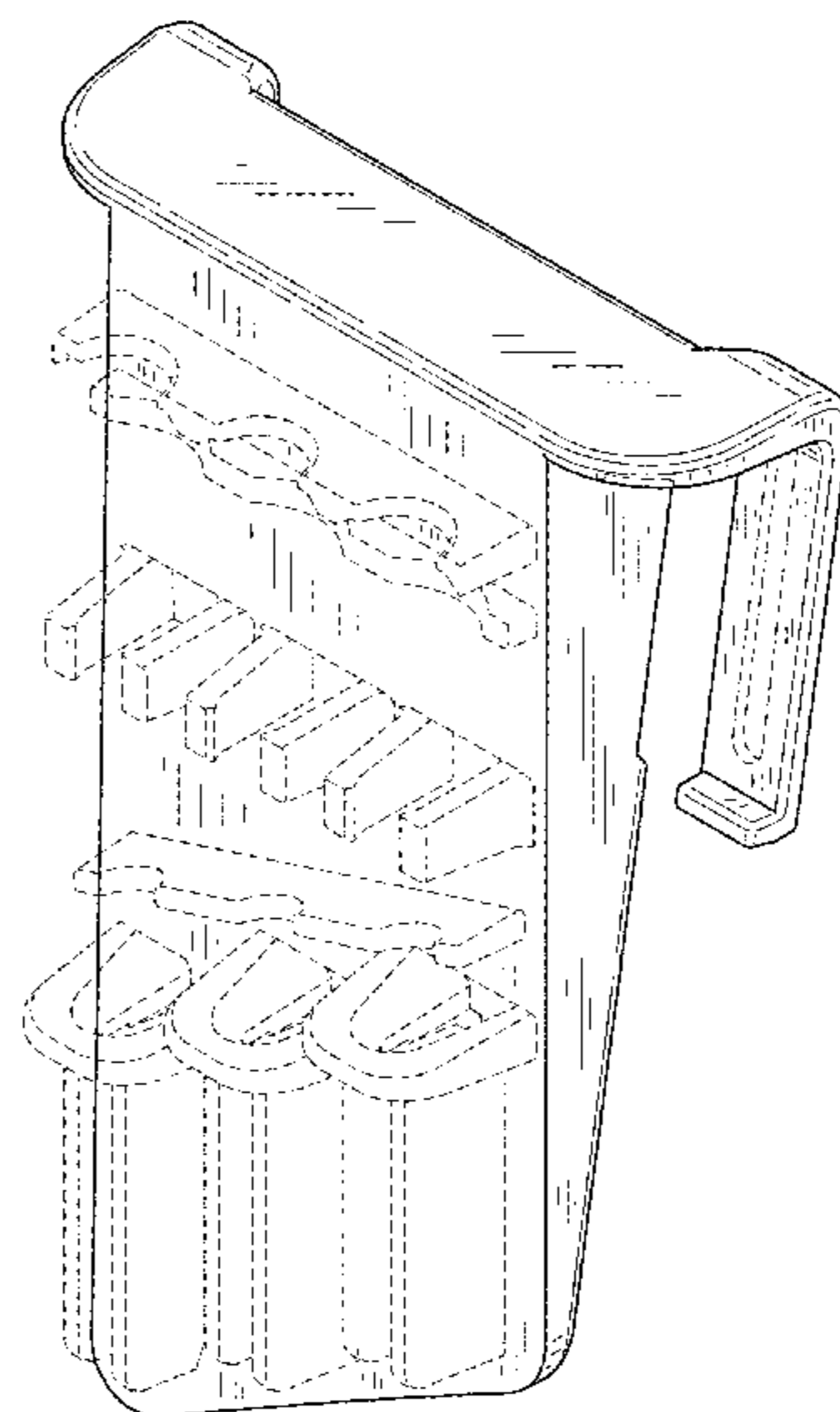
FIG. 6 is a left elevation view of the tool holster of FIG. 1;

FIG. 7 is a top plan view of the tool holster of FIG. 1; and,

FIG. 8 is a bottom plan view of the tool holster of FIG. 1.

The broken lines in the figures are for the purposes of illustrating portions of the tool holster or environmental structure and form no part of the claimed design.

**1 Claim, 7 Drawing Sheets**



(56)

**References Cited**

U.S. PATENT DOCUMENTS

D812,900 S \* 3/2018 Votel ..... D3/228  
2009/0145789 A1\* 6/2009 Panosian ..... B25H 3/00  
206/373

OTHER PUBLICATIONS

U.S. Appl. No. 29/659,104, filed Aug. 6, 2018, Giffin.  
International Search Report for International (PCT) Application No.  
PCT/US1996/19042, dated Jan. 31, 1997, 1 page.

\* cited by examiner

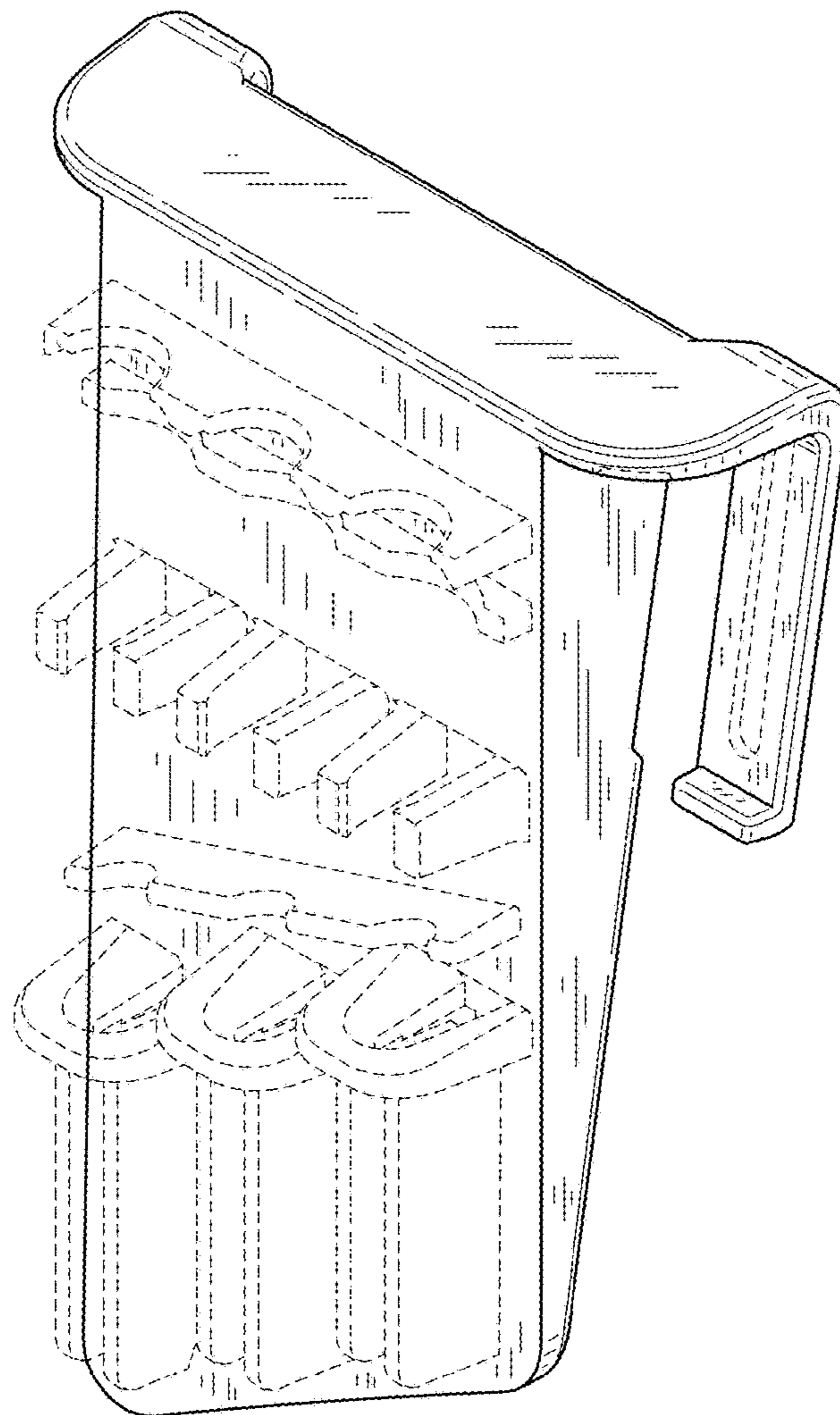


FIG.1

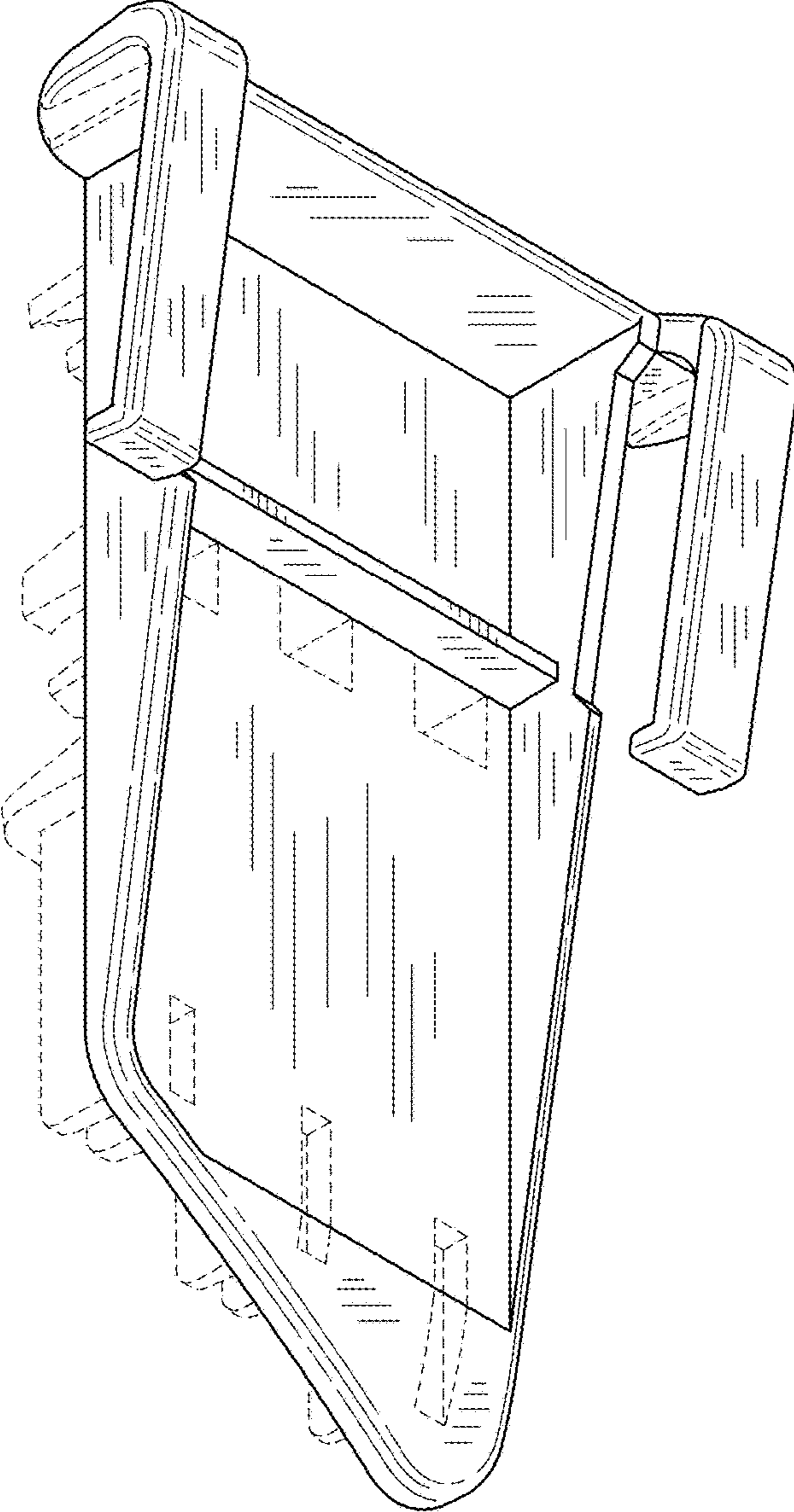


FIG.2

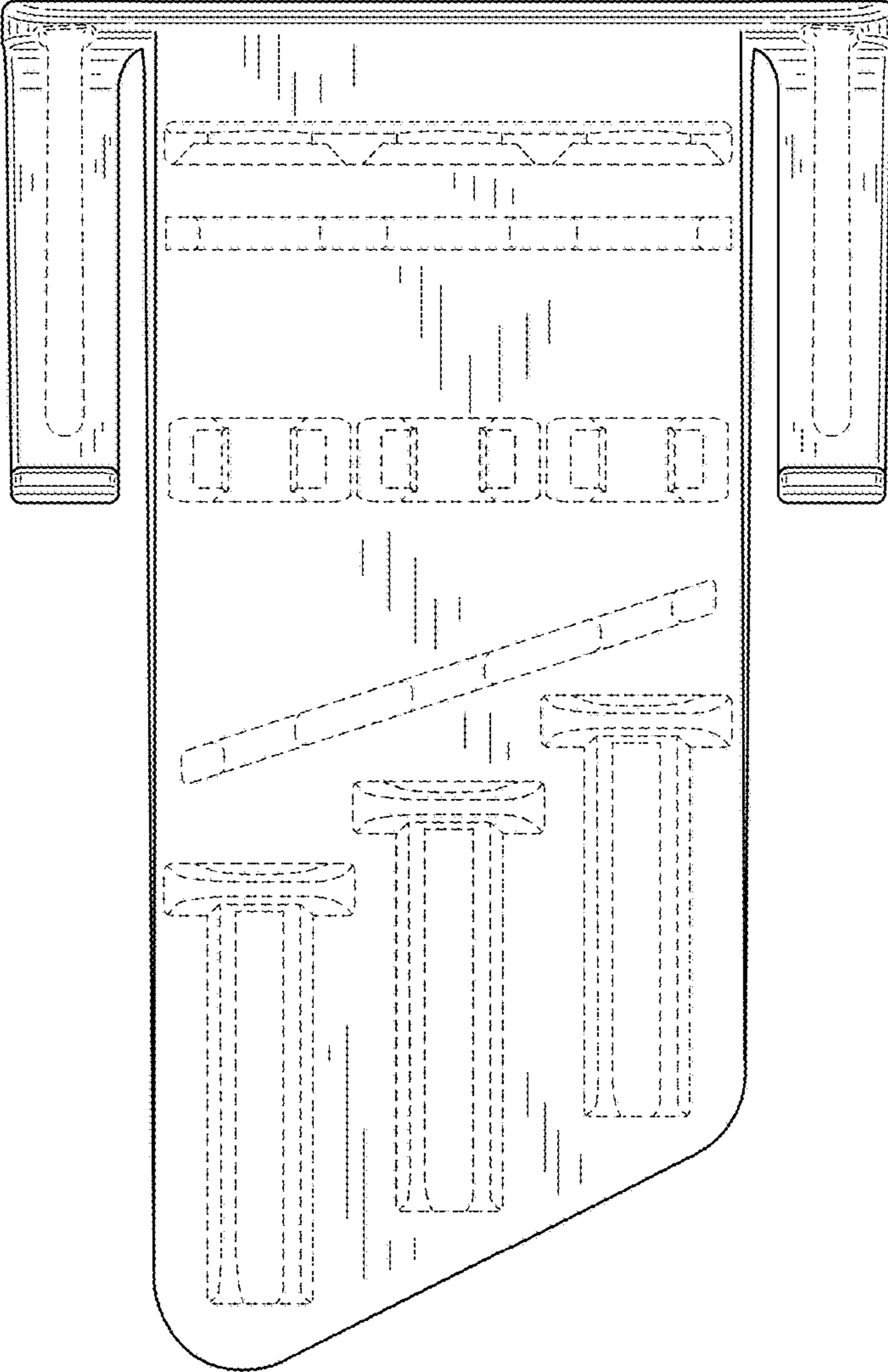


FIG.3



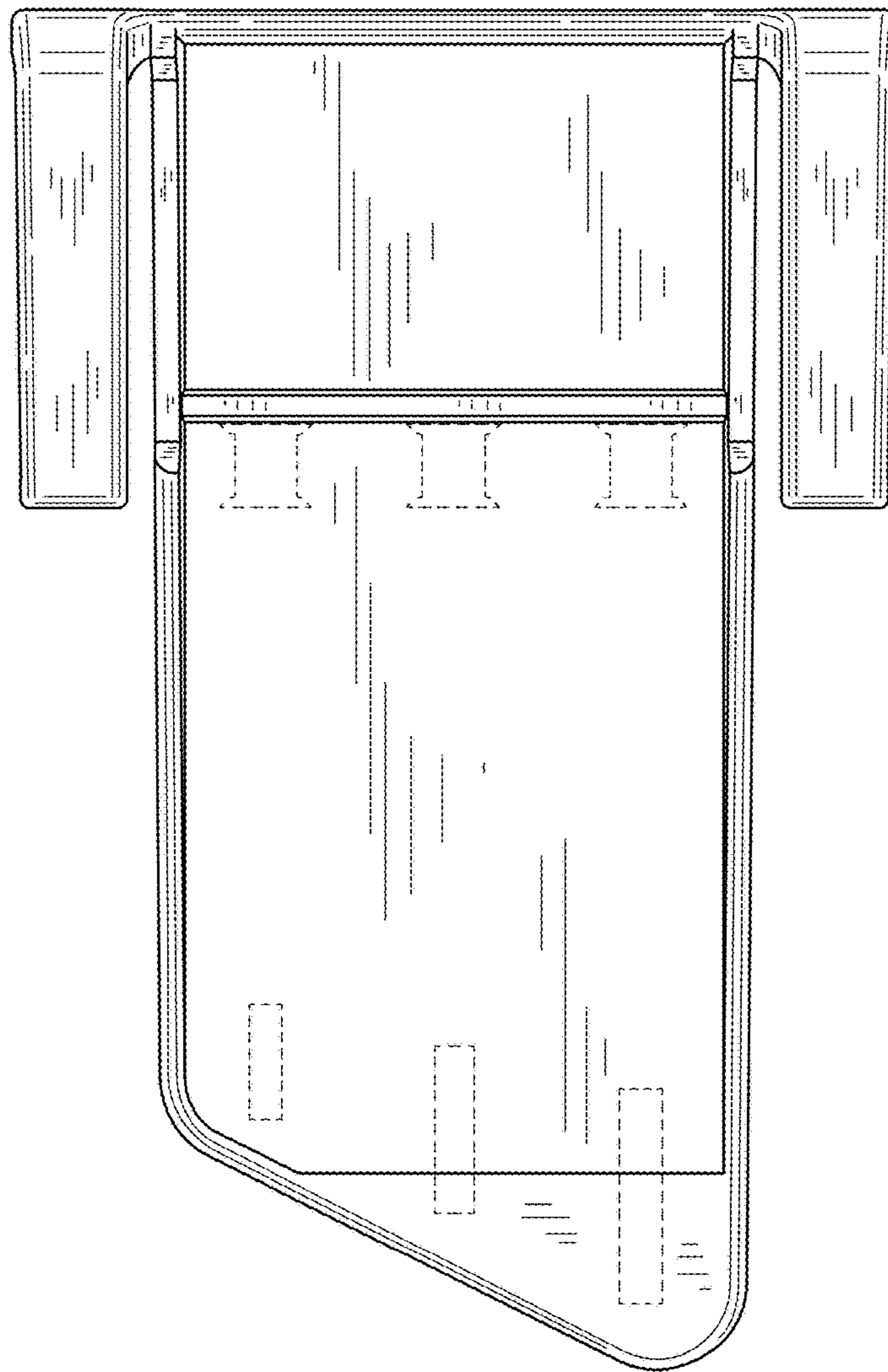


FIG.4

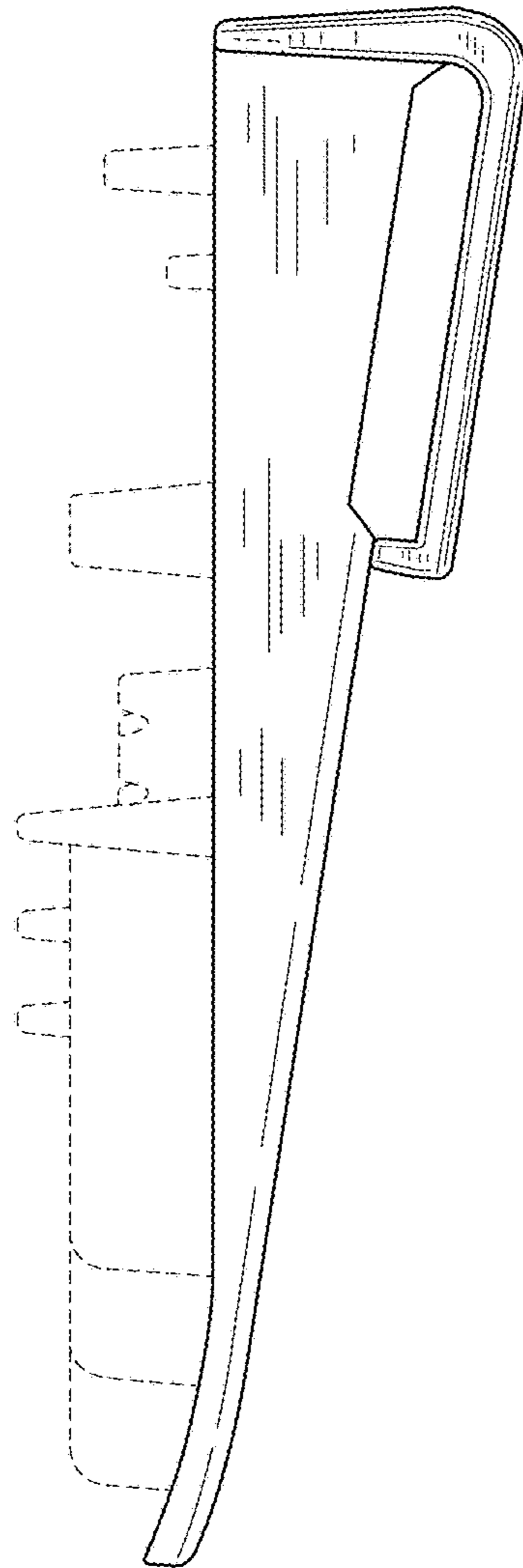


FIG.5

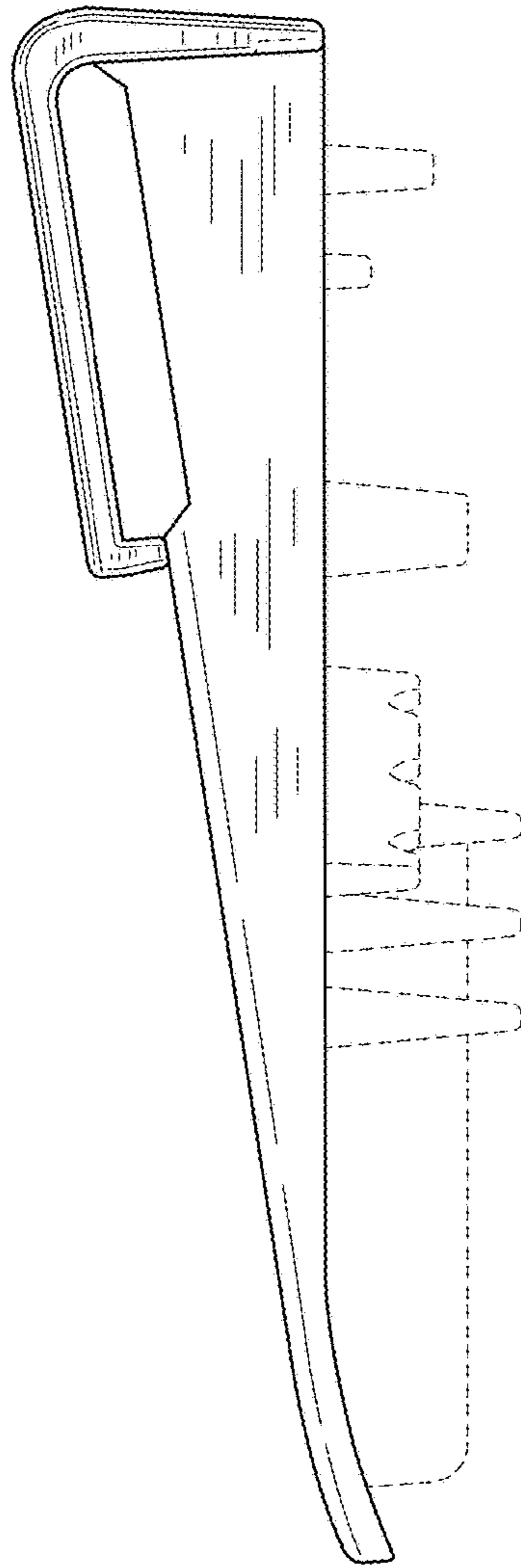


FIG.6



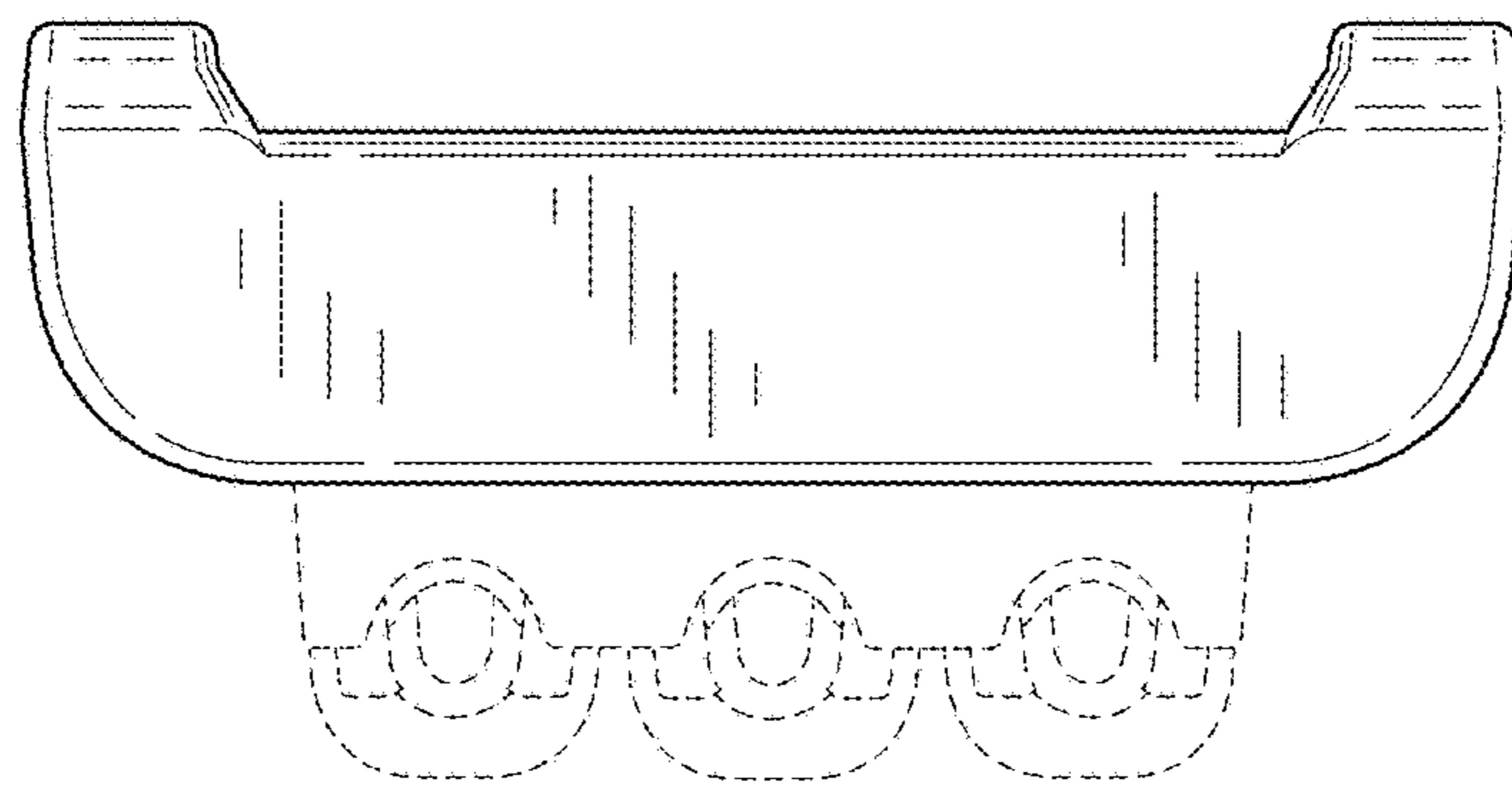


FIG.7

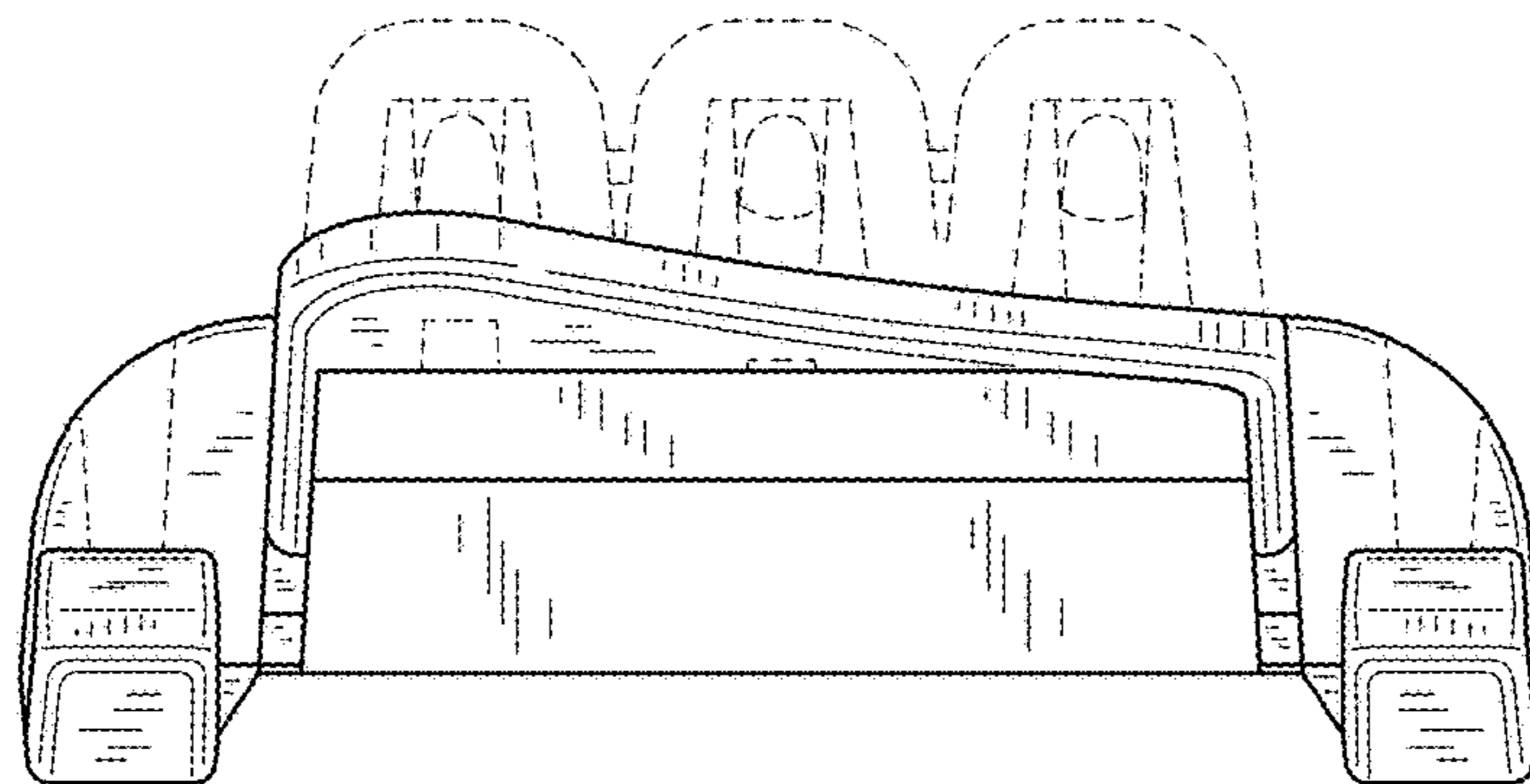


FIG.8