



US00D867752S

(12) **United States Design Patent** (10) **Patent No.:** **US D867,752 S**
de Jonge et al. (45) **Date of Patent:** **** Nov. 26, 2019**

(54) **HOLSTER**

(56) **References Cited**

(71) Applicant: **Butterfly Network, Inc.**, Guilford, CT (US)

U.S. PATENT DOCUMENTS

(72) Inventors: **Matthew de Jonge**, New York, NY (US); **Stephen Christopher**, Philadelphia, PA (US)

D313,507 S	1/1991	Sawyer
D388,955 S	1/1998	Markiewicz
D420,216 S	2/2000	Birkbeck
D533,343 S	12/2006	Gringer
D541,933 S	5/2007	White et al.
8,056,715 B2	11/2011	Conklin
D762,058 S	7/2016	Moore
D789,681 S	6/2017	Grisamore
D823,596 S	7/2018	Grisamore
2015/0032002 A1	1/2015	Rothberg et al.
2017/0360397 A1	12/2017	Rothberg et al.

(73) Assignee: **Butterfly Network, Inc.**, Guilford, CT (US)

(**) Term: **15 Years**

Primary Examiner — Catherine R Oliver-Garcia
(74) *Attorney, Agent, or Firm* — Wolf, Greenfield & Sacks, P.C.

(21) Appl. No.: **29/676,992**

(22) Filed: **Jan. 16, 2019**

(57) **CLAIM**

The ornamental design for a holster, as shown and described.

Related U.S. Application Data

DESCRIPTION

(62) Division of application No. 29/631,757, filed on Jan. 2, 2018, now Pat. No. Des. 846,269.

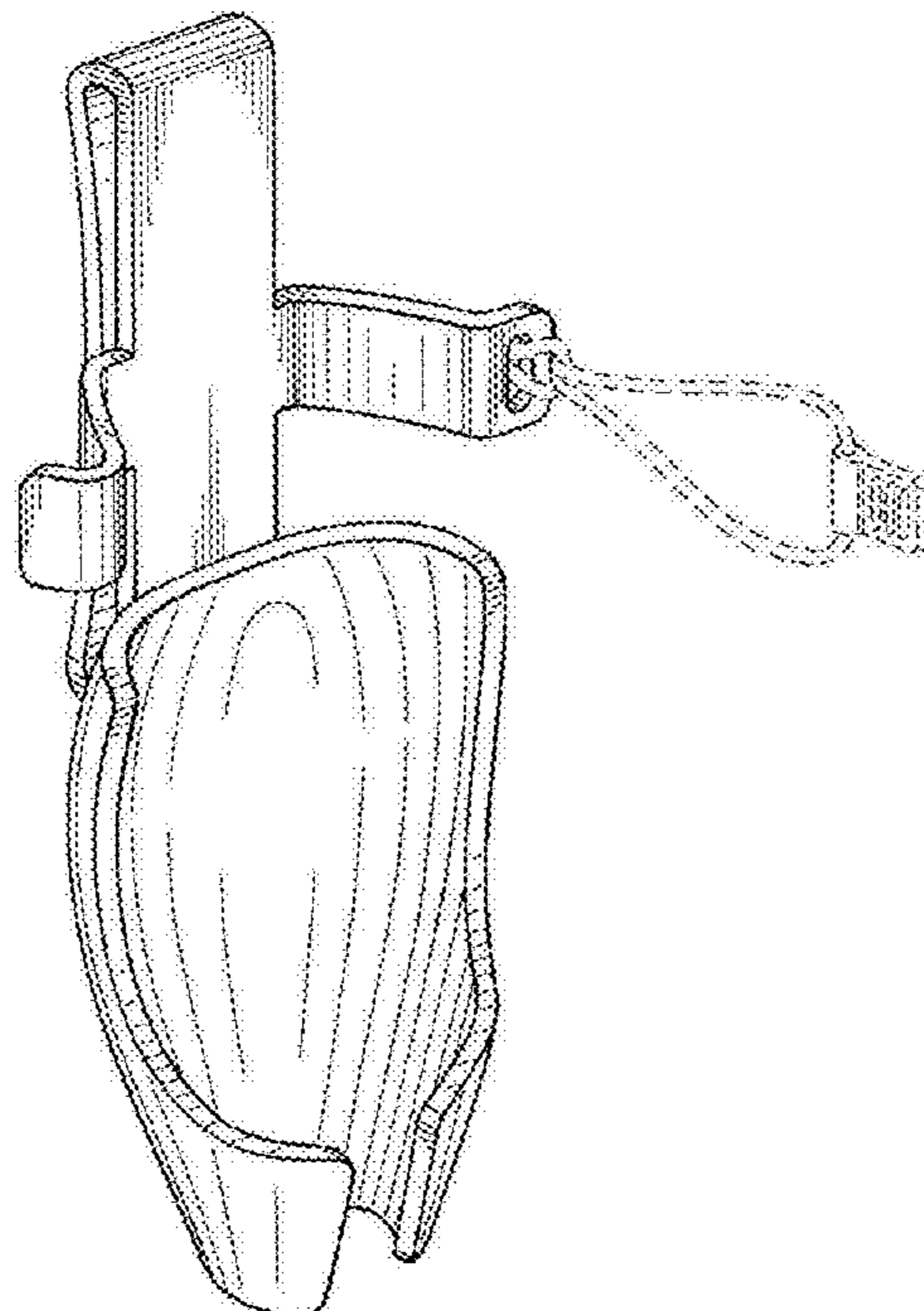
(51) **LOC (12) Cl.** **03-01**

(52) **U.S. Cl.**
USPC **D3/222**

(58) **Field of Classification Search**
USPC D3/215, 228, 203.5; D24/128; 224/240, 224/245, 251, 349, 673, 676-677, 904
CPC ... A45F 5/00; A45F 5/02; A45F 5/021; B25H 3/00; B25H 3/002
See application file for complete search history.

FIG. 1 is a top, front and left side perspective view of a holster according to our new design; FIG. 2 is a front elevation view thereof; FIG. 3 is a rear elevation view thereof; FIG. 4 is a left side elevation view thereof; FIG. 5 is a right side elevation view thereof; FIG. 6 is a top plan view thereof; and, FIG. 7 is a bottom plan view thereof. The broken lines illustrate portions of the holster that form no part of the claimed design.

1 Claim, 6 Drawing Sheets



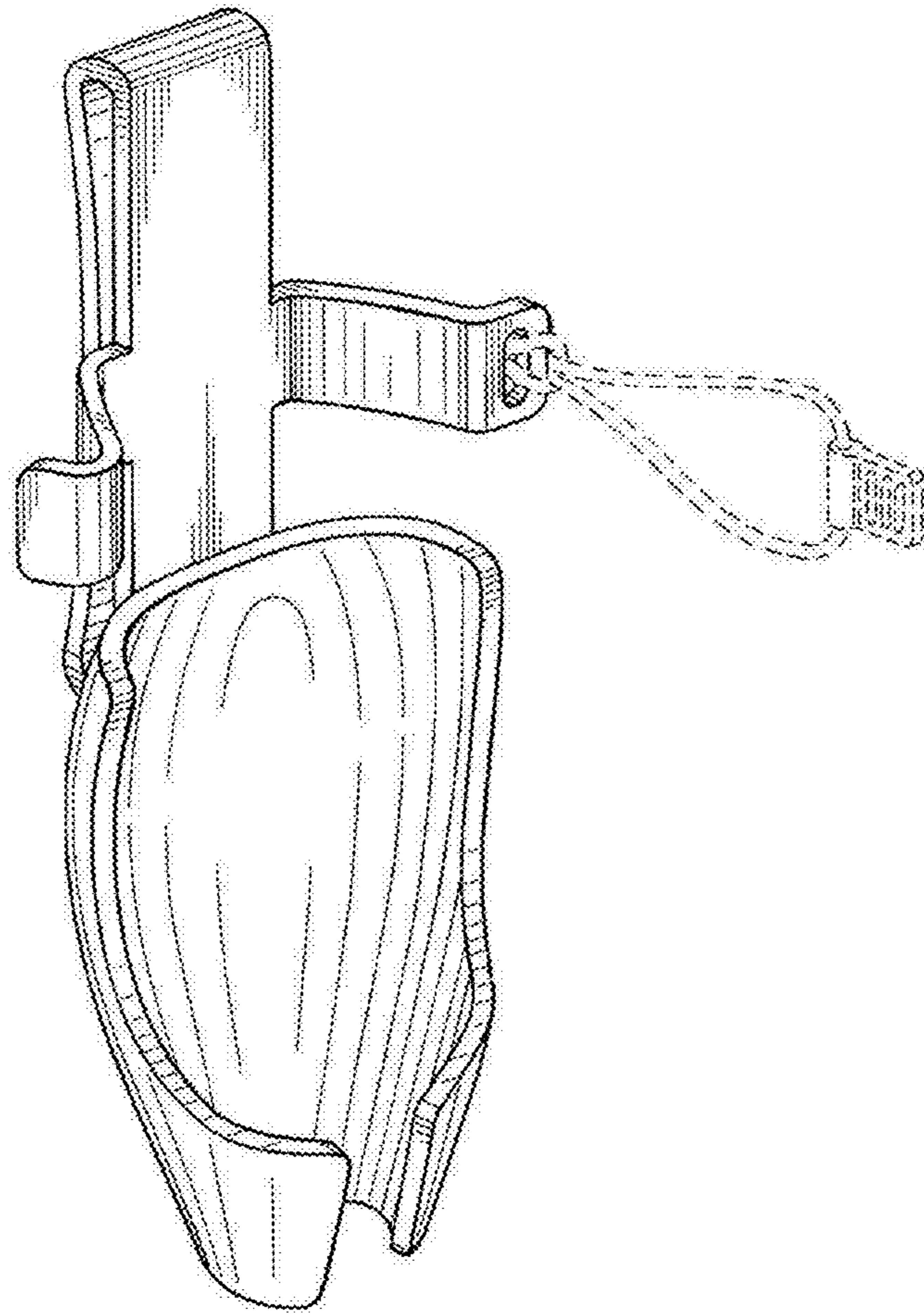


FIG. 1

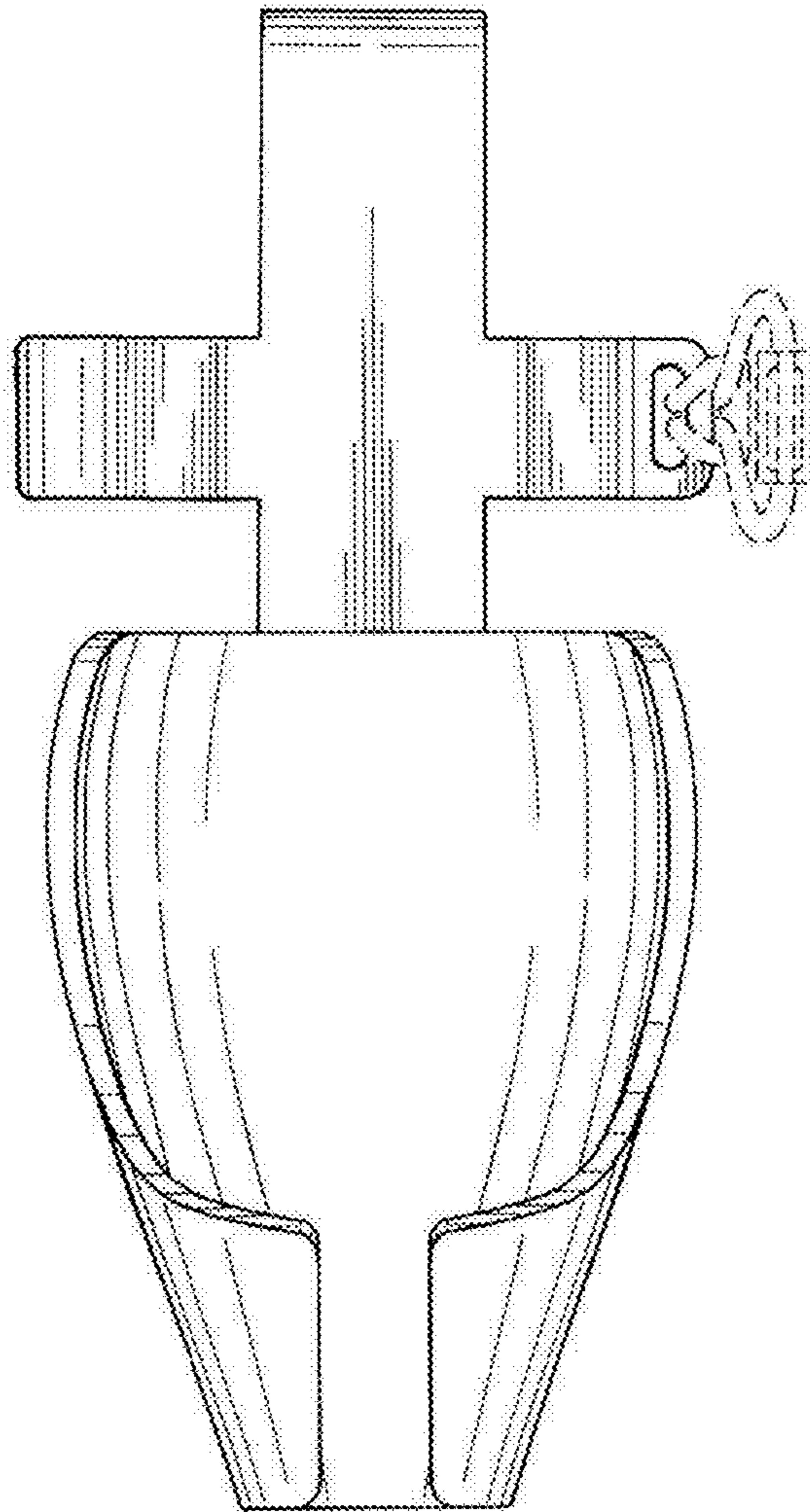


FIG. 2

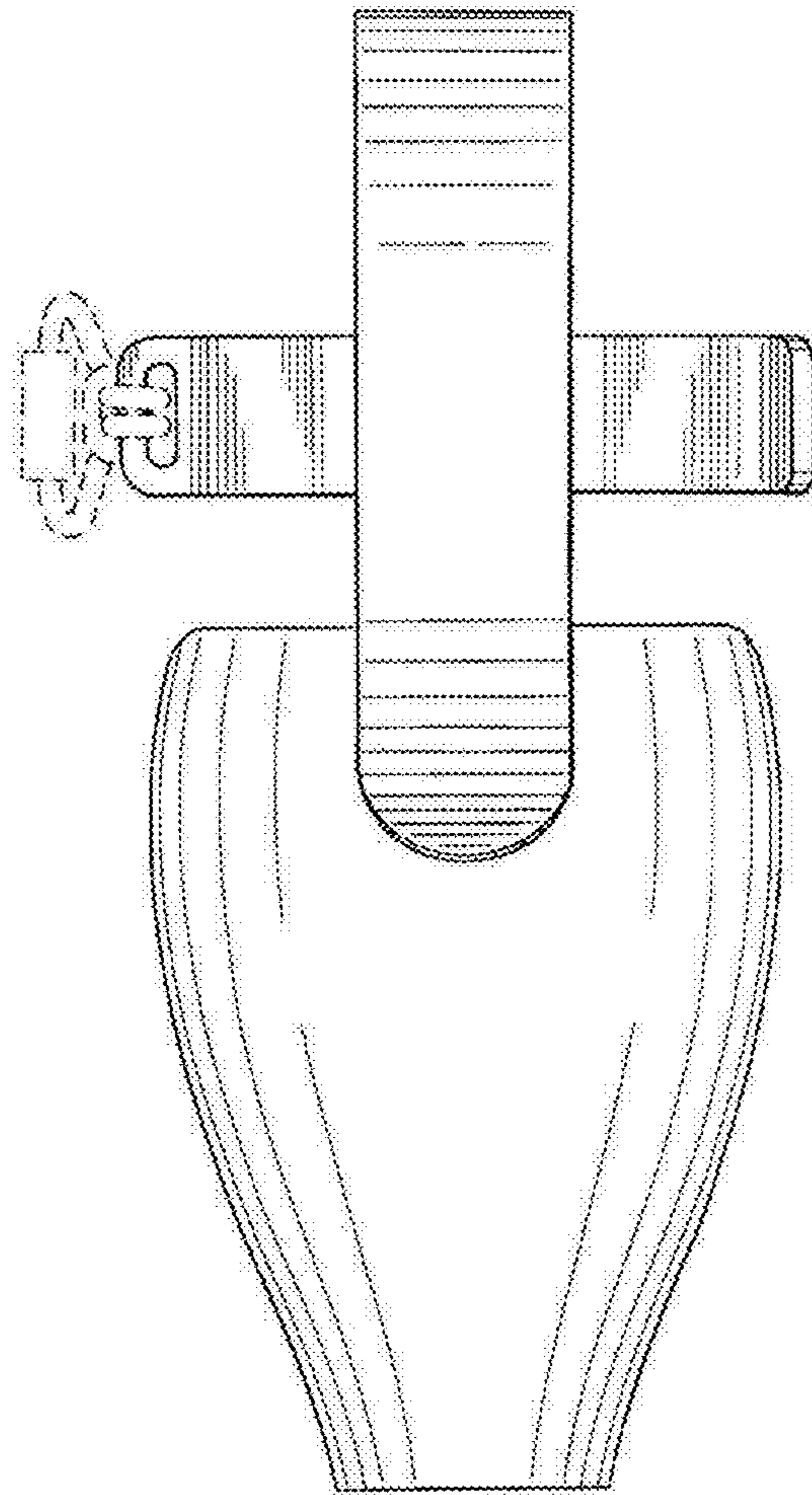


FIG. 3

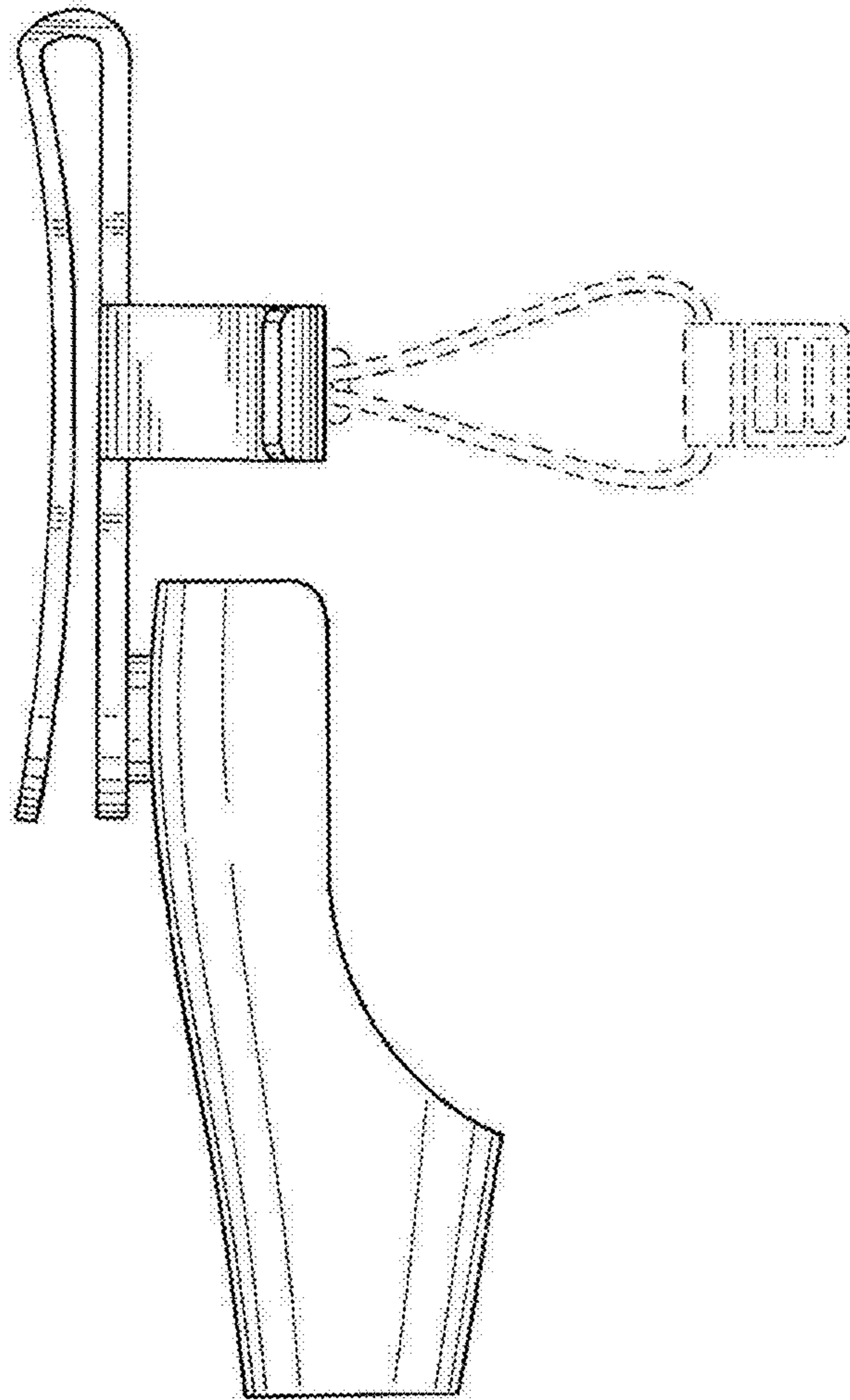


FIG. 4

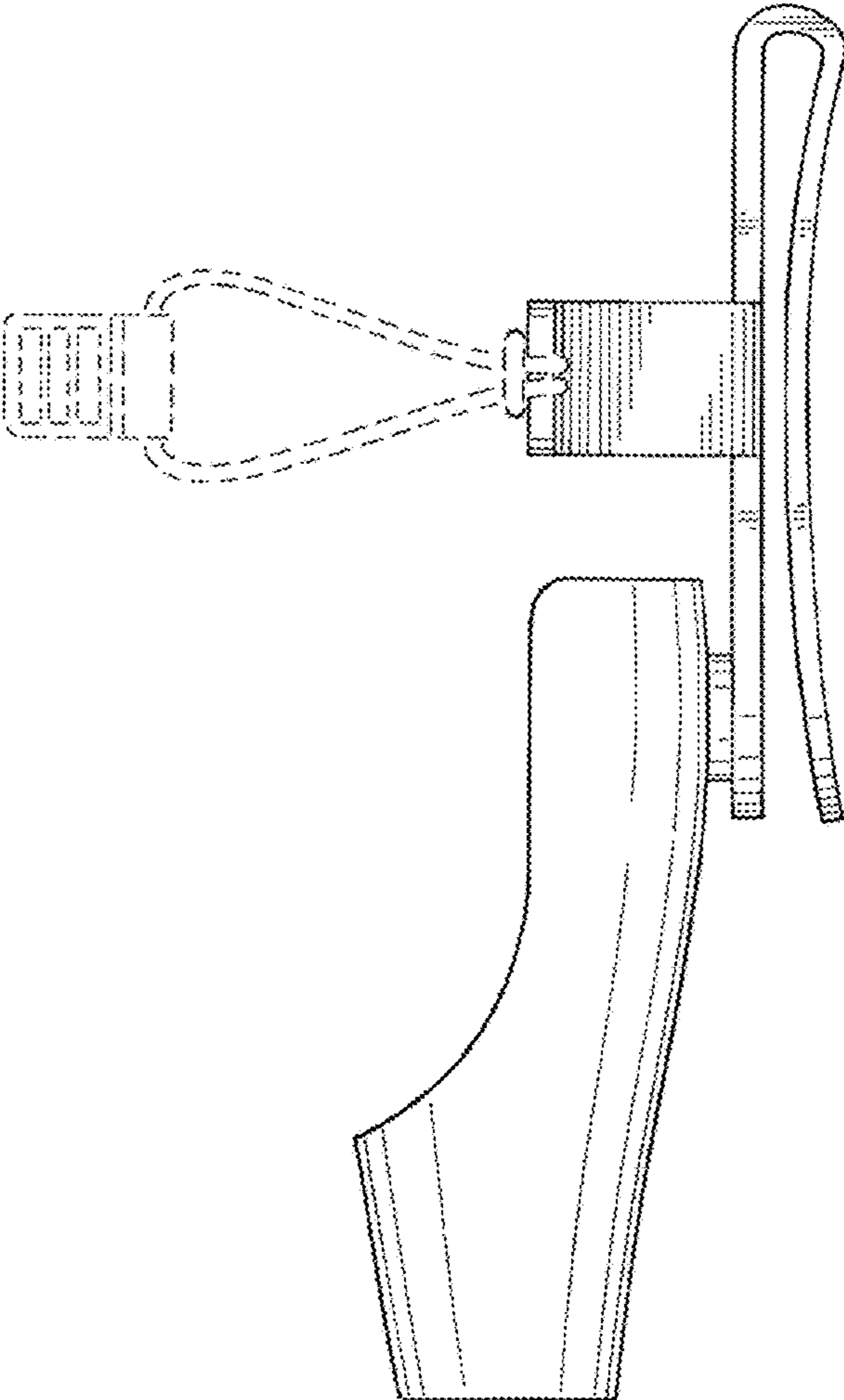


FIG. 5

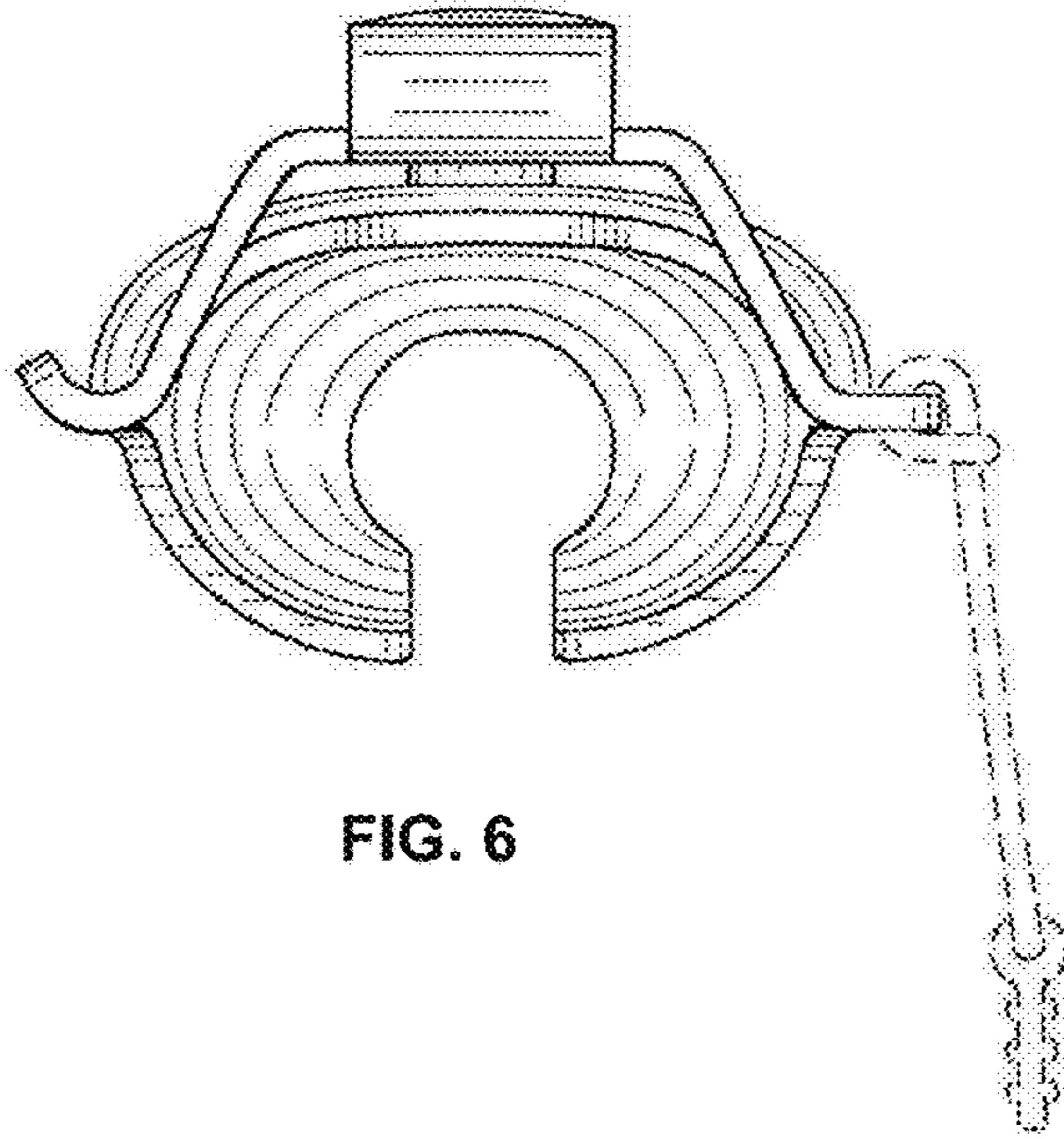


FIG. 6

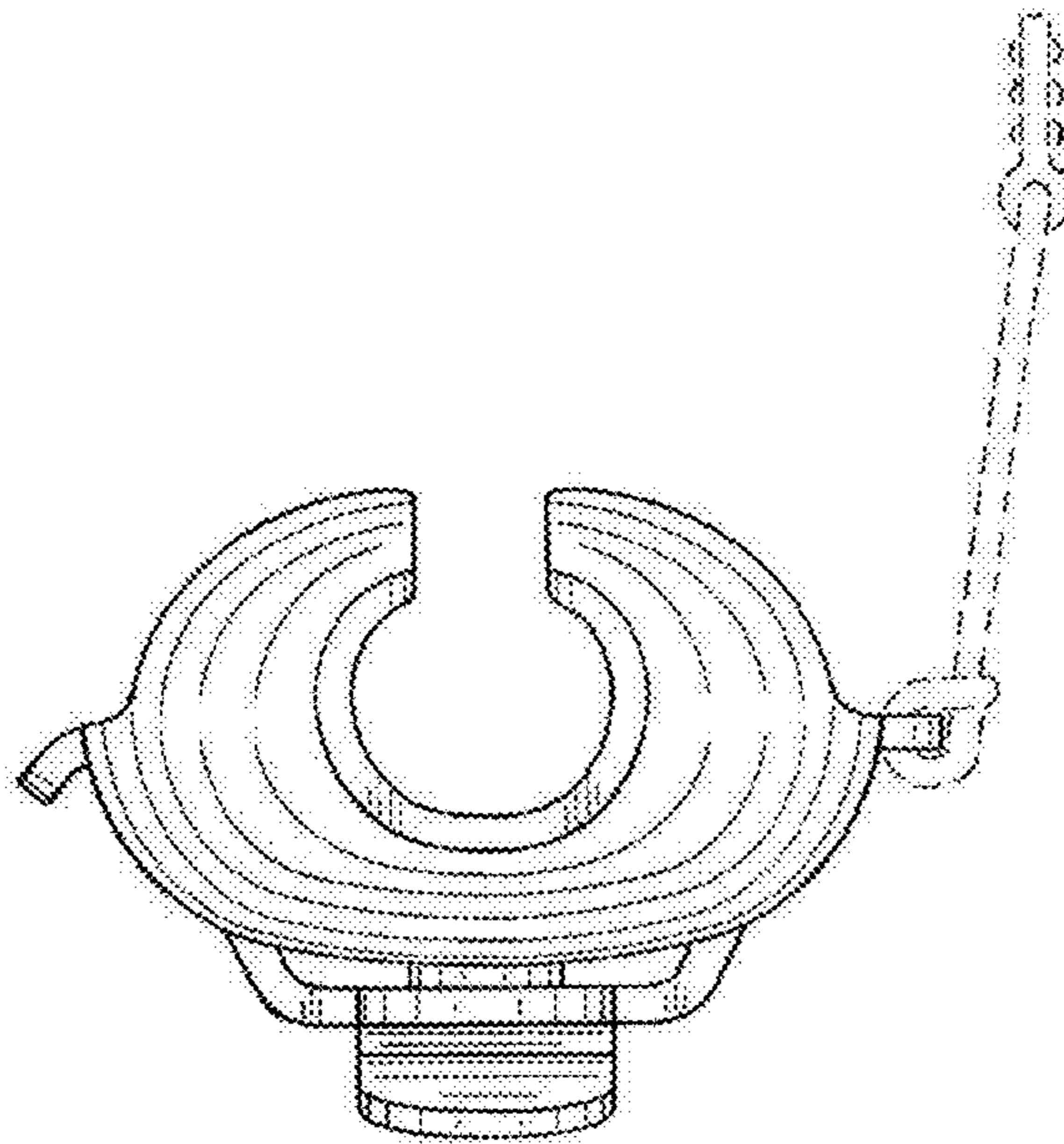


FIG. 7