



US00D867751S

(12) **United States Design Patent** (10) **Patent No.:** **US D867,751 S**  
**Seip** (45) **Date of Patent:** **\*\* Nov. 26, 2019**

(54) **BACKPACK**

(71) Applicant: **Skip Hop, Inc.**, New York, NY (US)

(72) Inventor: **Sierra Seip**, New York, NY (US)

(73) Assignee: **SKIP HOP, INC.**, New York, NY (US)

(\*\*) Term: **15 Years**

(21) Appl. No.: **29/670,167**

(22) Filed: **Nov. 14, 2018**

(51) **LOC (12) Cl.** ..... **03-01**

(52) **U.S. Cl.**  
USPC ..... **D3/217**

(58) **Field of Classification Search**  
USPC ..... D3/216, 217  
CPC ..... A45F 3/04; A45F 4/02  
See application file for complete search history.

(56) **References Cited**

**U.S. PATENT DOCUMENTS**

6,095,389	A *	8/2000	Fenton	.....	A45F 3/04
					224/259
D457,307	S *	5/2002	Pukall	.....	D3/216
D758,717	S *	6/2016	Joo	.....	D3/232
D847,501	S *	5/2019	Carter	.....	D3/245
D851,393	S *	6/2019	Carter	.....	D3/217

\* cited by examiner

*Primary Examiner* — Jennifer L Watkins

(74) *Attorney, Agent, or Firm* — Stephen J. Weyer, Esq.;  
Stites & Harbison, PLLC

(57) **CLAIM**

The ornamental design for a backpack, as shown and described.

**DESCRIPTION**

FIG. 1 is a perspective view taken from the front, left side, and top side of the backpack of the present design, shown with its top opening in a closed position, in accordance with the present design.

FIG. 2 is another perspective view taken from the front, left side, and top side of the backpack of FIG. 1, shown with its top opening in an open position, in accordance with an aspect the present design.

FIG. 3 is a front elevation view of the backpack of FIG. 1.

FIG. 4 is a rear elevation view of the backpack of FIG. 1.

FIG. 5 is a left side elevation view of the backpack of FIG. 1.

FIG. 6 is a right side elevation view of the backpack of FIG. 1.

FIG. 7 is a top plan view of the backpack of FIG. 1; and, FIG. 8 is a bottom plan view of the backpack of FIG. 1.

The dash-dash broken lines shown represent stitching and form part of the claimed design. Elements drawn in broken short/long dash lines are included for illustrating portions of the backpack, and form no part of the claimed design.

**1 Claim, 8 Drawing Sheets**





FIG. 1

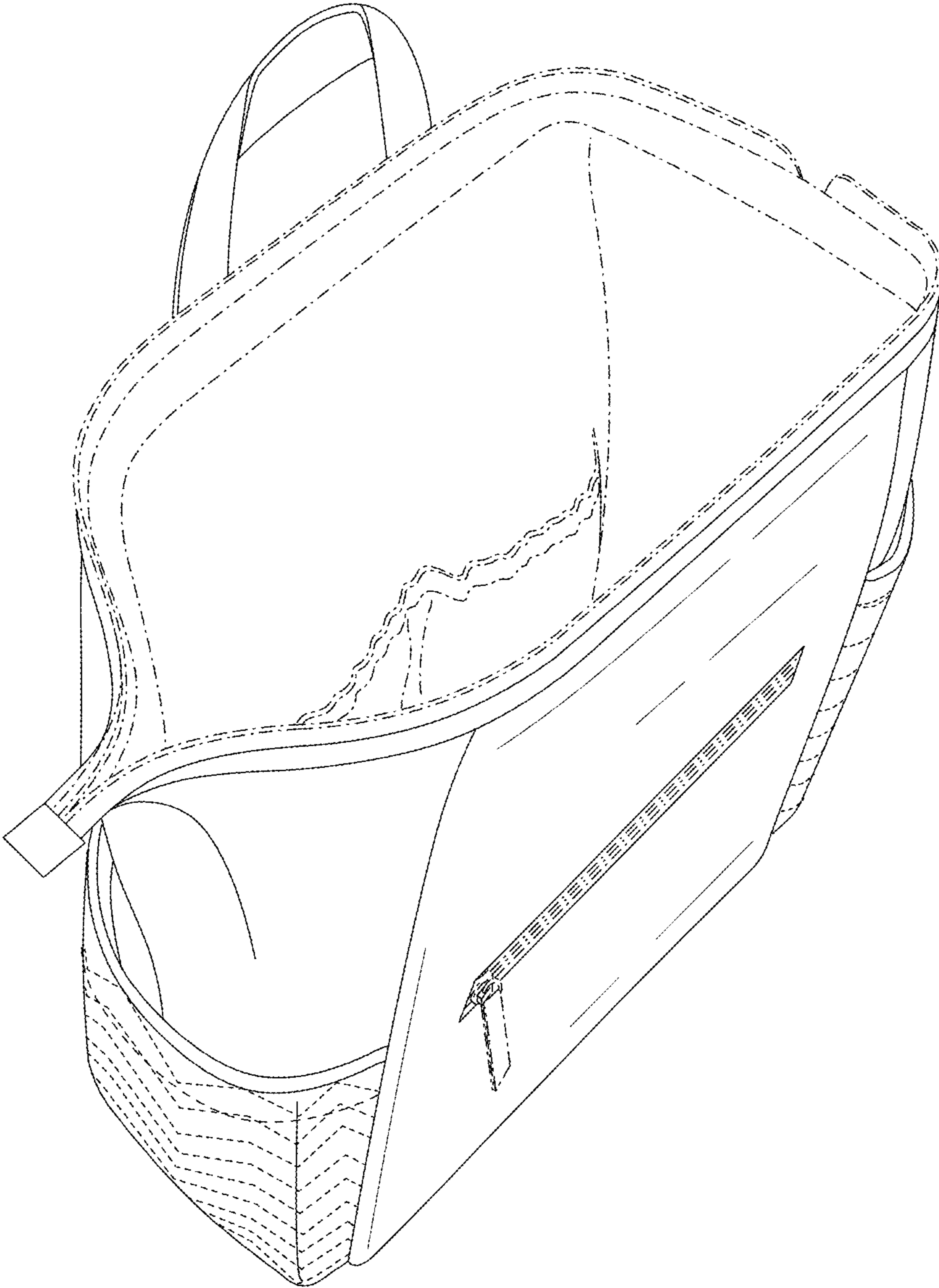


FIG. 2

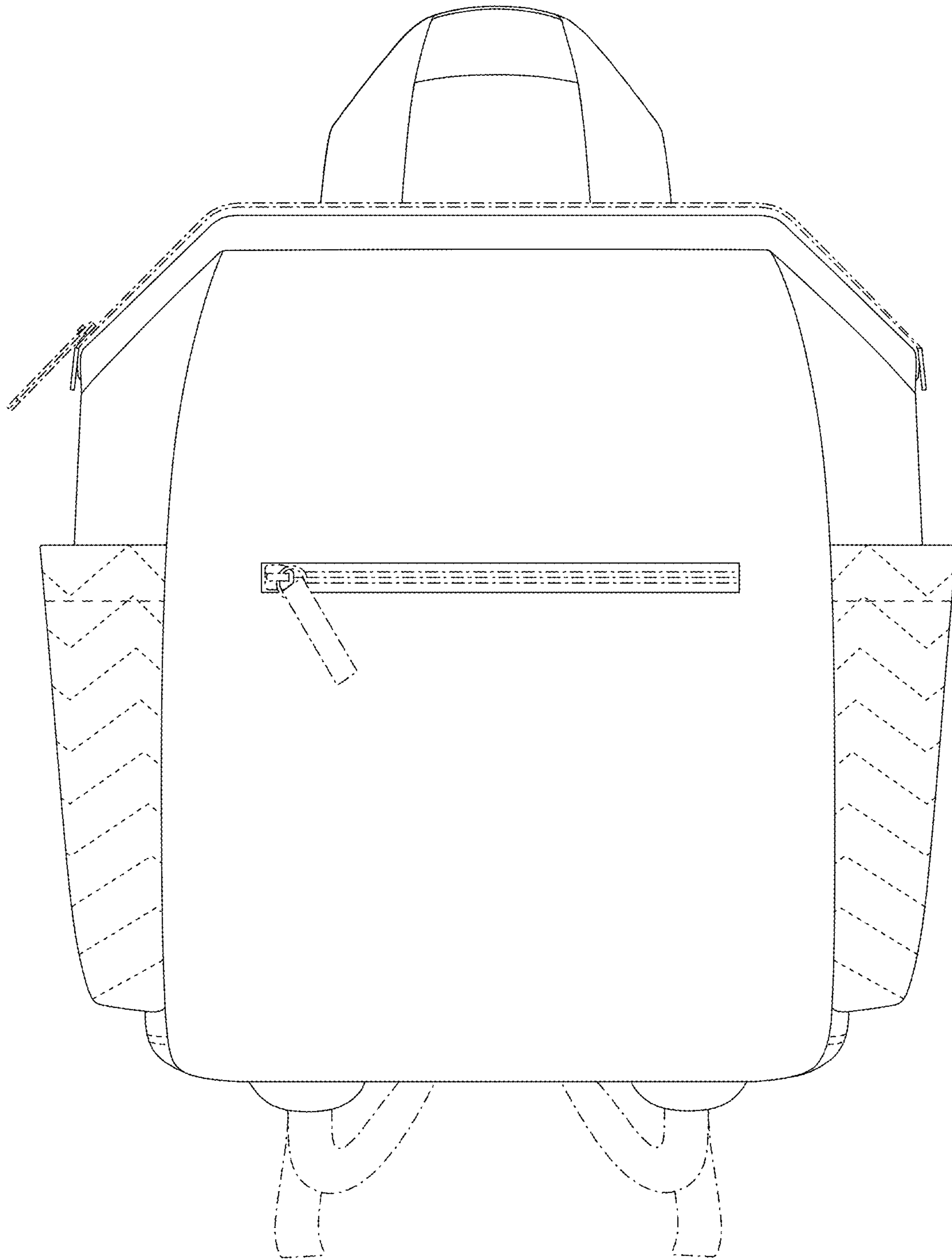


FIG. 3

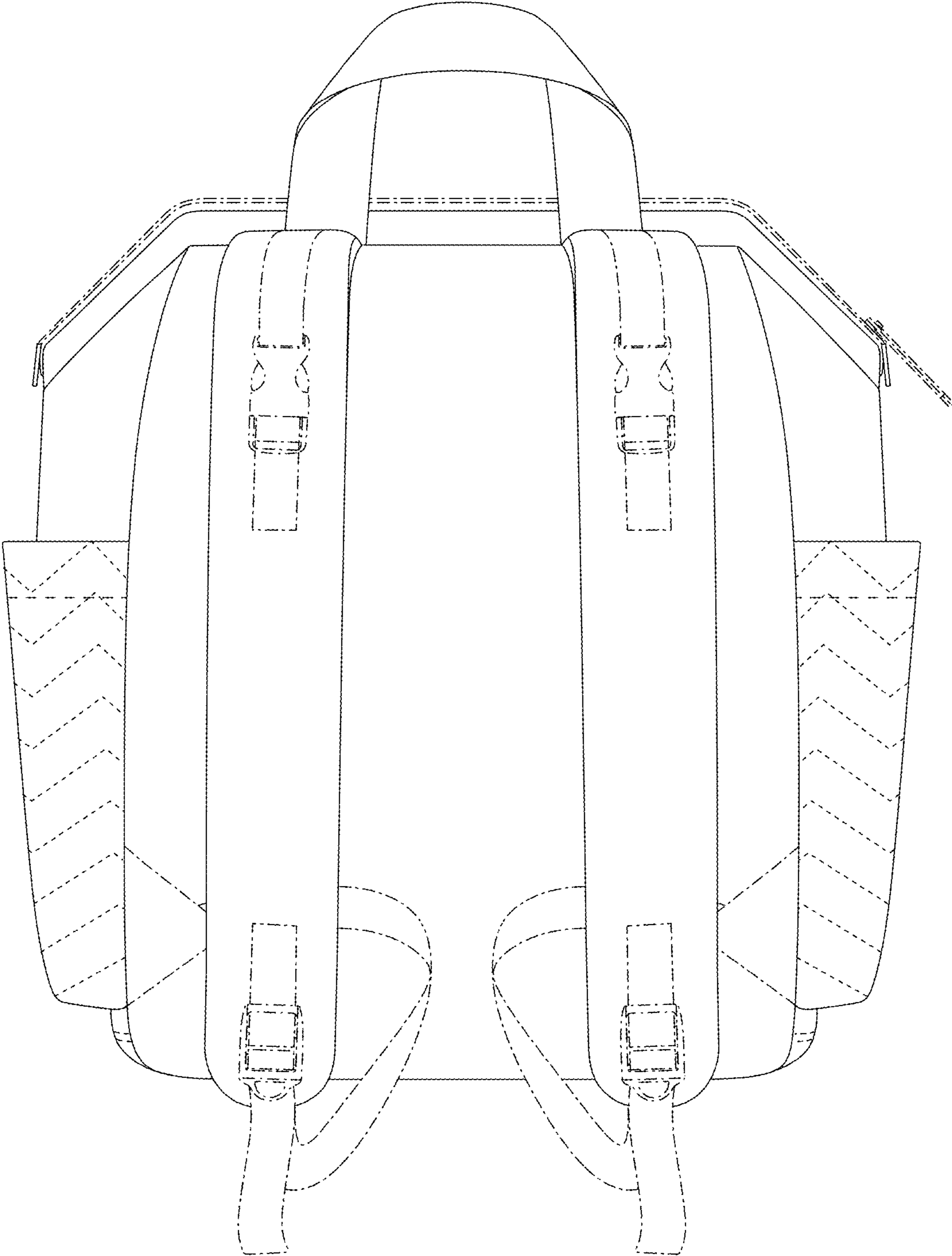


FIG. 4

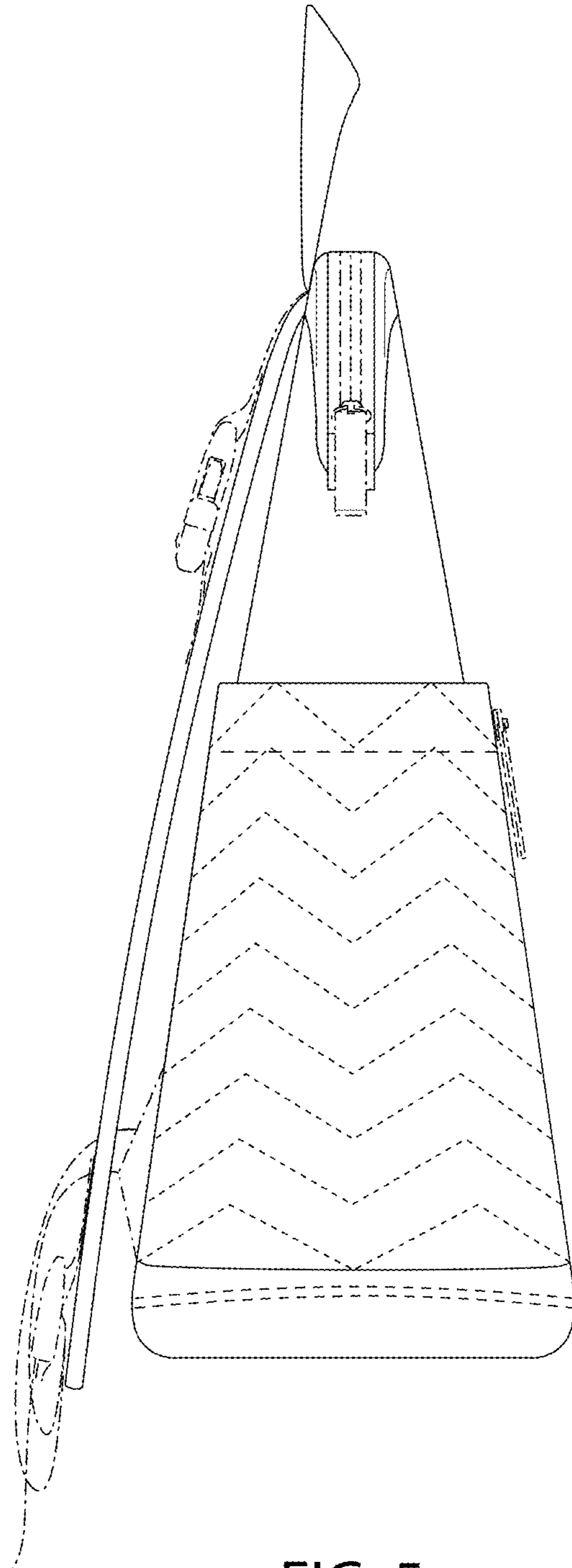


FIG. 5

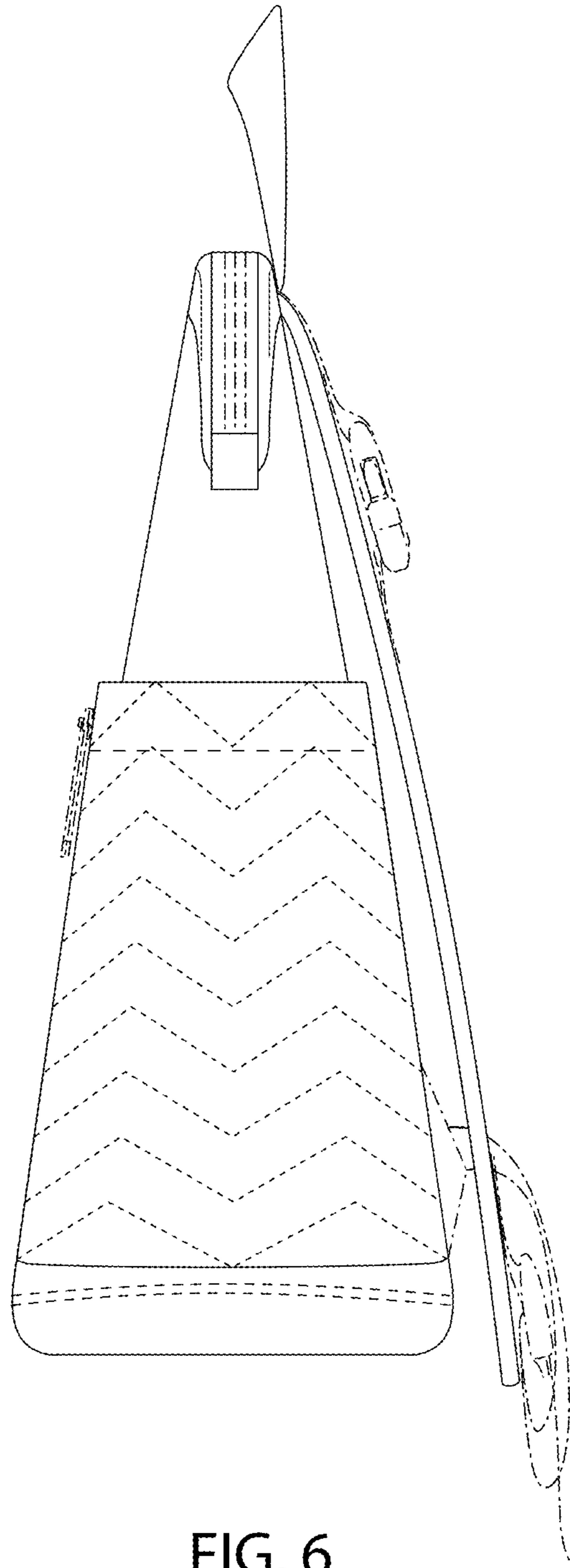


FIG. 6

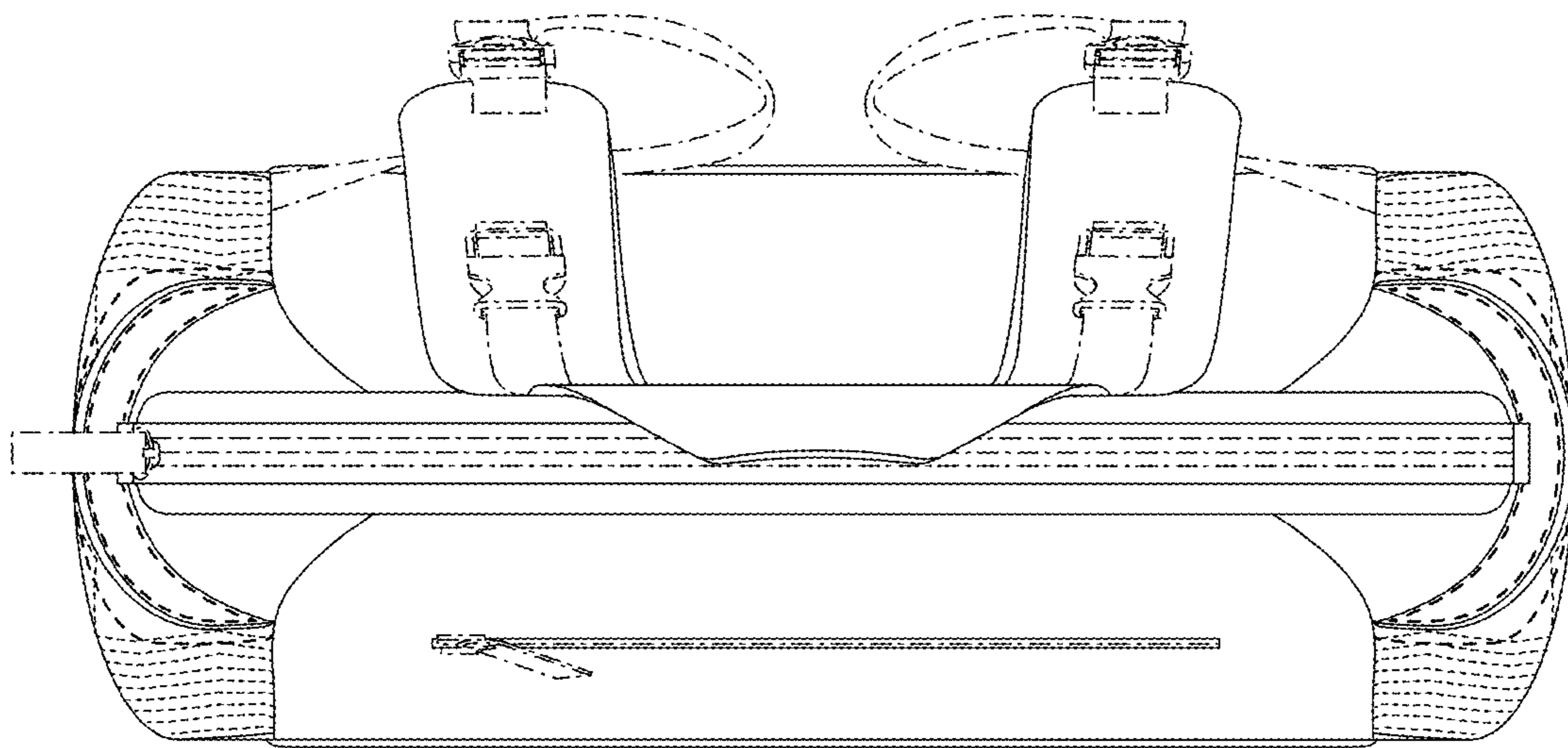


FIG. 7



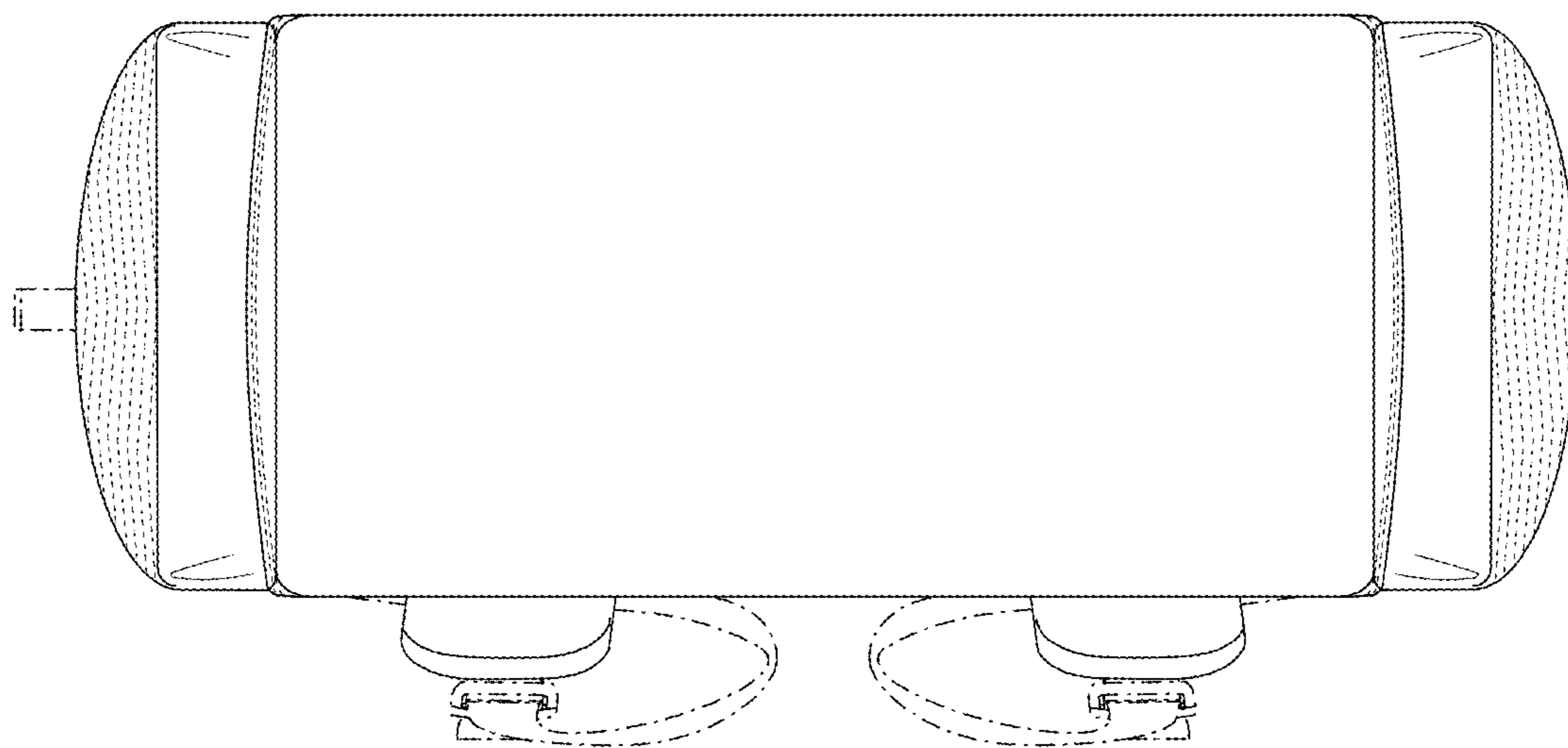


FIG. 8