



US00D867750S

(12) **United States Design Patent** (10) **Patent No.:** **US D867,750 S**
Warren (45) **Date of Patent:** **** Nov. 26, 2019**

(54) **BACKPACK**
(71) Applicant: **Herschel Supply Company Ltd.,**
Vancouver (CA)
(72) Inventor: **Jon Warren, Los Angeles, CA (US)**
(73) Assignee: **Herschel Supply Company Ltd.,**
Vancouver, British Columbia (CA)

(**) Term: **15 Years**
(21) Appl. No.: **29/667,485**

(22) Filed: **Oct. 22, 2018**
(51) **LOC (12) Cl.** **03-01**
(52) **U.S. Cl.**
USPC **D3/217**
(58) **Field of Classification Search**
USPC D3/201, 213–219, 221, 224, 225, 229,
D3/230, 232, 243–246, 254, 318
CPC A45F 3/04; A45F 4/02; A45F 2200/0525;
A45F 2003/045; A45C 11/00; A45C
13/30; A45C 2011/002; A45C 2011/003;
A45C 2011/001; A45C 15/00
See application file for complete search history.

(56) **References Cited**
U.S. PATENT DOCUMENTS

D249,594 S * 9/1978 Stewart D3/217
5,706,992 A * 1/1998 Moor A45F 3/04
190/102
D415,344 S * 10/1999 Leibowitz D3/216
D431,755 S * 10/2000 Worley D7/607
D699,431 S * 2/2014 Hock D3/216
D702,434 S * 4/2014 Chalk D3/216
D714,541 S * 10/2014 Anderson D3/217

D717,044 S * 11/2014 Sassi D3/243
D742,631 S * 11/2015 Kim D3/217
D771,373 S * 11/2016 Kim D3/217
D775,816 S * 1/2017 Slimane D3/217
D798,043 S * 9/2017 Sassi D3/217
2005/0194413 A1* 9/2005 Baker A45C 3/14
224/153
2012/0193385 A1* 8/2012 Pace A45C 9/00
224/577

OTHER PUBLICATIONS

Excerpts from Catalogues: <https://www.teenvogue.com/gallery/best-back-to-school-backpacks>, (Jun. 25, 2015), 55 pages.
Pages from Herschel Supply 2016—excerpt, (circa 2016), 5 pages.
Herschel Supply 2017.3 Classic excerpts. (circa 2017), 5 pages.

* cited by examiner

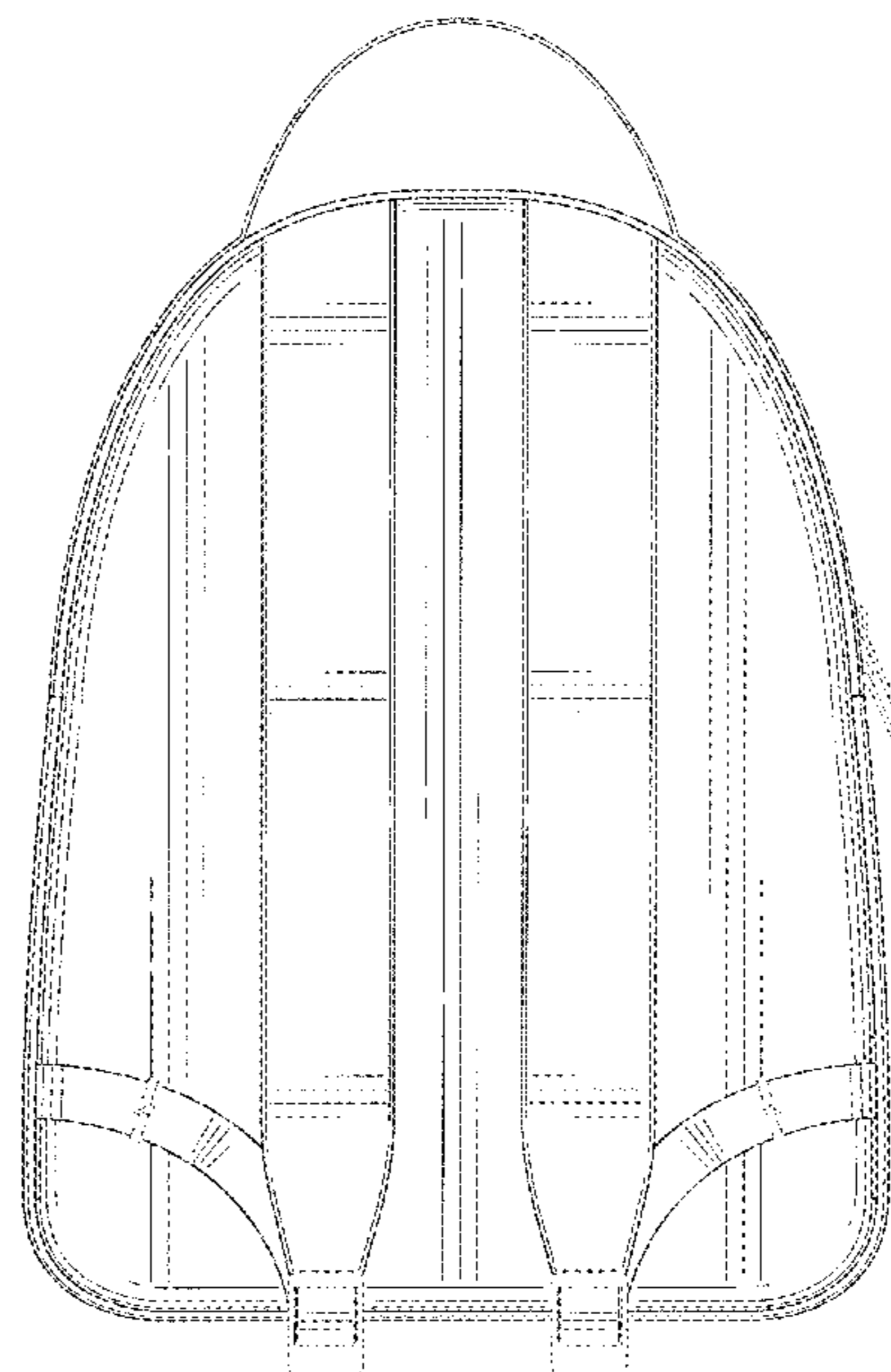
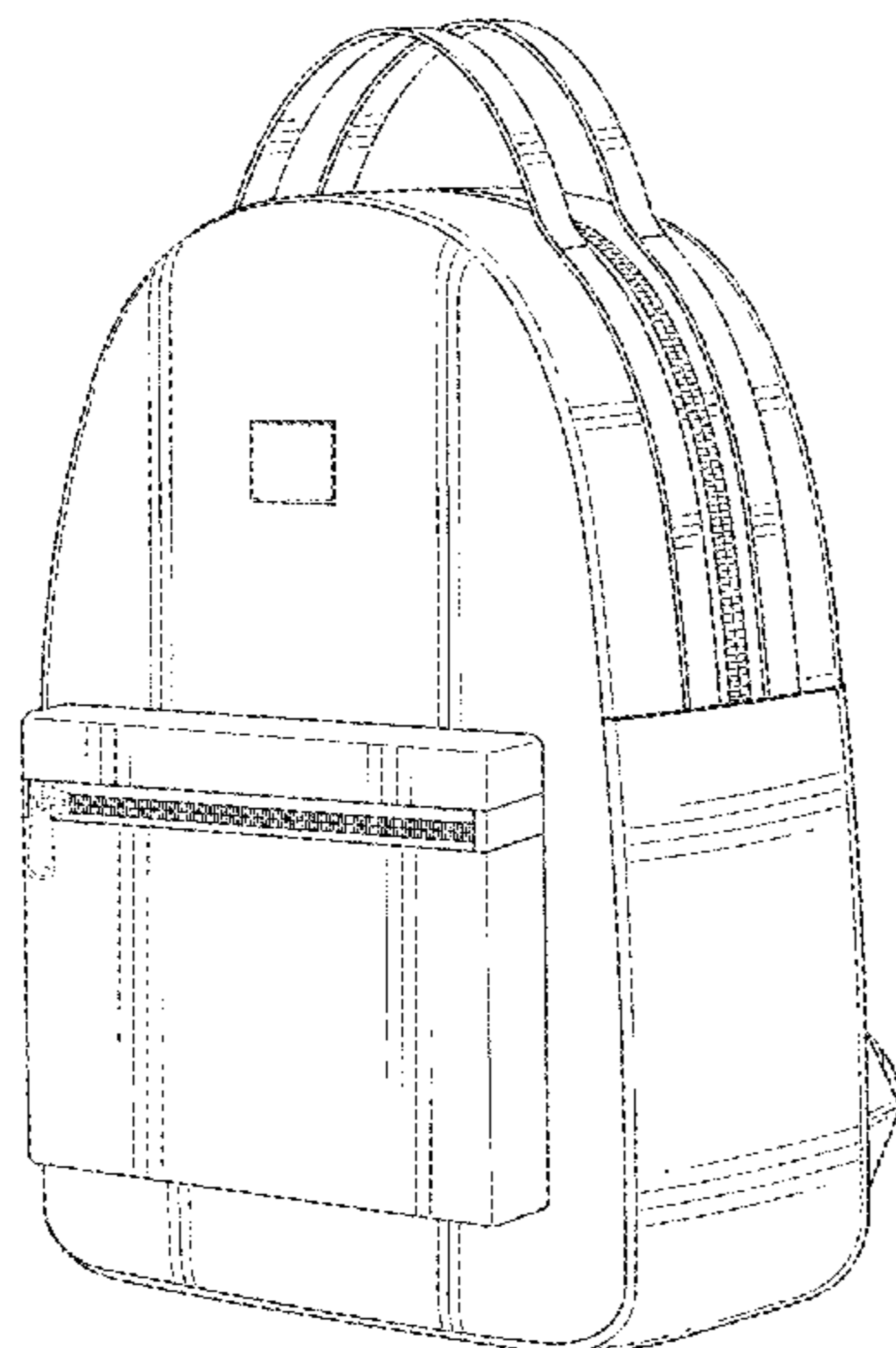
Primary Examiner — Jennifer L Watkins
(74) *Attorney, Agent, or Firm* — Sideman & Bancroft
LLP; Guy W. Chambers

(57) **CLAIM**
The ornamental design for a backpack, as shown and described.

DESCRIPTION

FIG. 1 is a perspective view of a backpack showing my new design;
FIG. 2 is a front view thereof;
FIG. 3 is a rear view thereof;
FIG. 4 is a left side view thereof;
FIG. 5 is a right side view thereof;
FIG. 6 is a top view thereof; and,
FIG. 7 is a bottom view thereof.
The broken lines are for environmental purposes only and form no part of the claimed design.

1 Claim, 7 Drawing Sheets



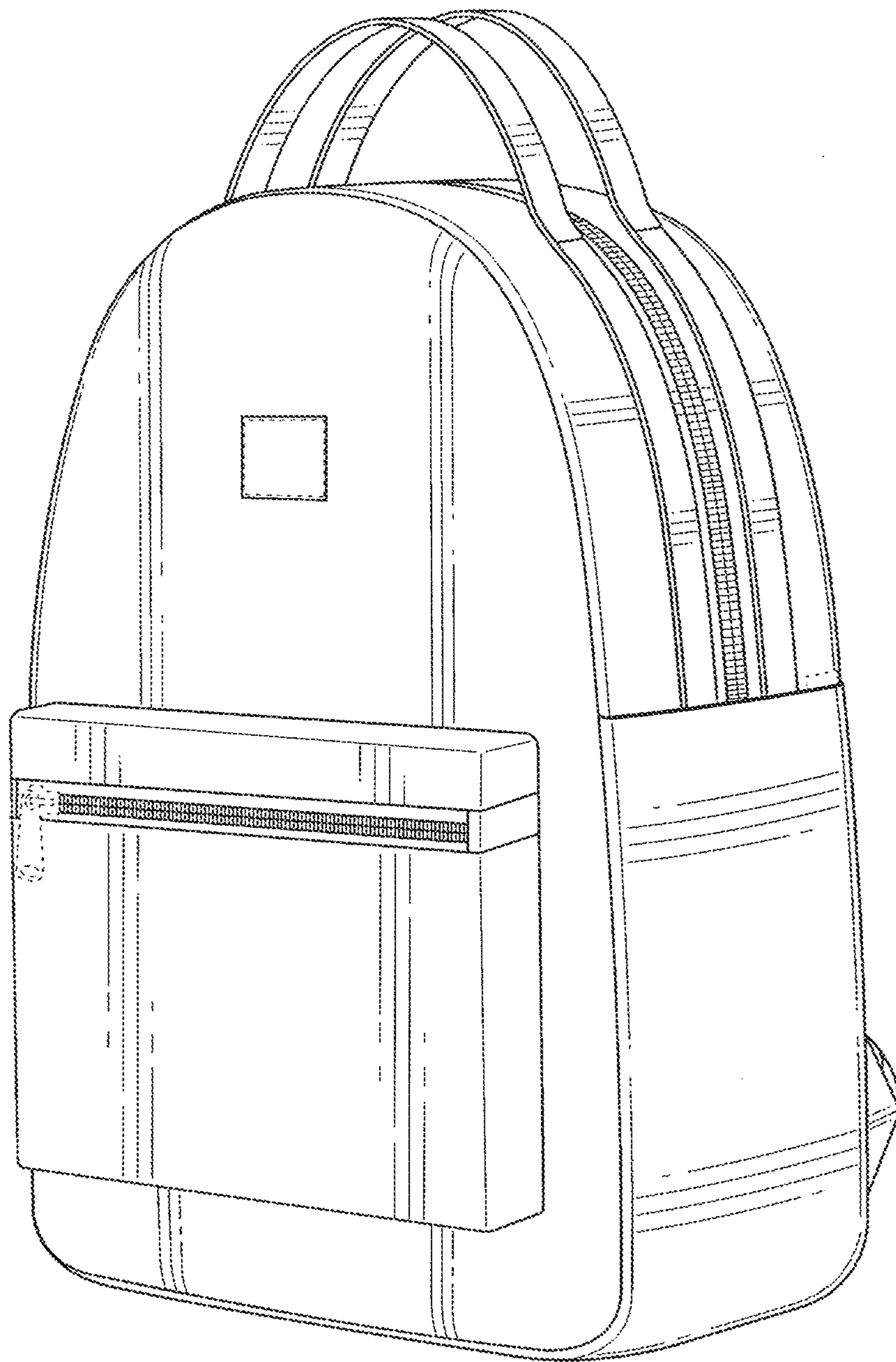


FIG. 1

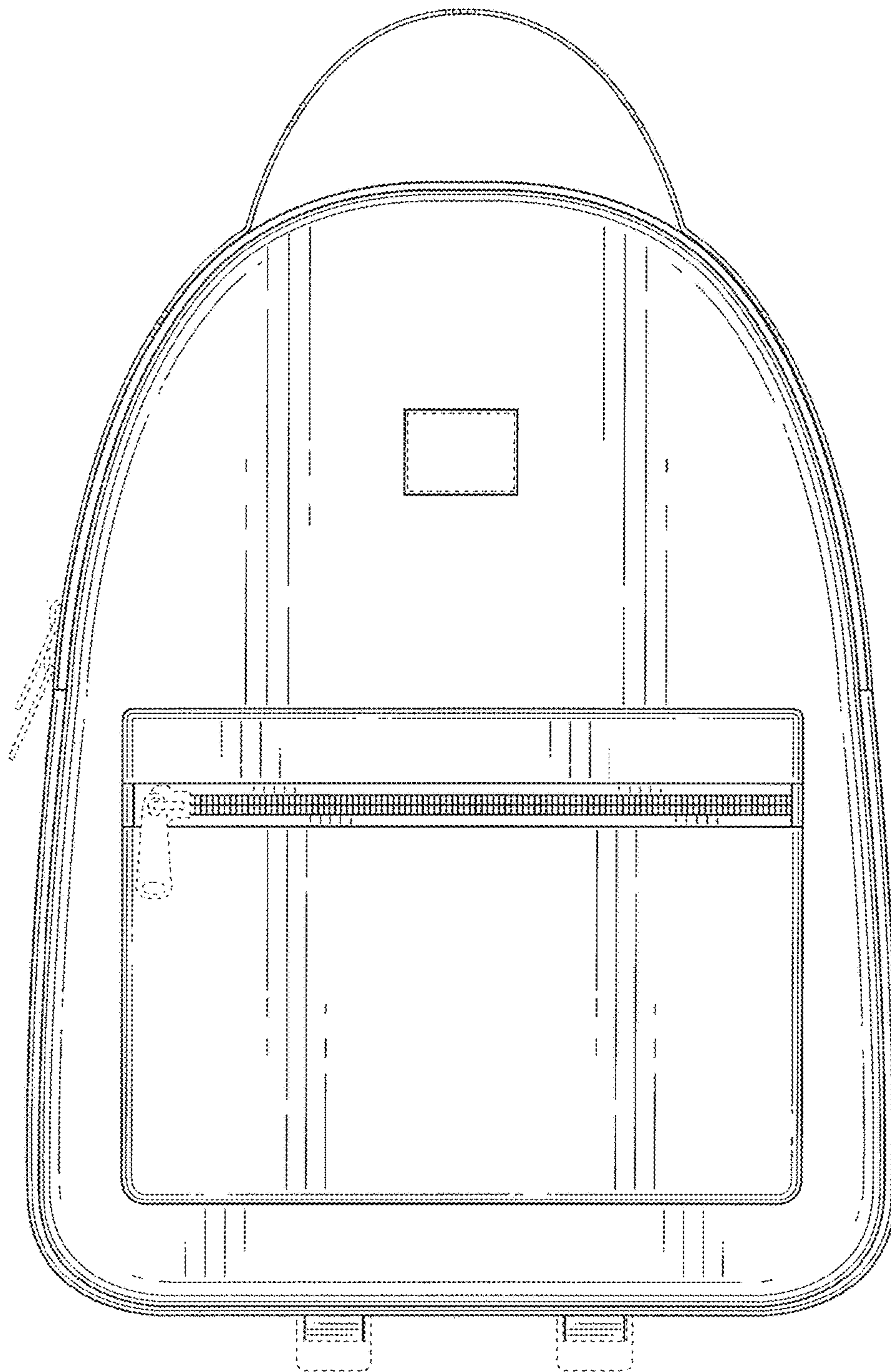


FIG. 2

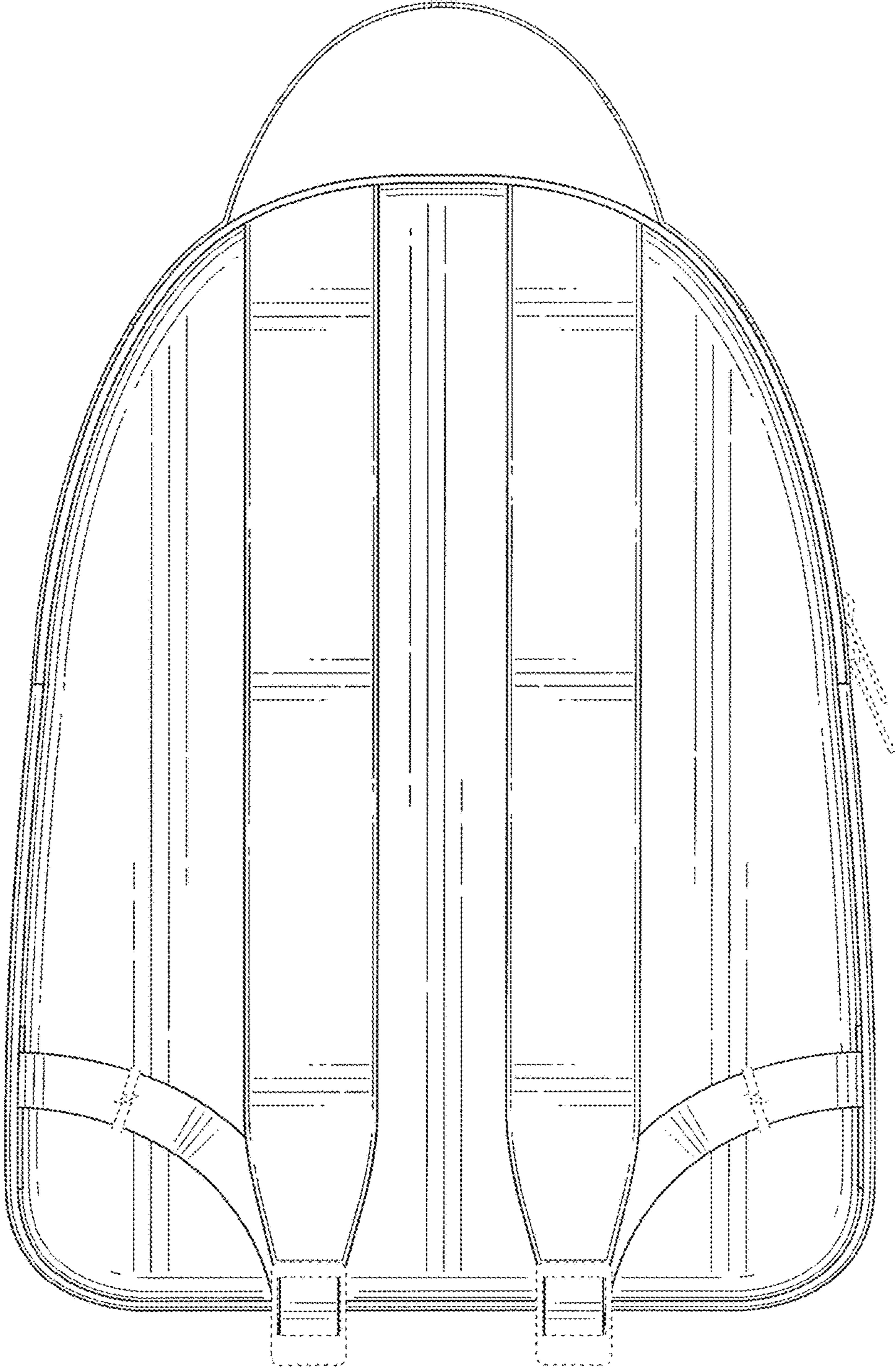


FIG. 3

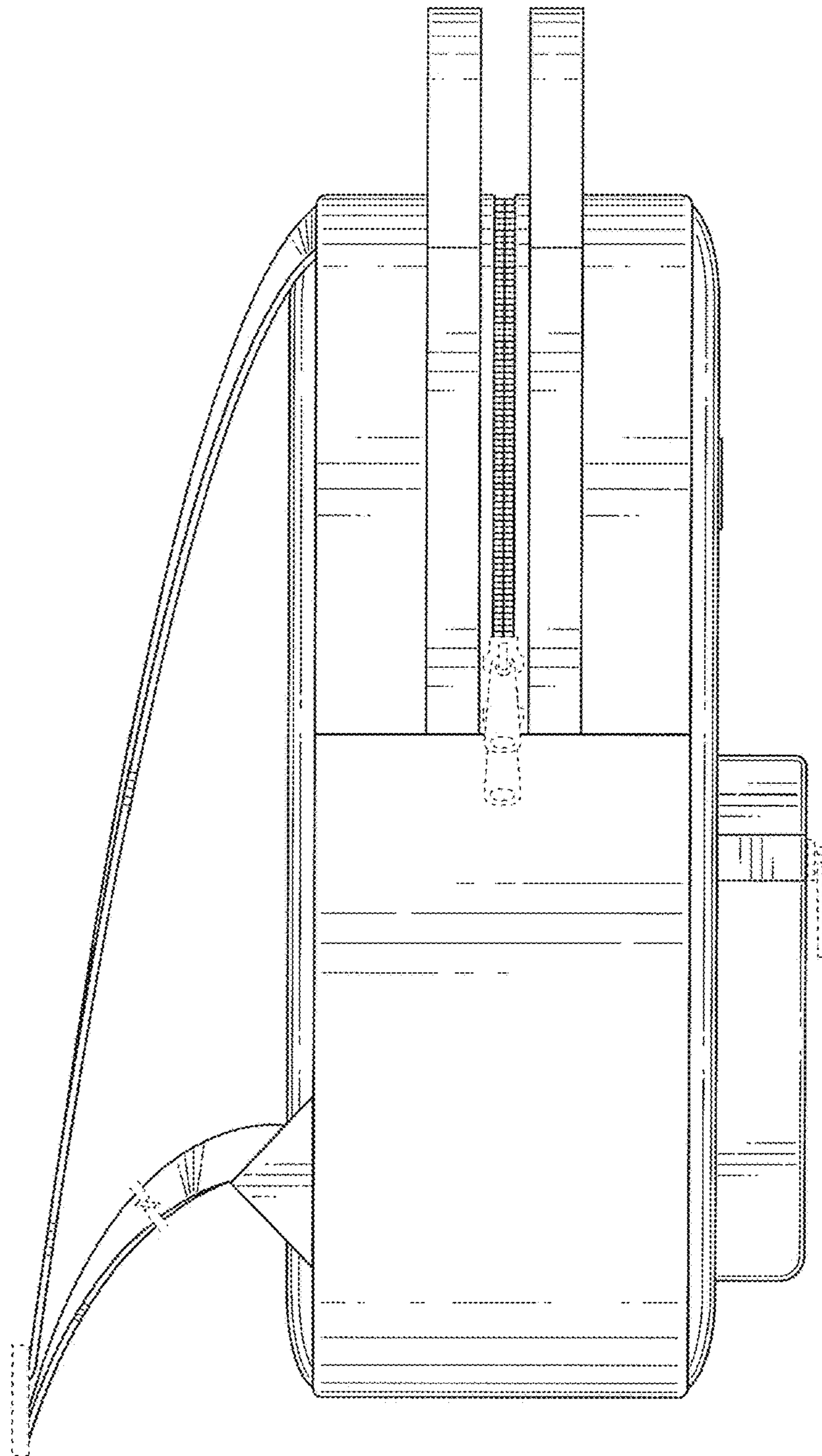


FIG. 4

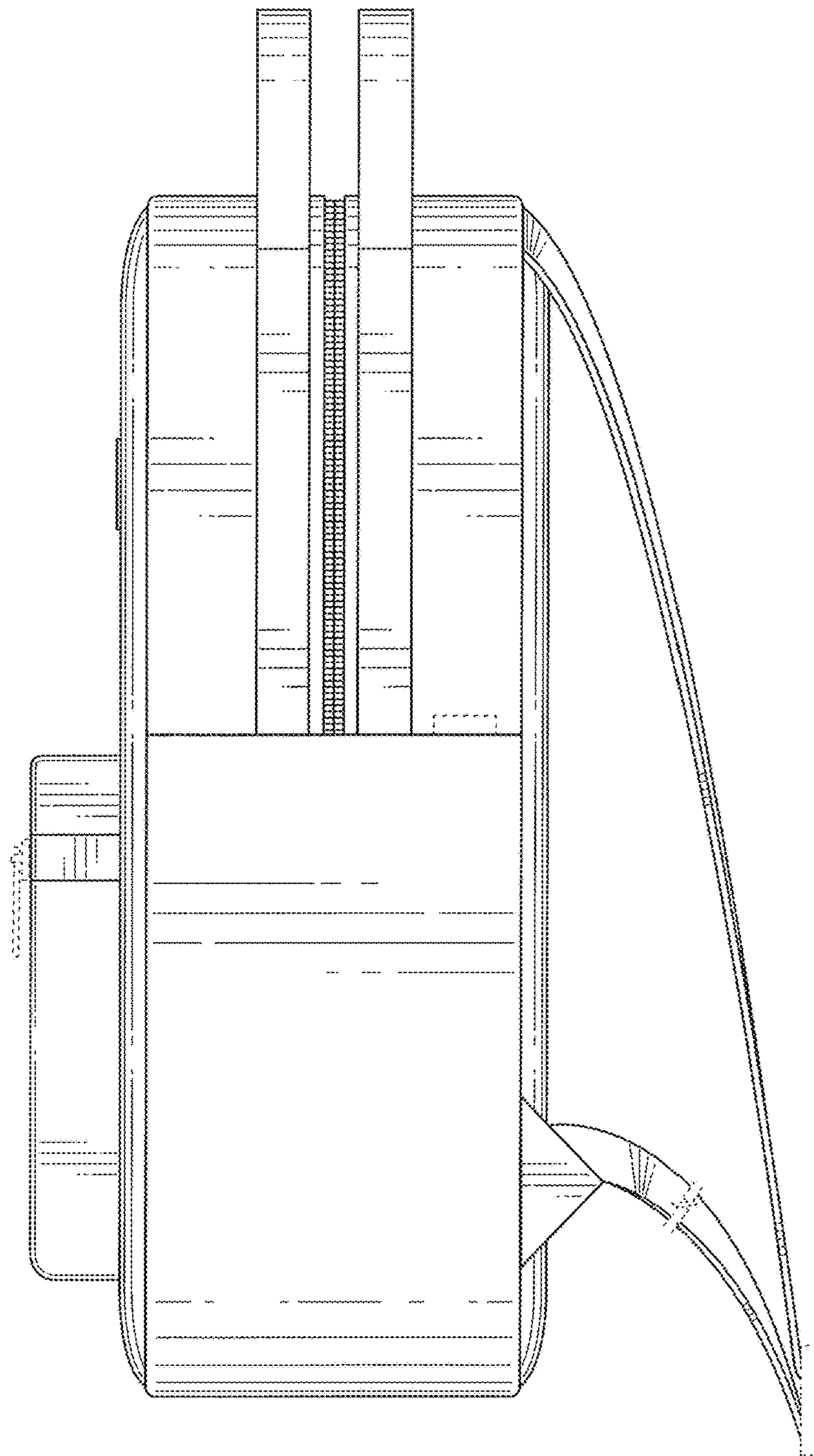


FIG. 5

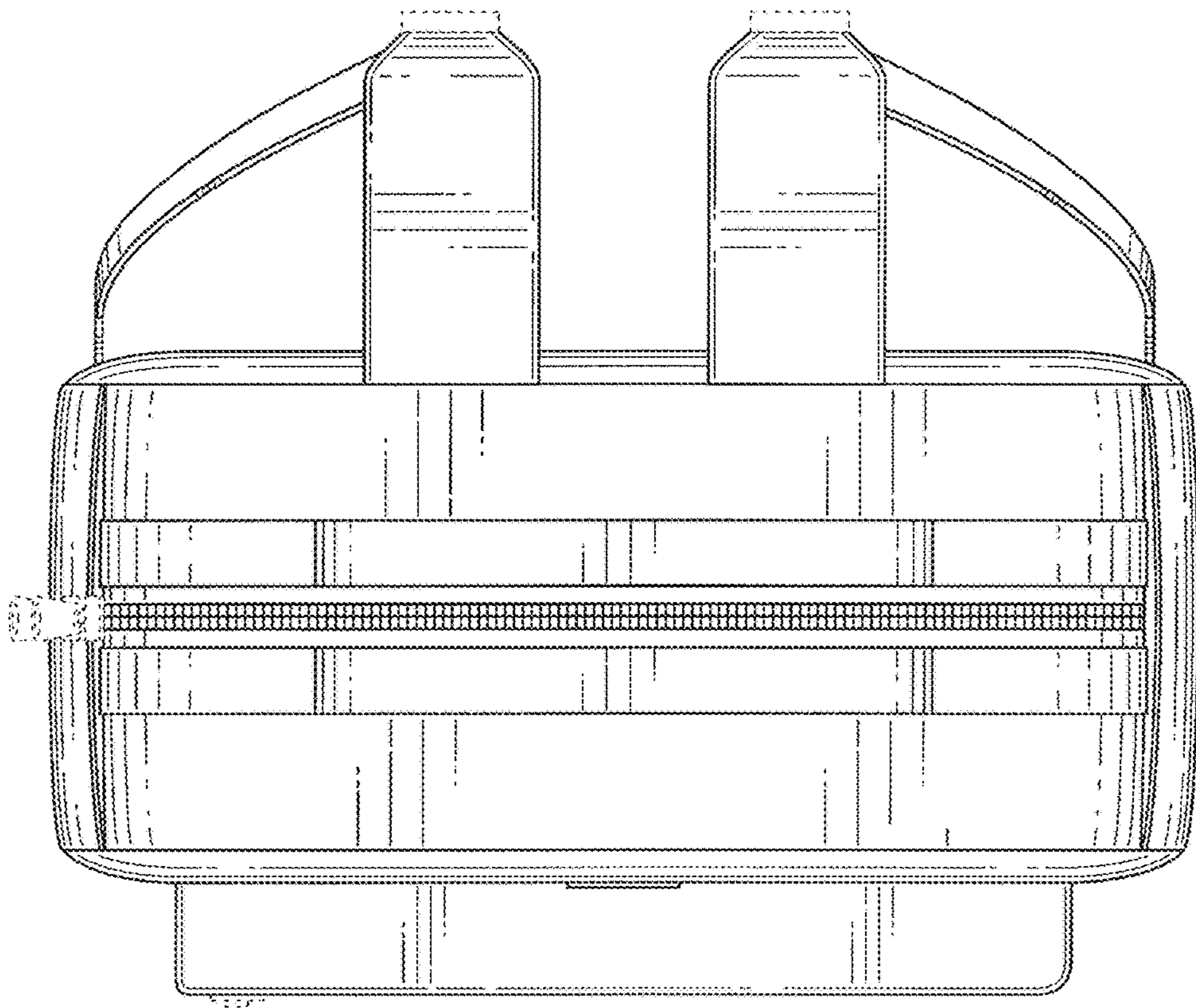


FIG. 6

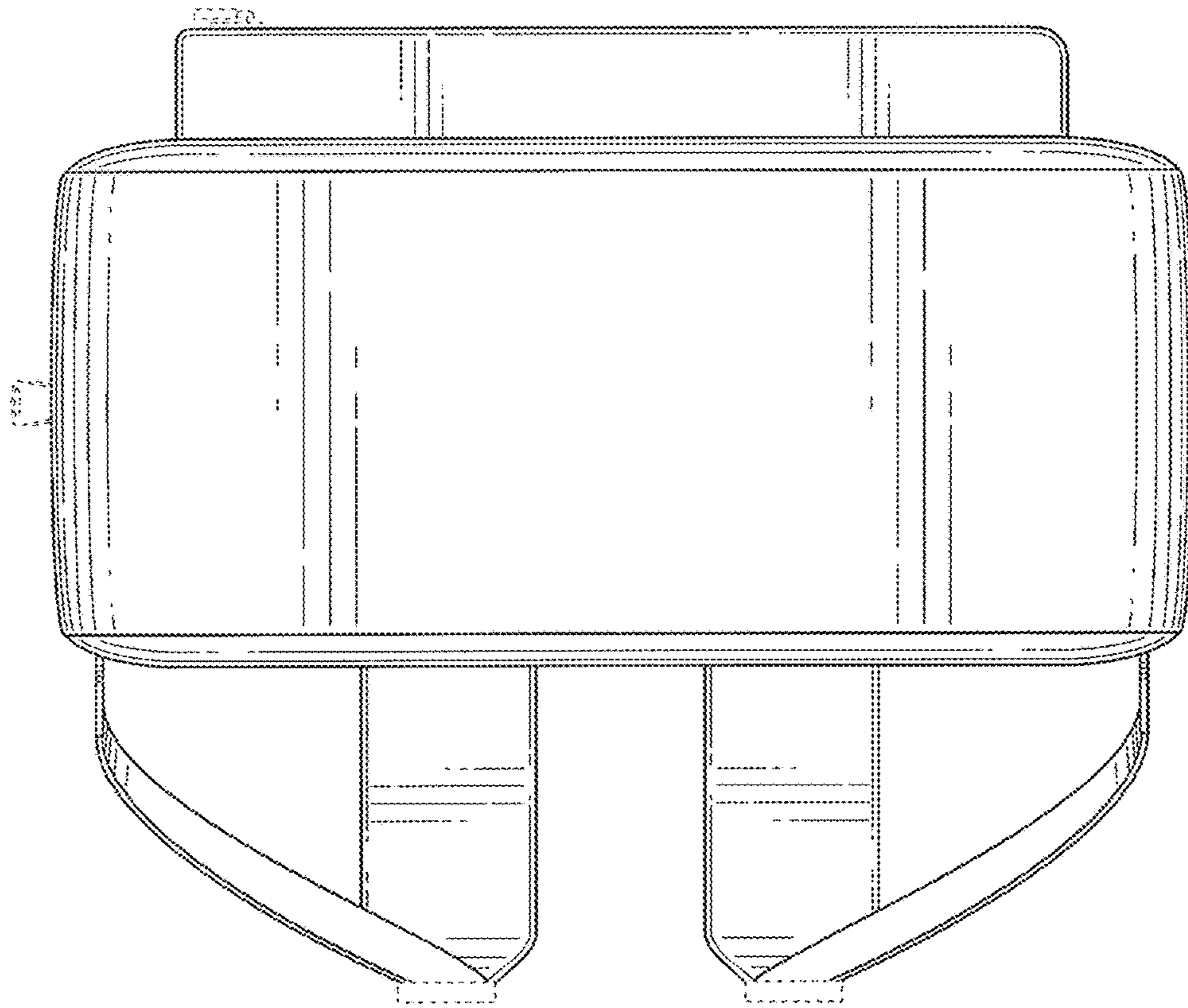


FIG. 7