

US00D867748S

(12) **United States Design Patent** (10) **Patent No.:** **US D867,748 S**  
**Russo** (45) **Date of Patent:** **\*\* Nov. 26, 2019**

(54) **RIBBON HOLDER**  
(71) Applicant: **Deanna Russo**, North Kingstown, RI (US)  
(72) Inventor: **Deanna Russo**, North Kingstown, RI (US)  
(\*\*) Term: **15 Years**  
(21) Appl. No.: **29/642,634**  
(22) Filed: **Mar. 30, 2018**  
(51) **LOC (12) Cl.** ..... **02-07**  
(52) **U.S. Cl.**  
USPC ..... **D3/23**  
(58) **Field of Classification Search**  
USPC ..... D3/18-29; D11/143, 146-148; D6/556, D6/557, 558, 682.1, 682.2; 223/106, 108, 223/120; 211/85.5  
CPC ..... D05B 91/12; D05B 91/14; D05B 91/16; A01G 5/02; A47G 7/00; A47G 7/041  
See application file for complete search history.

D572,625 S \* 7/2008 Doan ..... D11/146  
D573,787 S \* 7/2008 Sweet ..... D3/23  
D598,322 S \* 8/2009 Kunz ..... D11/147  
D741,591 S \* 10/2015 Shainwald ..... D3/26  
D752,339 S \* 3/2016 Hoover ..... D3/23  
D782,180 S \* 3/2017 Eberhard ..... D3/18  
D826,544 S \* 8/2018 Yip ..... D3/18

\* cited by examiner

*Primary Examiner* — John Windmuller  
*Assistant Examiner* — Steven J Czyn  
(74) *Attorney, Agent, or Firm* — PCK IP Lawyers (USA)  
P.C.; Alan F. Feeney, Esq.

(57) **CLAIM**

I claim the ornamental design for a ribbon holder, as shown and described.

**DESCRIPTION**

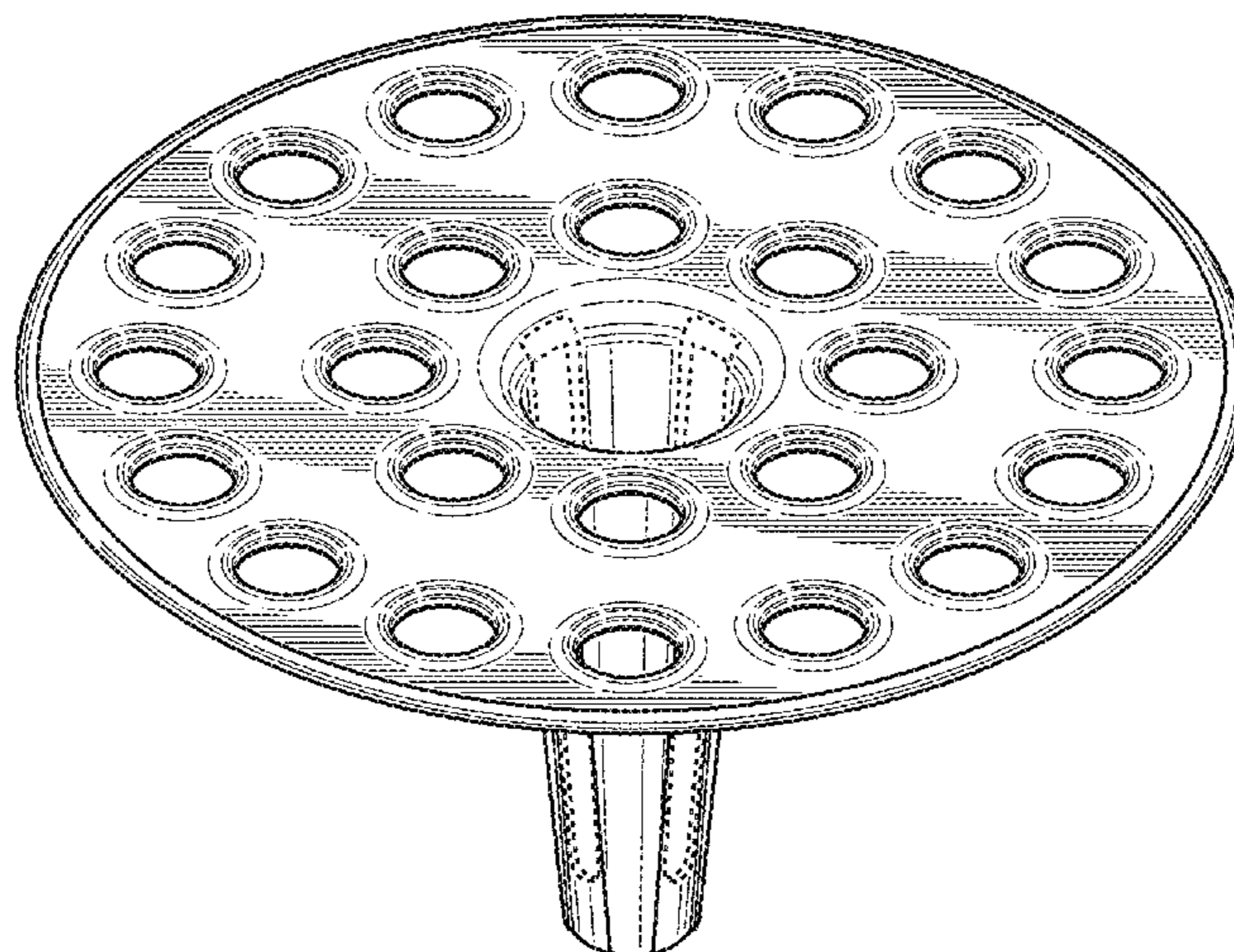
FIG. 1 is an upper perspective view of the ribbon holder design;  
FIG. 2 is a lower perspective view of the ribbon holder design;  
FIG. 3 is a front elevational view of the ribbon holder design, the rear, left and right elevational views are identical thereto;  
FIG. 4 is a top plan view of the ribbon holder design;  
FIG. 5 is a bottom plan view of the ribbon holder design; and,  
FIG. 6 is an enlarged sectional view taken along line 6-6 in FIG. 5 of the ribbon holder design.  
The broken lines depict portions of the article that form no part of the claimed design.

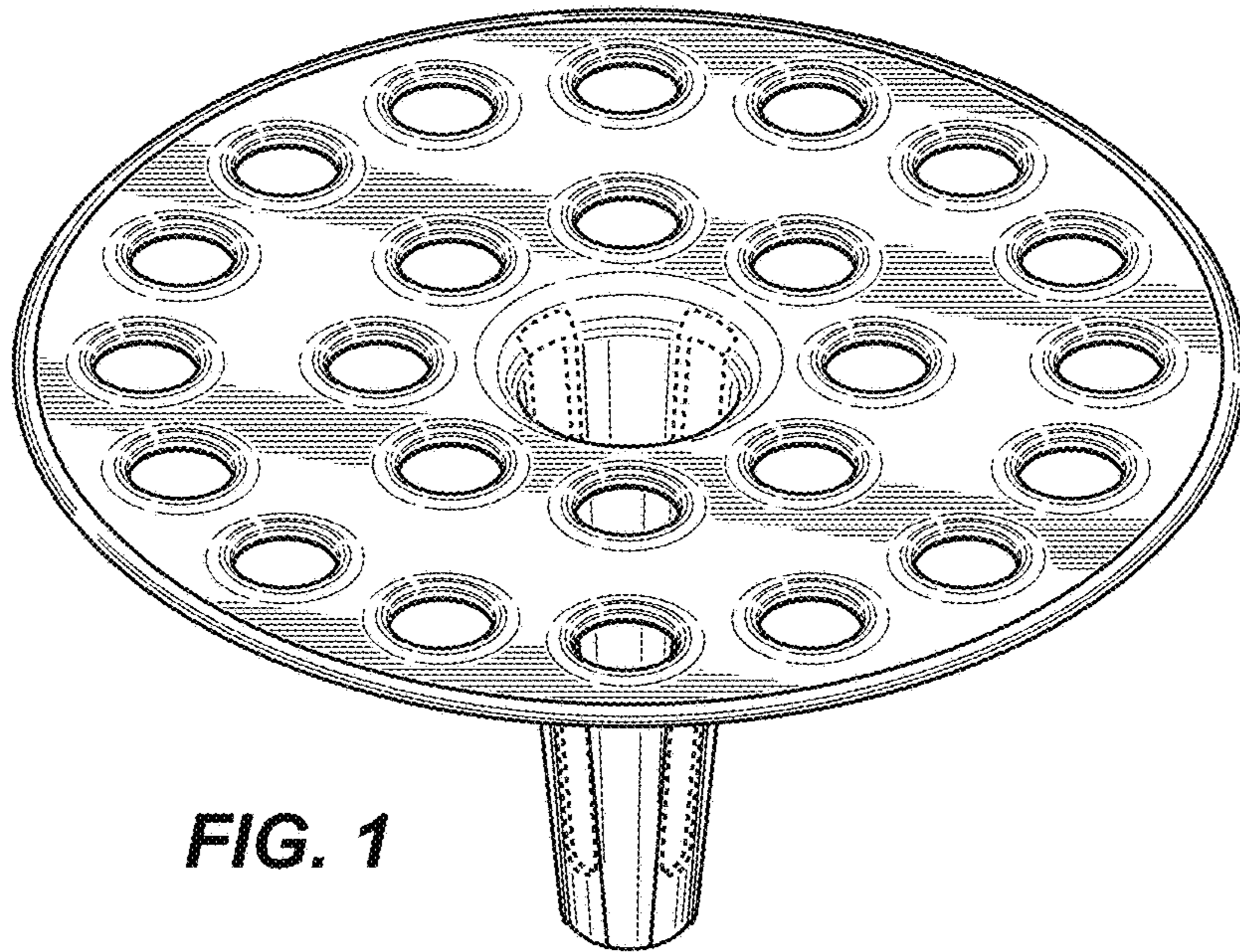
(56) **References Cited**

U.S. PATENT DOCUMENTS

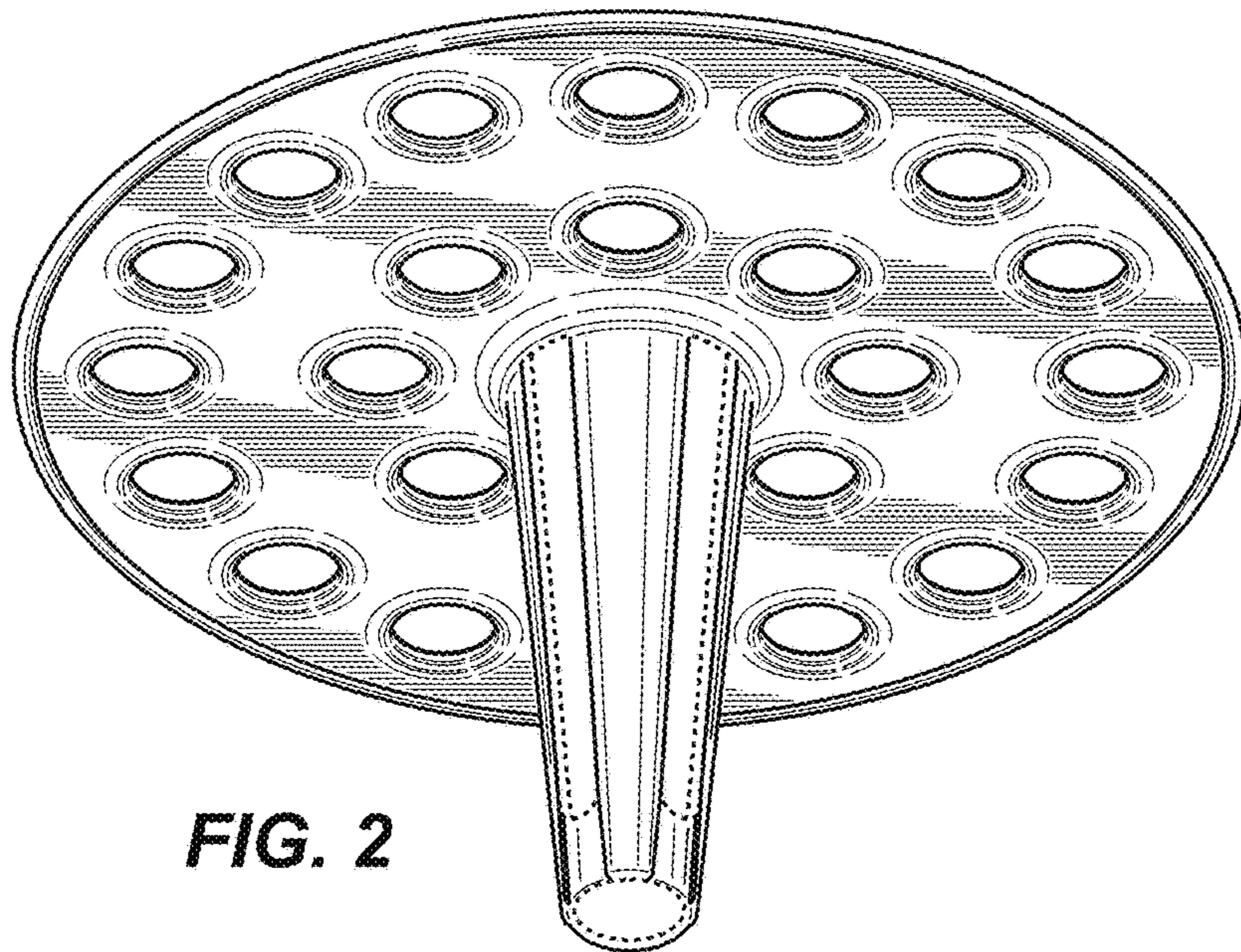
D121,721 S \* 7/1940 Ligh et al. .... D3/18  
D236,643 S \* 9/1975 Ross et al. .... D11/130  
D297,595 S \* 9/1988 Sawai ..... D3/20  
D317,884 S \* 7/1991 Spicer ..... D11/147  
5,375,370 A \* 12/1994 Zimmerman ..... A47G 7/07  
248/188  
D354,869 S \* 1/1995 Salyer ..... D6/680  
D403,532 S \* 1/1999 Moser ..... D6/682.2  
D450,442 S \* 11/2001 Leonard ..... D3/18  
D503,609 S \* 4/2005 Robbins, III ..... D14/484  
D505,256 S \* 5/2005 Nepp ..... D3/25

**1 Claim, 4 Drawing Sheets**





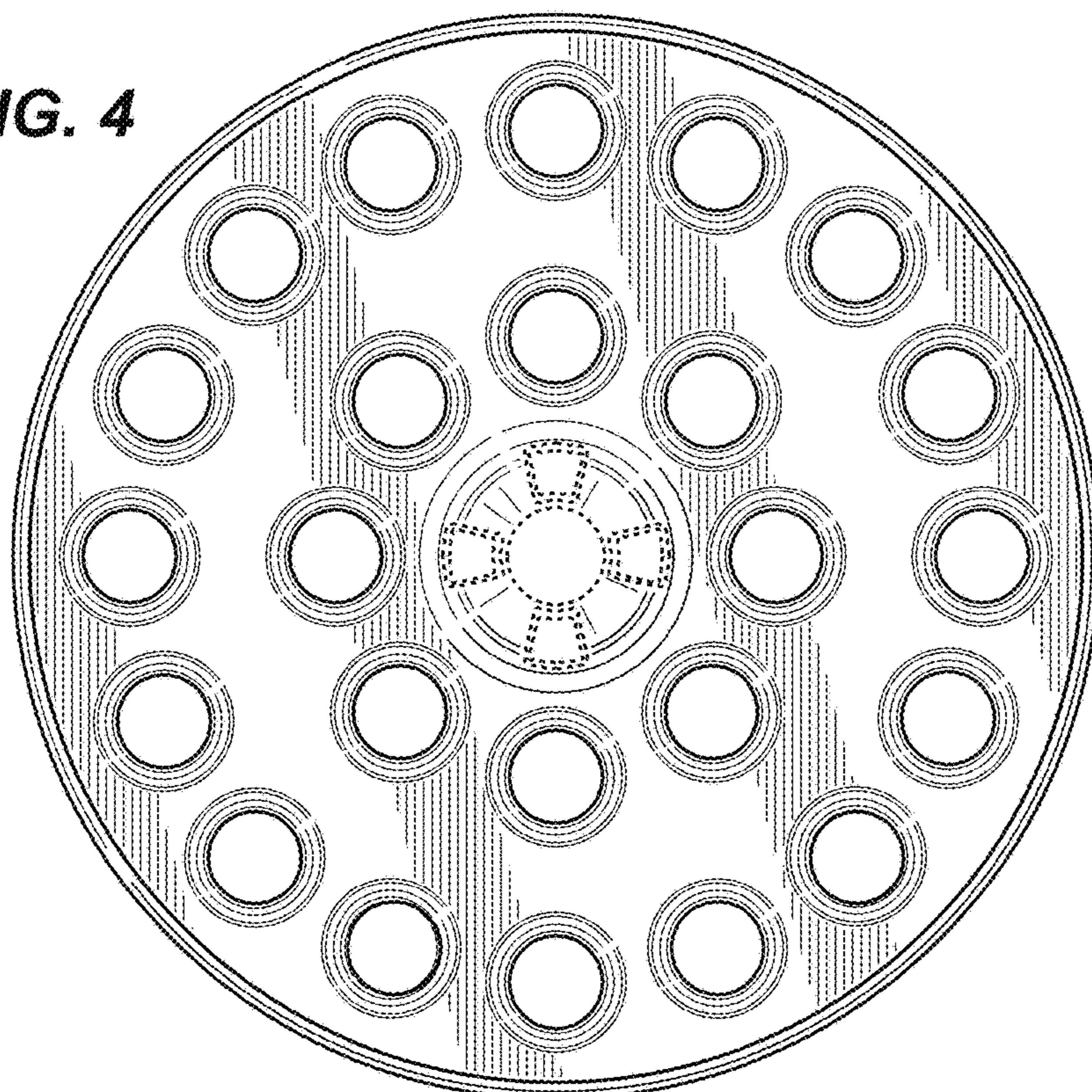
**FIG. 1**



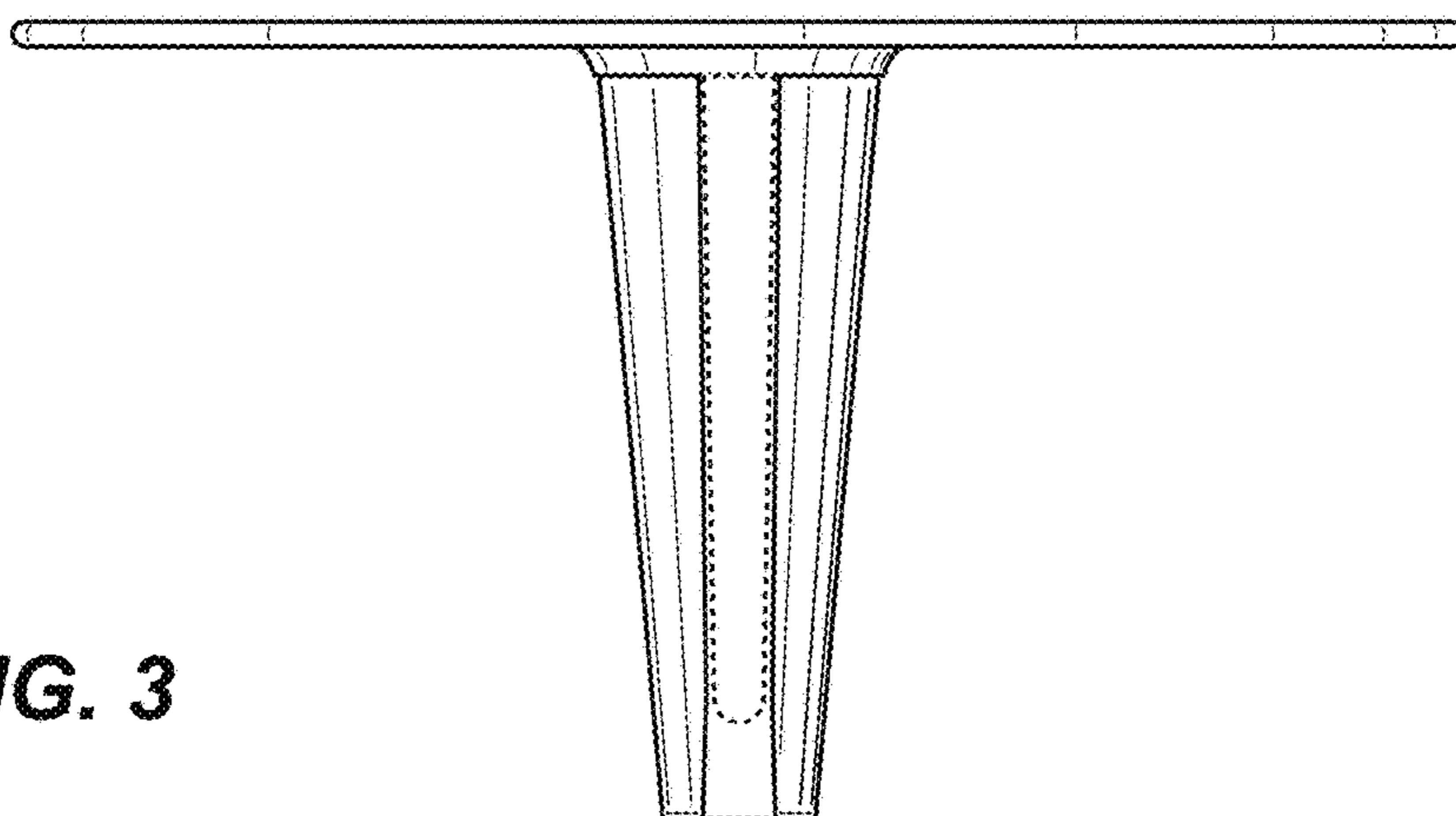
**FIG. 2**



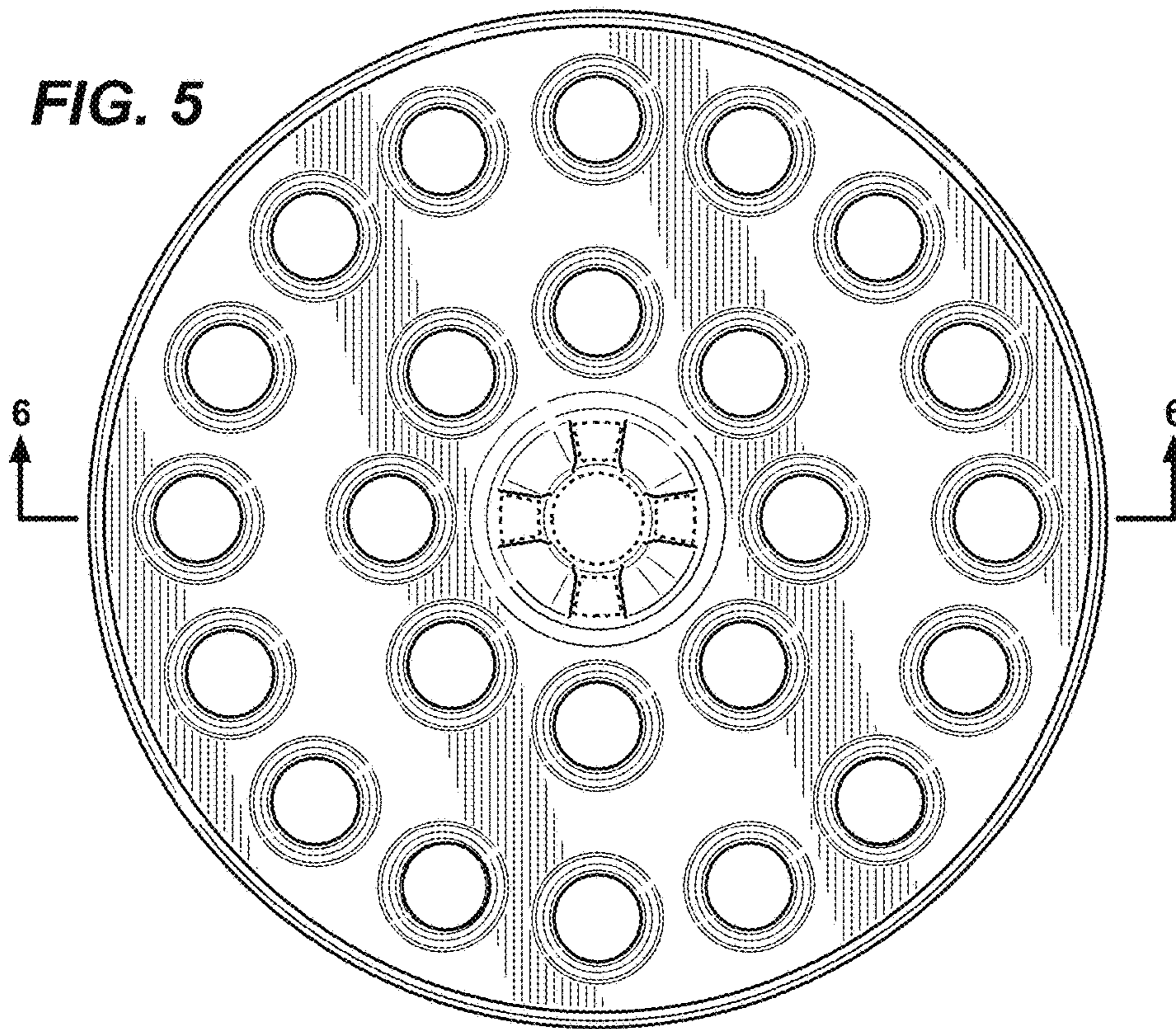
**FIG. 4**



**FIG. 3**



**FIG. 5**



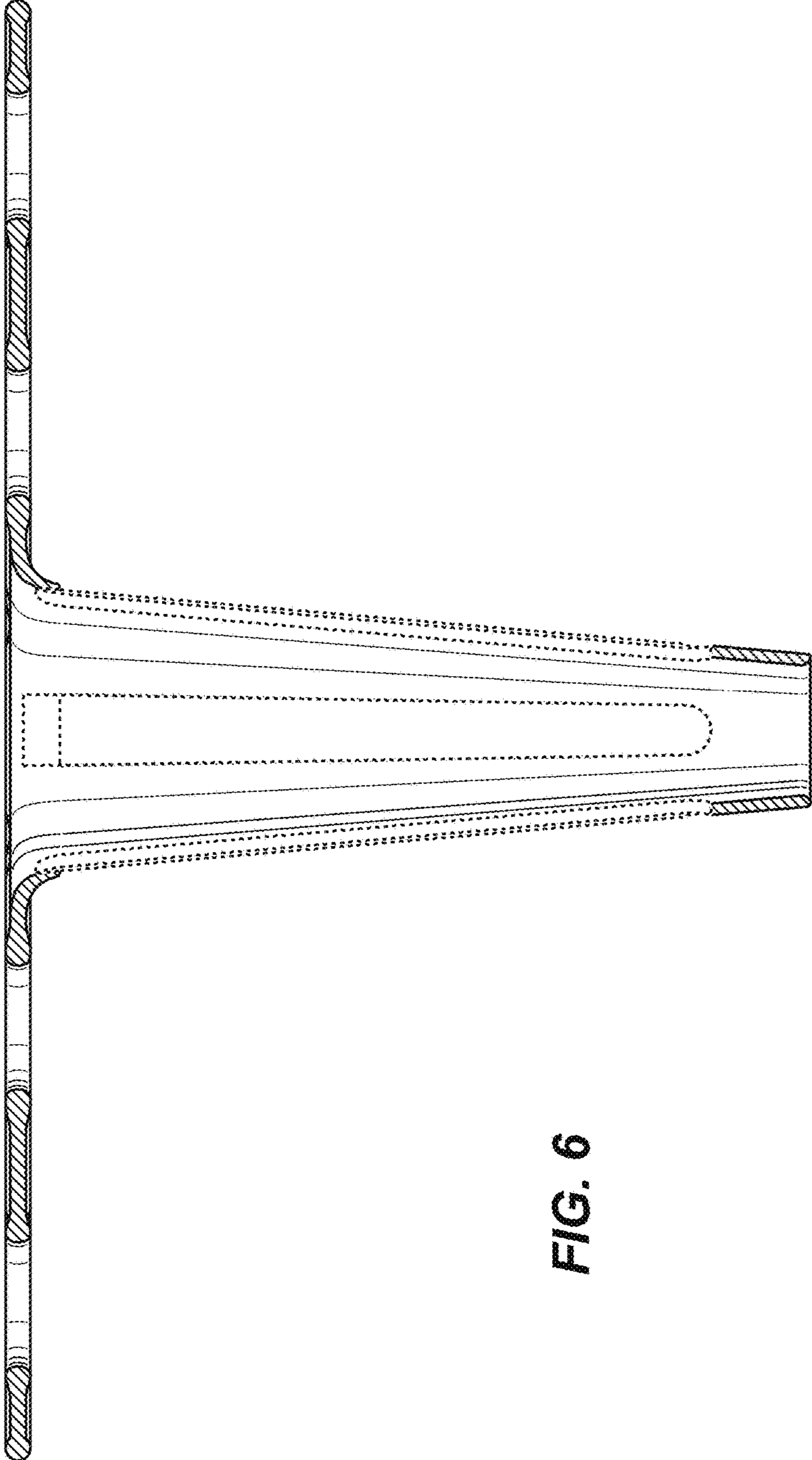


FIG. 6