



US00D867721S

(12) **United States Design Patent** (10) **Patent No.:** **US D867,721 S**
Xu (45) **Date of Patent:** **** Nov. 26, 2019**

(54) **SHAPER**
(71) Applicant: **Xiamen Hexin Fashion Co., Ltd.**,
Xiamen, Fujian (CN)
(72) Inventor: **Zhennan Xu**, Fujian (CN)
(73) Assignee: **HEXIN HOLDING LIMITED**, Hong
Kong (CN)
(**) Term: **15 Years**
(21) Appl. No.: **29/611,108**
(22) Filed: **Jul. 18, 2017**
(51) **LOC (12) Cl.** **02-01**
(52) **U.S. Cl.**
USPC **D2/702**
(58) **Field of Classification Search**
USPC D2/700, 701, 702, 703, 731, 732
CPC A41B 2400/38; A41C 1/06; A41C 3/08;
A41C 1/00; A41C 3/0064; A41D
13/0562; A41D 13/0568; A41D 13/0587;
A61F 5/024; A61F 5/026; A61F 5/028
See application file for complete search history.

(56) **References Cited**

U.S. PATENT DOCUMENTS

5,946,726 A * 9/1999 Green A41D 13/0017
2/102
D503,509 S * 4/2005 Bell 450/72
D631,231 S * 1/2011 Sagnip D2/829
D647,283 S * 10/2011 Sagnip D2/829
D661,051 S * 6/2012 Brooks D2/700
D789,658 S * 6/2017 Curtis D2/841
D816,236 S * 4/2018 Diaz D24/206
2004/0002288 A1* 1/2004 Bell A41C 3/0064
450/75
2009/0259159 A1* 10/2009 Bell A41C 3/0064
602/75
2012/0142252 A1* 6/2012 Hopkins A41C 3/08
450/31

2012/0316483 A1* 12/2012 Waeger A61F 5/026
602/19
2016/0045355 A1* 2/2016 Safko A61F 5/028
602/19
2018/0116306 A1* 5/2018 Andre A41D 31/00

FOREIGN PATENT DOCUMENTS

GB 6011385 * 4/2017

OTHER PUBLICATIONS

Facebook. Link: https://www.facebook.com/loverbeautyhexin/photos/a.126996511106350/581145095691487/?type=3&eid=ARAZcZPwnY34KHuzUX8x5xeRG5PRF4ekVn6r6M6Un8kSrfgiq-7W6kmWRBpYNaPMcXyrurkZOTC90HbR&_tn_=EEHH-R. Jan. 21, 2019. Xiamen Hexin Fashion Co.,LTD Instant Shaping. (Year: 2019)*

* cited by examiner

Primary Examiner — Susan Bennett Hattan
Assistant Examiner — Lauren D McVey

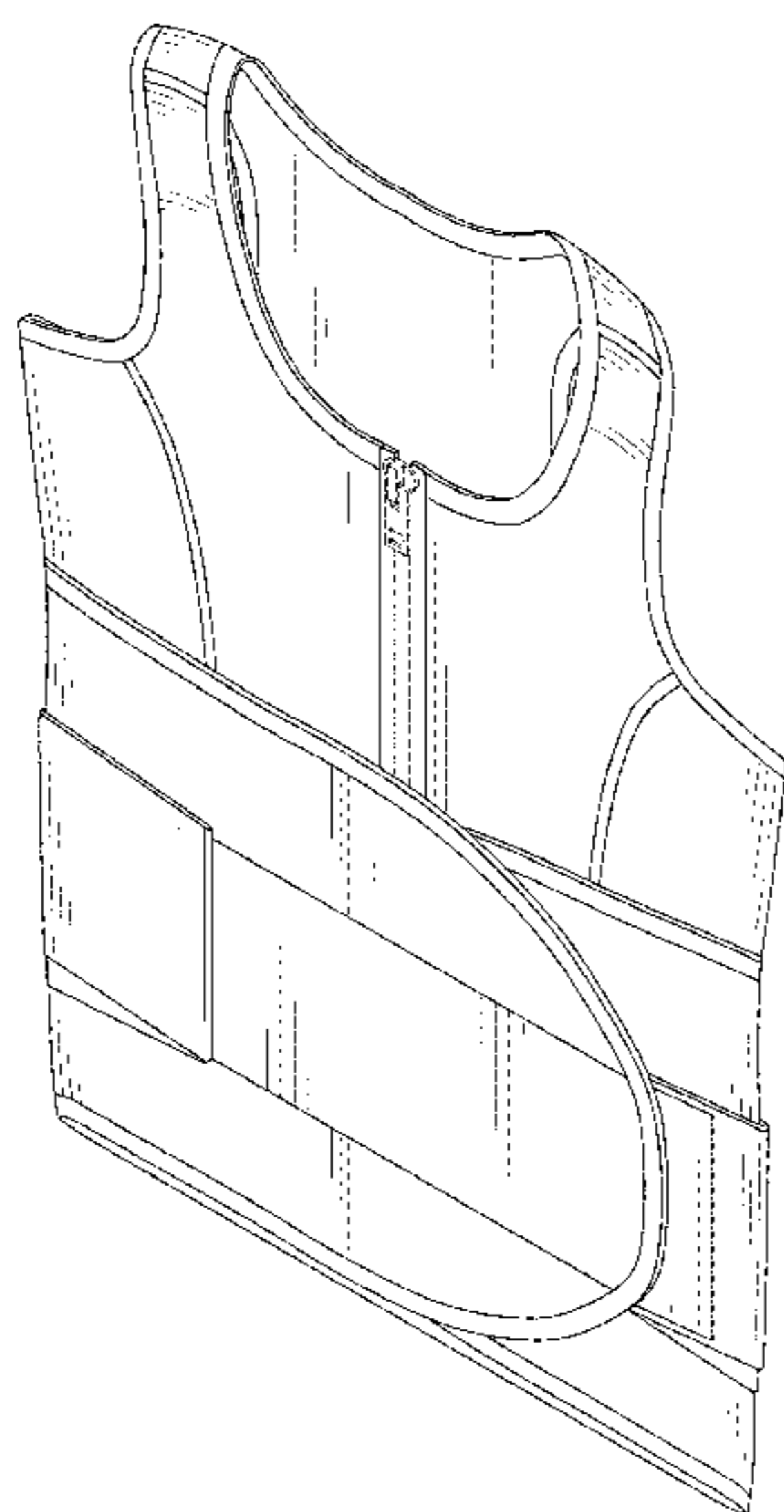
(57) **CLAIM**

The ornamental design for a shaper, as shown and described.

DESCRIPTION

FIG. 1 is a first perspective view of a shaper showing my new design;
FIG. 2 is a second perspective view thereof;
FIG. 3 is a front elevation view thereof;
FIG. 4 is a rear elevation view thereof;
FIG. 5 is a front elevation view showing the shaper in a partially open state; and,
FIG. 6 is a perspective view thereof.
The broken lines that are immediately adjacent to the claimed areas depict the bounds of the claimed design, while all other broken lines are directed to environment. The broken lines form no part of the claimed design.

1 Claim, 6 Drawing Sheets



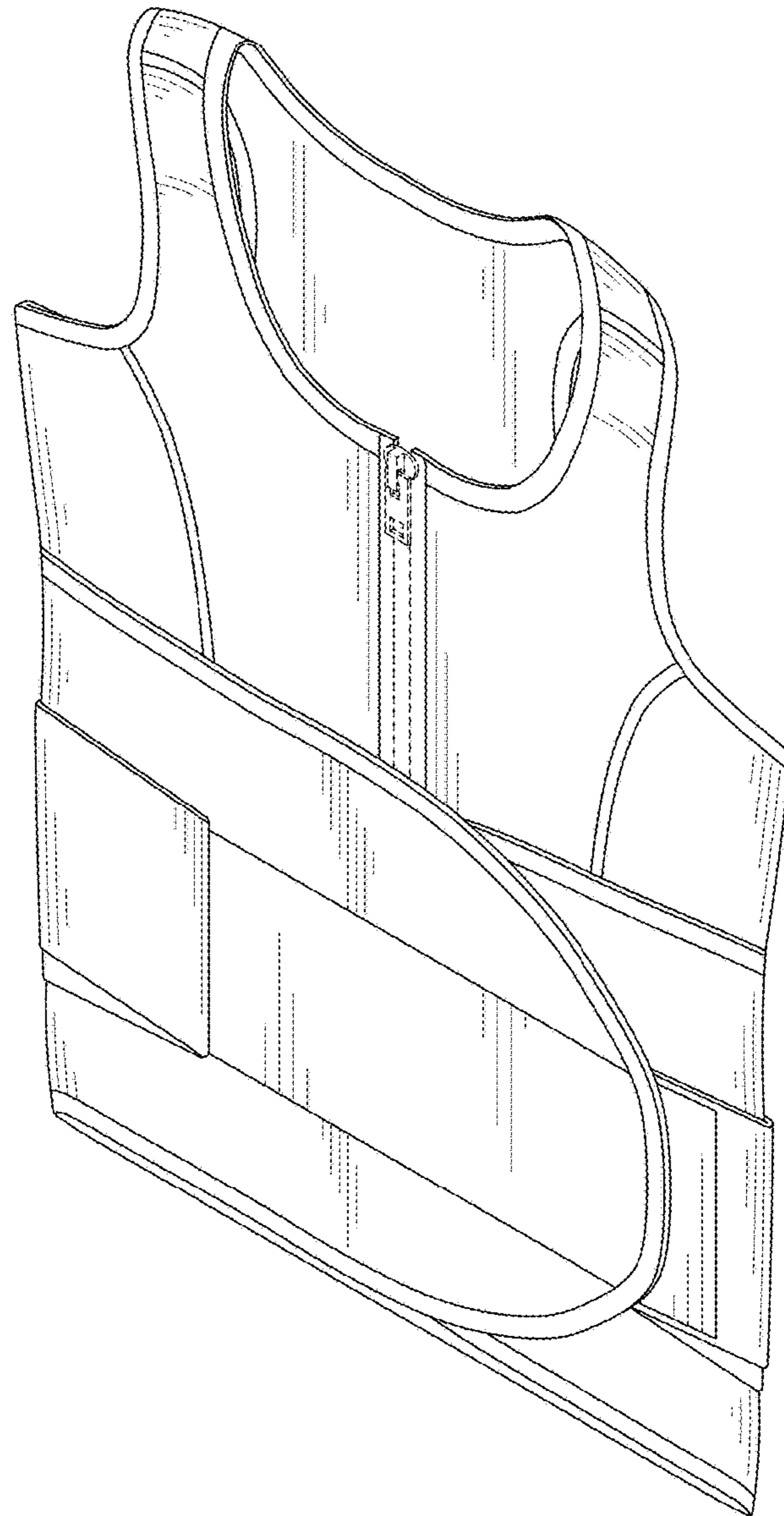


FIG. 1

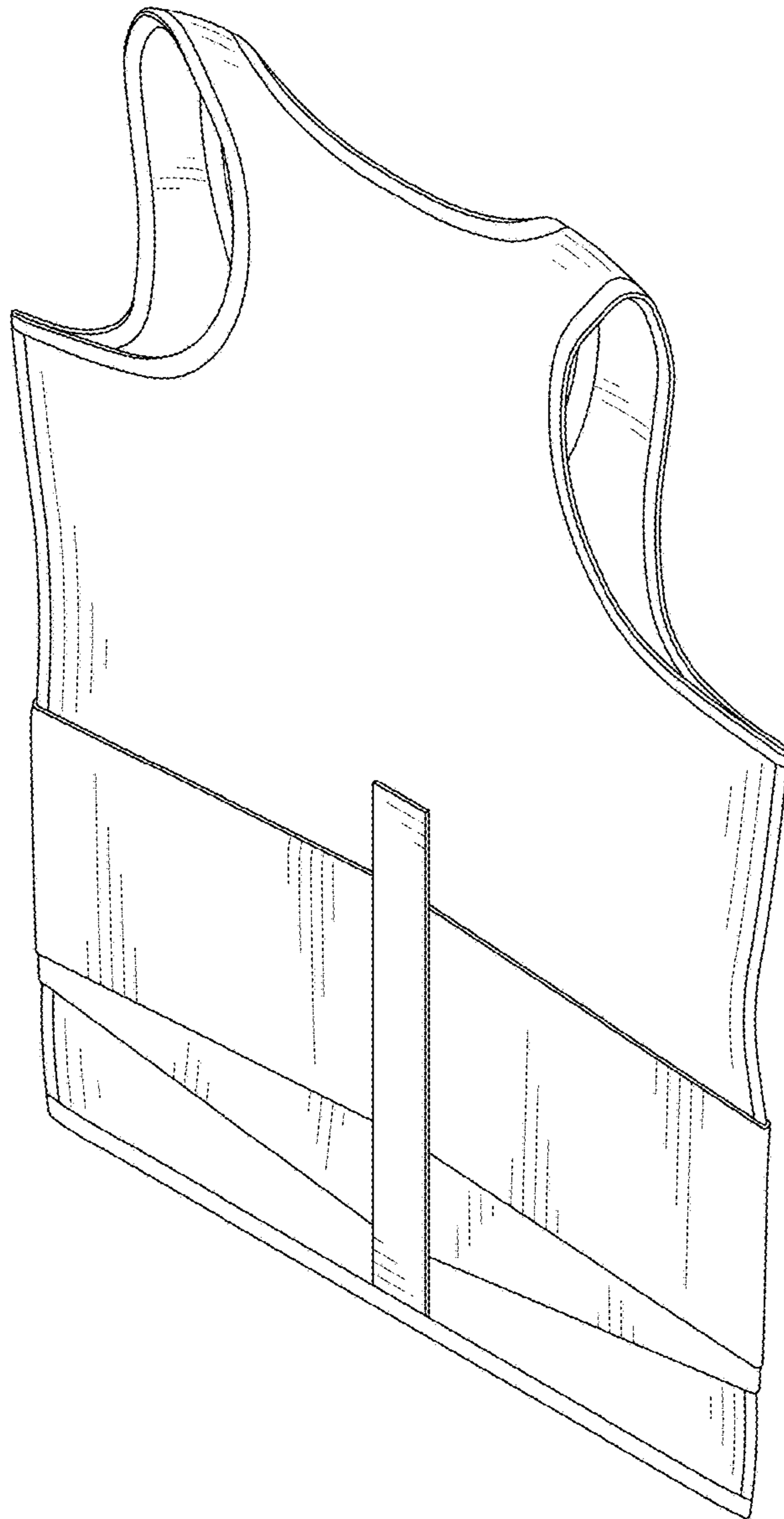


FIG. 2

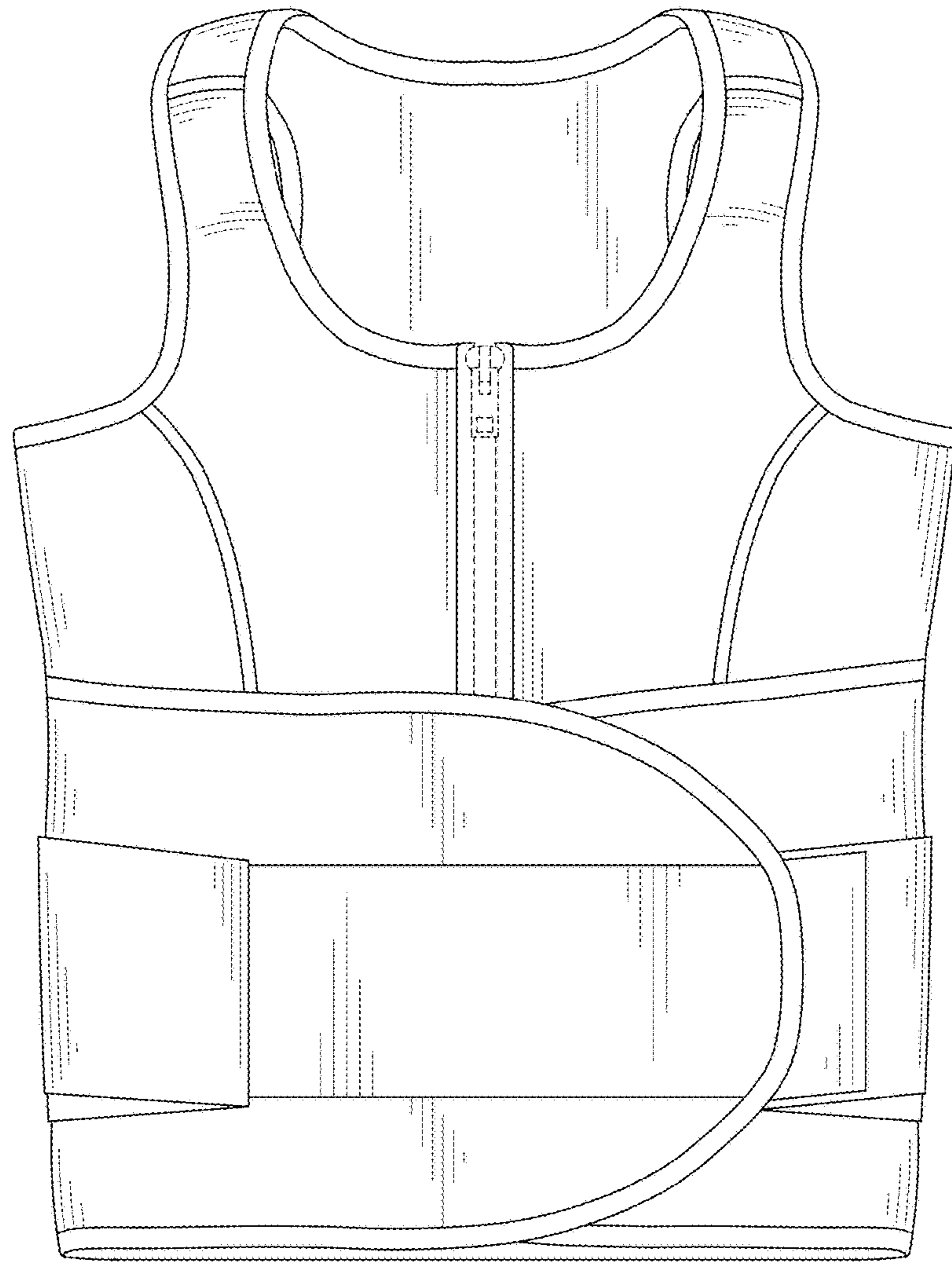


FIG. 3

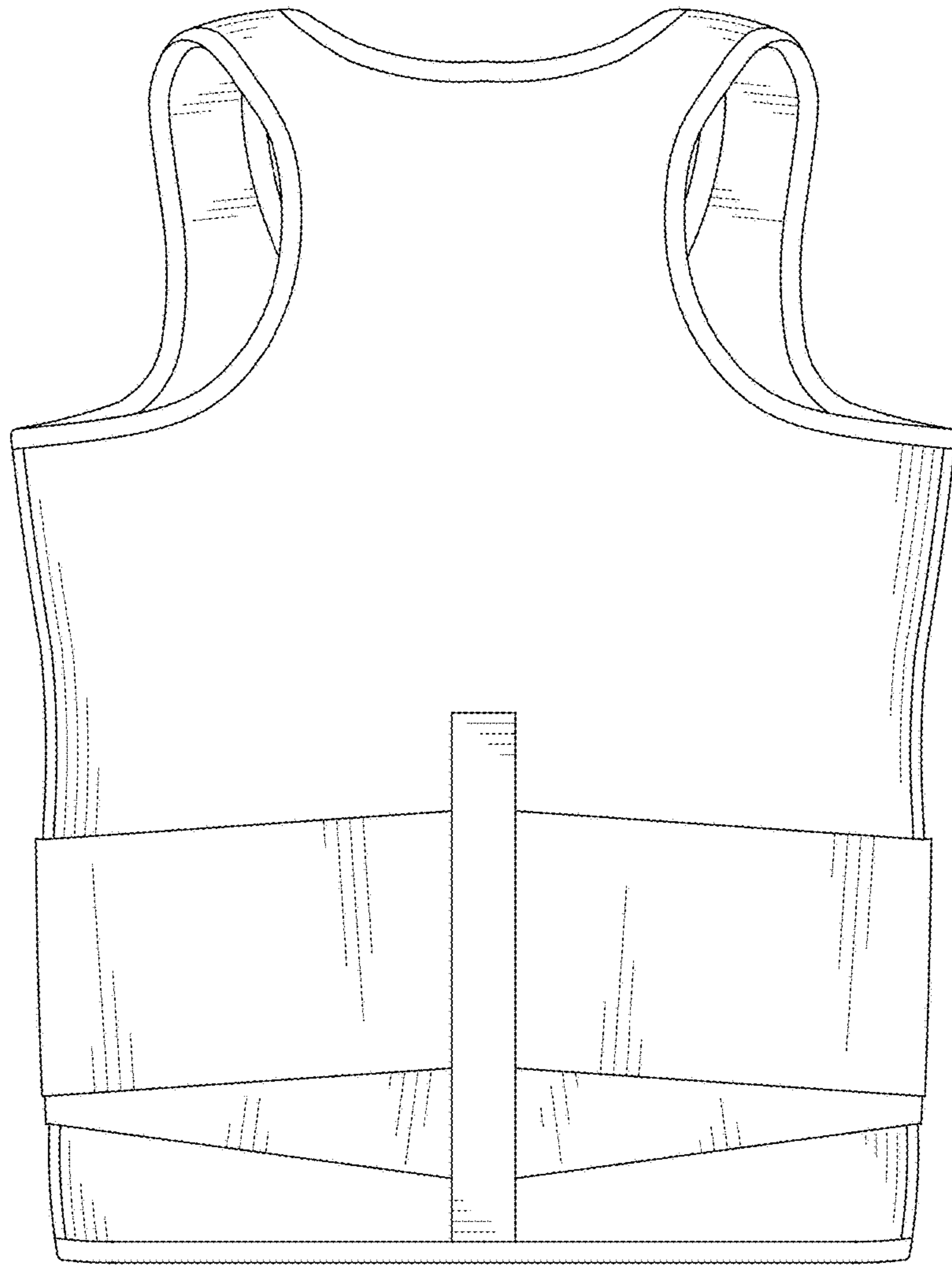


FIG. 4

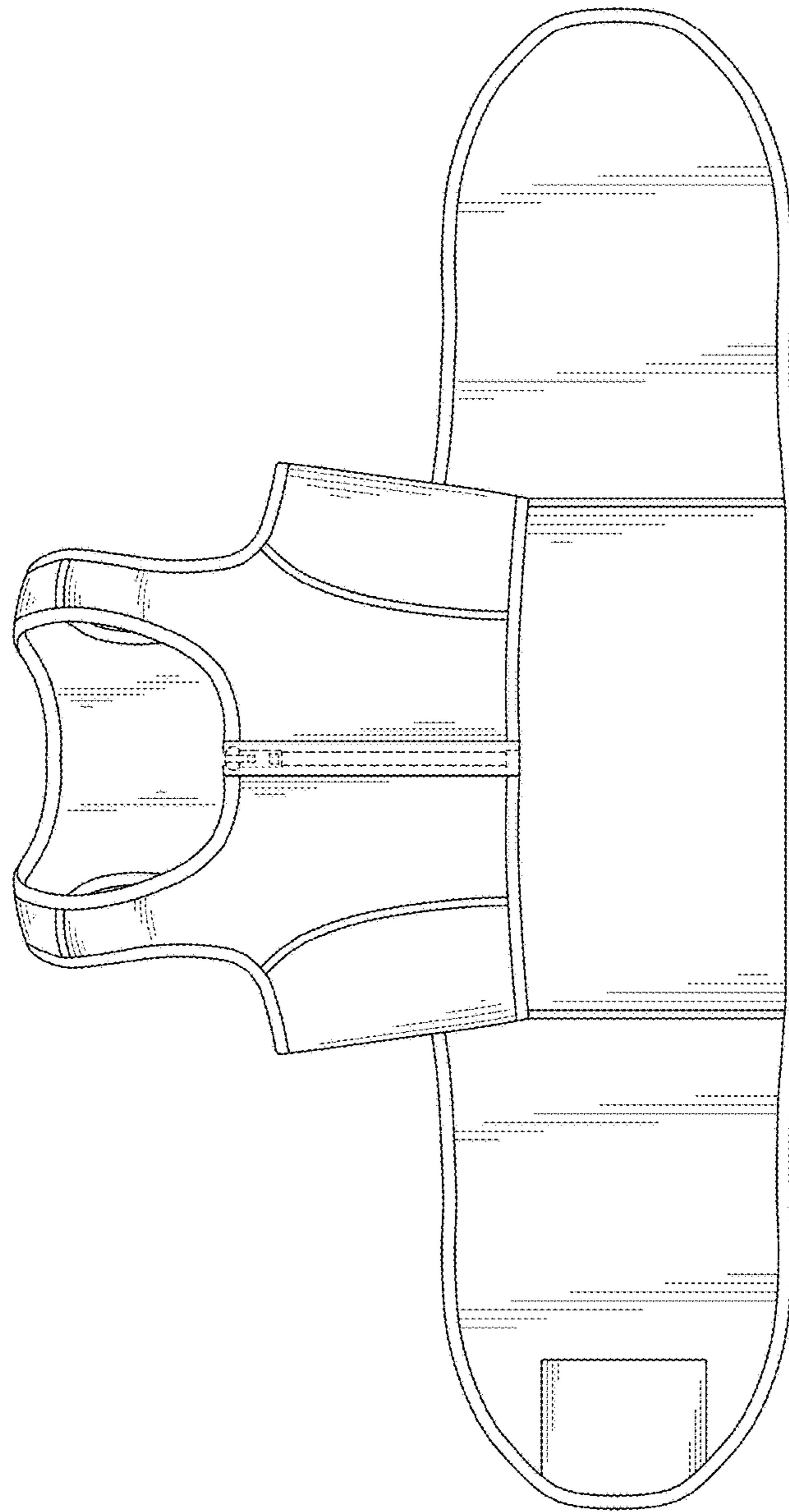


FIG. 5

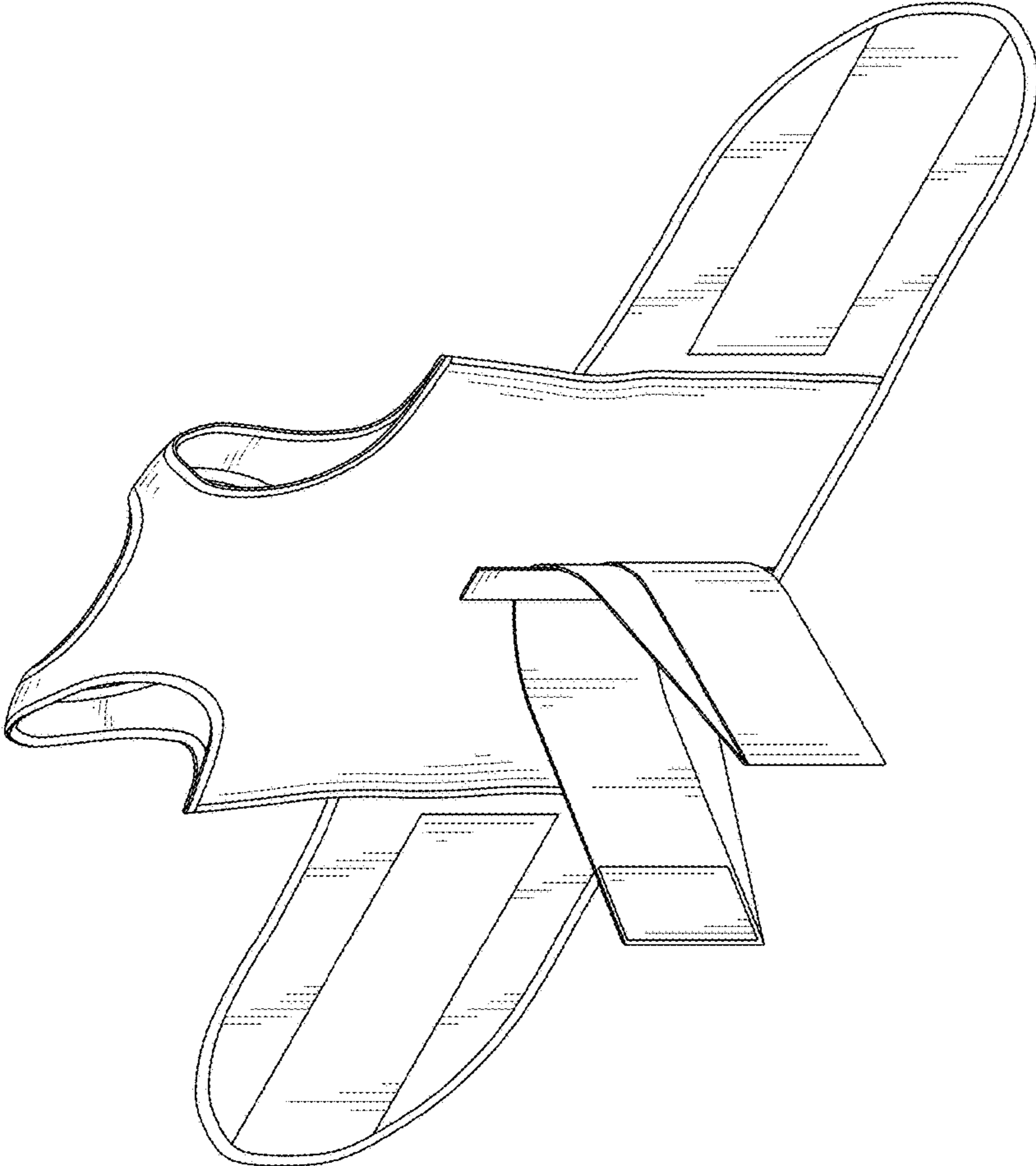


FIG. 6