

US00D867716S

(12) **United States Design Patent**
Block et al.

(10) **Patent No.:** **US D867,716 S**

(45) **Date of Patent:** **** Nov. 26, 2019**

- (54) **HOUSE SHAPED PASTRY**
- (71) Applicants: **Chuck Block**, Chula Vista, CA (US);
Dan Blanchard, Chula Vista, CA (US)
- (72) Inventors: **Chuck Block**, Chula Vista, CA (US);
Dan Blanchard, Chula Vista, CA (US)
- (**) Term: **15 Years**
- (21) Appl. No.: **29/665,919**
- (22) Filed: **Oct. 8, 2018**
- (51) **LOC (12) Cl.** **01-01**
- (52) **U.S. Cl.**
USPC **D1/106; D1/129**
- (58) **Field of Classification Search**
USPC D1/100–130, 199; 426/5, 76, 87, 92, 94,
426/95, 99, 101, 103, 108, 138–139, 143,
426/144, 279, 282, 283, 391, 514, 549,
426/660; D21/478–480, 483, 484,
D21/490–494, 501, 502, 506, 508, 509,
D21/511; D30/110, 112; D25/33, 59;
D9/416, 636; 446/108, 114, 124
CPC A63H 33/06; A63H 33/067; A63H 33/084;
A63H 33/04; A63H 33/088; A63H 33/08;
A63F 9/12
See application file for complete search history.

- 5,215,490 A * 6/1993 Szoradi A63H 33/08
446/115
- 5,273,477 A * 12/1993 Adams, Jr. A63H 33/08
446/108
- 7,210,920 B2 * 5/2007 Kolz A21C 3/021
206/575

(Continued)

Primary Examiner — Katie Jane Stofko

(74) *Attorney, Agent, or Firm* — Donn K. Harms

(57) **CLAIM**

An ornamental design for a house shaped pastry, as shown and described.

DESCRIPTION

FIG. 1 is a front view of the front component of a house shaped pastry, the rear view of the rear component being identical to FIG. 1;

FIG. 2 is an isometric view of the front component thereof, the isometric view of the rear component being identical to FIG. 2

FIG. 3 is a right view of the right component of the house shaped pastry, the left view of the left component being identical to FIG. 3;

FIG. 4 is an isometric view of the right component thereof, the isometric view of the left component being identical to FIG. 4;

FIG. 5 is a top view of a first top component of the house shaped pastry, the second top component being identical to FIG. 5;

FIG. 6 is an isometric view of the first top component thereof, the isometric view of the second top component being identical to FIG. 6;

FIG. 7 is a front view of the assembled house shaped pastry;

FIG. 8 is a top view of the assembled house shaped pastry;

FIG. 9 is a side view of the assembled house shaped pastry;

and,

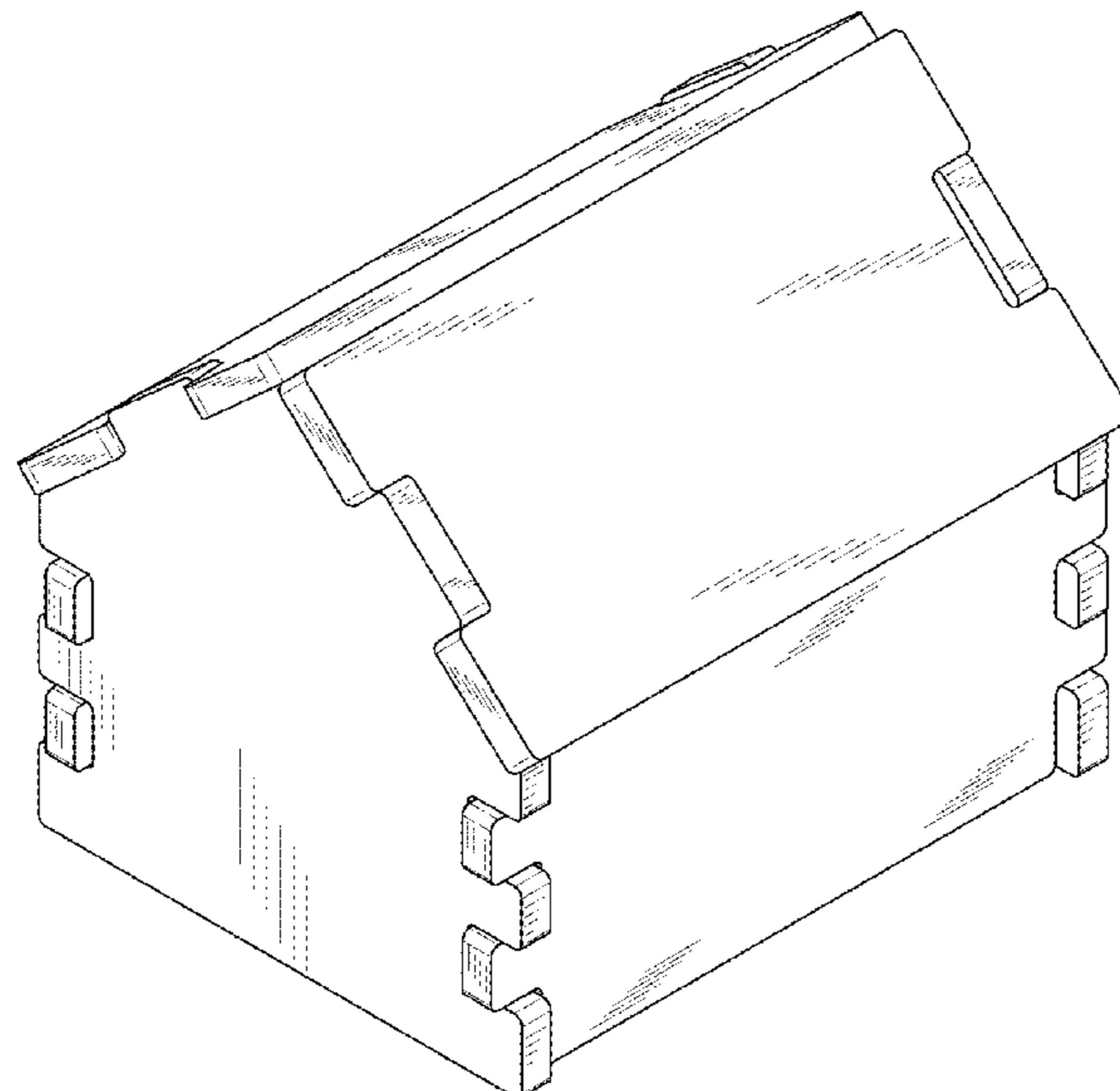
FIG. 10 is an isometric view of the assembled house shaped pastry.

(56) **References Cited**

U.S. PATENT DOCUMENTS

- 1,562,006 A * 11/1925 Sichterman A63H 33/084
446/106
- 2,278,327 A * 3/1942 Magnus A63H 33/108
446/124
- D172,786 S * 8/1954 Eitemiller D21/479
- D224,029 S * 6/1972 Gale D21/826
- D251,265 S * 3/1979 Shorten D21/511
- 5,145,440 A * 9/1992 Boris A63H 33/008
446/106

1 Claim, 4 Drawing Sheets



(56)

References Cited

U.S. PATENT DOCUMENTS

D547,880 S *	7/2007	Ashby	D25/33
D699,793 S *	2/2014	Gomez	D21/511
D792,675 S *	7/2017	Block	D1/106
2004/0142063 A1 *	7/2004	Kolz	A21C 3/021
			425/298
2009/0232946 A1 *	9/2009	Cha	A23G 3/343
			426/104

* cited by examiner

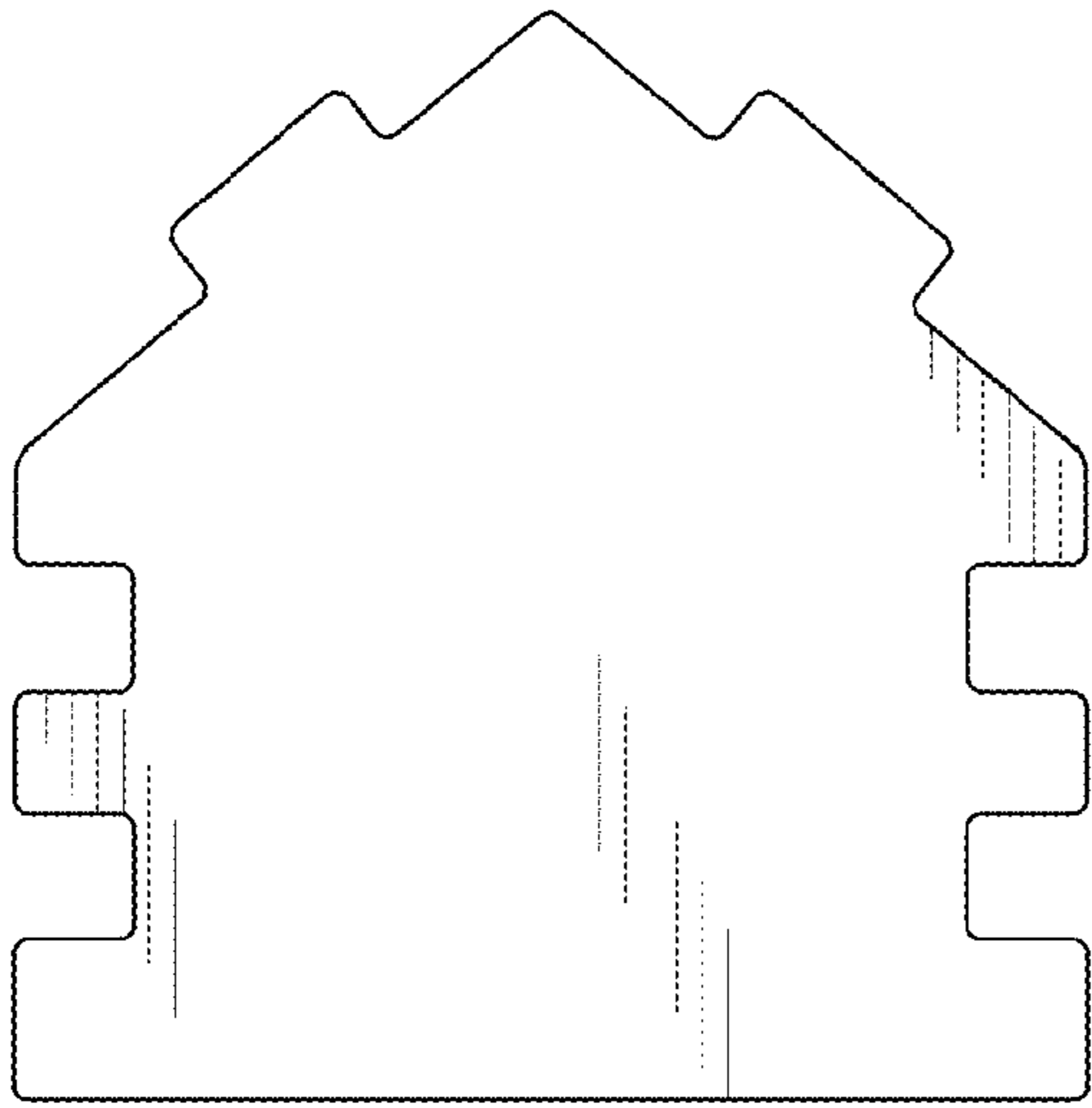


FIG. 1

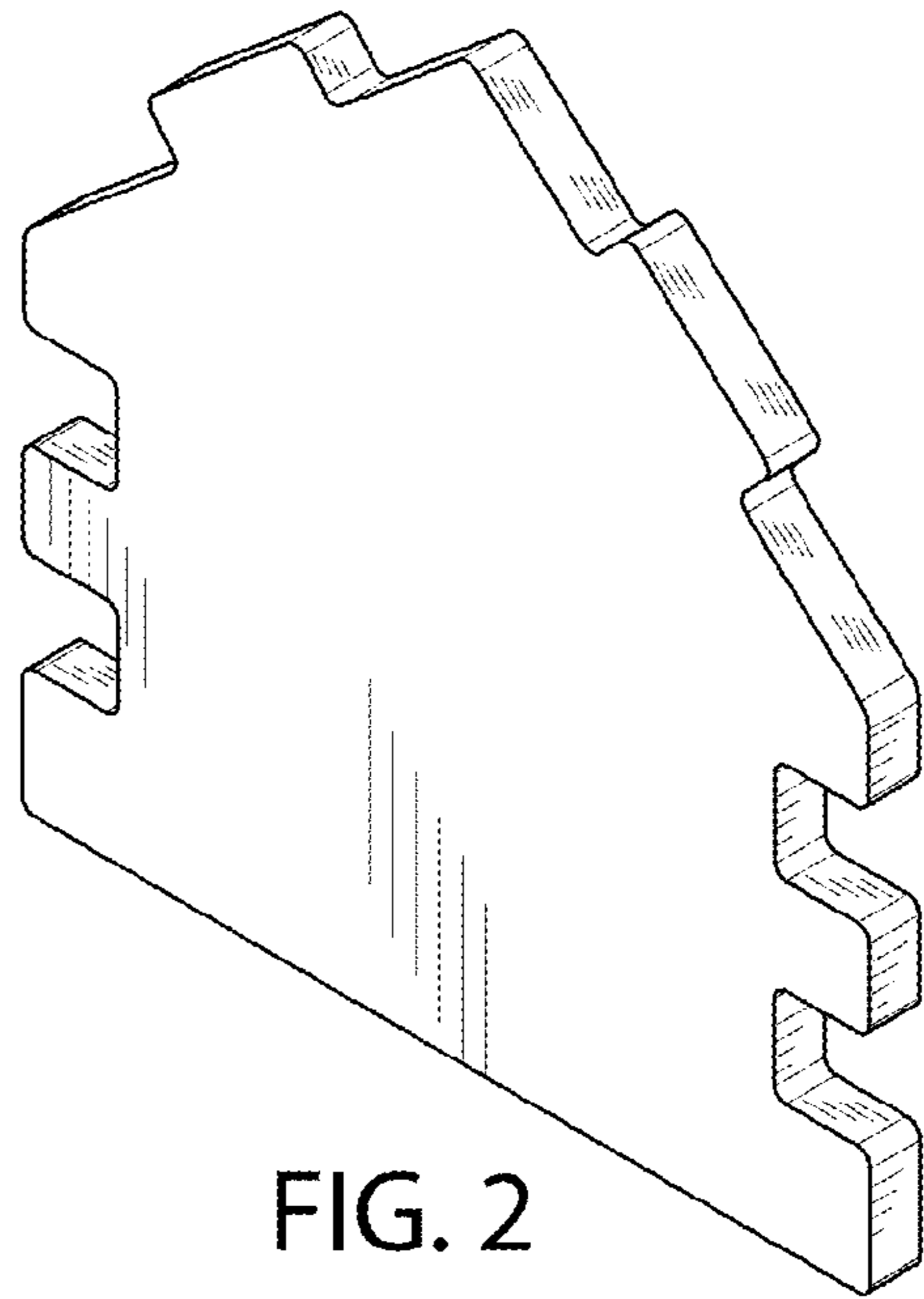


FIG. 2

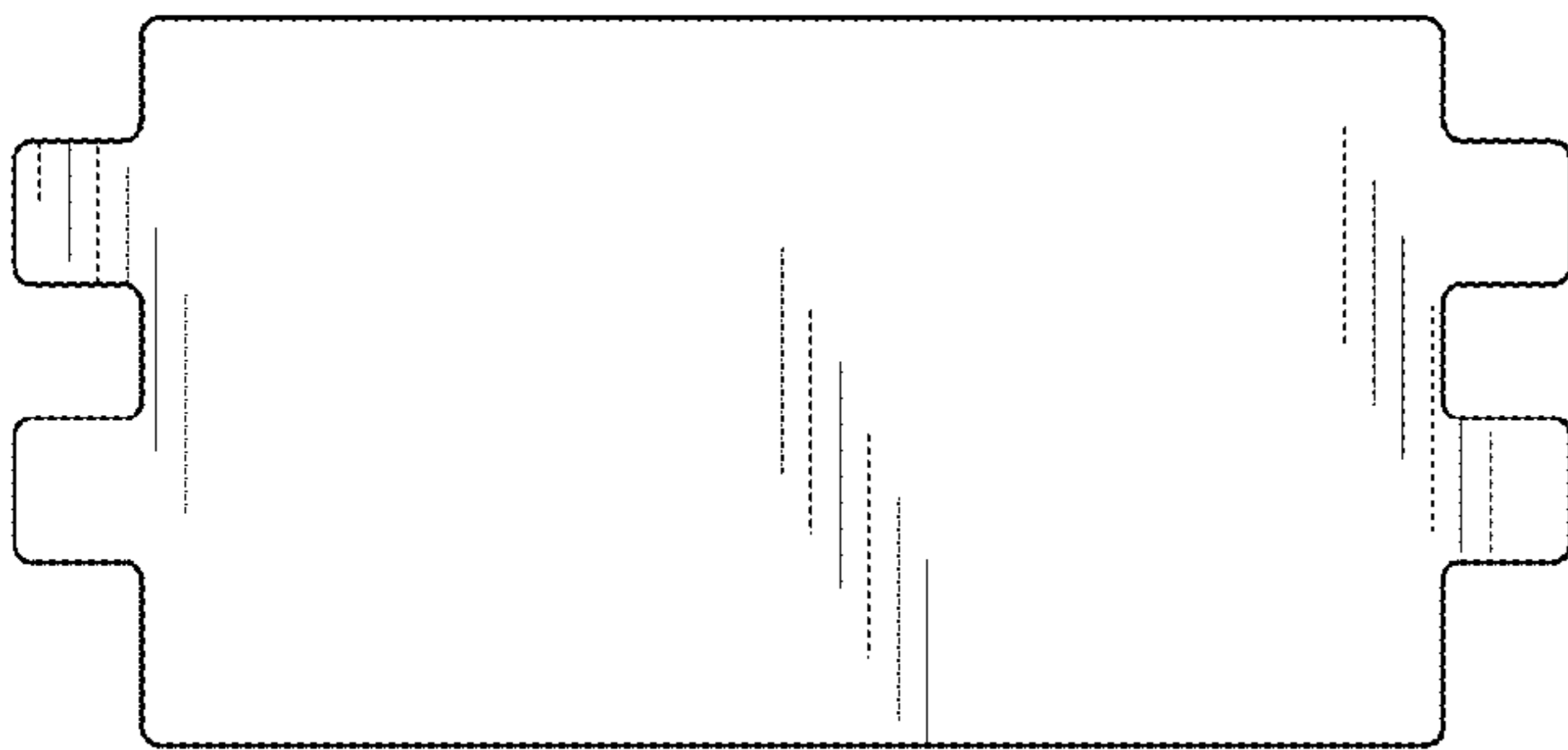


FIG. 3

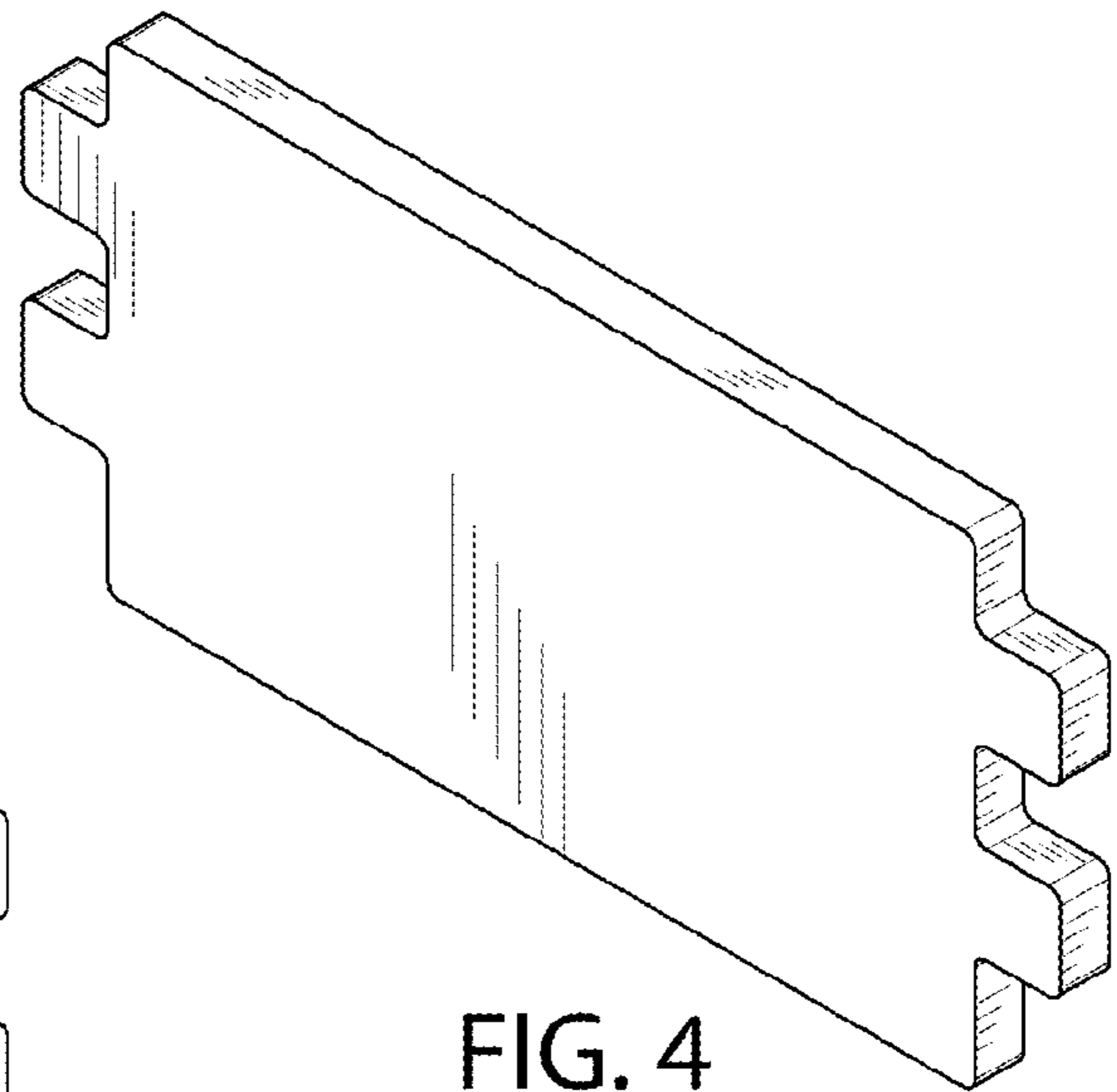


FIG. 4

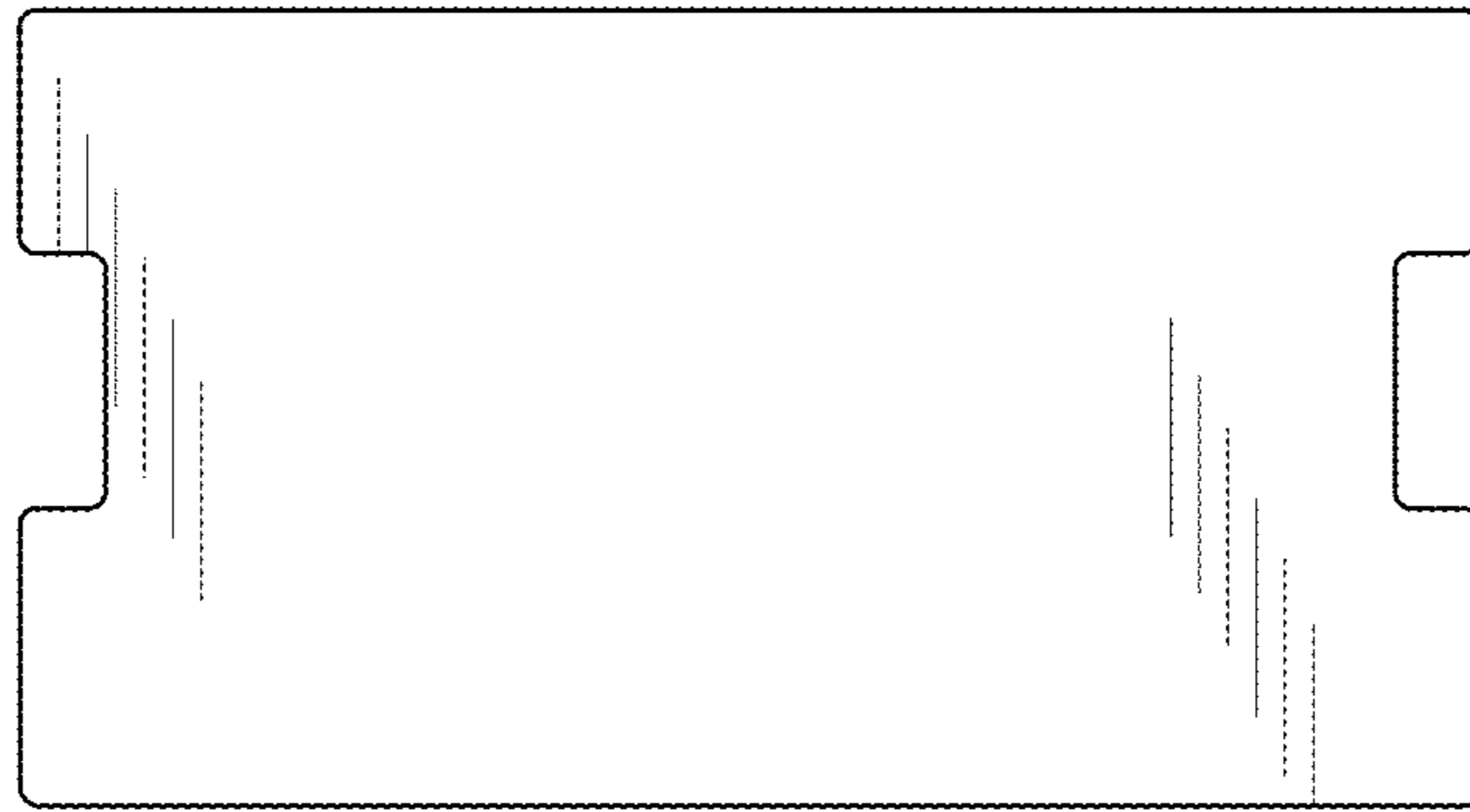


FIG. 5

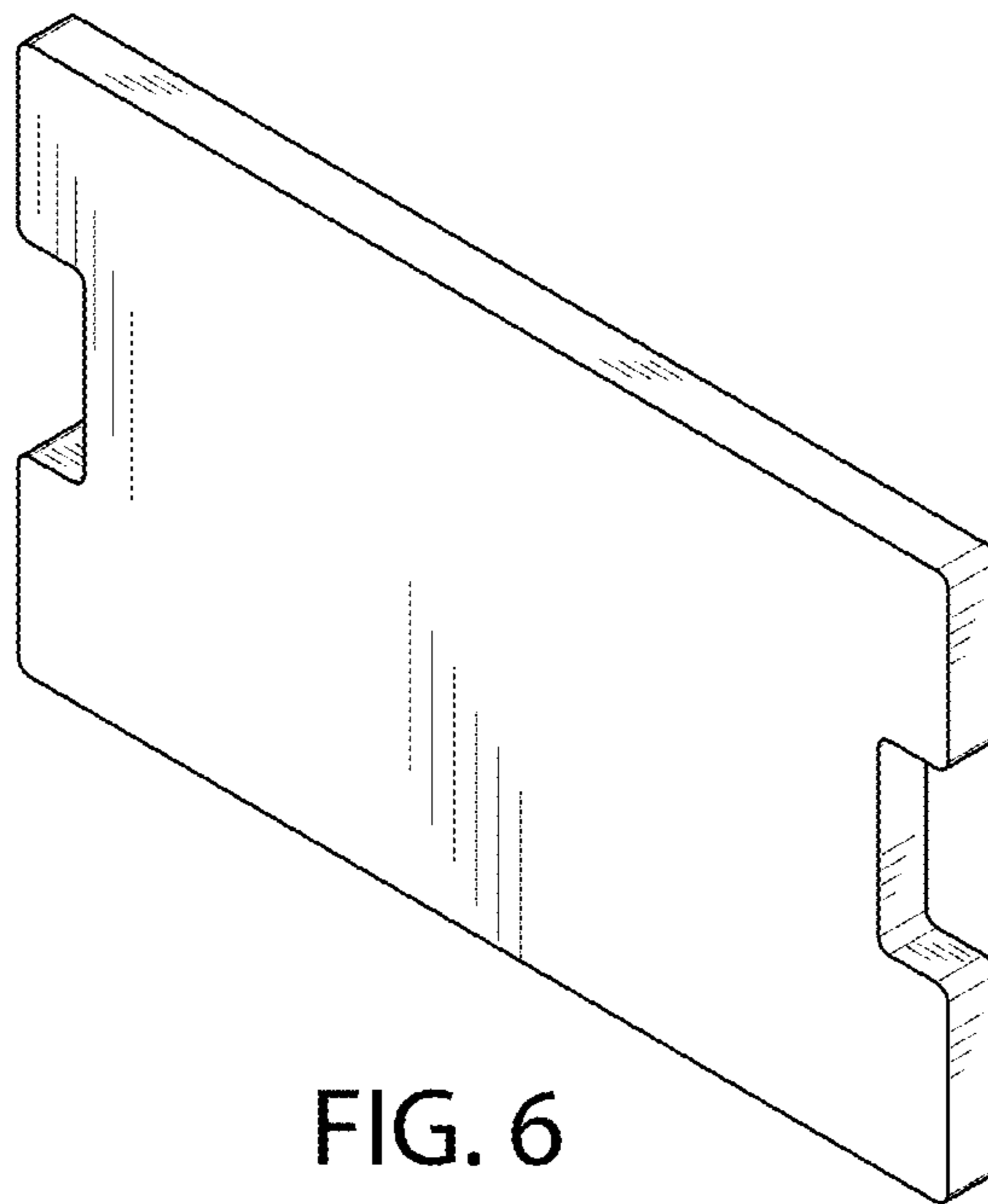


FIG. 6

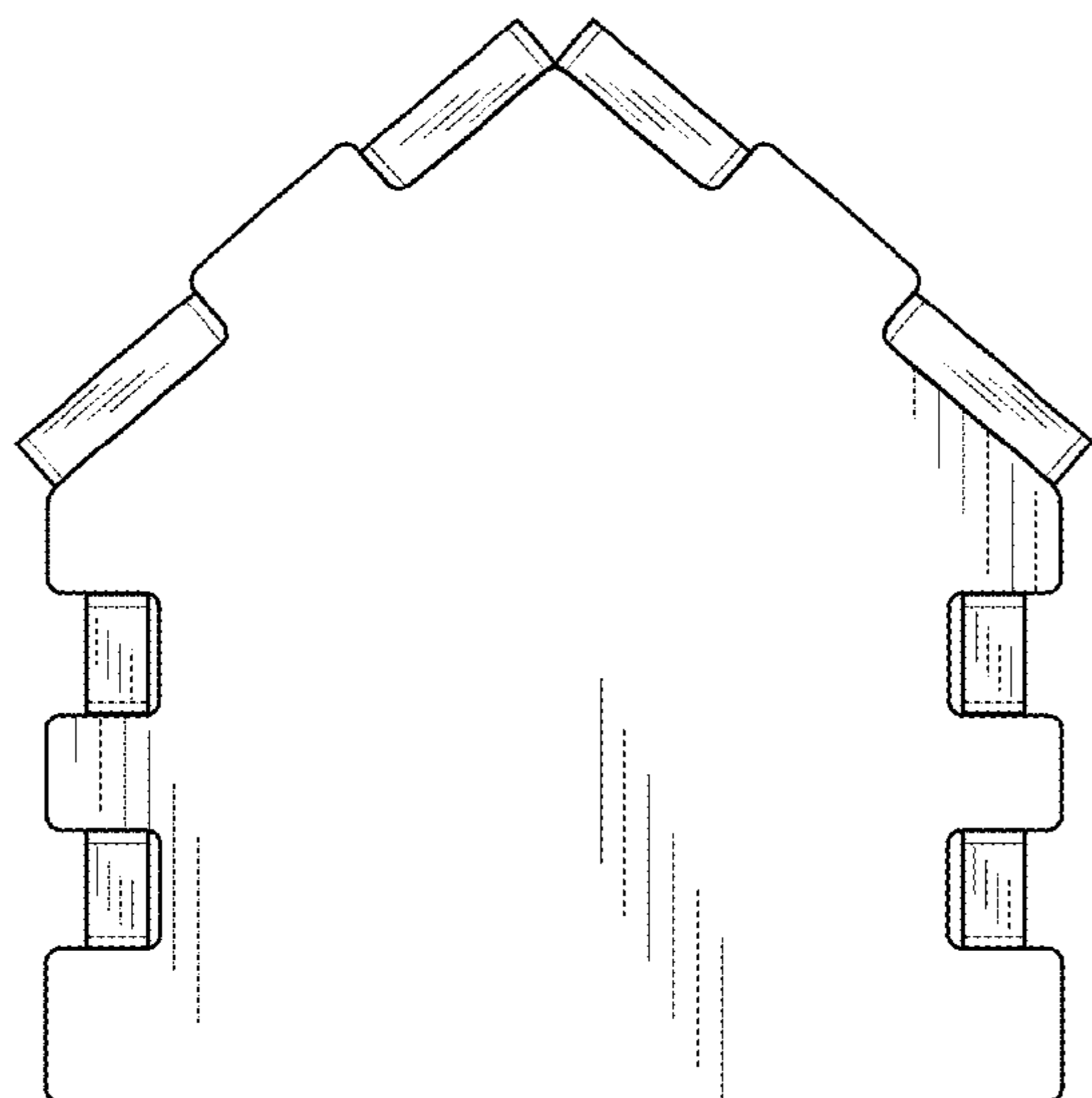


FIG. 7

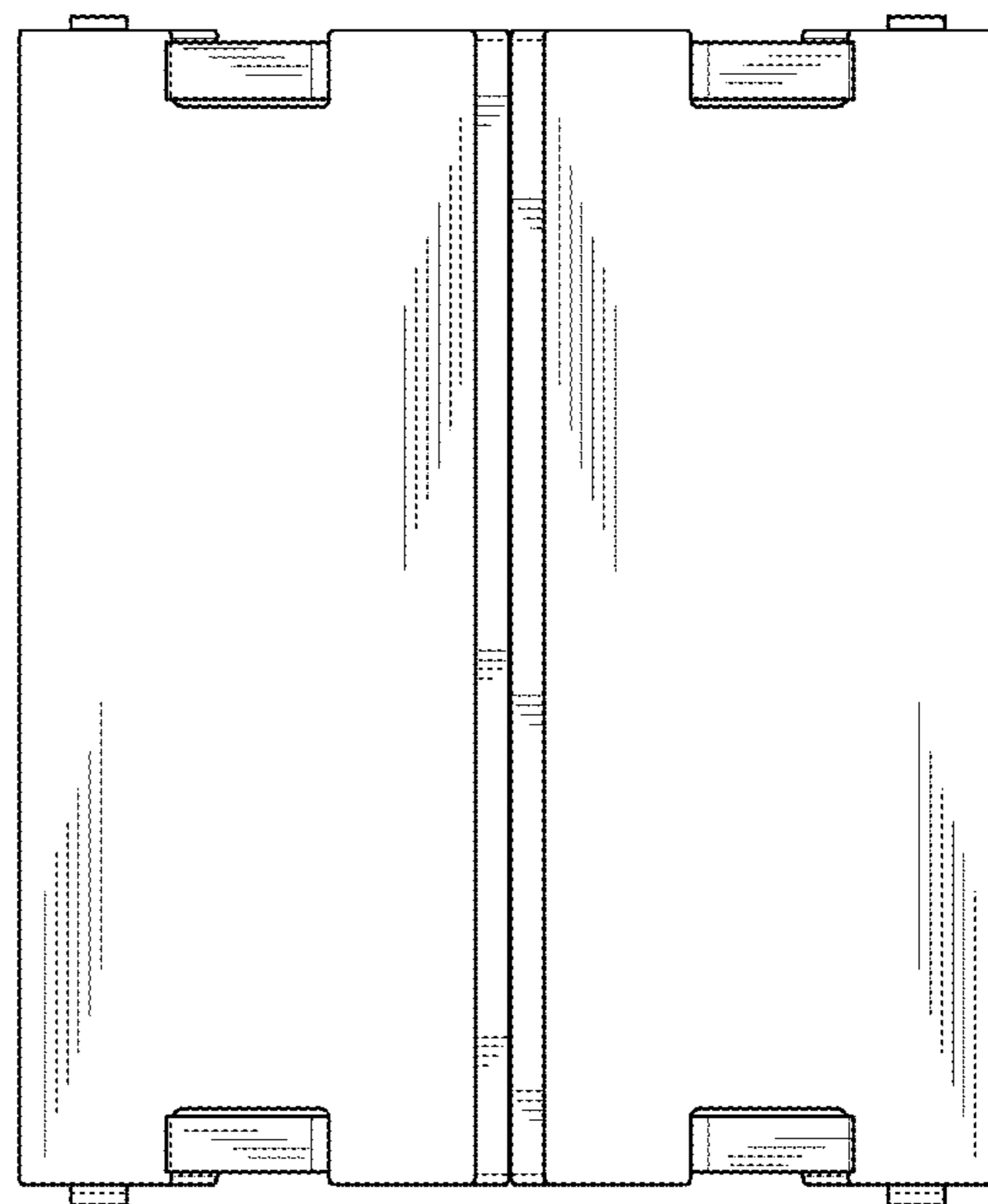


FIG. 8

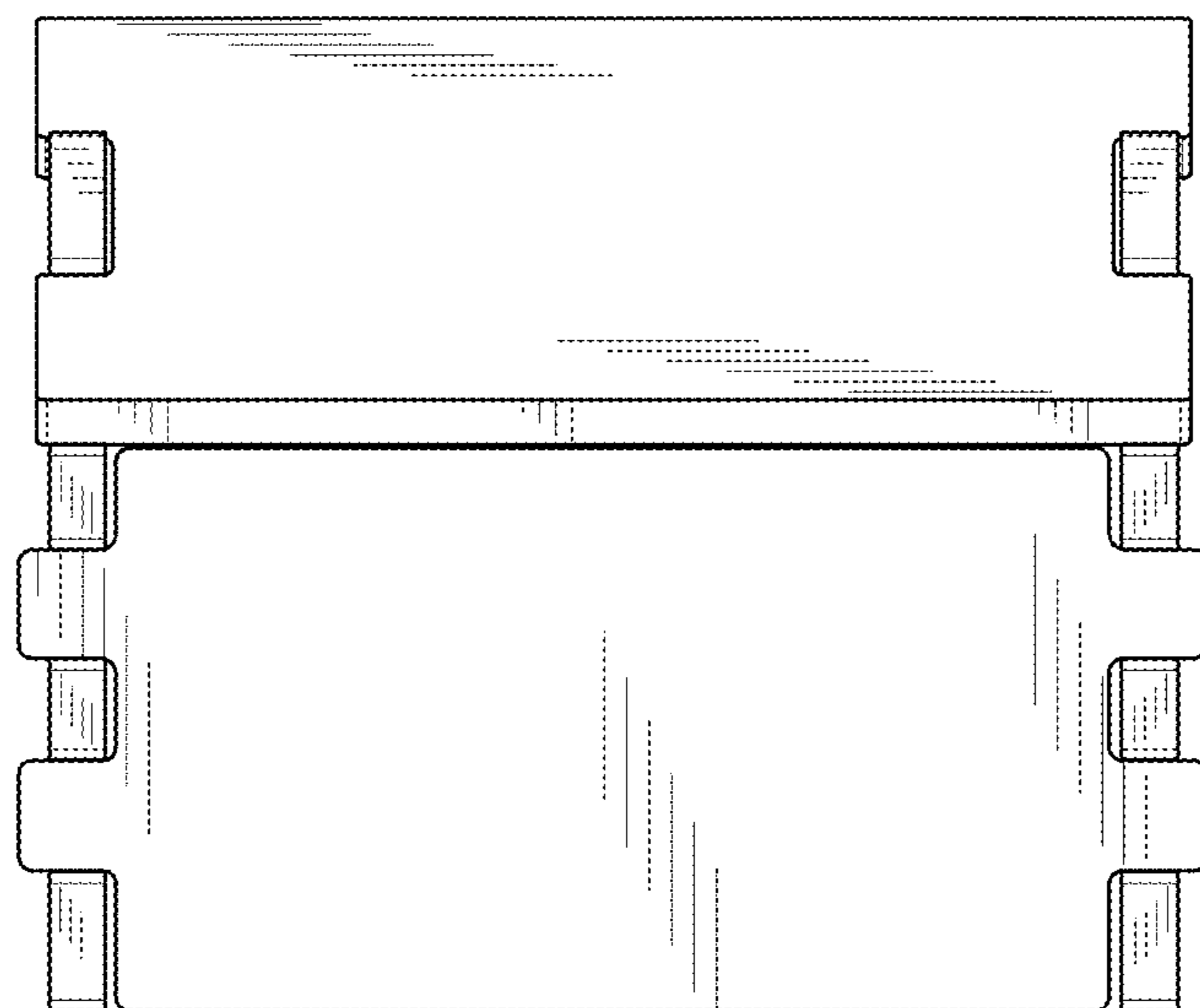


FIG. 9

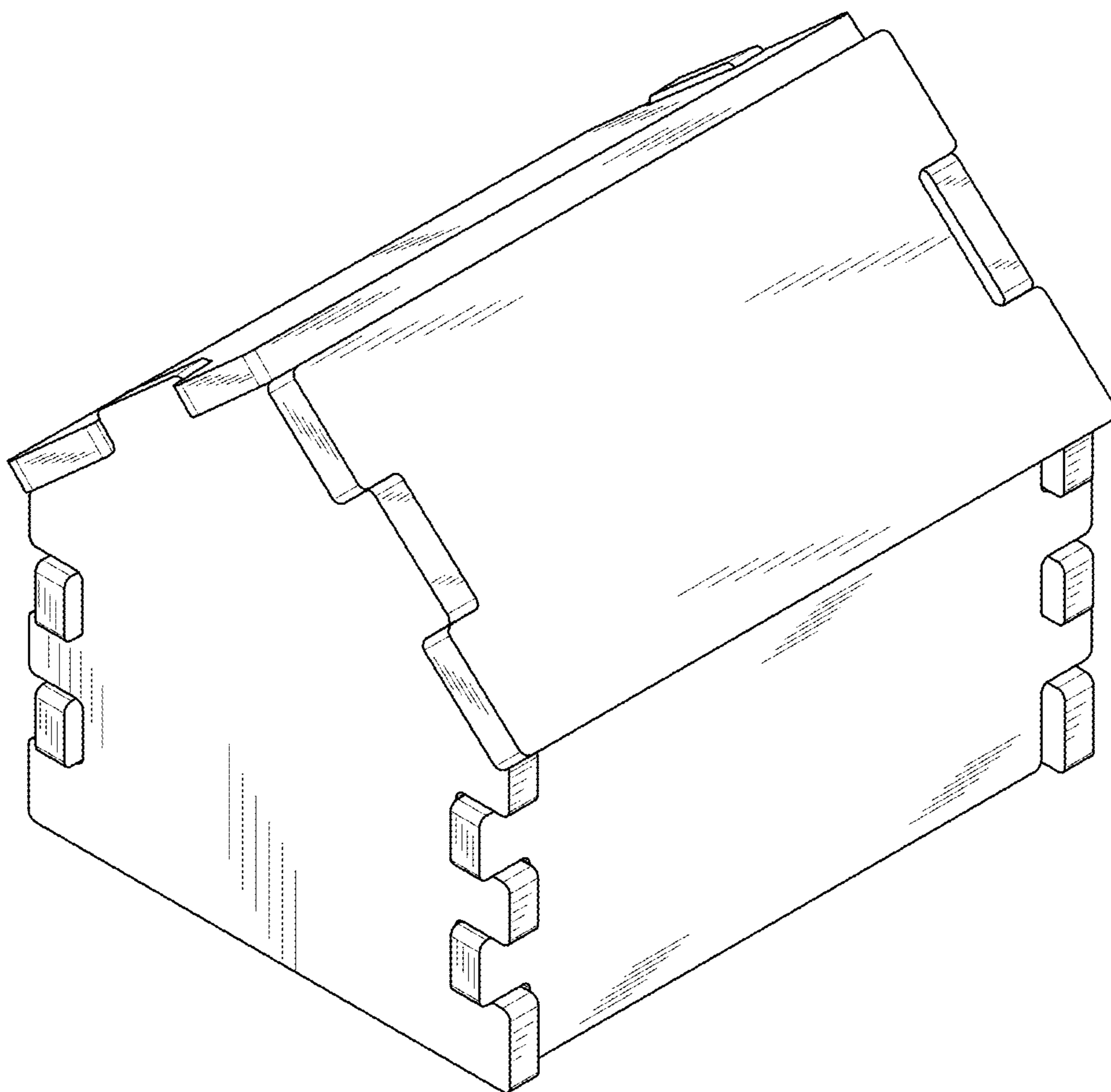


FIG. 10