

US00D867715S

(12) **United States Design Patent** (10) **Patent No.:** **US D867,715 S**
Nelson et al. (45) **Date of Patent:** **** Nov. 19, 2019**

(54) **AUTOMATED TRANSACTION MACHINE**

(71) Applicant: **Diebold Nixdorf Incorporated**, North Canton, OH (US)

(72) Inventors: **Donald Nelson**, Akron, OH (US); **Dahae Yi**, Akron, OH (US); **Sergio de Oliveira**, Massillon, OH (US); **Scott Dailey**, Ann Arbor, MI (US)

(73) Assignee: **Diebold Nixdorf, Incorporated**, North Canton, OH (US)

(**) Term: **15 Years**

(21) Appl. No.: **29/678,380**

(22) Filed: **Jan. 28, 2019**

Related U.S. Application Data

(63) Continuation of application No. 29/601,422, filed on Apr. 21, 2017, now Pat. No. Des. 839,529, which is a continuation of application No. 29/581,847, filed on Oct. 21, 2016, now abandoned, and a continuation of (Continued)

(51) **LOC (12) Cl.** **99-00**

(52) **U.S. Cl.**
USPC **D99/28**

(58) **Field of Classification Search**
USPC D99/28, 34, 35, 36, 43, 99;

D14/300-302, 305, 307, 900-902;
D18/3.1-3.3, 4.1-4.6, 12.1-12.3;
D21/324, 325, 329, 369, 370; 101/66;
109/1 R, 1 V, 2, 23, 24.1, 25, 58, 58.5,
109/66; 446/8-13; 705/16, 17, 18, 42,
705/43, 44, 45; 235/51, 379, 380, 381,
235/382, 382.5, 386; 206/0.8, 0.81,
206/0.815, 0.82, 0.84

CPC .. G06Q 20/10; G06Q 20/108; G06Q 20/1085;
G06Q 20/18; G07D 1/00; G07D 1/02;
G07D 1/04; G07D 1/06; G07D 11/00;
G07D 9/002; G07D 9/04; G07F 19/20;
G07F 19/201; G07F 19/202; G07F

19/203; G07F 19/204; G07F 19/105;
G07F 19/21; G07F 19/00; G07F 7/04;
G07F 5/00; G07F 1/00; E05G 7/001;
E05G 1/006; A63H 33/00; A63H 33/005
See application file for complete search history.

(56) **References Cited**

U.S. PATENT DOCUMENTS

D395,129 S * 6/1998 Johnson D14/130
D415,330 S * 10/1999 King D14/900
D419,277 S * 1/2000 Ishii D99/28

(Continued)

Primary Examiner — Elizabeth J Oswecki

(74) *Attorney, Agent, or Firm* — Black, McCuskey, Souers & Arbaugh, LPA

(57) **CLAIM**

The ornamental design for an automated transaction machine, as shown and described.

DESCRIPTION

FIG. 1 is a perspective view of an automated transaction machine showing our new design.

FIG. 2 is a front view of the automated transaction machine of FIG. 1.

FIG. 3 is a rear view of the automated transaction machine of FIG. 1.

FIG. 4 is a left view of the automated transaction machine of FIG. 1.

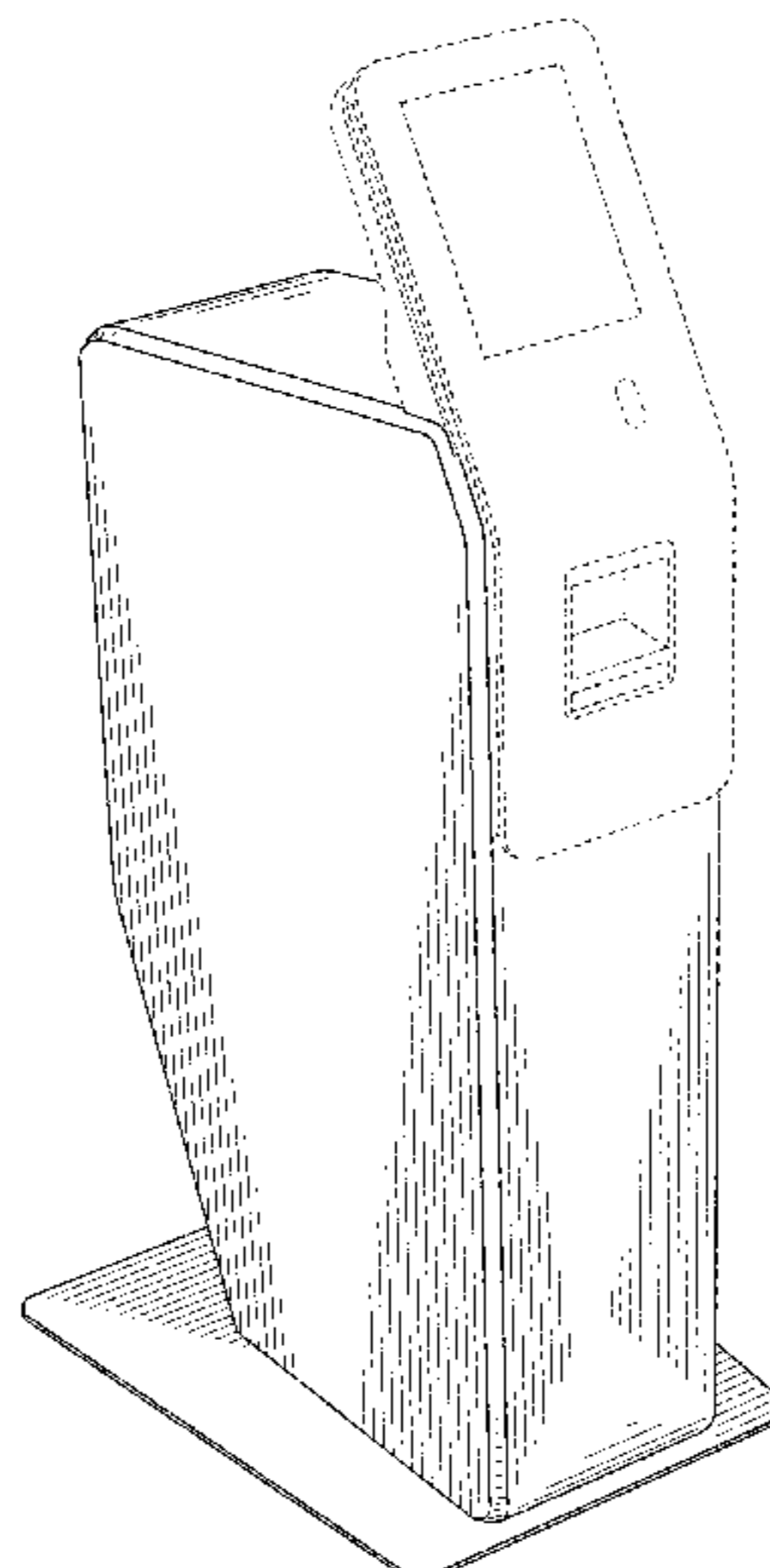
FIG. 5 is a right view of the automated transaction machine of FIG. 1.

FIG. 6 is a top view of the automated transaction machine of FIG. 1; and,

FIG. 7 is a bottom view of the automated transaction machine of FIG. 1.

The broken lines shown in the drawings represent portions of the automated transaction machine that form no part of the claimed design.

1 Claim, 7 Drawing Sheets



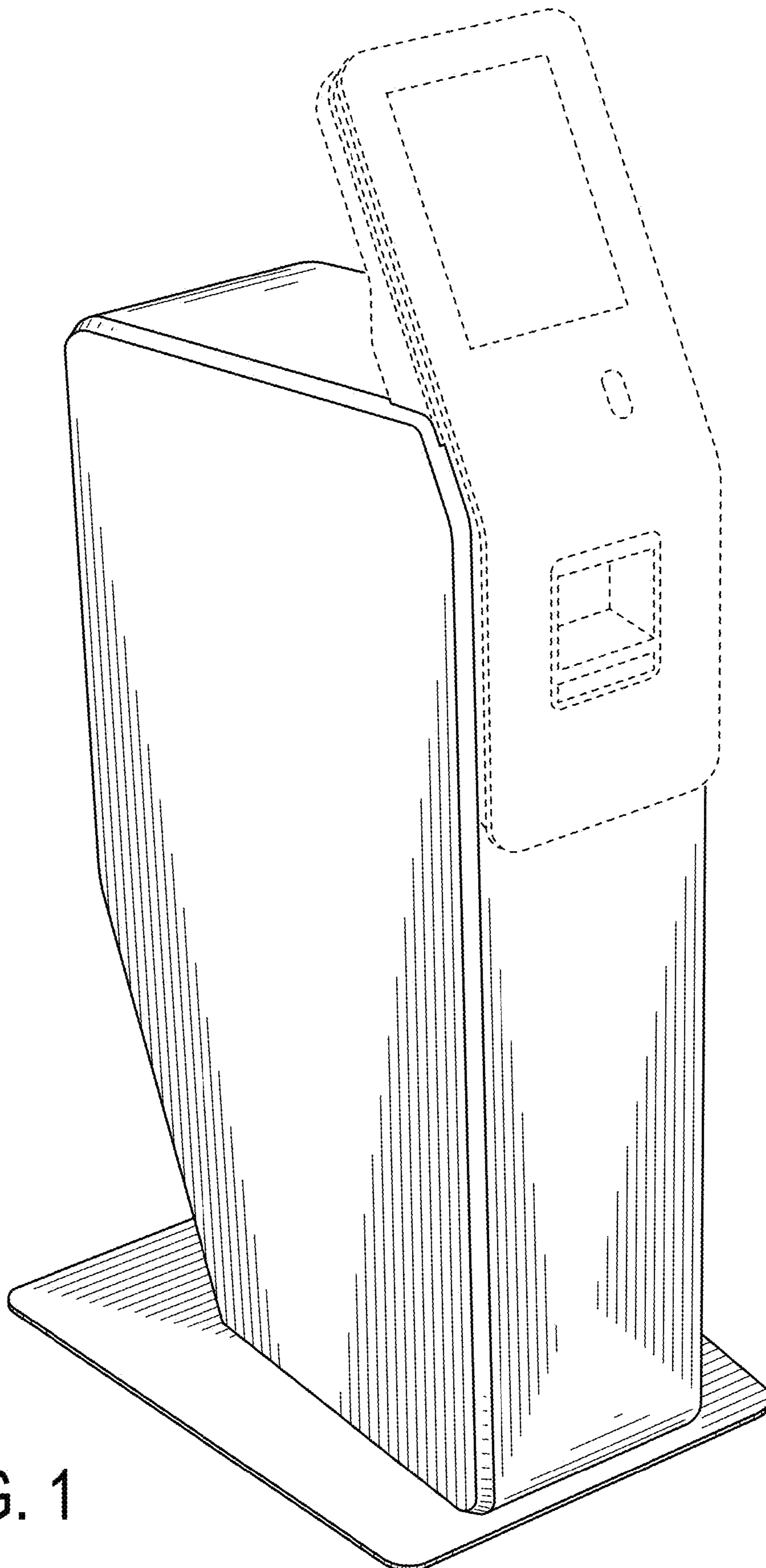


FIG. 1

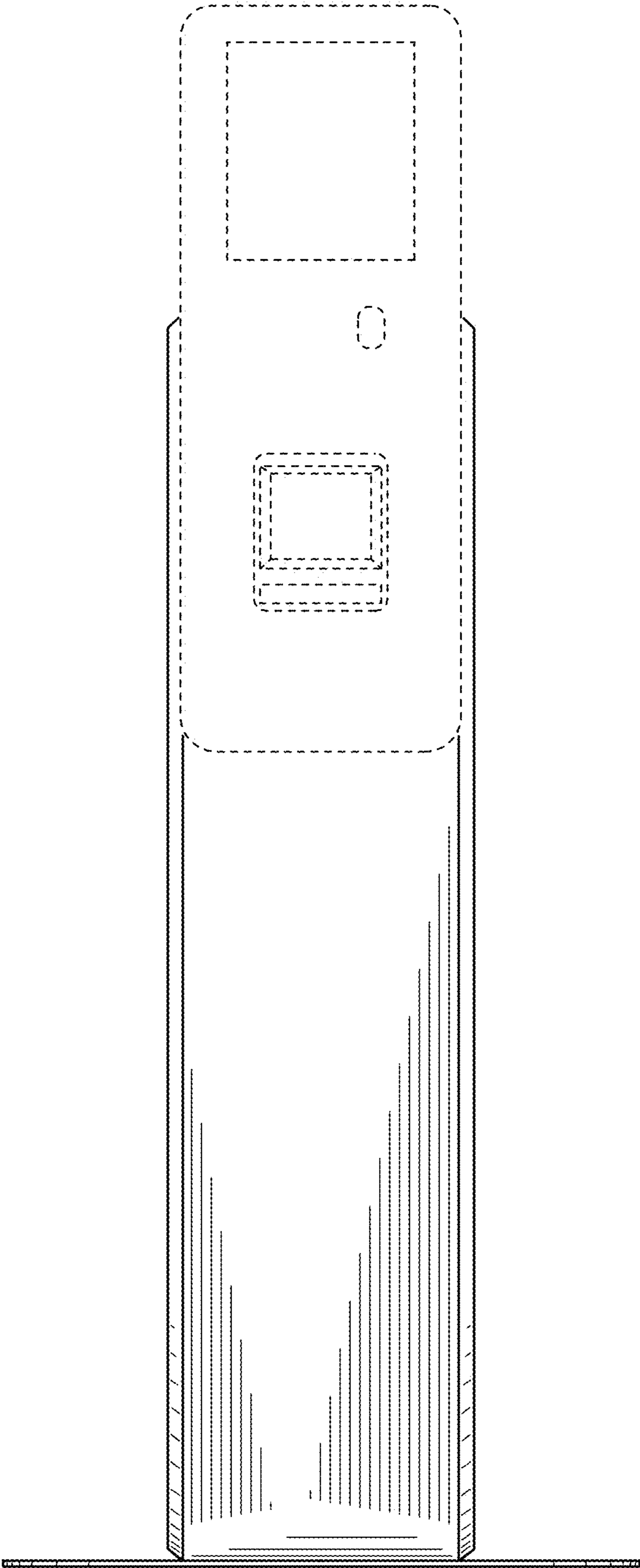


FIG. 2

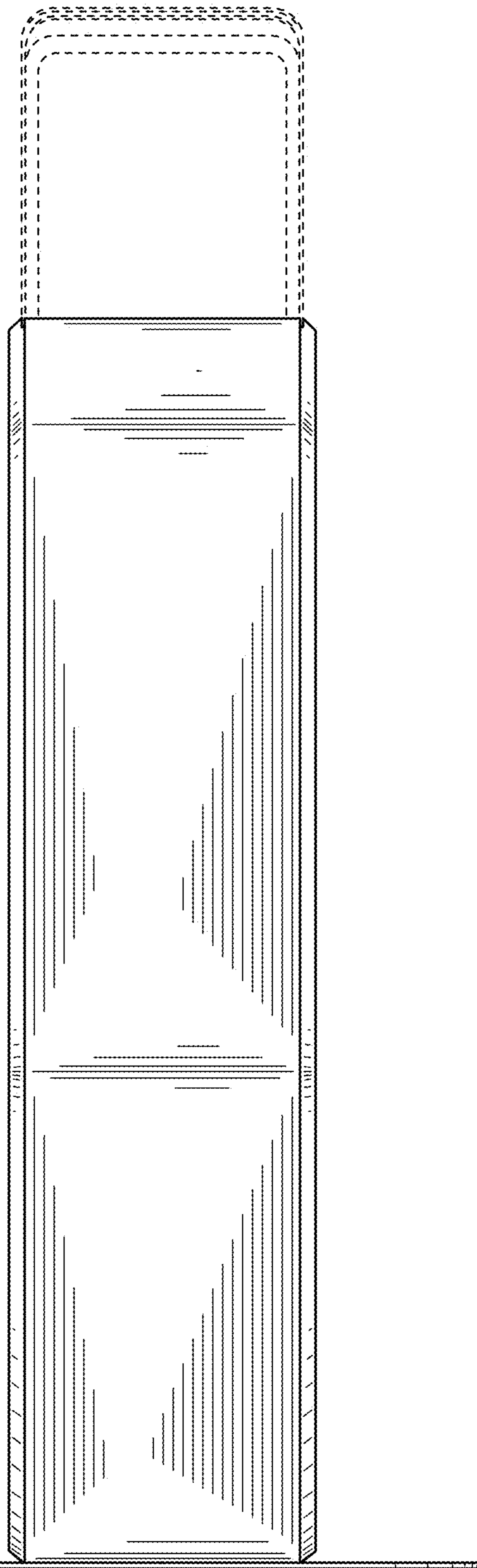


FIG. 3

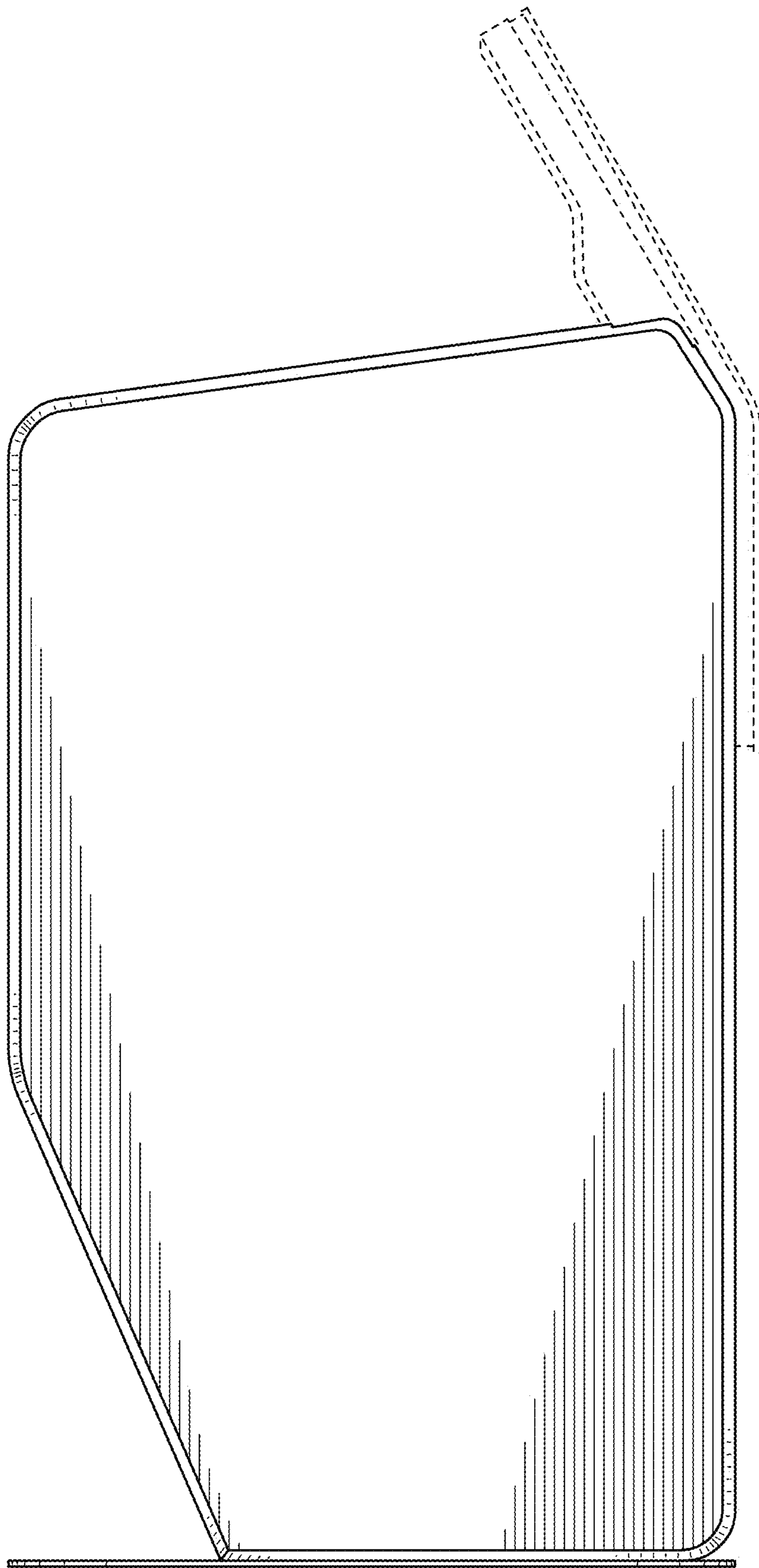


FIG. 4

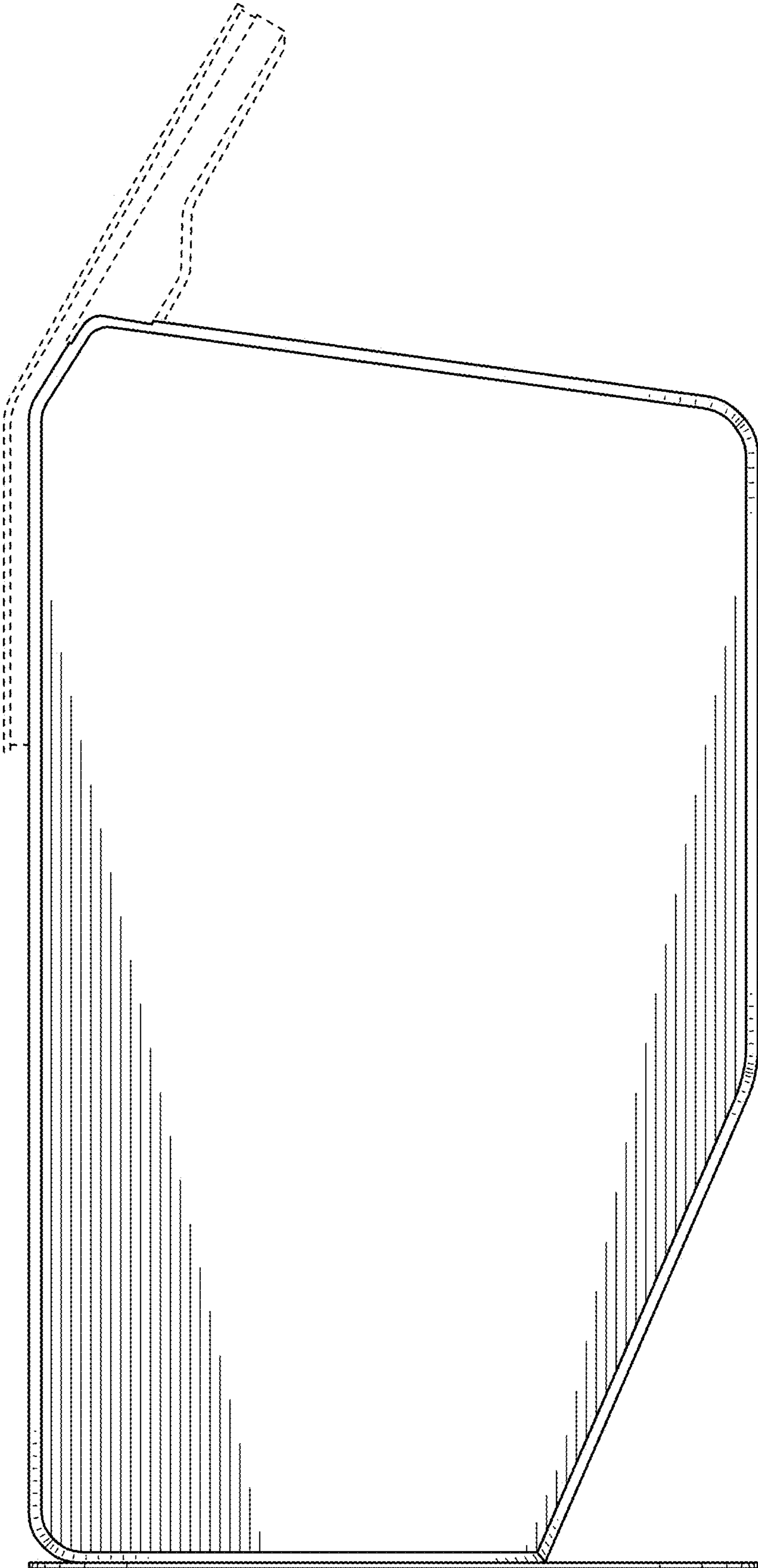


FIG. 5

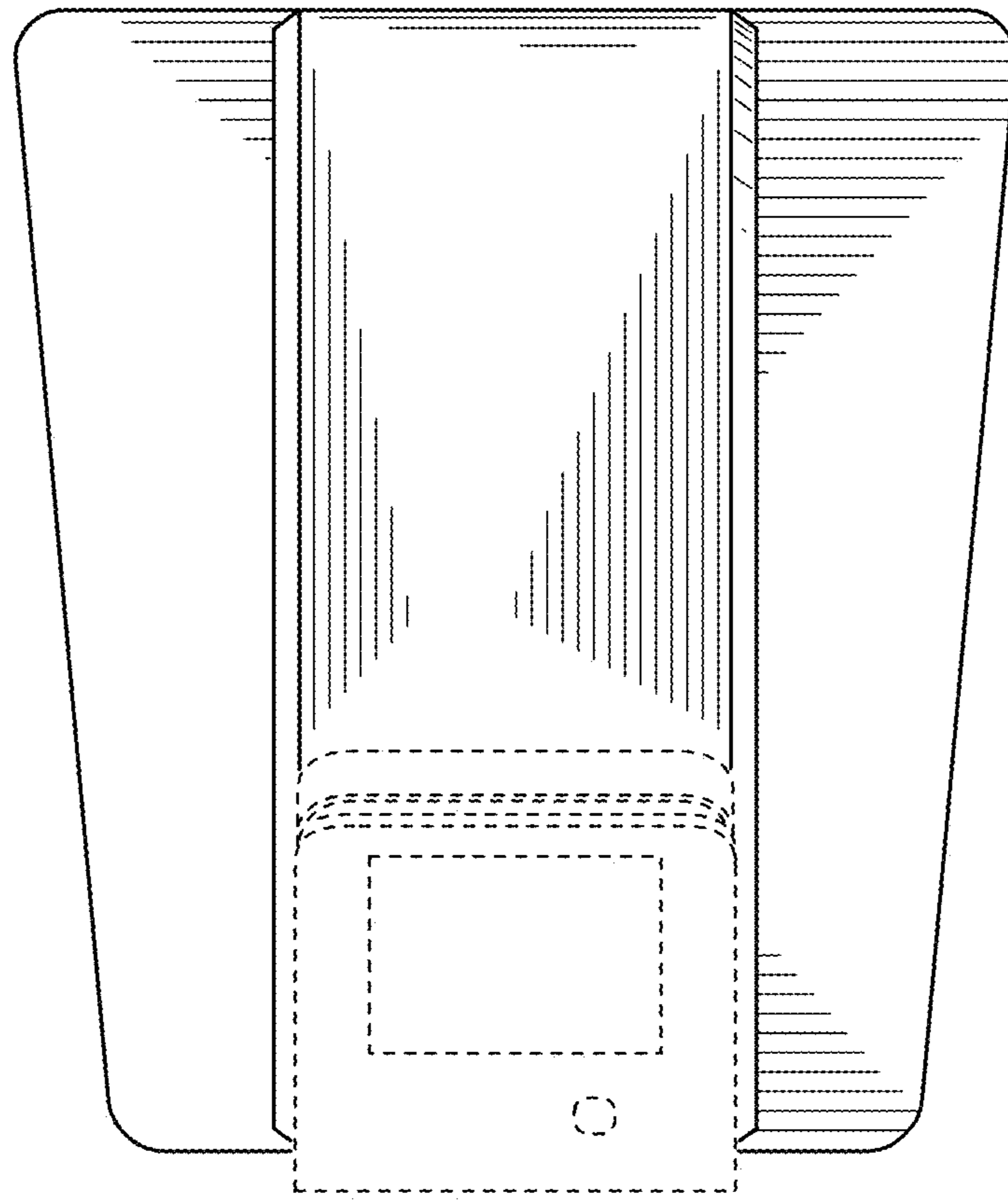


FIG. 6

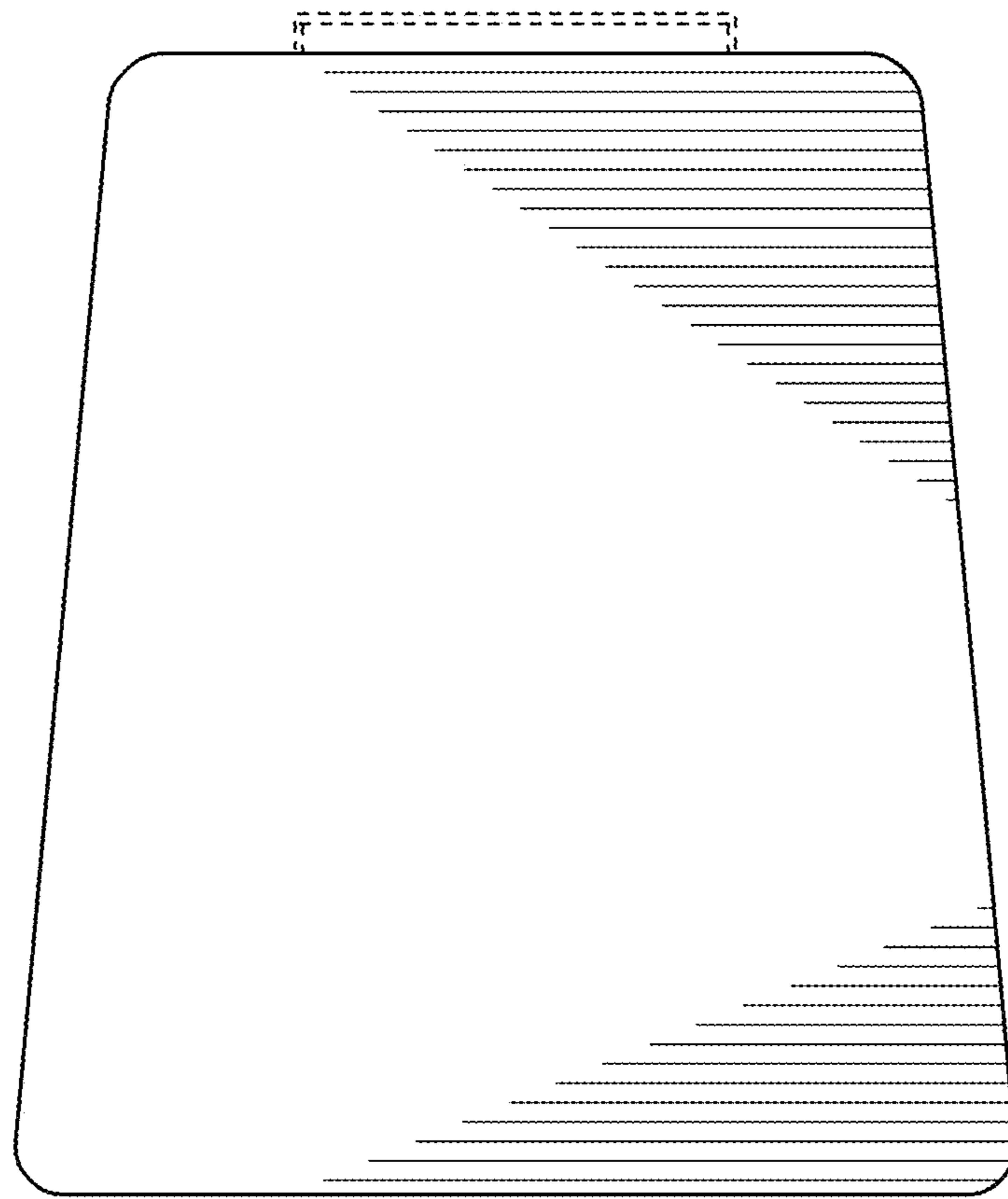


FIG. 7