

US00D867714S

(12) **United States Design Patent** (10) **Patent No.:** **US D867,714 S**
Christensen et al. (45) **Date of Patent:** **** Nov. 19, 2019**

(54) **COVER FOR A WINCH ASSEMBLY**
(71) Applicant: **Dutton-Lainson Company**, Hastings, NE (US)
(72) Inventors: **Brad Nels Christensen**, Lincoln, NE (US); **Brandon William Miller**, Hastings, NE (US); **Zane Alexander Norton**, Hastings, NE (US); **Todd J. Yost**, Fairfield, NE (US); **Jeffrey L. Dobbins**, Grand Island, NE (US); **Milan Norton**, Hastings, NE (US); **Bang Brian Tran**, Hastings, NE (US)

(73) Assignee: **DUTTON-LAINSON COMPANY**, Hastings, NE (US)

(**) Term: **15 Years**

(21) Appl. No.: **29/646,539**

(22) Filed: **May 4, 2018**

(51) **LOC (12) Cl.** **12-05**

(52) **U.S. Cl.**
USPC **D34/33**

(58) **Field of Classification Search**
USPC D34/32, 33
CPC ... B66D 1/04; B66D 1/14; B66D 1/08; B66D 3/006; E21B 19/22
See application file for complete search history.

(56) **References Cited**

U.S. PATENT DOCUMENTS

3,939,729	A	2/1976	Brockelsby	
4,215,850	A	8/1980	Haase et al.	
5,374,035	A	12/1994	Santos	
D364,027	S	11/1995	Hung	
5,573,091	A	11/1996	Hung	
D407,883	S *	4/1999	Okerlund	D34/33
D427,408	S *	6/2000	Daniels	D34/33

6,116,580	A	9/2000	Hull	
7,017,887	B1	3/2006	Verakis	
D595,921	S *	7/2009	Walstrom	D34/33
7,967,278	B2	6/2011	Anderson et al.	
D657,931	S *	4/2012	Anderson	D34/33
D675,395	S *	1/2013	Anderson	D34/33
8,360,399	B2	1/2013	Lundrigan	
8,657,260	B2	2/2014	Anderson et al.	
8,695,945	B2	4/2014	Guyard	
8,720,865	B2	5/2014	Anderson et al.	
9,206,022	B2	12/2015	Burneister et al.	
D839,527	S *	1/2019	Goetsch	D34/33
D844,927	S *	4/2019	Walstrom	D34/33
2010/0148139	A1 *	6/2010	Anderson	B60P 3/1066 254/357
2011/0278521	A1 *	11/2011	Okerlund	B66D 3/02 254/344
2012/0181492	A1 *	7/2012	Matos	B66D 1/12 254/323

* cited by examiner

Primary Examiner — Cynthia Ramirez

(74) *Attorney, Agent, or Firm* — Michael S. Hargis; King & Schickli, PLLC

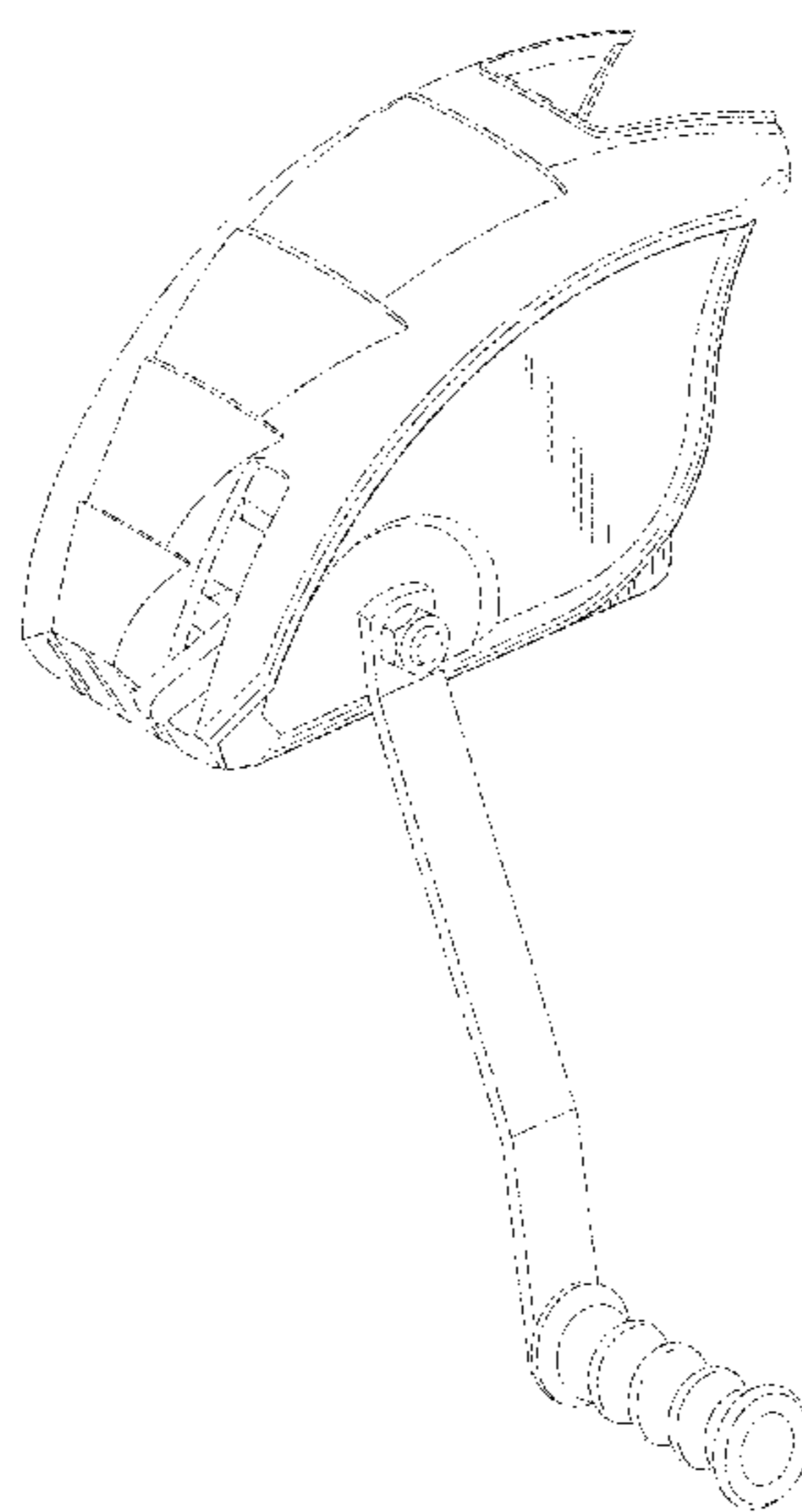
(57) **CLAIM**

The ornamental design for a cover for a winch assembly, as shown and described.

DESCRIPTION

FIG. 1 is a perspective view of a cover for a winch assembly showing our new design;
FIG. 2 is a front view thereof;
FIG. 3 is a top view thereof;
FIG. 4 is a right side view thereof; and,
FIG. 5 is a left side view thereof.
The broken lines in the figures are for the purpose of illustrating portions of the cover for a winch assembly that form no part of the claimed design.

1 Claim, 5 Drawing Sheets



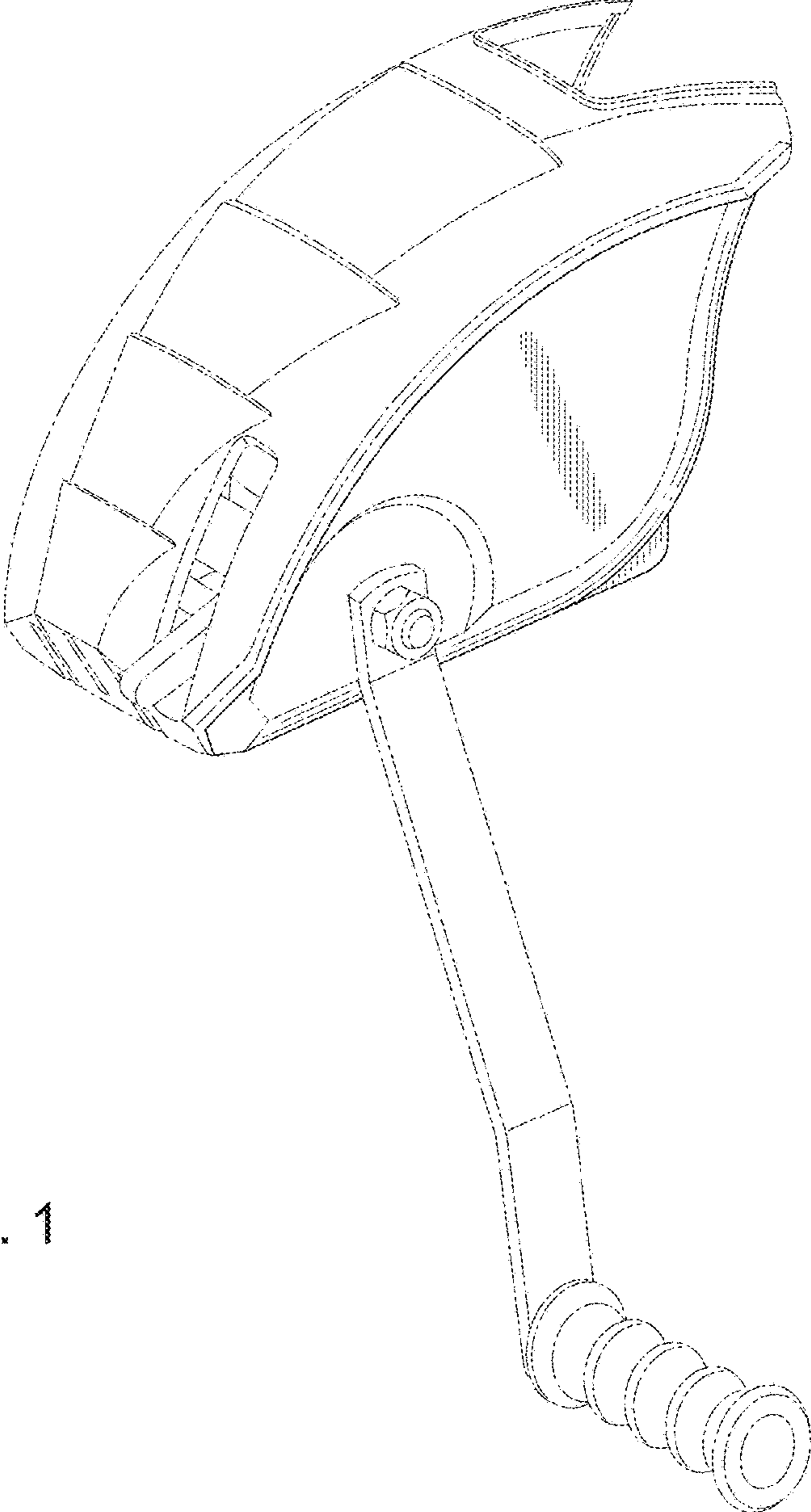
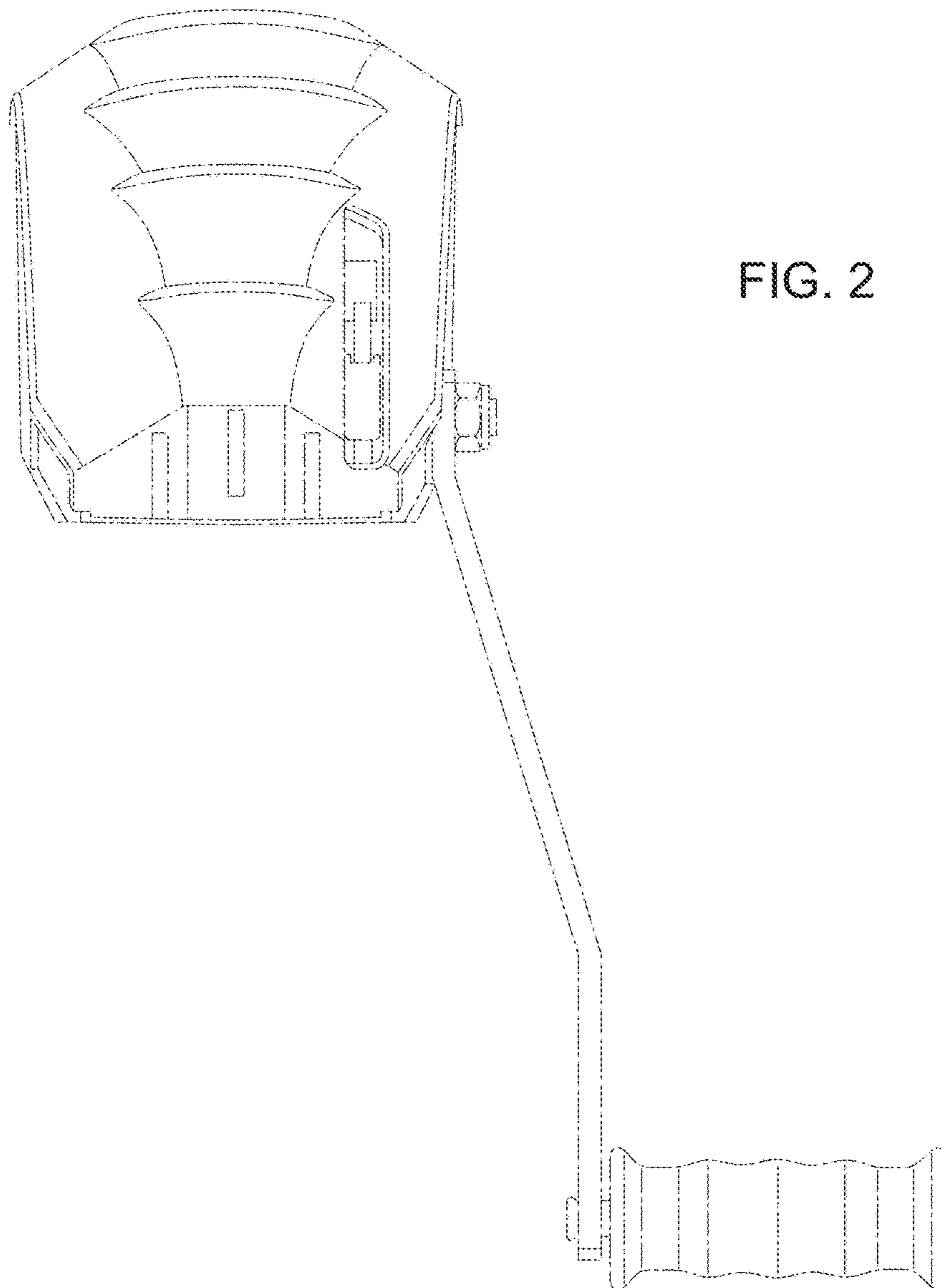


FIG. 1



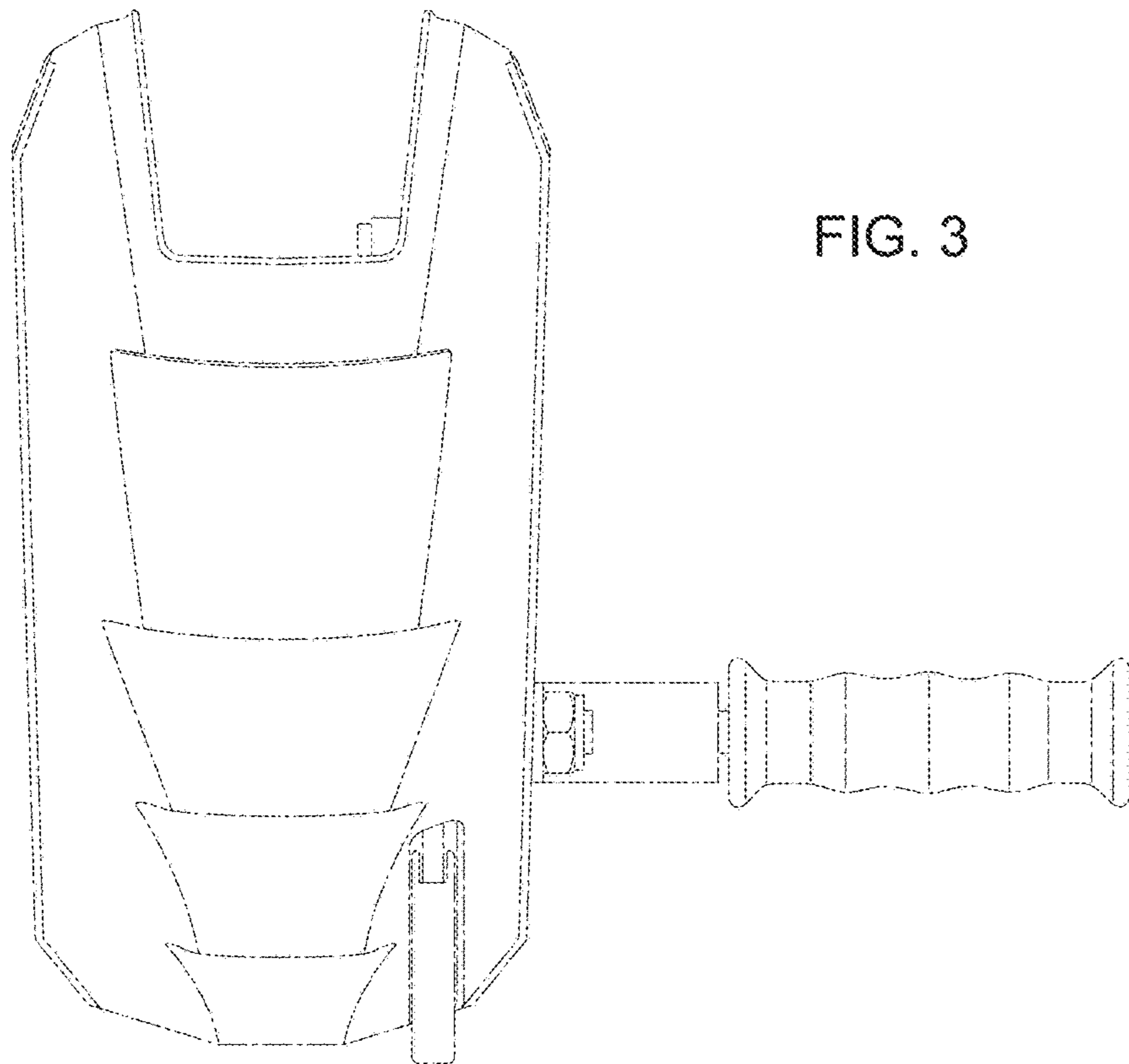


FIG. 3

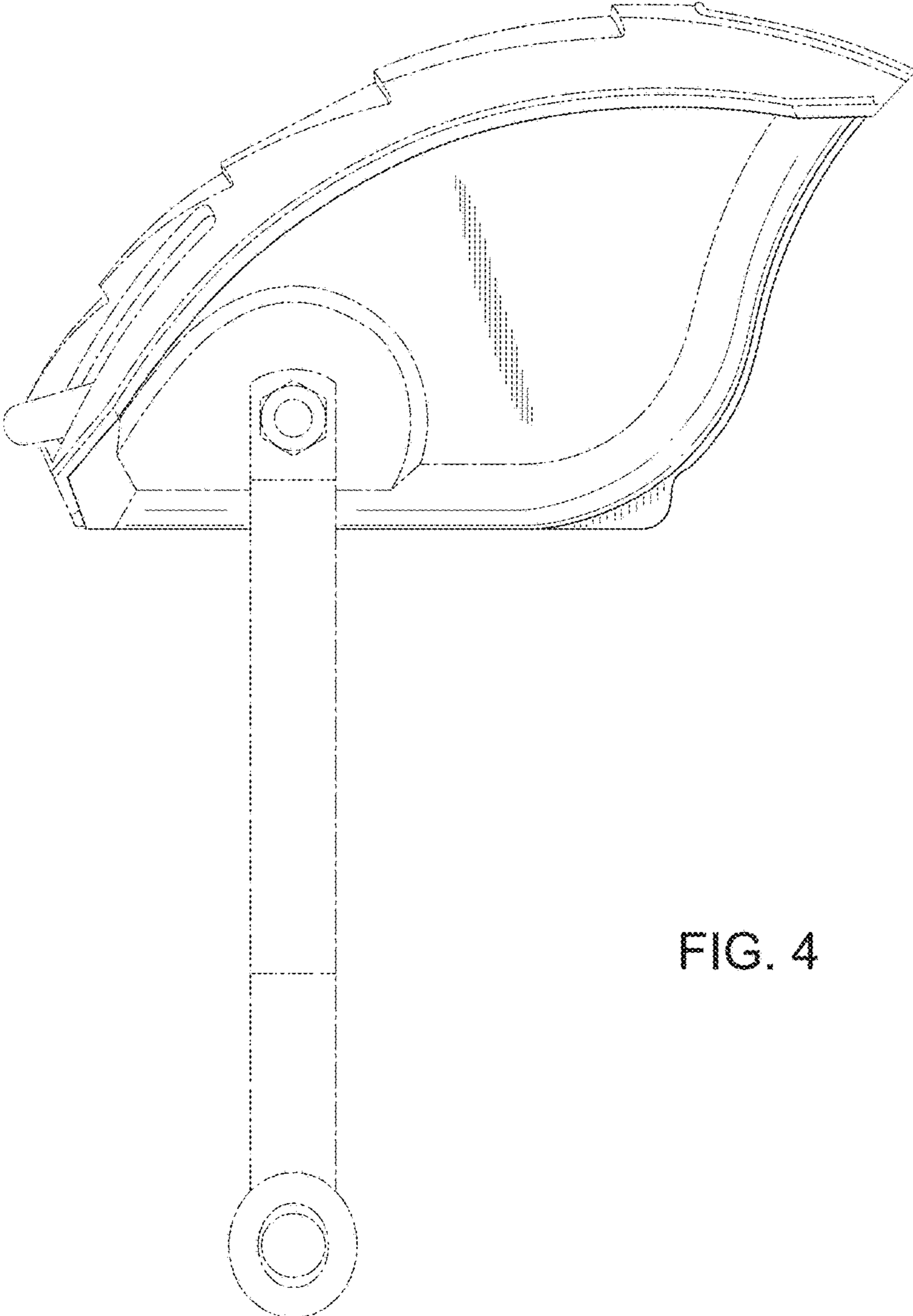


FIG. 4

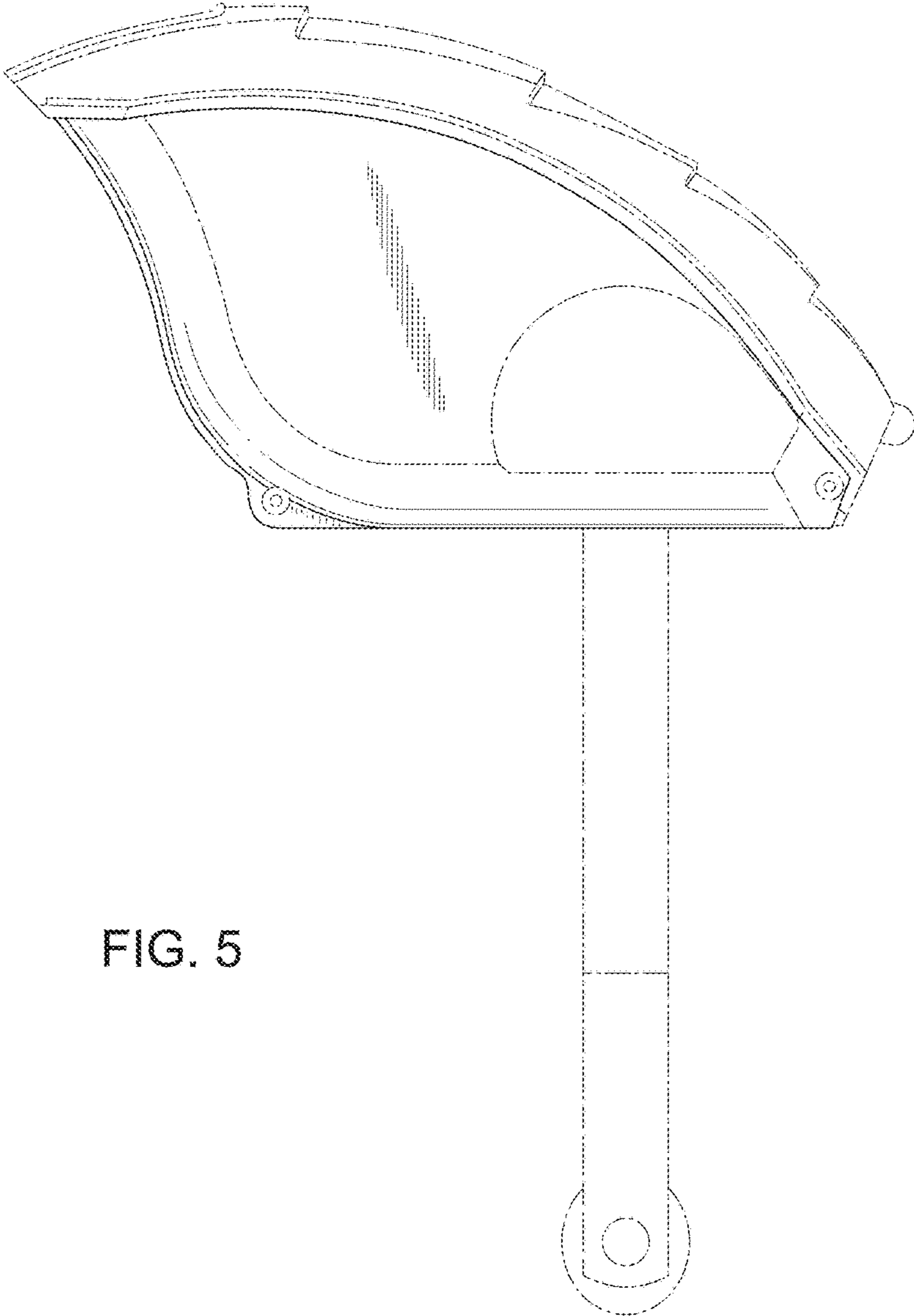


FIG. 5