

US00D867712S

(12) **United States Design Patent** (10) **Patent No.:** **US D867,712 S**
Huang (45) **Date of Patent:** **** Nov. 19, 2019**

- (54) **LIMITLESS LIFT HOIST**
- (71) Applicant: **Comeup Industries Inc.**, Taipei (TW)
- (72) Inventor: **Shih-Jyi Huang**, Taipei (TW)
- (73) Assignee: **Comeup Industries Inc.**, Taipei (TW)
- (**) Term: **15 Years**
- (21) Appl. No.: **29/625,523**
- (22) Filed: **Nov. 10, 2017**
- (51) **LOC (12) Cl.** **12-05**
- (52) **U.S. Cl.**
USPC **D34/33**
- (58) **Field of Classification Search**
USPC 254/11, 12, 15, 120, 134, 2 R, 418, 45,
254/84, 88, 8 R, 93 H, 93 R; D34/28, 31,
D34/35; D8/499
CPC B66F 1/00; B66F 1/06; B66F 3/00; B66F
5/00
See application file for complete search history.

D741,039	S	*	10/2015	Huang	D34/33
D744,188	S	*	11/2015	van der Zijde	D34/33
D798,523	S	*	9/2017	Jakubowski	D34/33
D811,683	S	*	2/2018	Frazier	D34/33
10,138,099	B2	*	11/2018	Huang	B66D 1/00
D837,477	S	*	1/2019	Huang	D34/33
2015/0090946	A1	*	4/2015	Schwaiger	B66D 3/26 254/362

* cited by examiner

Primary Examiner — Cynthia Ramirez
Assistant Examiner — Michael A Maharajh
(74) *Attorney, Agent, or Firm* — Alan D. Kamrath; Karin L. Williams; Mayer & Williams PC

(57) **CLAIM**

The ornamental design for a limitless lift hoist, as shown and described.

DESCRIPTION

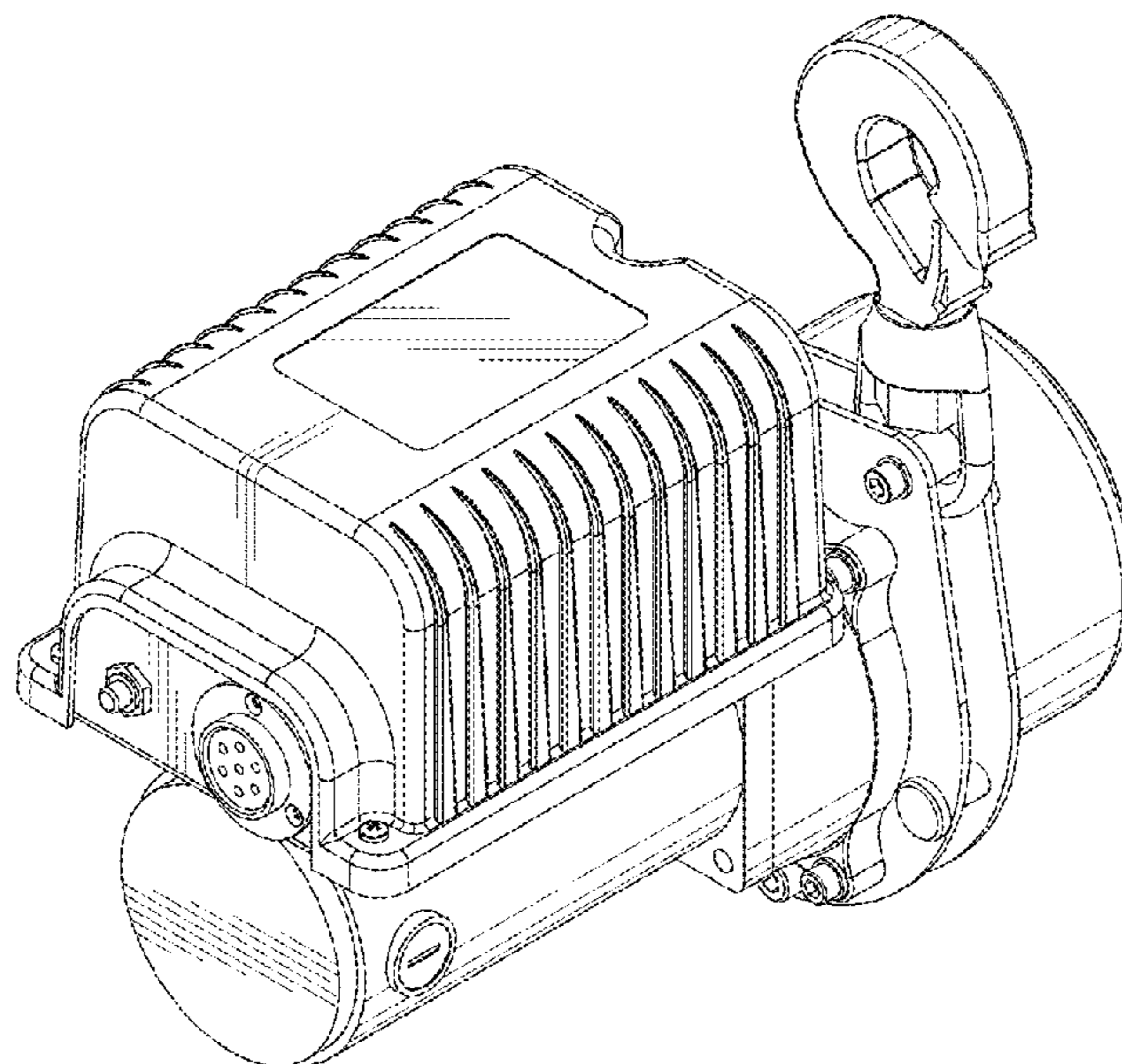
FIG. 1 is a perspective view of the limitless lift hoist showing my new design;
FIG. 2 is a front elevational view thereof;
FIG. 3 is a rear elevational view thereof;
FIG. 4 is a left side elevational view thereof;
FIG. 5 is a right side elevational view thereof;
FIG. 6 is a top plan view thereof;
FIG. 7 is a bottom plan view thereof;
FIG. 8 is an another perspective view thereof; and,
FIG. 9 is another perspective view shown in a condition of use.
The broken lines shown in FIG. 9 are for the purpose of illustrating environmental structure, which form no part of the claimed design.

1 Claim, 6 Drawing Sheets

(56) **References Cited**

U.S. PATENT DOCUMENTS

D298,078	S	*	10/1988	Stoker	D34/33
D524,508	S	*	7/2006	Lichtenvort	D34/33
D540,003	S	*	4/2007	Hagihara	D34/33
D674,163	S	*	1/2013	Tarkiainen	D34/33
D704,411	S	*	5/2014	Ishikawa	D34/33
D704,412	S	*	5/2014	Ishikawa	D34/33
D704,413	S	*	5/2014	Ishikawa	D34/33
D704,414	S	*	5/2014	Ishikawa	D34/33
D704,415	S	*	5/2014	Ishikawa	D34/33
D705,515	S	*	5/2014	Bernard	D34/33
D706,514	S	*	6/2014	Weingartner	D34/33



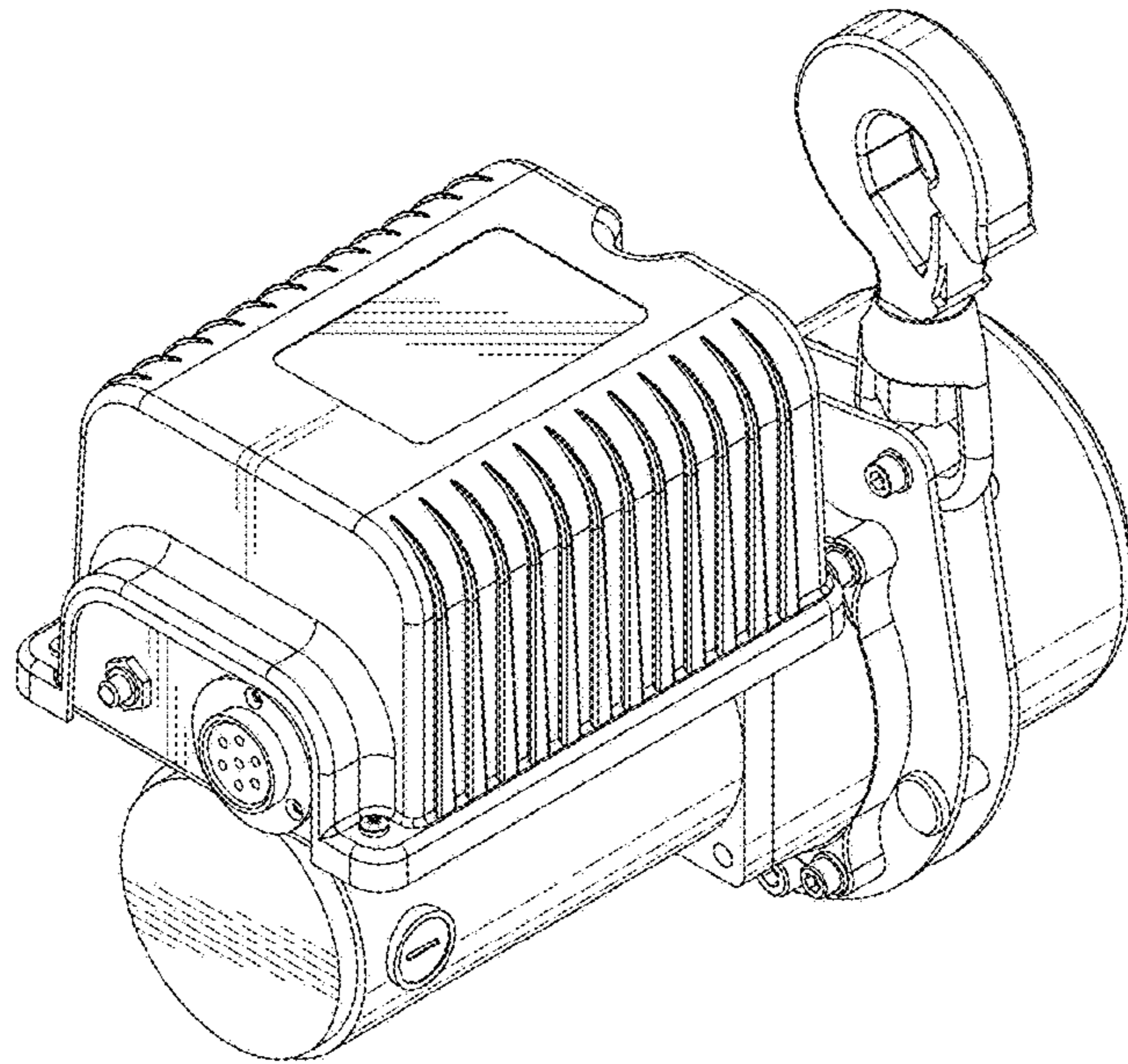


FIG. 1

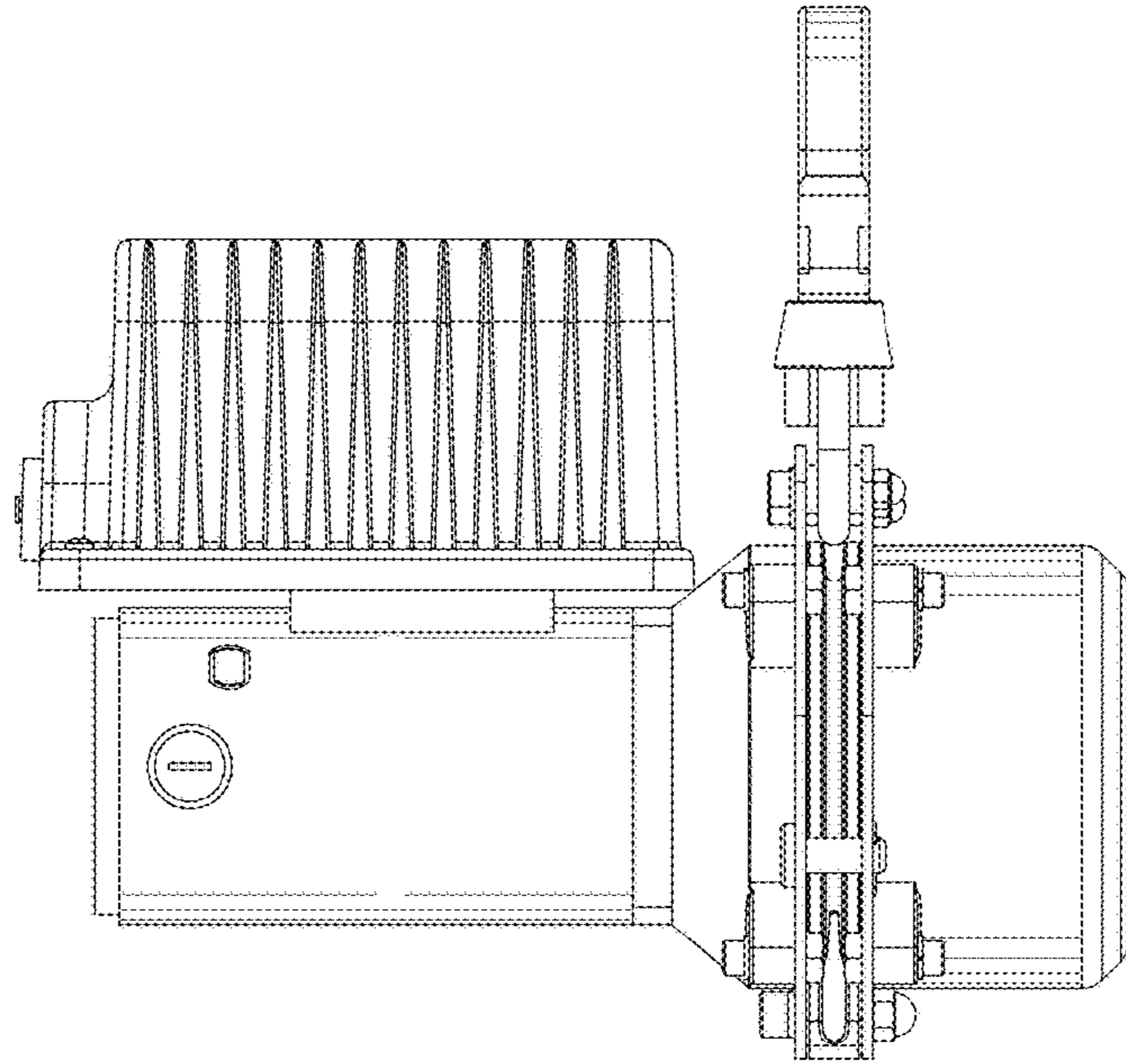


FIG. 2

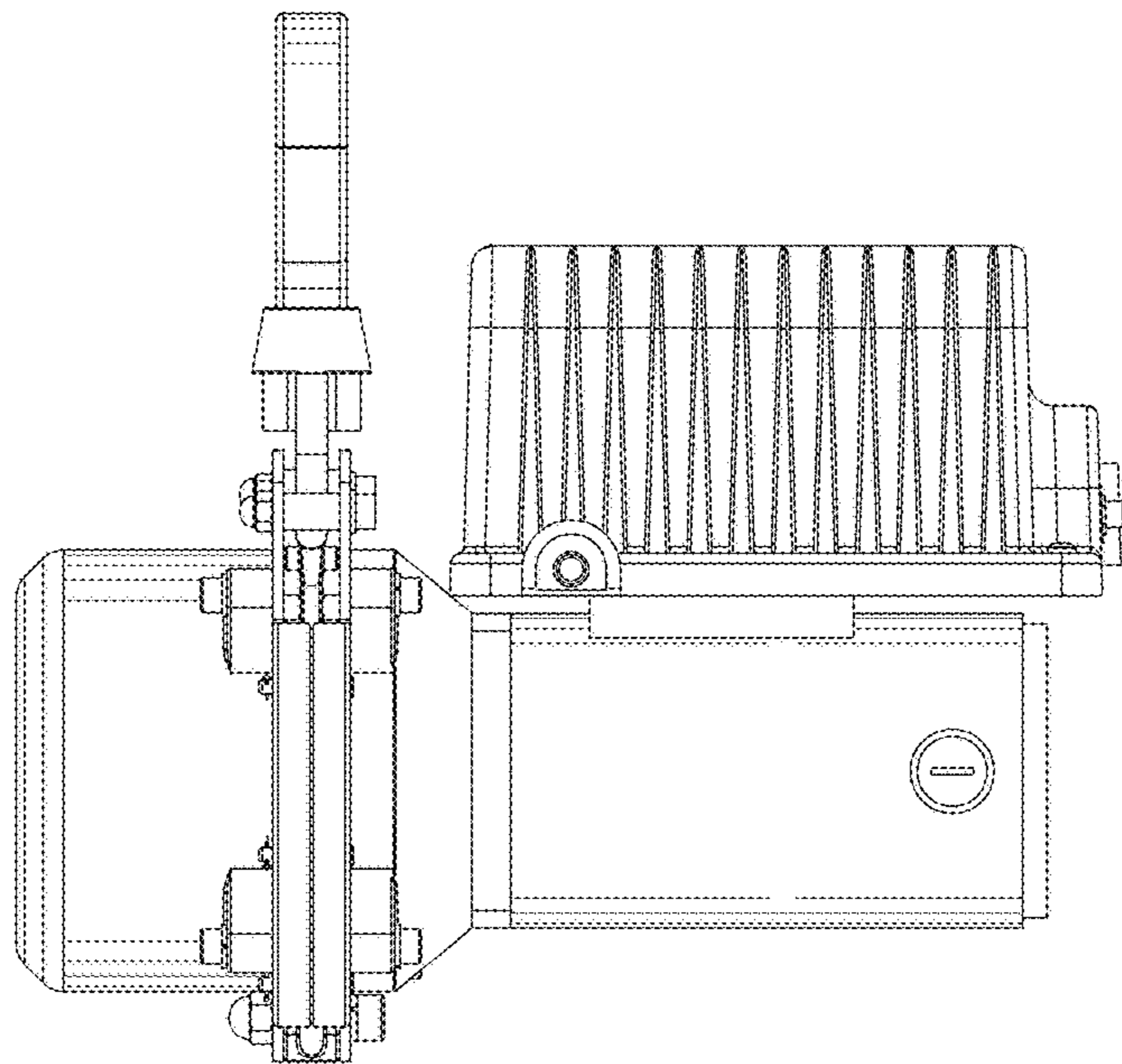


FIG. 3

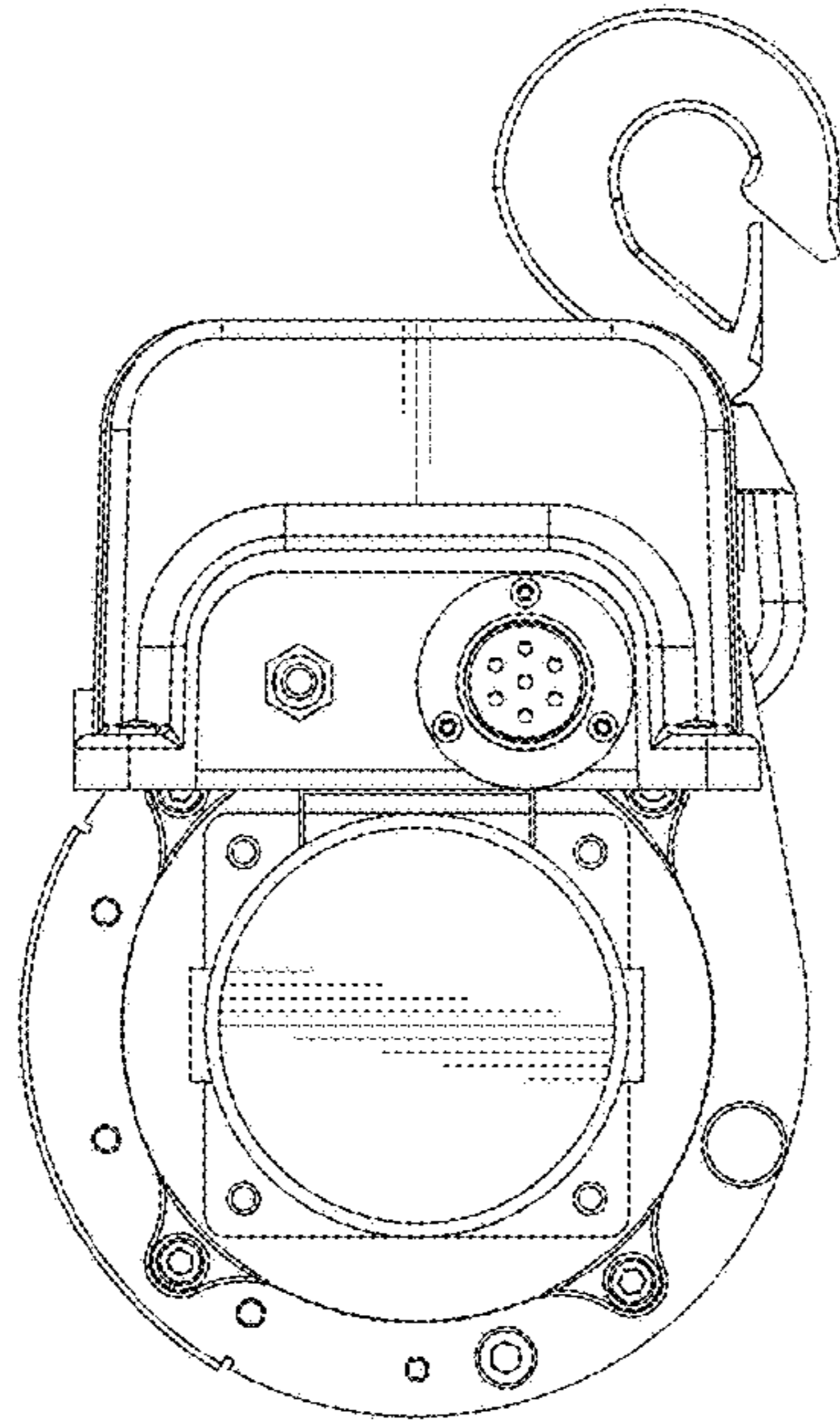


FIG. 4

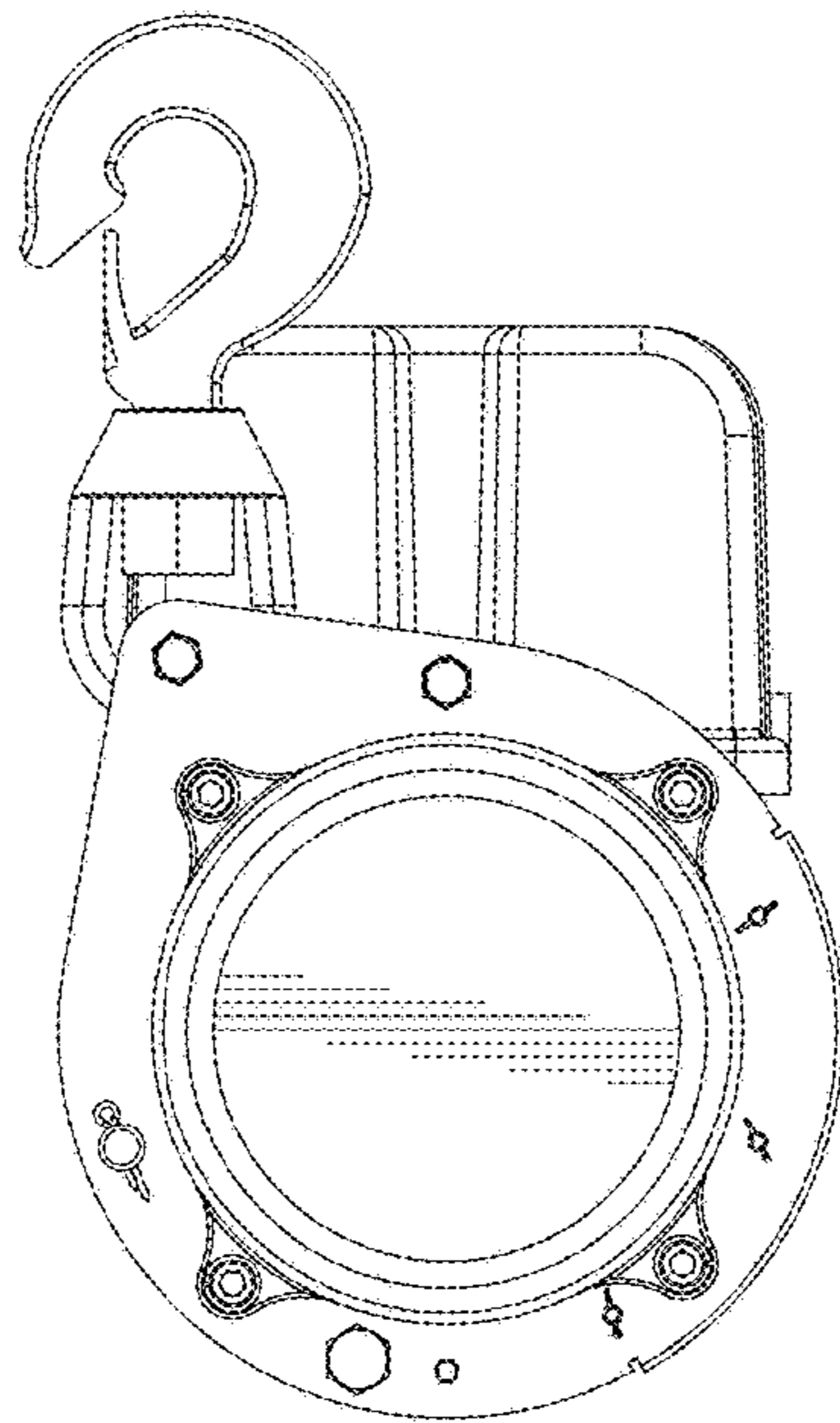


FIG. 5

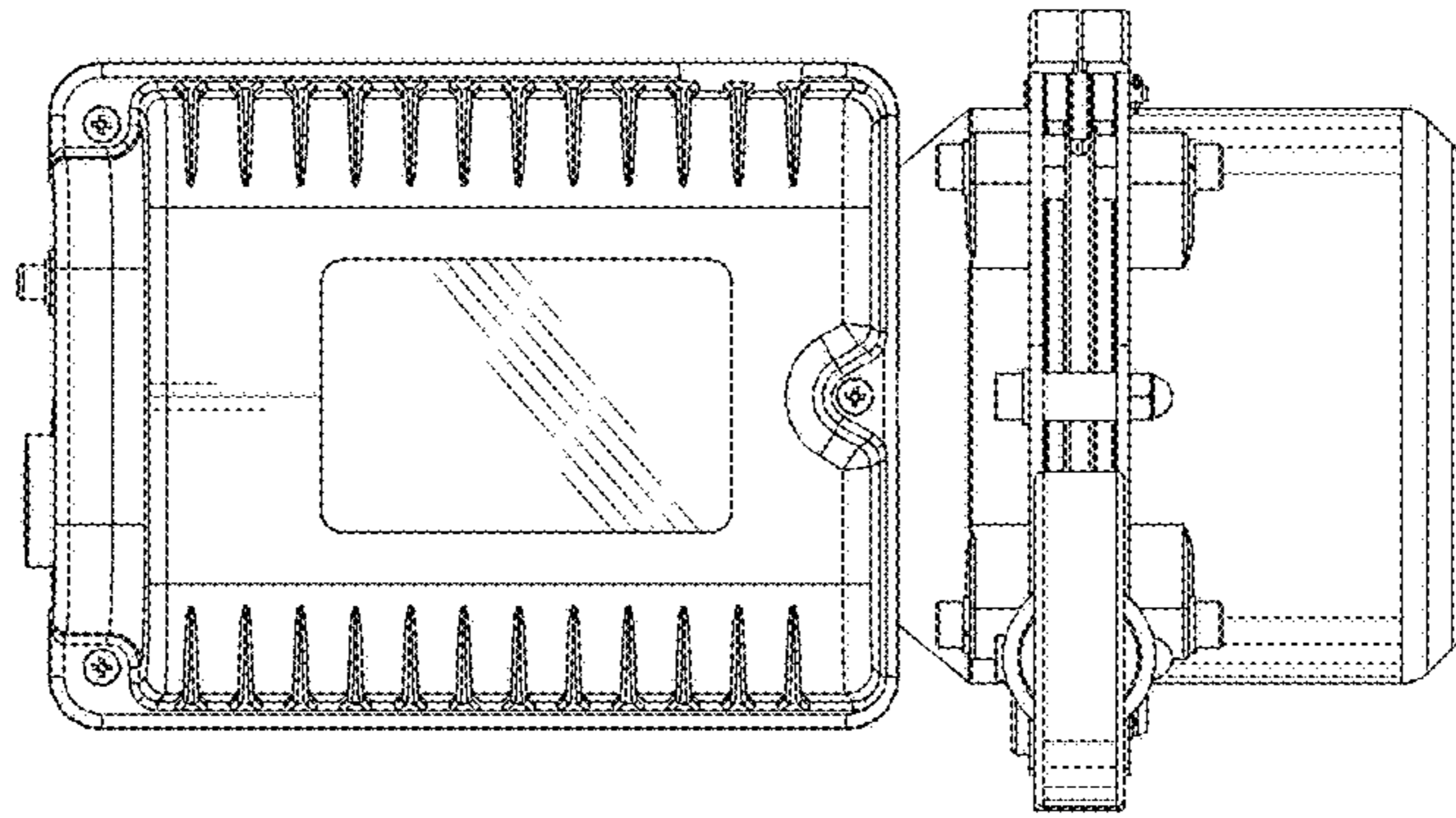


FIG. 6

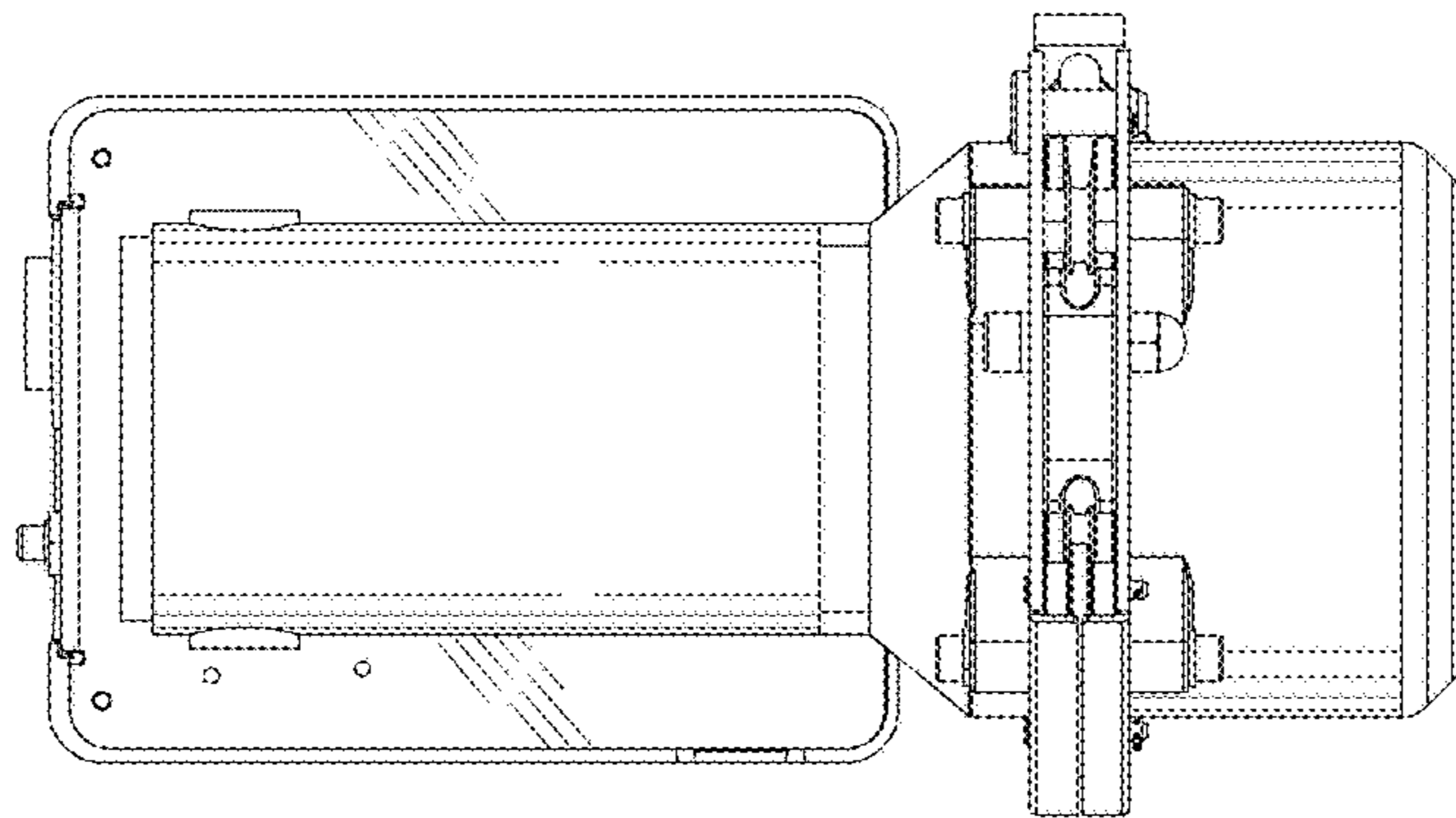


FIG. 7

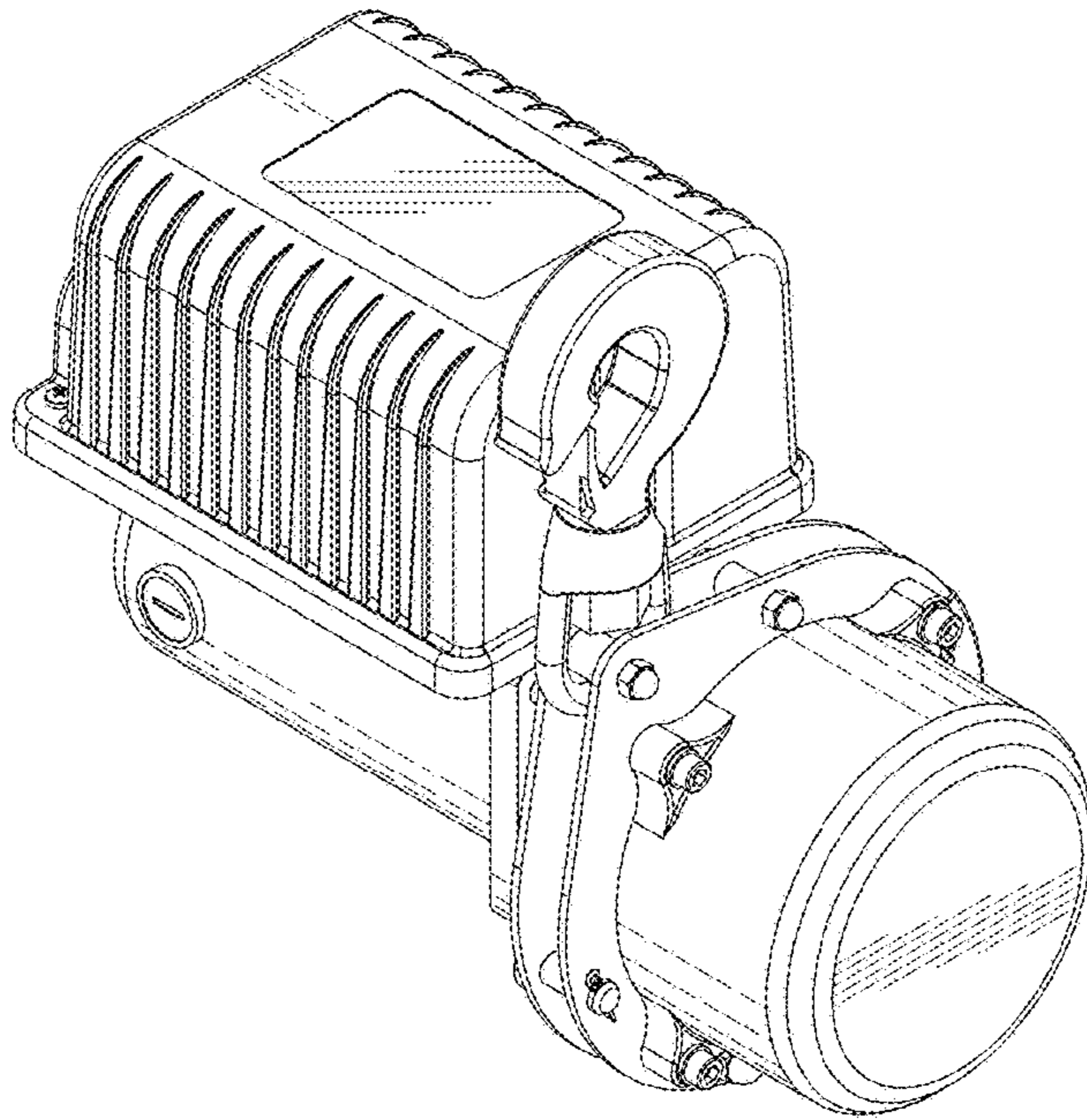


FIG. 8

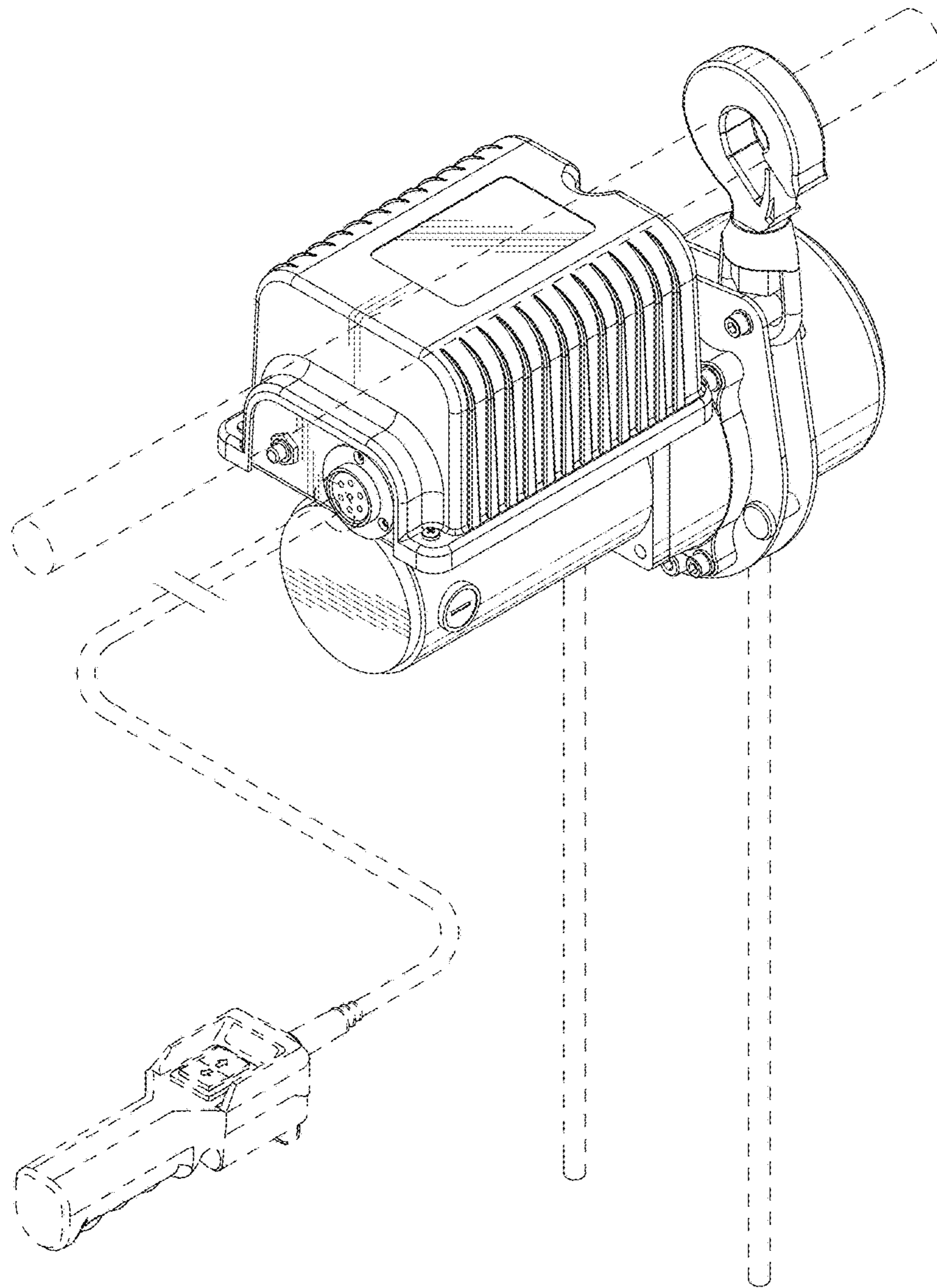


FIG. 9