

US00D867711S

(12) **United States Design Patent** (10) **Patent No.:** **US D867,711 S**  
**Immerz et al.** (45) **Date of Patent:** **\*\* Nov. 19, 2019**

(54) **CONVEYOR BELT**

(71) Applicant: **SAVATECH d.o.o.**, Kranj (SI)

(72) Inventors: **Christian Immerz**, Kranj (SI); **Marko Rozman**, Kranj (SI); **David Pejasinovic**, Kranj (SI); **Milan Petkovic**, Kranj (SI); **Gregor Jerman**, Kranj (SI); **Vinko Tisler**, Kranj (SI)

(73) Assignee: **Trelleborg Slovenija, d.o.o.**, Kranj (SI)

(\*\*) Term: **15 Years**

(21) Appl. No.: **29/624,341**

(22) Filed: **Oct. 31, 2017**

**Related U.S. Application Data**

(62) Division of application No. 35/501,353, filed on Feb. 22, 2016 (U.S. filing date under 35 U.S.C. 384), and (Continued)

(51) **LOC (12) Cl.** ..... **12-05**

(52) **U.S. Cl.**  
USPC ..... **D34/29**

(58) **Field of Classification Search**  
USPC ..... D34/29; D12/535-537  
See application file for complete search history.

(56) **References Cited**

**U.S. PATENT DOCUMENTS**

D254,429 S \* 3/1980 Summers, Jr. .... D34/29  
D288,255 S \* 2/1987 Bode ..... D34/29  
(Continued)

**FOREIGN PATENT DOCUMENTS**

CN 301020427D 9/2009  
CN 301020429D 9/2009

*Primary Examiner* — George D. Kirschbaum

(74) *Attorney, Agent, or Firm* — Studebaker & Brackett PC

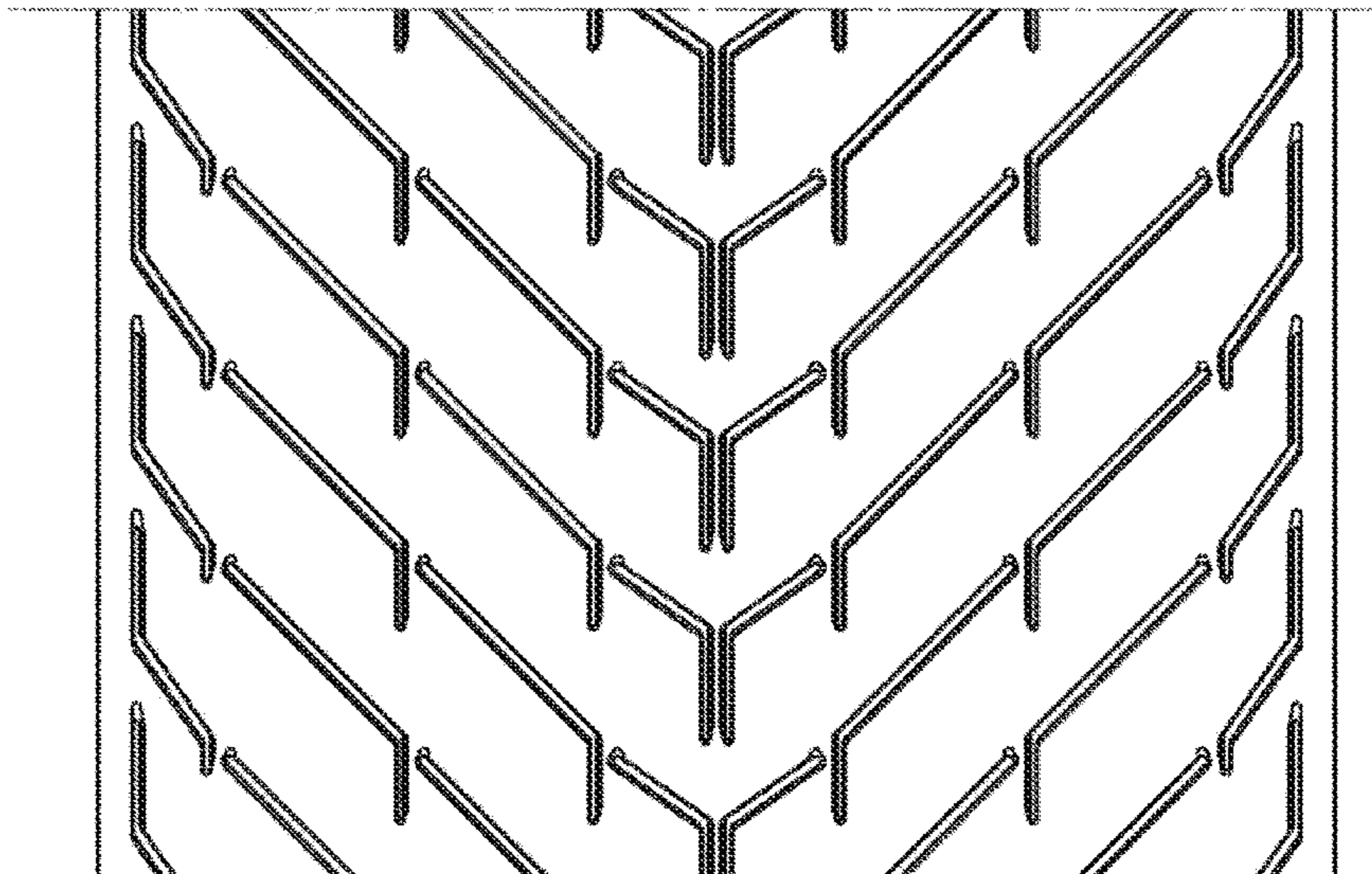
(57) **CLAIM**

The ornamental design for a conveyor belt, as shown and described.

**DESCRIPTION**

FIG. 1 is a top view showing our new design for a conveyor belt,  
 FIG. 2 is a left side view thereof,  
 FIG. 3 is a cross-sectional view taken along the line 3-3 on FIG. 4,  
 FIG. 4 is a front view thereof,  
 FIG. 5 is an enlarged front view of a rib,  
 FIG. 6 is an enlarged front view of middle ribs,  
 FIG. 7 is an enlarged side view of an upper end of a side rib,  
 FIG. 8 is an enlarged side view of a lower end of a side rib,  
 FIG. 9 is an enlarged cross-sectional view of a rib taken along the line 9-9 on FIG. 5,  
 FIG. 10 is an enlarged cross-sectional view of middle ribs taken along the line 10-10 on FIG. 6,  
 FIG. 11 is a top view showing our new design for a conveyor belt,  
 FIG. 12 is a left side view thereof,  
 FIG. 13 is a front view thereof,  
 FIG. 14 is a cross-sectional view thereof taken along the line 14-14 on FIG. 13,  
 FIG. 15 is an enlarged front view of a rib,  
 FIG. 16 is an enlarged front view of middle ribs,  
 FIG. 17 is an enlarged side view of an upper end of a side rib,  
 FIG. 18 is an enlarged side view of a lower end of a side rib,  
 FIG. 19 is an enlarged cross-sectional view of middle ribs taken along the line 19-19 on FIG. 16; and,  
 FIG. 20 is an enlarged cross-sectional view of a rib taken along the line 20-20 on FIG. 15.

**1 Claim, 20 Drawing Sheets**



**Related U.S. Application Data**

having an international filing date of Feb. 22, 2016,  
now Pat. No. Des. 812,335.

(56)

**References Cited**

U.S. PATENT DOCUMENTS

D312,718 S	*	12/1990	McIlwain .....	D34/29
D319,328 S	*	8/1991	Faulkner .....	D34/29
D333,544 S	*	2/1993	Uehara .....	D34/29
D565,500 S	*	4/2008	Whitney .....	D12/535
D617,260 S	*	6/2010	Larregain .....	D12/535
D659,077 S	*	5/2012	Delhommeau .....	D12/535
D810,659 S	*	2/2018	Nakamura .....	D12/535

\* cited by examiner

FIG. 1

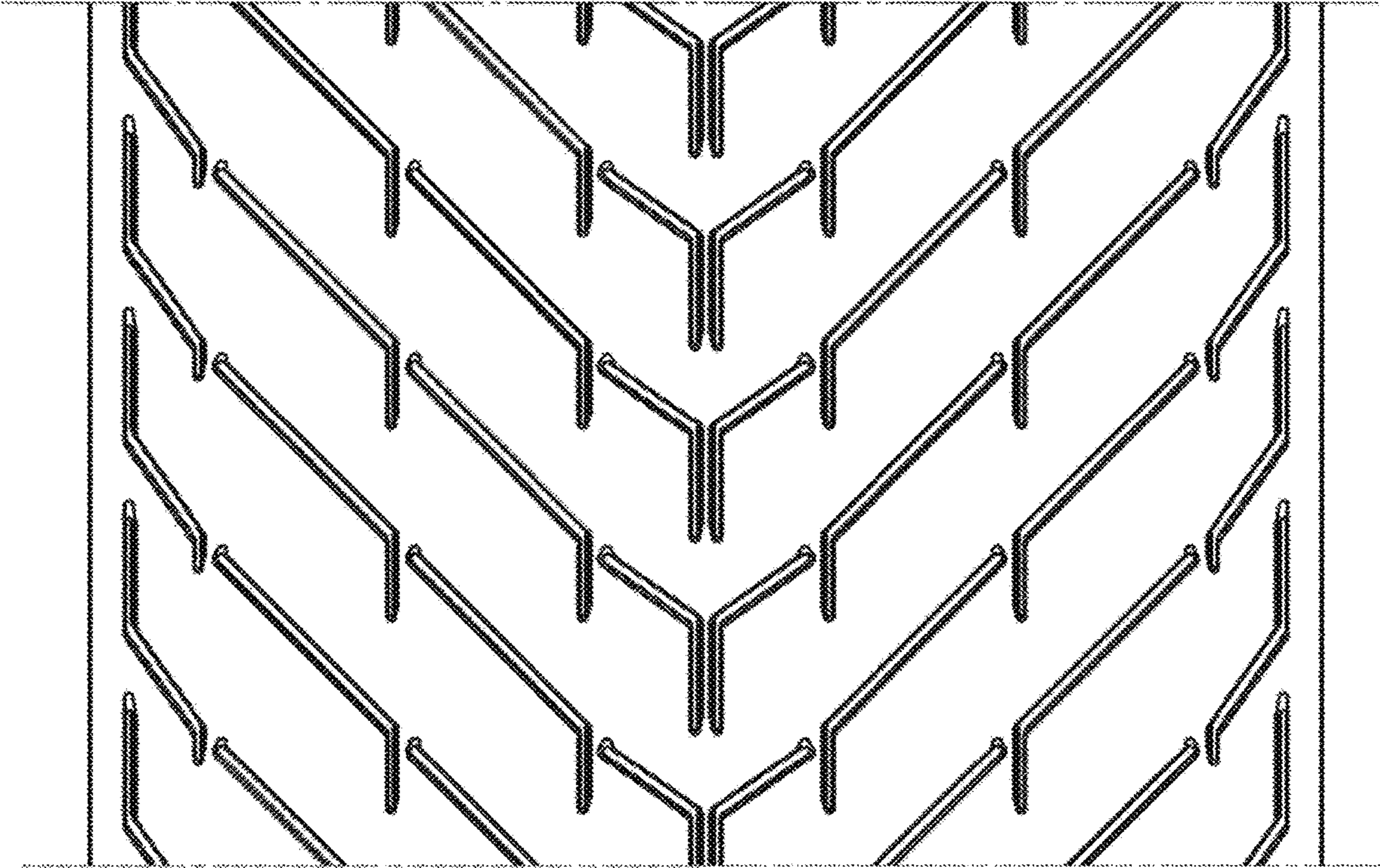


FIG. 2

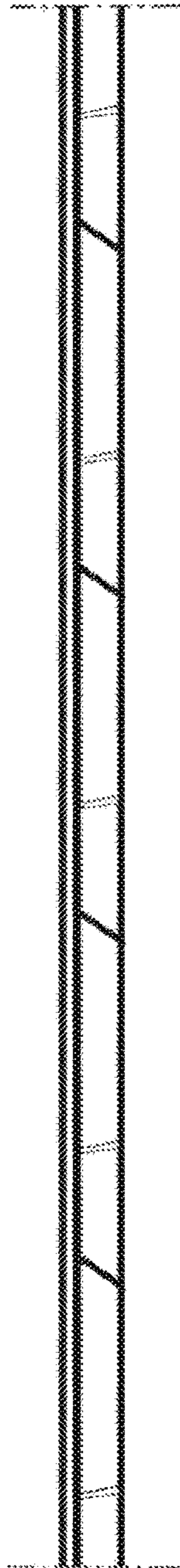


FIG. 3



FIG. 4



FIG. 5

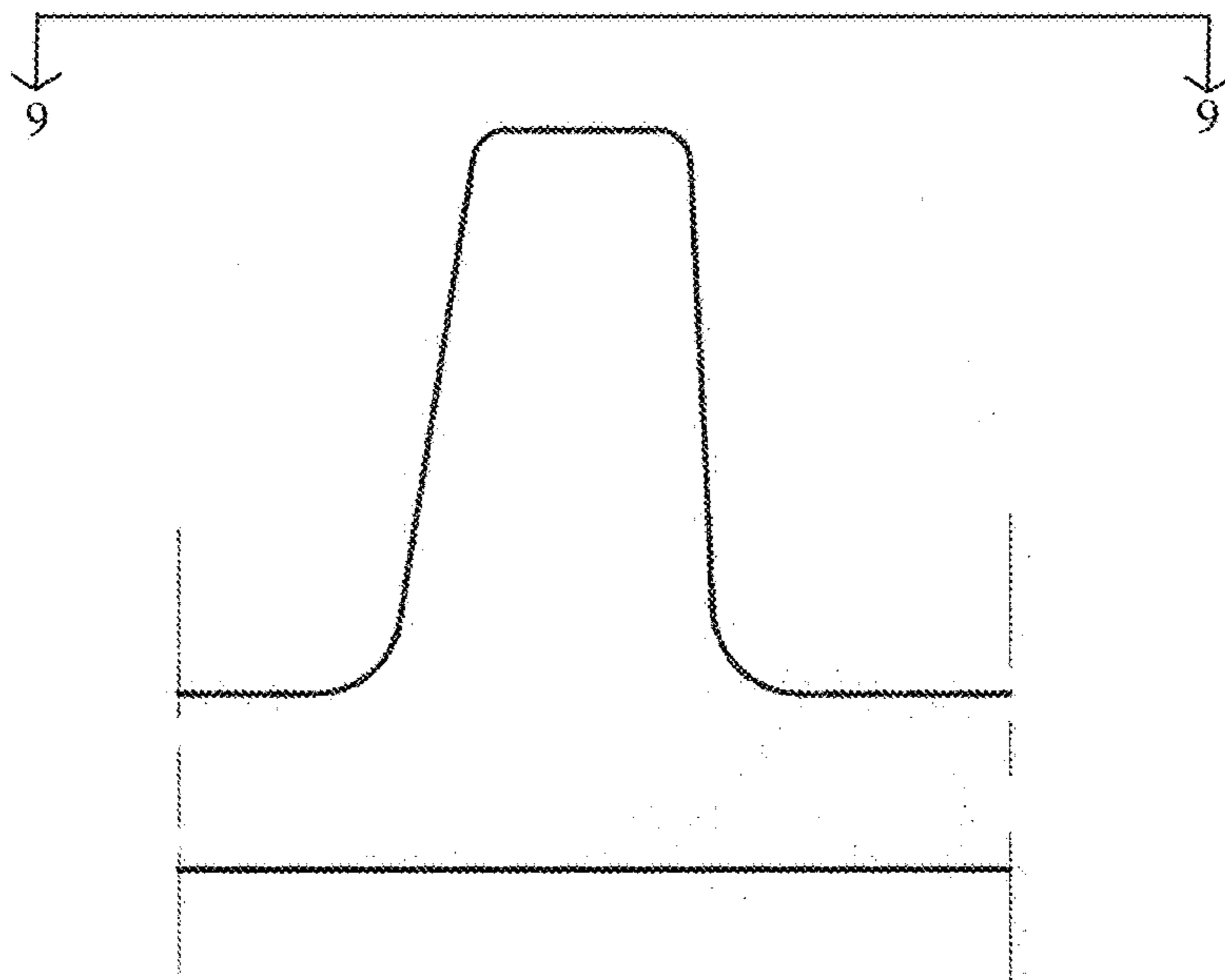


FIG. 6

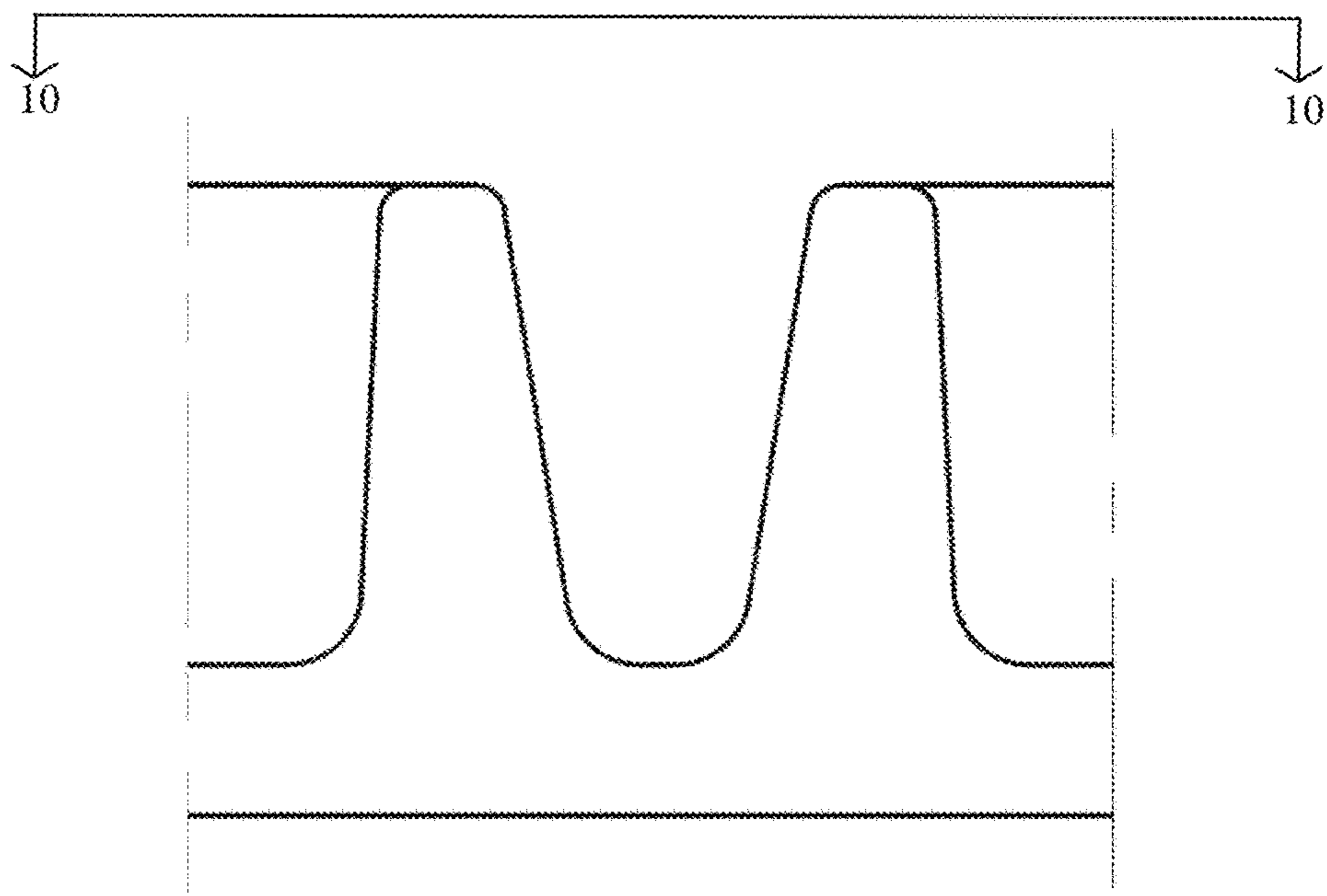




FIG. 7

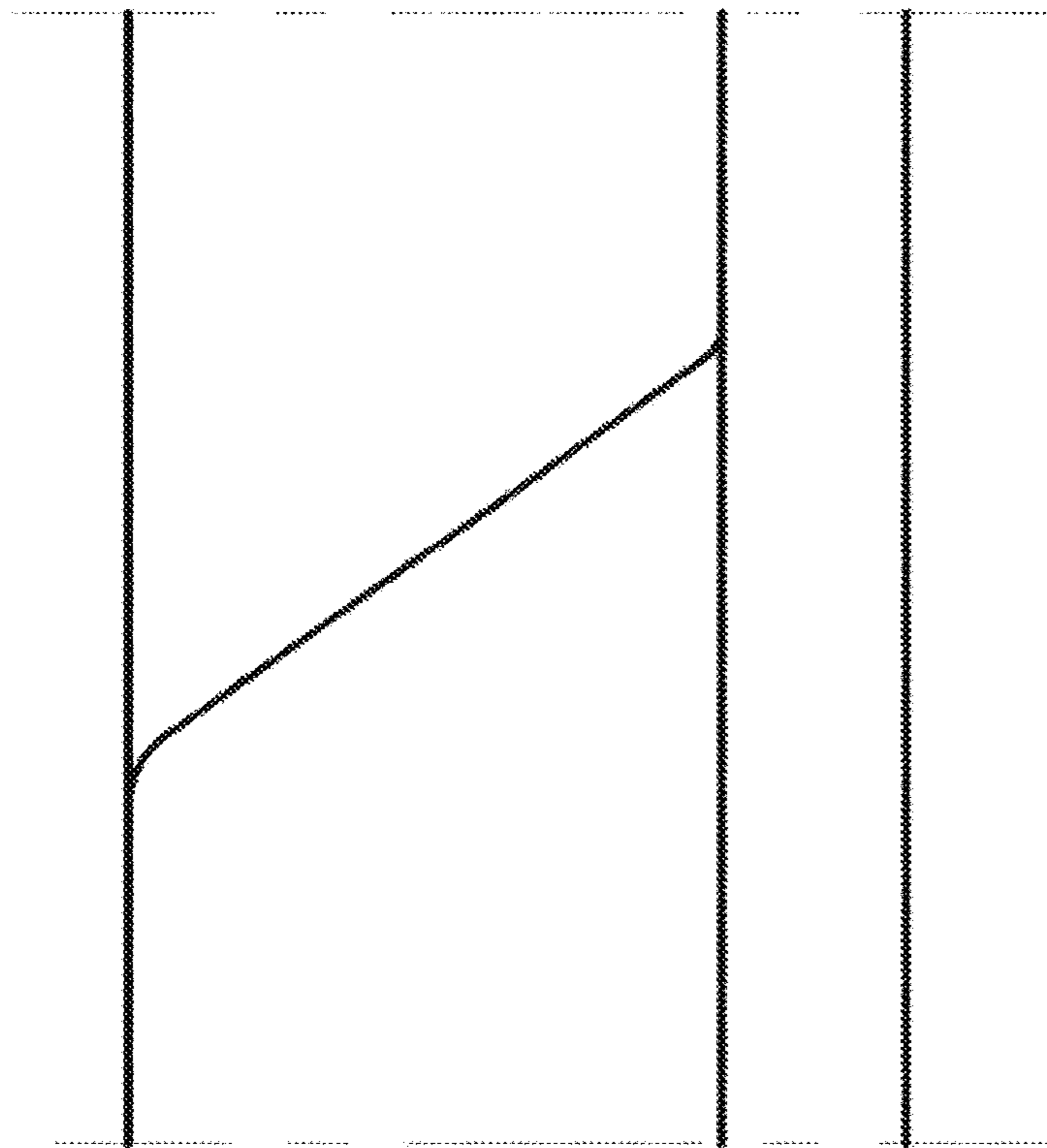


FIG. 8

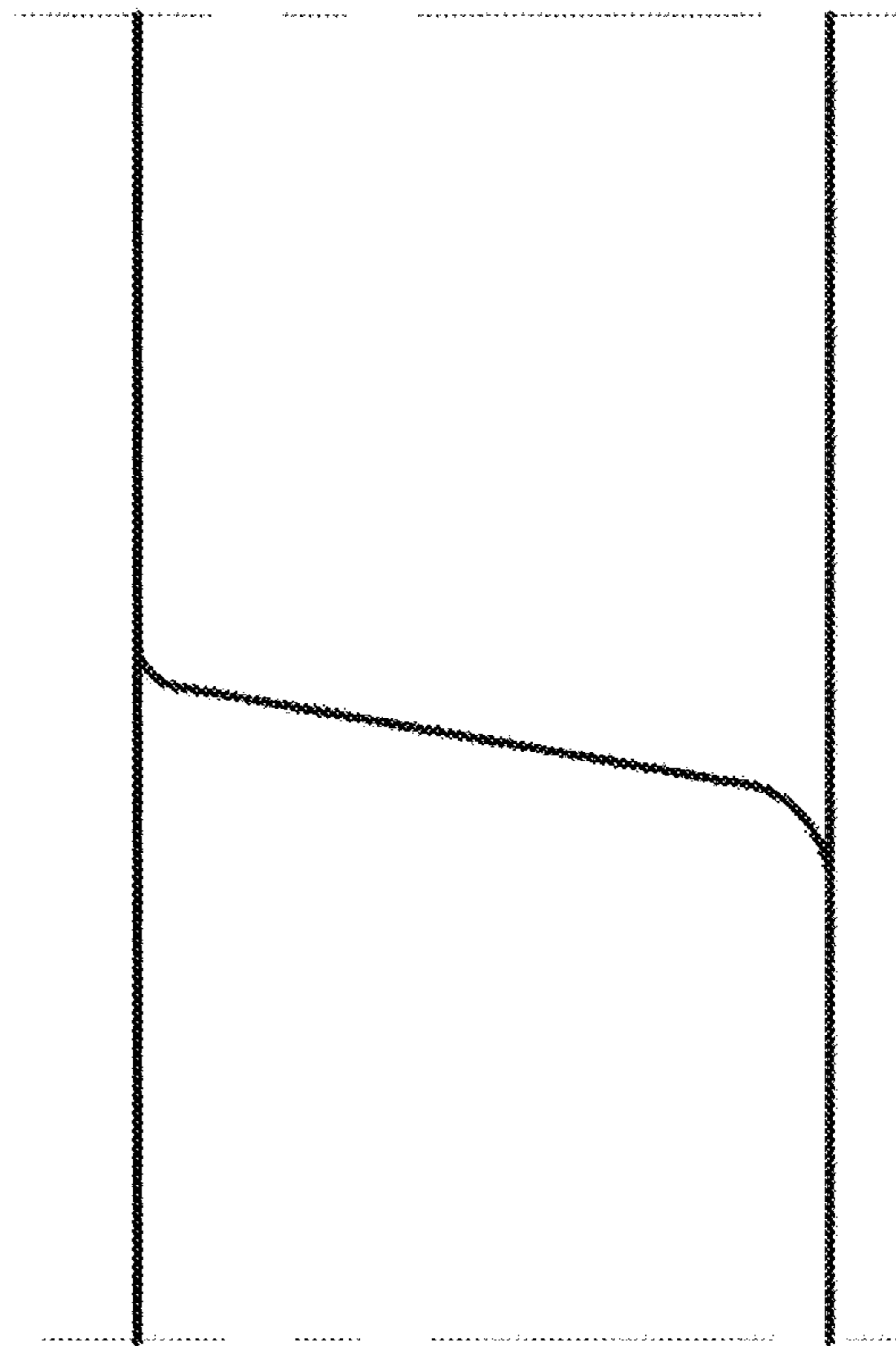


FIG. 9

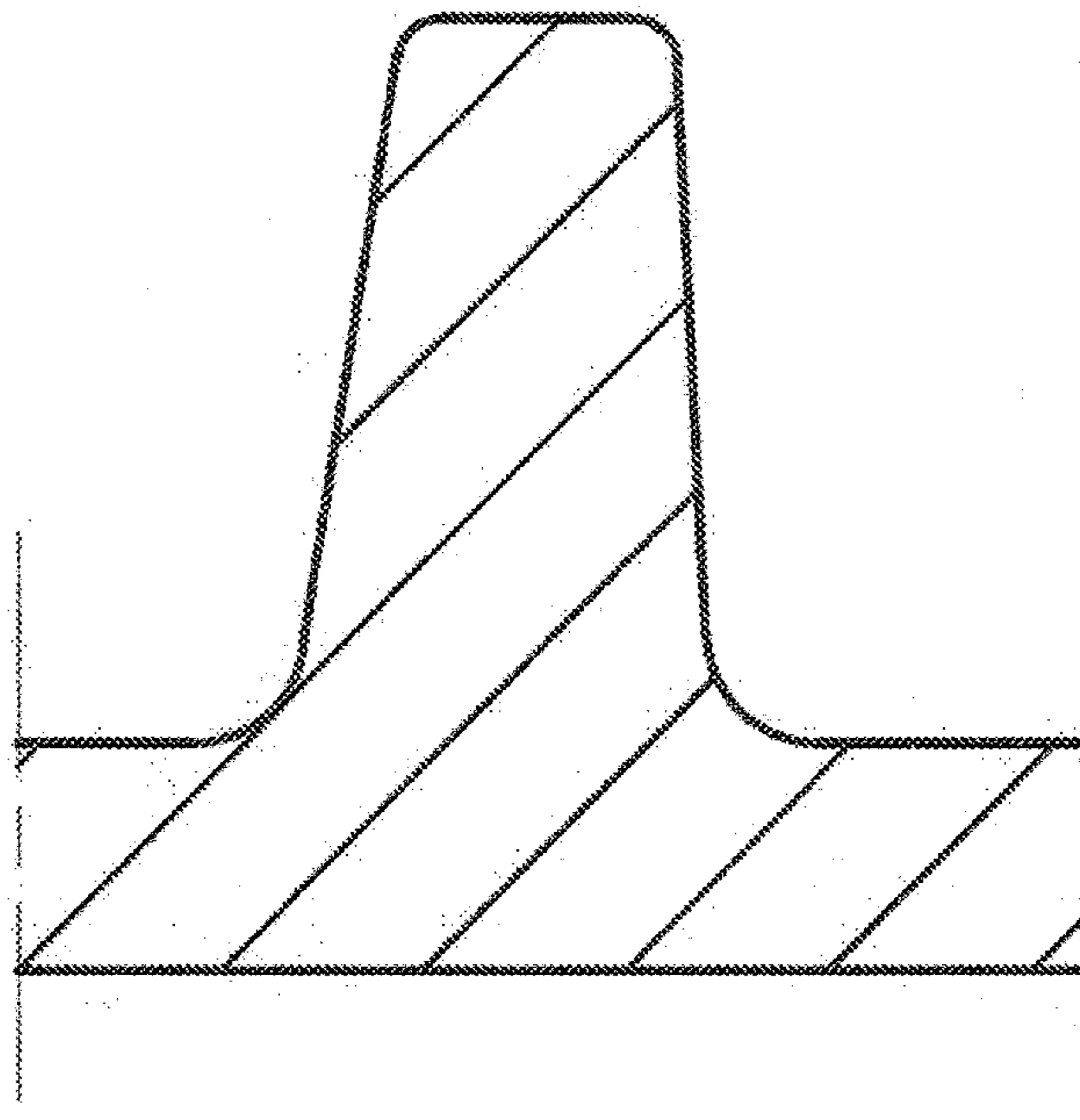


FIG. 10

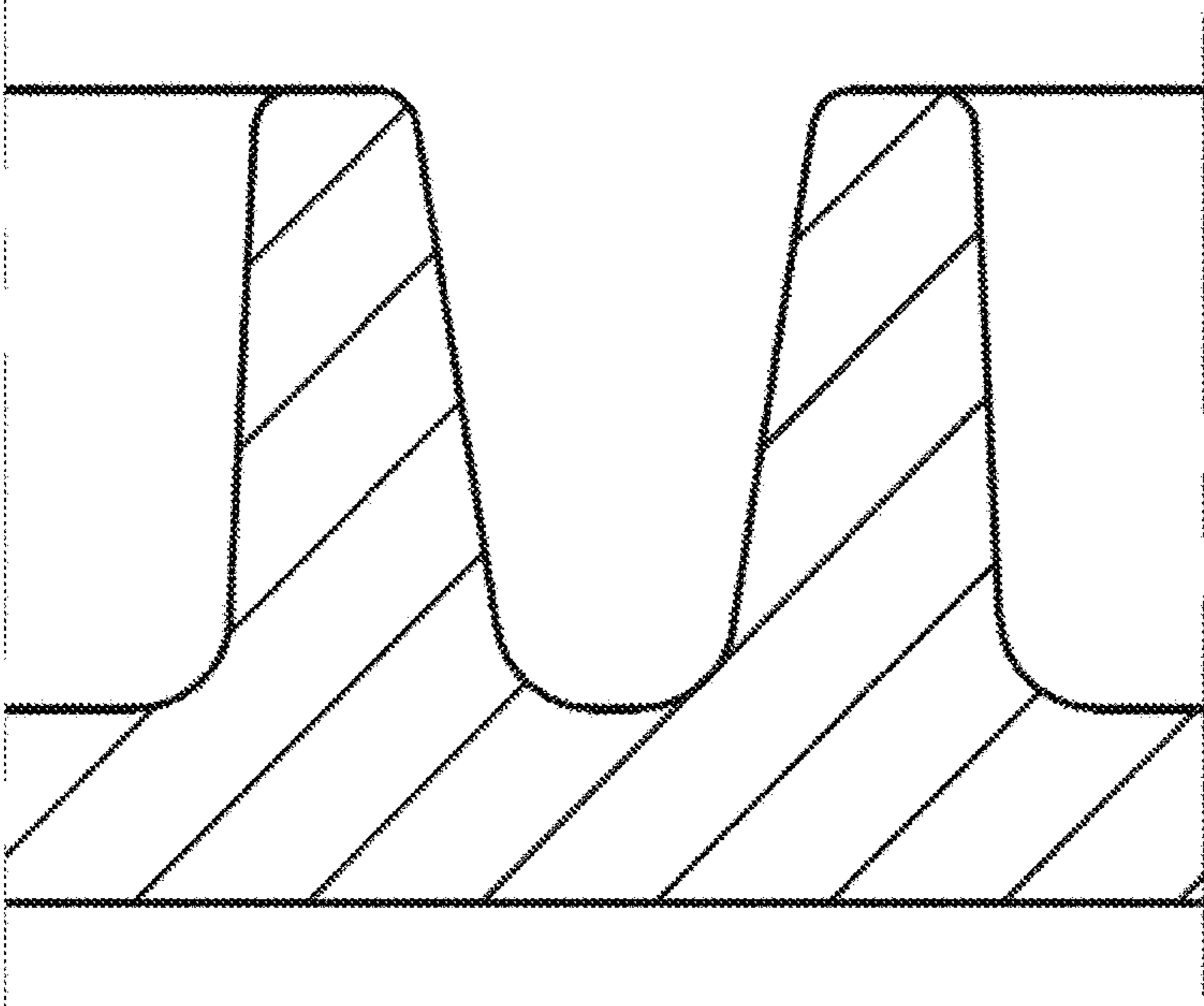


FIG. 11

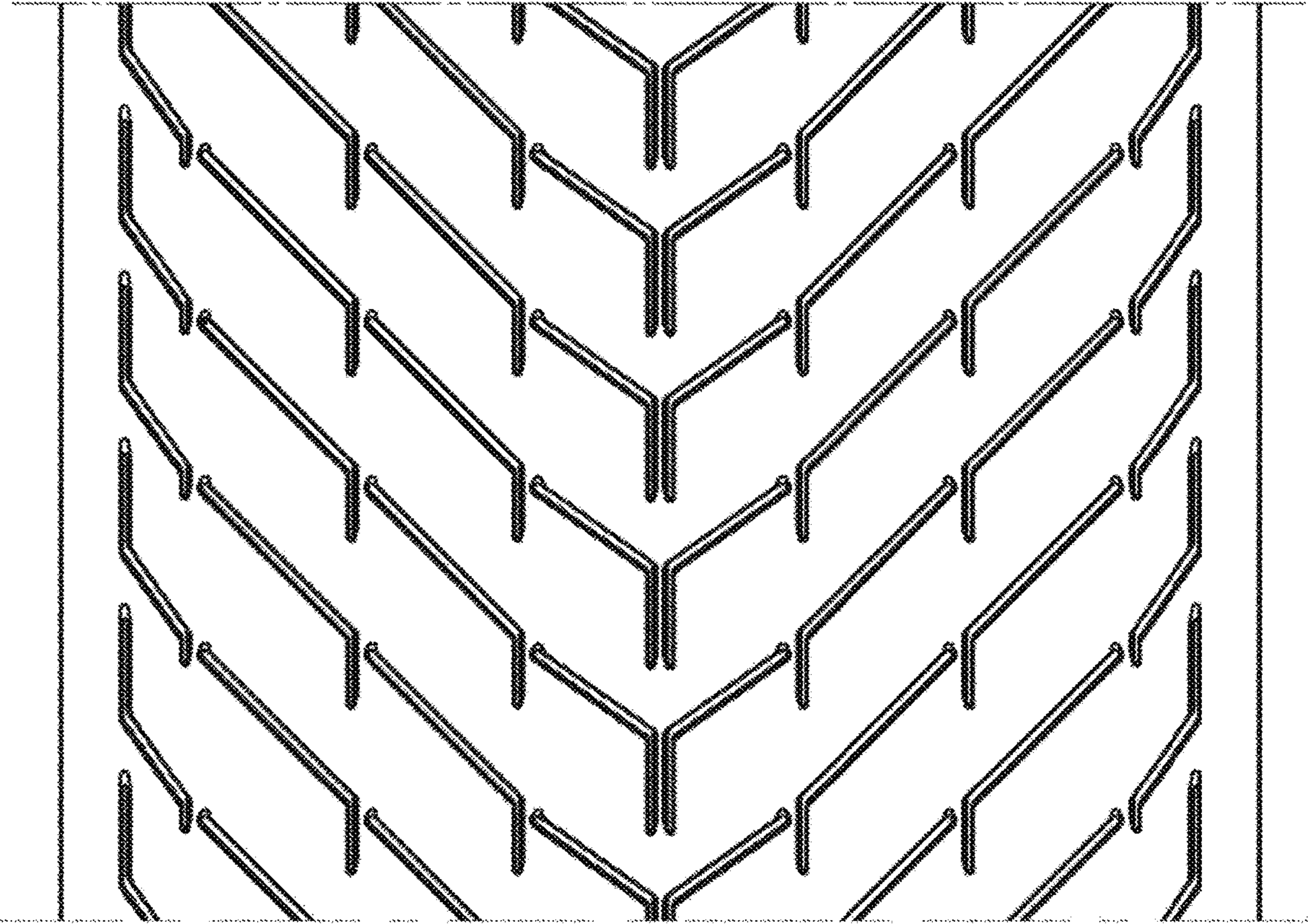


FIG. 12

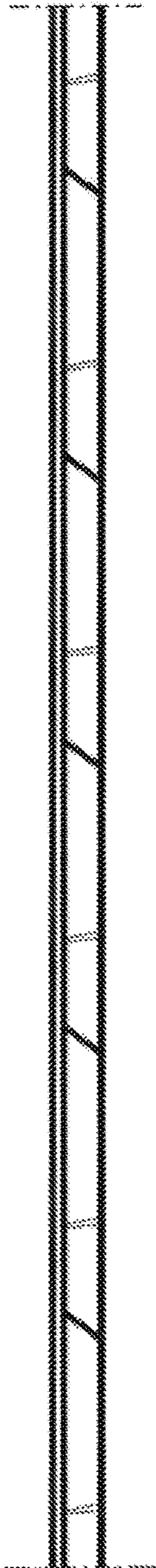


FIG. 13

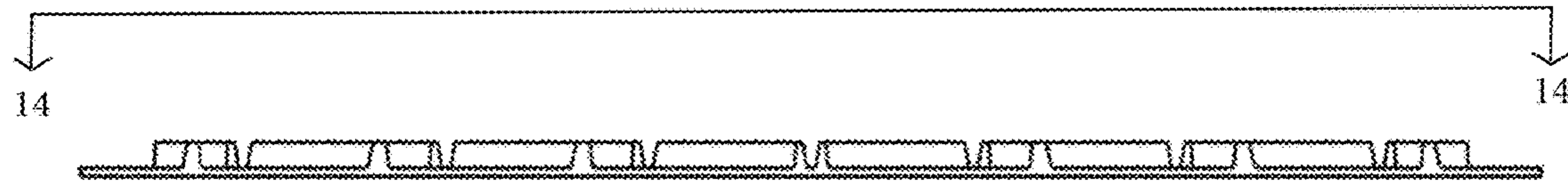


FIG. 14





FIG. 15

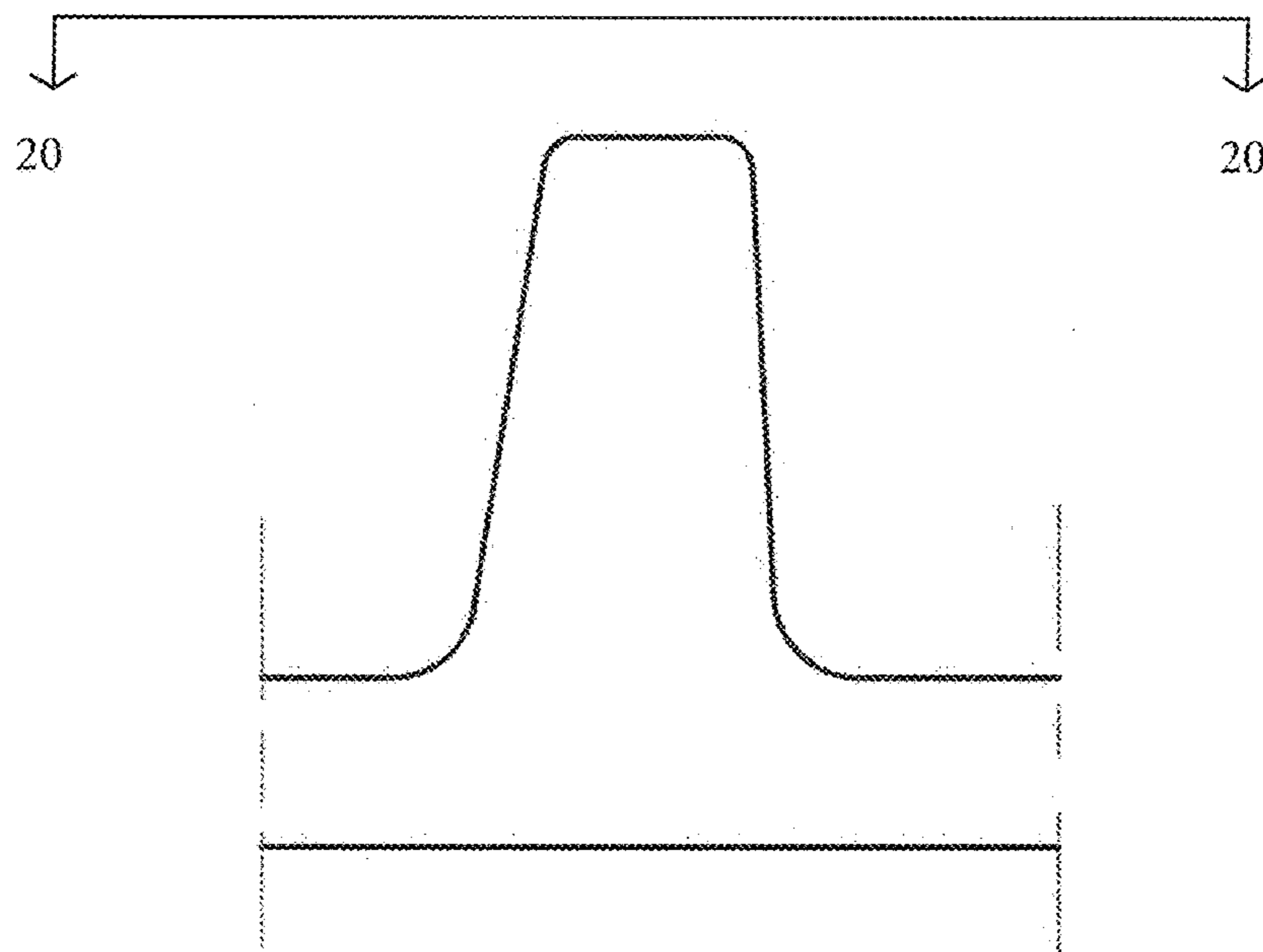


FIG. 16

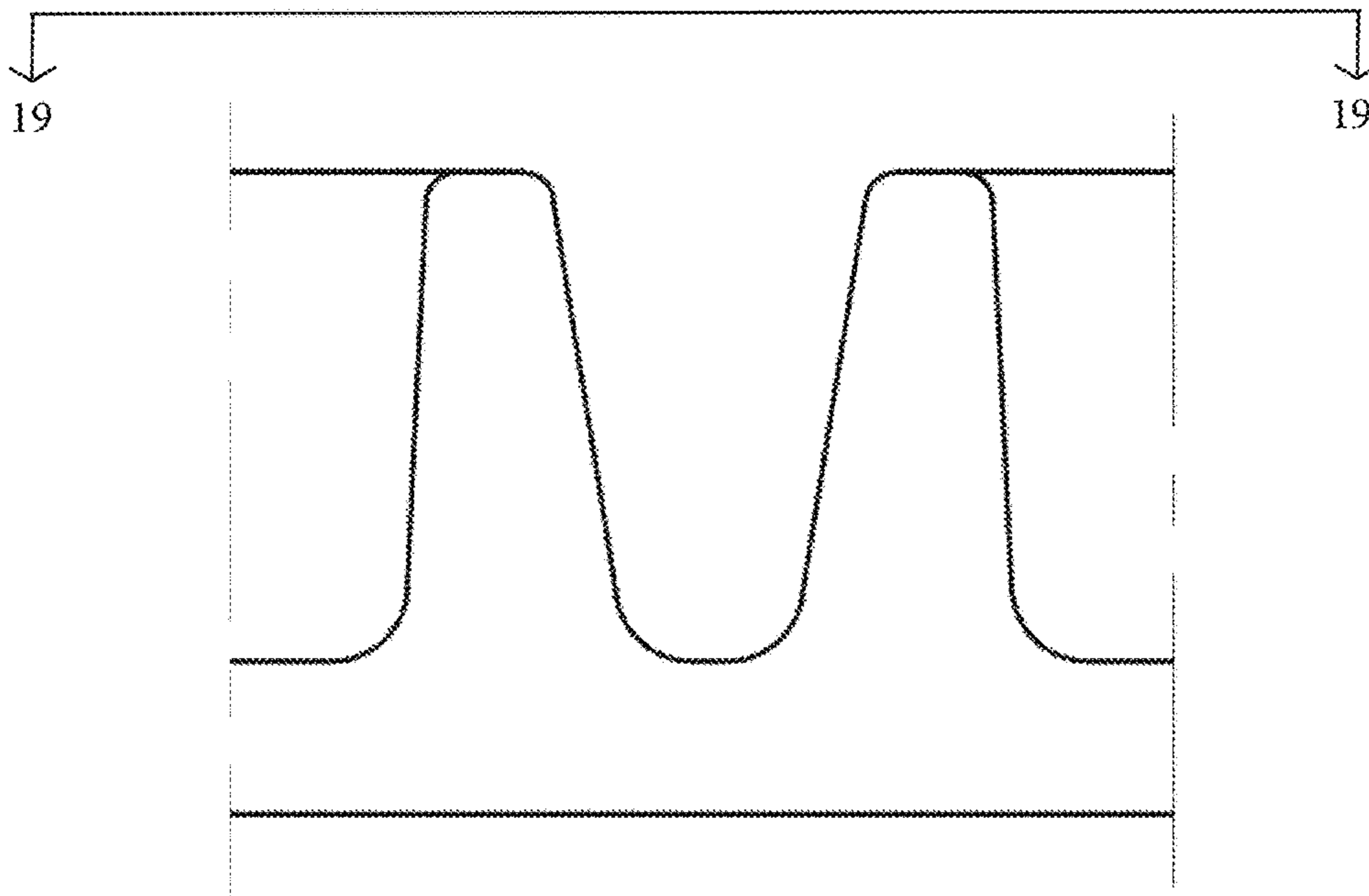


FIG. 17

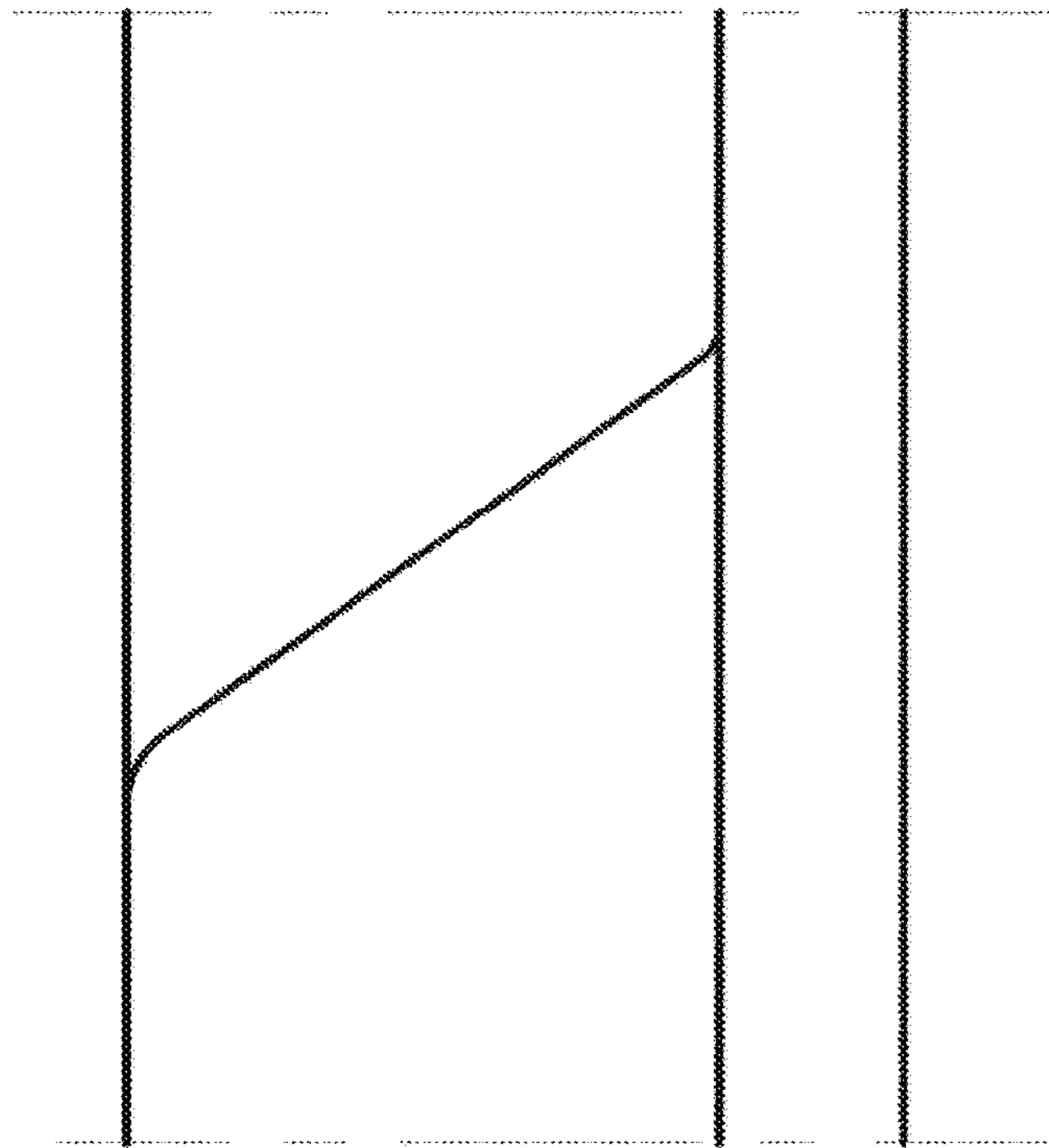


FIG. 18

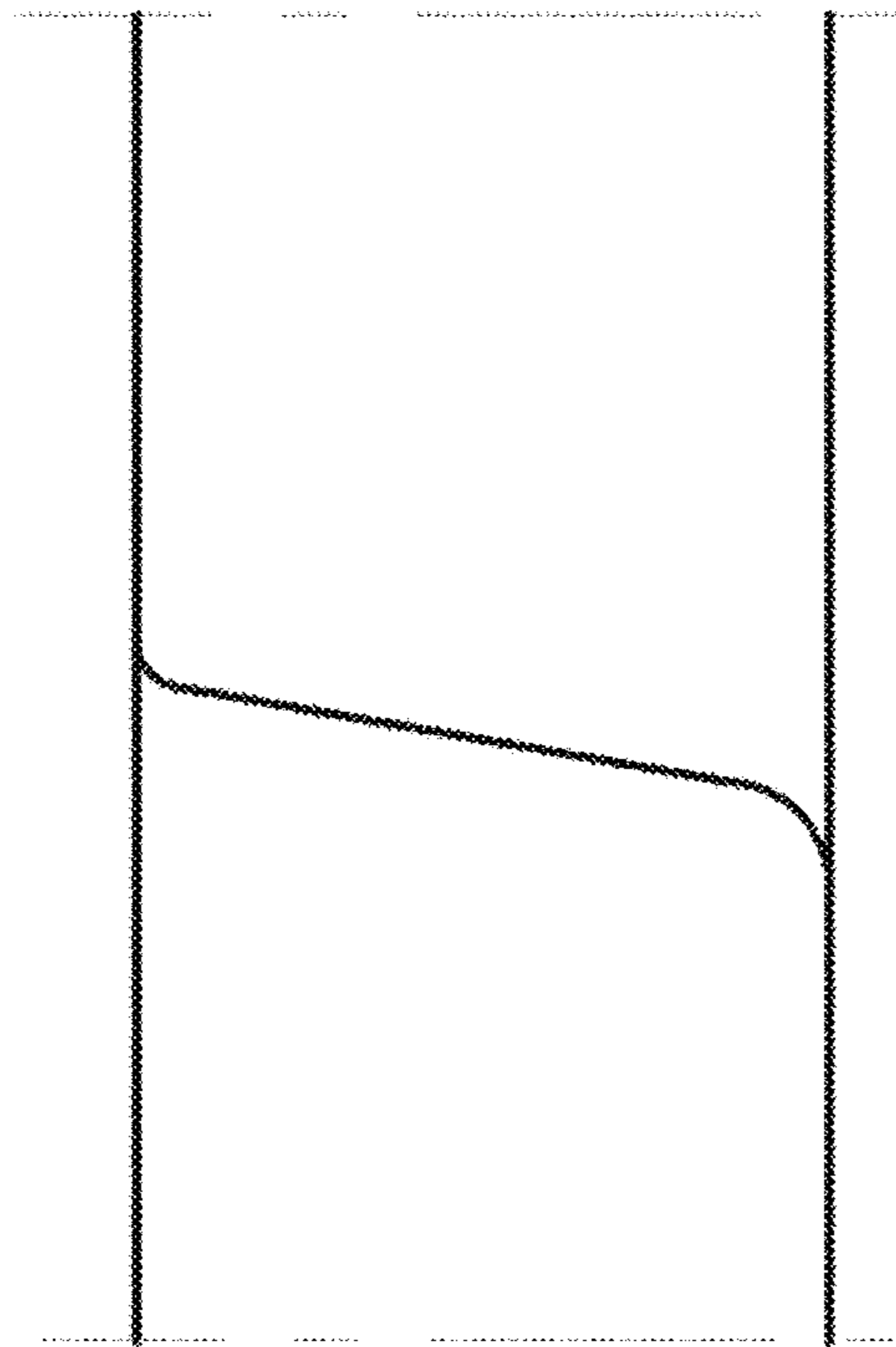


FIG. 19

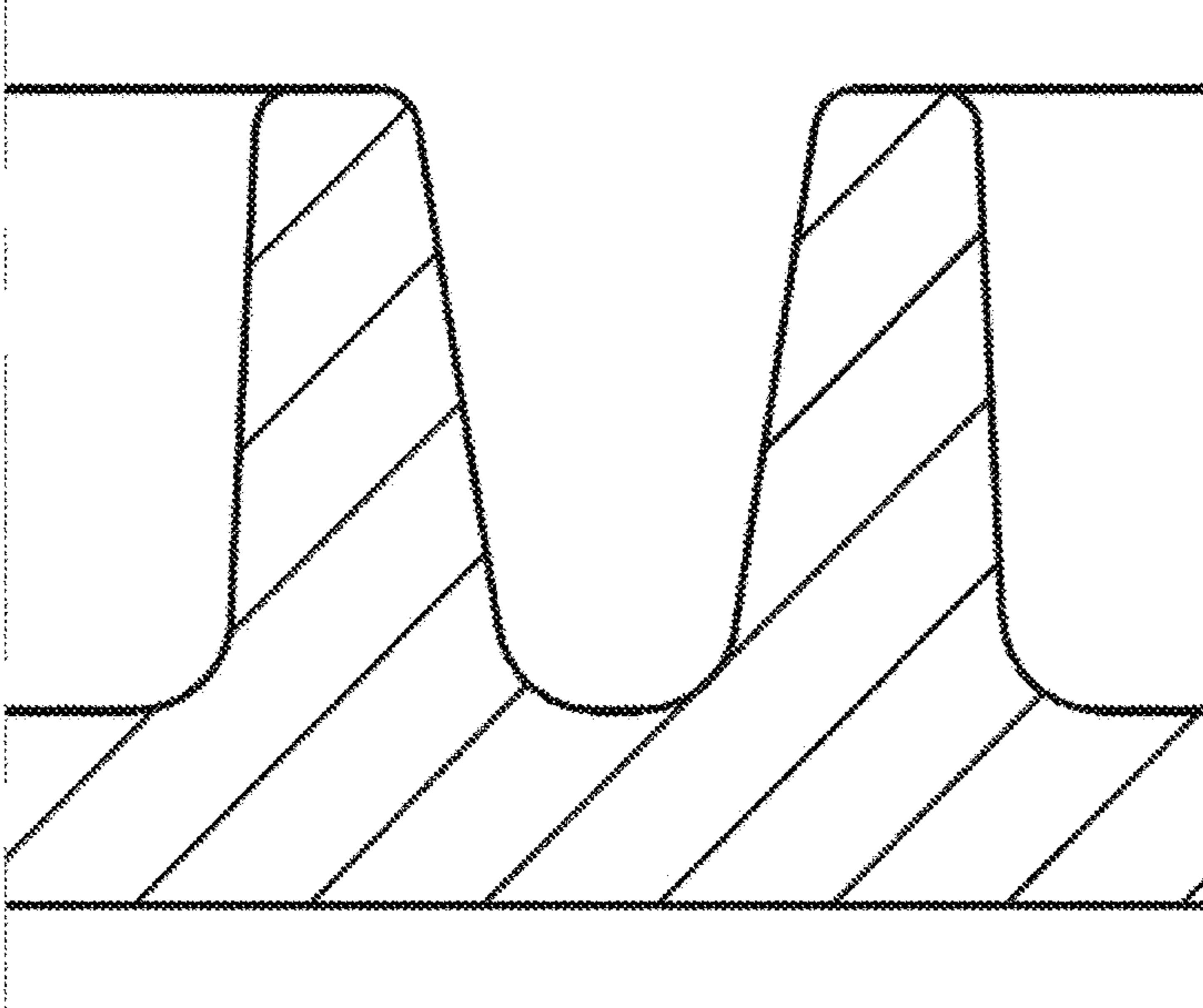


FIG. 20

