

US00D867709S

(12) **United States Design Patent** (10) **Patent No.:** **US D867,709 S**
Coules (45) **Date of Patent:** **** Nov. 19, 2019**

- (54) **COLLAPSIBLE CART**
- (71) Applicant: **Donna Coules**, Bellmore, NY (US)
- (72) Inventor: **Donna Coules**, Bellmore, NY (US)
- (**) Term: **15 Years**
- (21) Appl. No.: **29/635,680**
- (22) Filed: **Feb. 1, 2018**

- 7,252,302 B1 8/2007 Thurn et al.
 - 7,566,069 B1 7/2009 Ortega et al.
 - D669,651 S * 10/2012 Ono D34/12
 - 8,408,581 B1 4/2013 Hunter
 - 8,714,569 B2 * 5/2014 Lu F16M 13/02
280/35
 - D730,011 S * 5/2015 McRorie D34/14
 - 9,039,016 B2 * 5/2015 Abernethy B62B 3/02
280/6.15
 - 9,050,988 B1 6/2015 McLeod
 - 9,180,898 B2 * 11/2015 Ninomiya A61B 8/4405
- (Continued)

Related U.S. Application Data

- (63) Continuation-in-part of application No. 15/403,493, filed on Jan. 11, 2017, now Pat. No. 9,914,468.
- (51) **LOC (12) Cl.** **12-02**
- (52) **U.S. Cl.**
USPC **D34/12**
- (58) **Field of Classification Search**
USPC D34/12, 13, 14, 15, 19, 25
CPC . B62B 2202/404; B62B 3/02; B62B 2205/00;
B62B 2205/24; B62B 3/003; B62B 3/004;
B62B 3/005; B62B 3/006; B62B 3/10;
B62B 3/108
See application file for complete search history.

Primary Examiner — Cynthia Ramirez
(74) *Attorney, Agent, or Firm* — Argus Intellectual Enterprise; Daniel Enea; Jordan Sworen

(57) **CLAIM**

The ornamental design for a collapsible cart, as shown and described.

DESCRIPTION

FIG. 1 shows a perspective view of the collapsible cart.
 FIG. 2 shows a right-side elevation view of the collapsible cart.
 FIG. 3 shows a left-side elevation view of the collapsible cart.
 FIG. 4 shows a top plan view of the collapsible cart.
 FIG. 5 shows a bottom plan view of the collapsible cart.
 FIG. 6 shows a front-end elevation view of the collapsible cart; and,
 FIG. 7 shows a rear end elevation view of the collapsible cart.

The broken lines shown in the figures are for the purpose of illustrating portions of the collapsible cart and form no part of the claimed design.

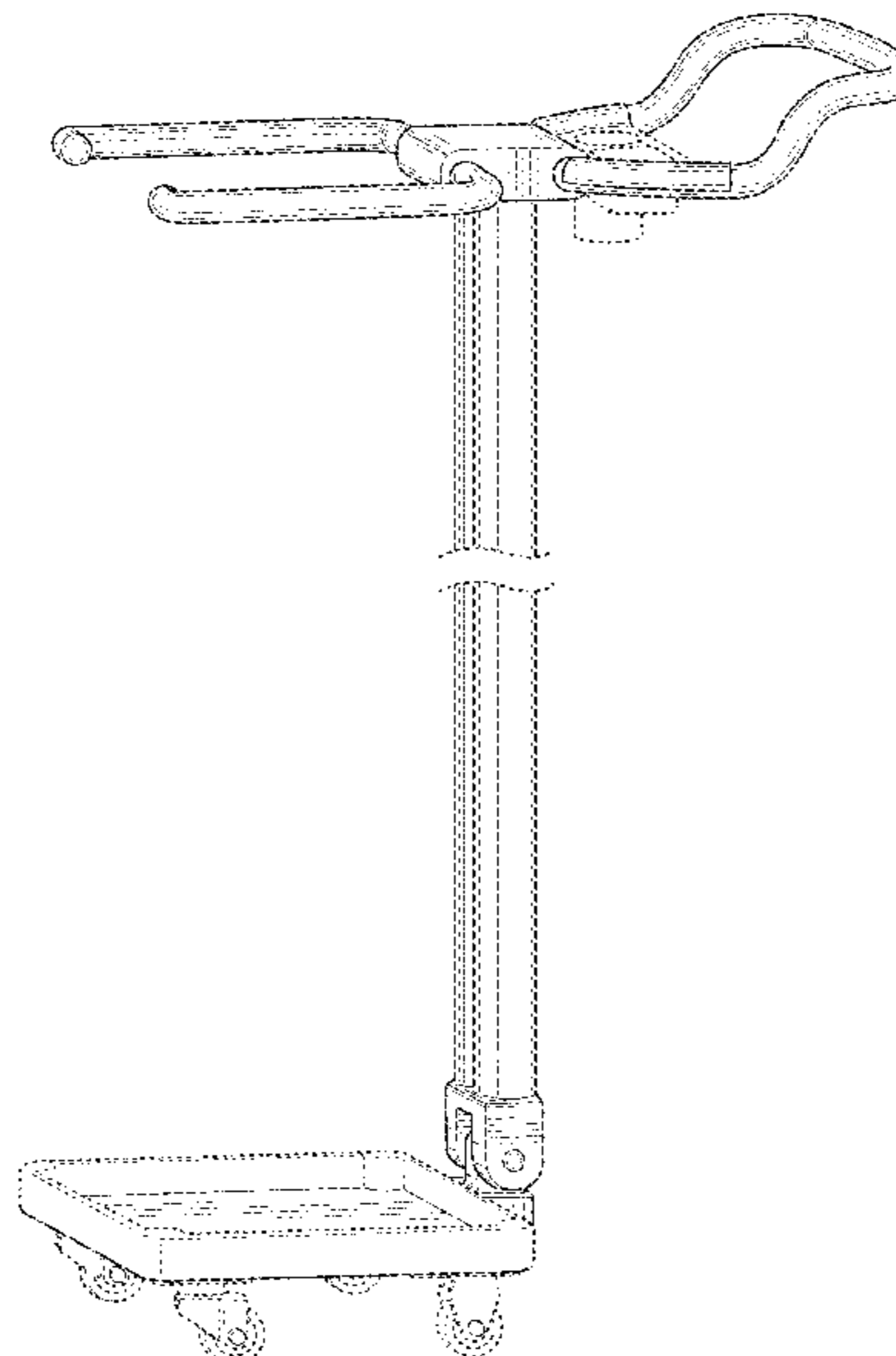
The collapsible cart is shown with a symbolic break in its length. The appearance of any portion of the article between the break lines forms no part of the claimed design.

(56) **References Cited**

U.S. PATENT DOCUMENTS

- 2,733,930 A 2/1956 Putterman
- 2,757,935 A 8/1956 Antonio
- 2,872,202 A 2/1959 Marino
- 4,160,557 A 7/1979 Taylor
- 4,185,848 A 1/1980 Holtz
- 4,765,646 A 8/1988 Cheng
- 4,826,187 A 5/1989 Abbott et al.
- 5,232,274 A 8/1993 Johan et al.
- 5,456,431 A 10/1995 Ilnisky
- D376,161 S * 12/1996 Bergersen D15/141
- 6,328,329 B1 12/2001 Smith
- 6,866,289 B2 3/2005 Prather
- 7,004,482 B1 2/2006 Steffan

1 Claim, 7 Drawing Sheets



(56)

References Cited

U.S. PATENT DOCUMENTS

D806,340 S *	12/2017	Stalter	D34/14	2008/0309038 A1	12/2008	Gilligan	
D854,772 S *	7/2019	Ecklund	D34/12	2009/0026734 A1	1/2009	Holzman	
2003/0197339 A1	10/2003	D'Angelo		2009/0152825 A1	6/2009	Adams	
2004/0001748 A1	1/2004	Landefeld		2009/0224495 A1	9/2009	Anderson	
2004/0100070 A1	5/2004	Bekkers		2009/0283990 A1	11/2009	Graham	
2004/0108670 A1	6/2004	Hendzel		2010/0237576 A1	9/2010	Maccario	
2004/0113381 A1	6/2004	Bergia		2012/0217710 A1*	8/2012	Houlihan	B62B 3/008 280/35
2004/0140649 A1	7/2004	Faden		2012/0261907 A1	10/2012	White et al.	
2005/0023781 A1	2/2005	Ortega		2013/0313377 A1	11/2013	Eloy	
2005/0103950 A1	5/2005	Joubert		2014/0035262 A1	2/2014	White et al.	
2005/0161915 A1	7/2005	Landefeld		2014/0084558 A1*	3/2014	Ergun	B62B 3/005 280/47.35
2006/0071436 A1	4/2006	O'Connor		2014/0183844 A1	7/2014	Iryami	
2006/0145437 A1	7/2006	Odgers		2014/0232076 A1	8/2014	Day et al.	
2007/0090616 A1	4/2007	Tompkins		2014/0265190 A1	9/2014	Beaver et al.	
2007/0096437 A1	5/2007	Watson		2015/0175185 A1	6/2015	Thorpe	
2008/0296855 A1	12/2008	Roseman		2015/0208780 A1	7/2015	Avery	
				2016/0207556 A1	7/2016	Unrath	

* cited by examiner

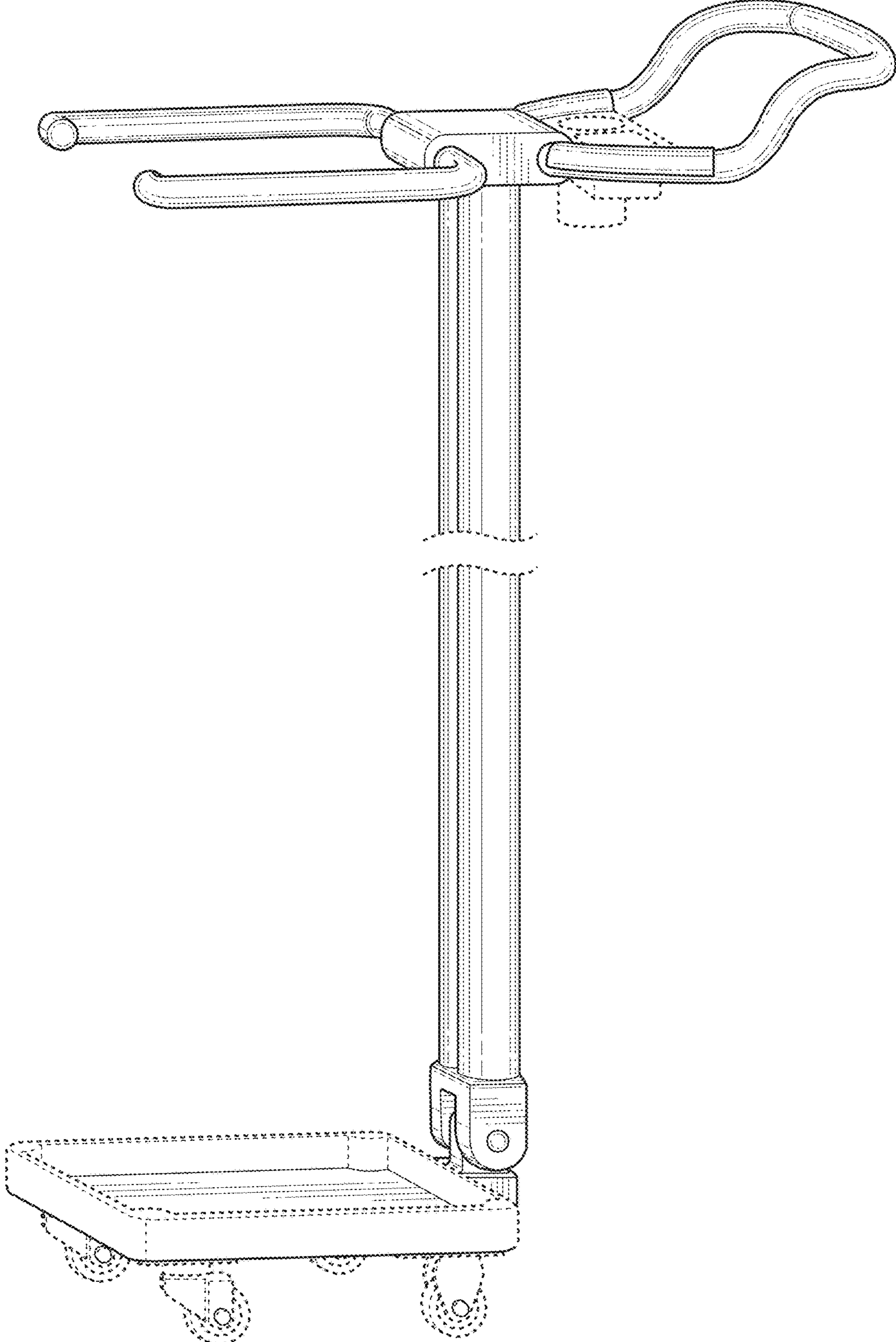


FIG. 1

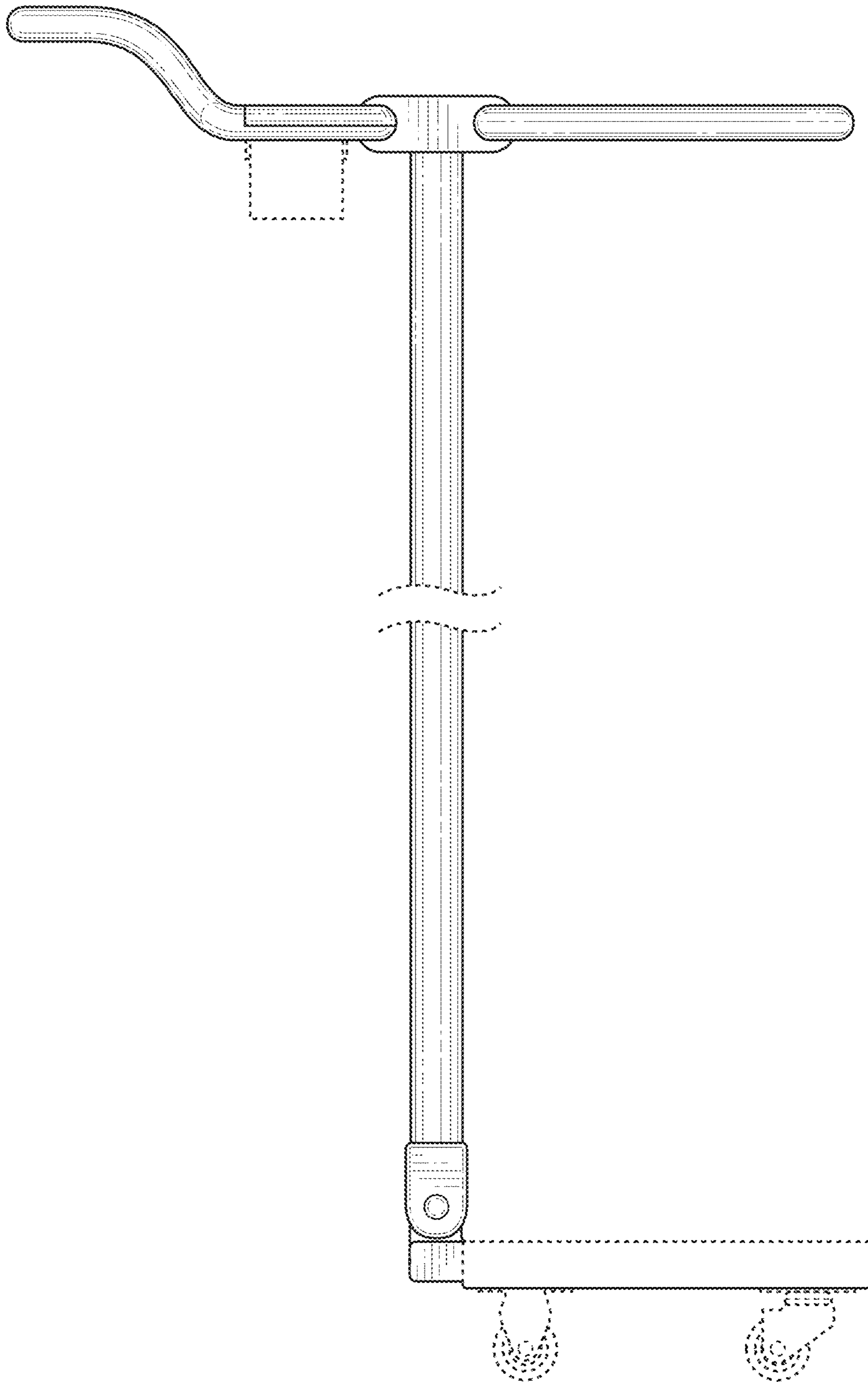


FIG. 2

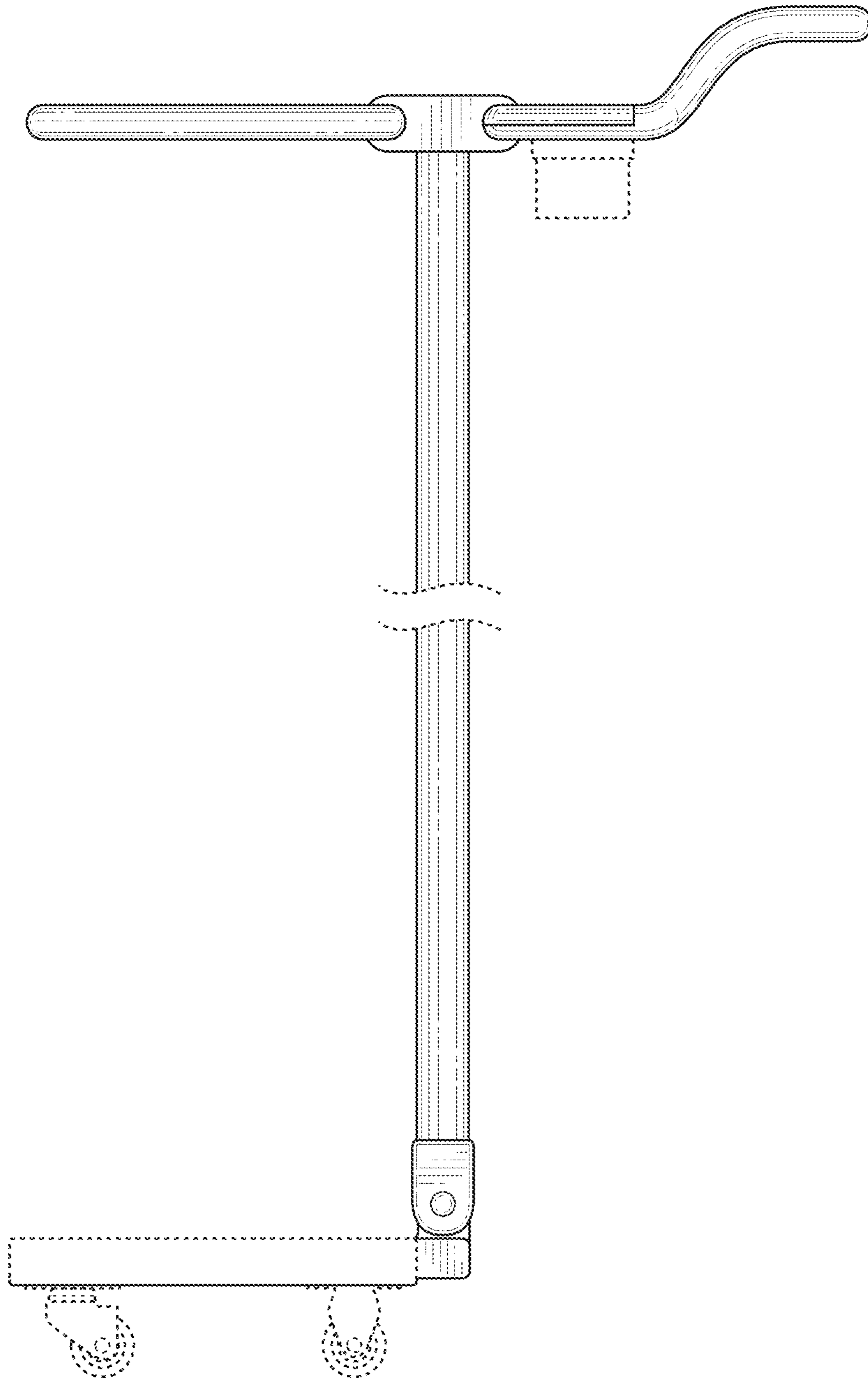


FIG. 3

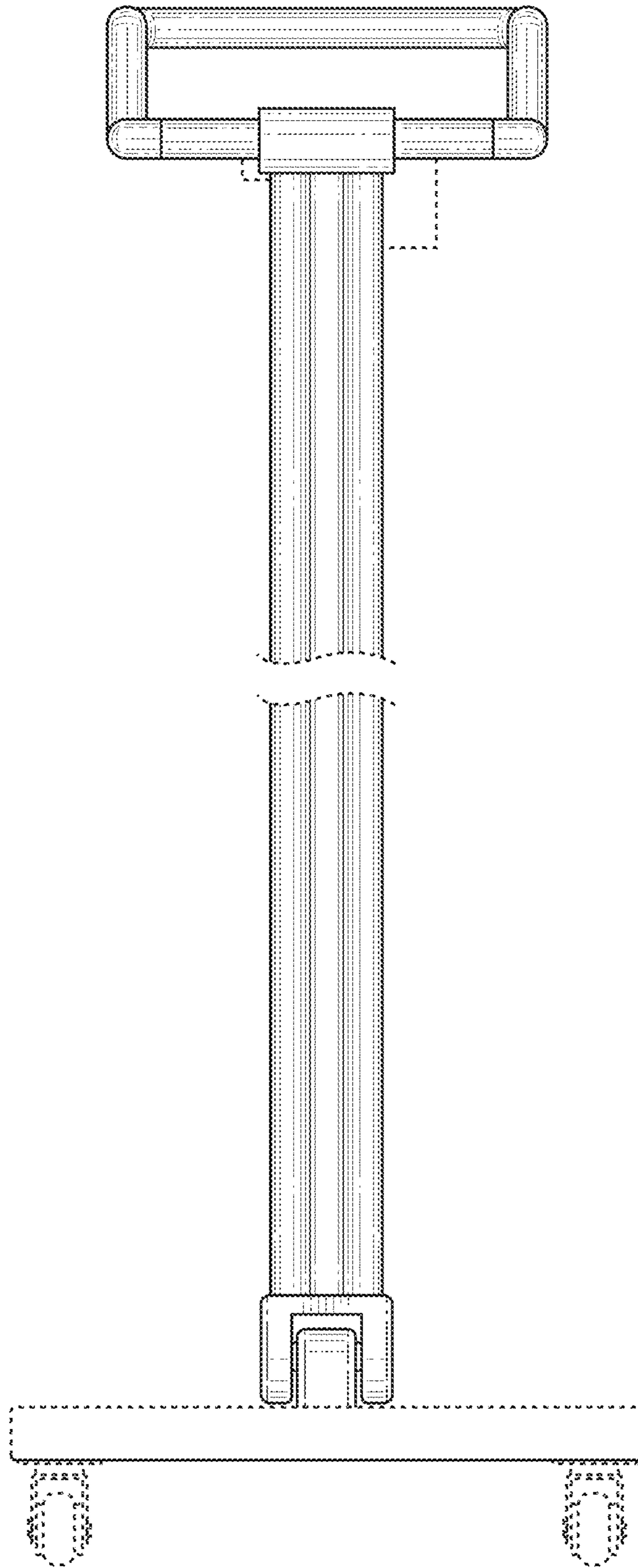


FIG. 4

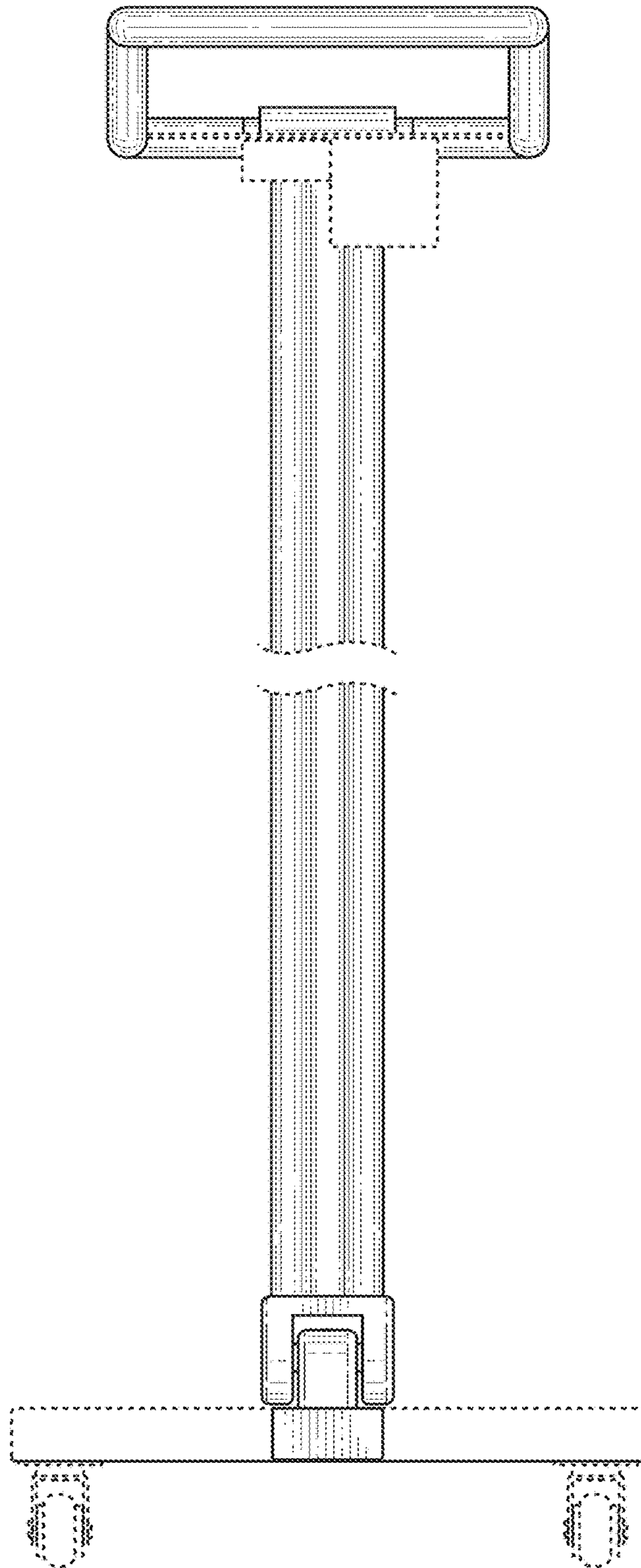


FIG. 5

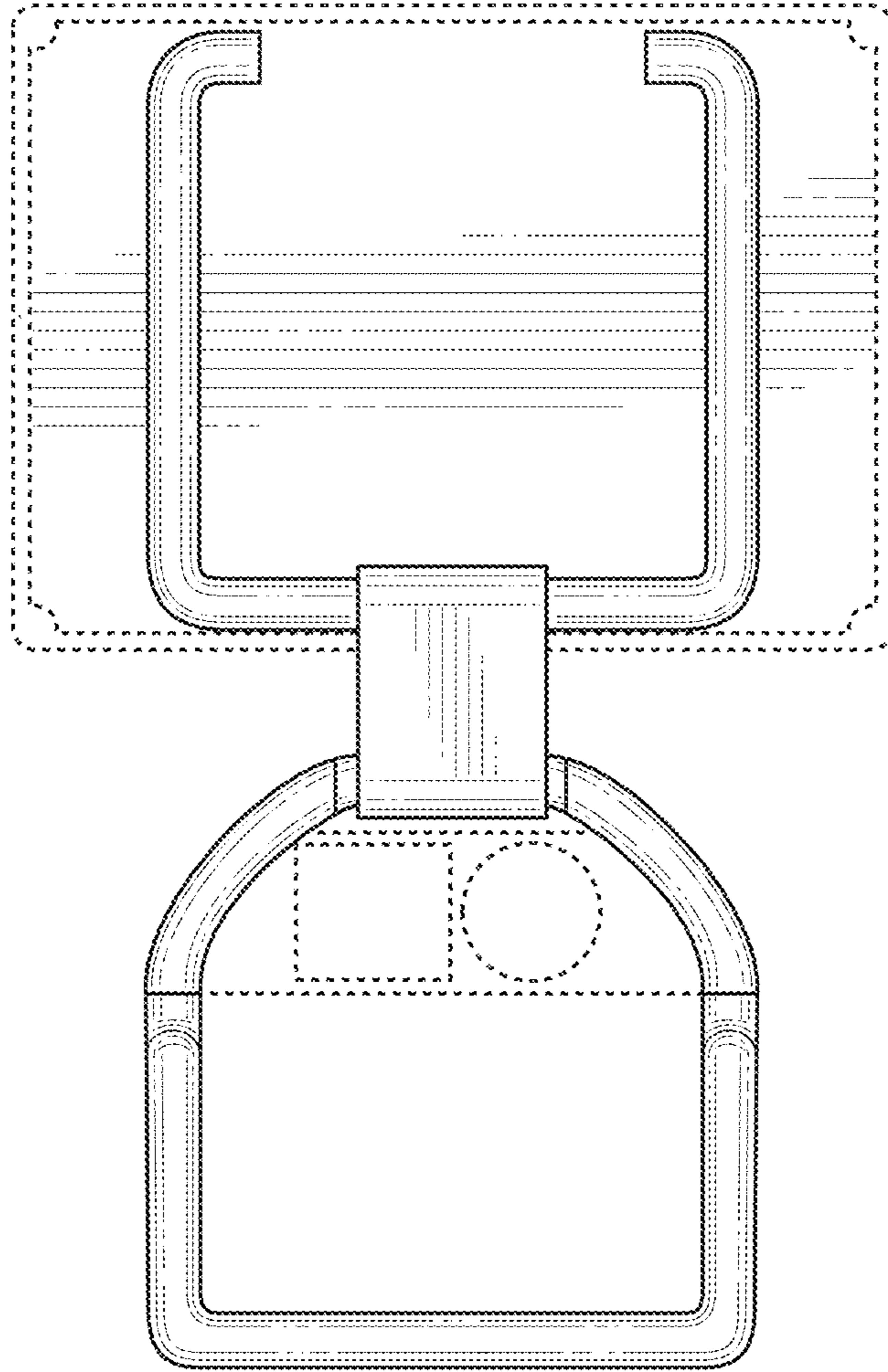


FIG. 6

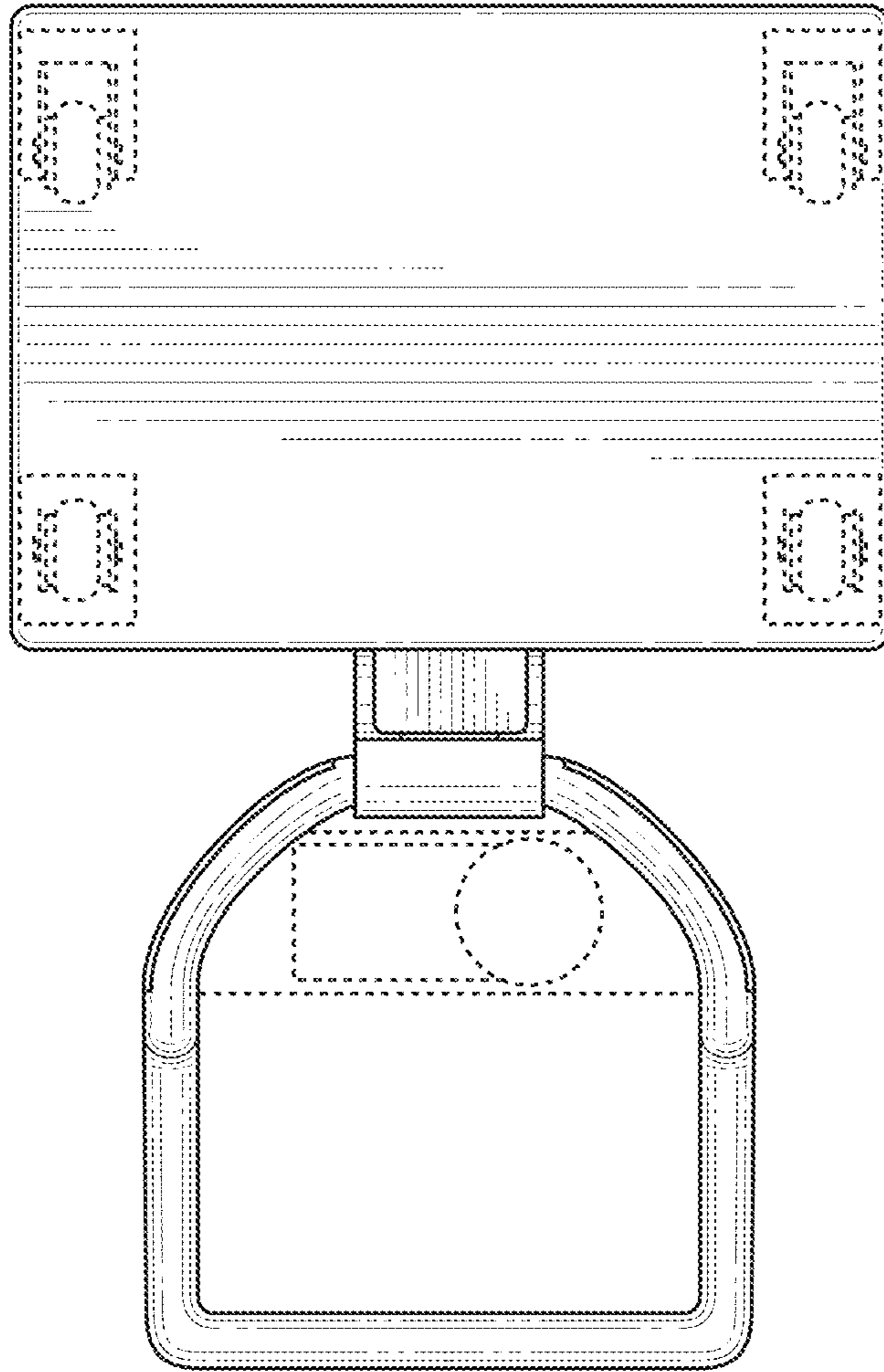


FIG. 7