



US00D867708S

(12) **United States Design Patent**
Bergman et al.

(10) **Patent No.:** **US D867,708 S**

(45) **Date of Patent:** **** *Nov. 19, 2019**

(54) **PAINT CONTAINER**

(71) Applicant: **Bercom International, LLC**,
Chanhasen, MN (US)

(72) Inventors: **Mark W. Bergman**, Minnetonka, MN
(US); **Jeffrey T. Given**, St. Paul, MN
(US); **Matthew V. Leyden**, St. Paul,
MN (US); **Jeffrey B. Waffensmith**,
North Oaks, MN (US)

(73) Assignee: **Bercom International, LLC**,
Chanhasen, MN (US)

(*) Notice: This patent is subject to a terminal dis-
claimer.

(**) Term: **15 Years**

(21) Appl. No.: **29/671,364**

(22) Filed: **Nov. 27, 2018**

Related U.S. Application Data

(62) Division of application No. 29/610,298, filed on Jul.
11, 2017, now Pat. No. Des. 838,072, which is a
division of application No. 29/564,143, filed on May
11, 2016, now Pat. No. Des. 794,892.

(51) **LOC (12) Cl.** **07-05**

(52) **U.S. Cl.**
USPC **D32/53.1**

(58) **Field of Classification Search**
USPC D32/53.1, 53, 54
CPC B65D 25/04; B65D 25/10
See application file for complete search history.

(56) **References Cited**

U.S. PATENT DOCUMENTS

D353,241 S * 12/1994 Breen D32/53
5,810,196 A * 9/1998 Lundy B44D 3/128
220/23.8

D460,845 S * 7/2002 Bergman D32/53.1
7,191,913 B2 * 3/2007 Byrne B44D 3/121
220/570
D617,517 S * 6/2010 Bergman D32/53.1
D673,339 S * 12/2012 Bergman D32/54
D678,638 S * 3/2013 Bergman D32/54
D692,198 S * 10/2013 Bergman D32/54
D697,281 S * 1/2014 Bergman D32/53.1
D702,907 S * 4/2014 Bergman D32/54
D737,632 S * 9/2015 Miller D7/536
D762,033 S * 7/2016 Gooden D32/53
D794,892 S * 8/2017 Bergman D32/53.1
D796,140 S * 8/2017 Bergman D32/53.1
10,077,138 B2 * 9/2018 Albrecht B65D 25/32
D836,875 S * 12/2018 Bergman D32/53.1

(Continued)

Primary Examiner — Kevin K Rudzinski

(74) *Attorney, Agent, or Firm* — James L. Young;
Westman, Champlin & Koehler P.A.

(57) **CLAIM**

The ornamental design for a paint container, as shown and
described.

DESCRIPTION

FIG. 1 is a top, right side and back perspective view of paint
container;

FIG. 2 is a bottom, left side and back perspective view of the
container of FIG. 1;

FIG. 3 is a left side view of the container of FIG. 1;

FIG. 4 is a right side view of the container of FIG. 1;

FIG. 5 is a back view of the container of FIG. 1;

FIG. 6 is a front view of the container of FIG. 1;

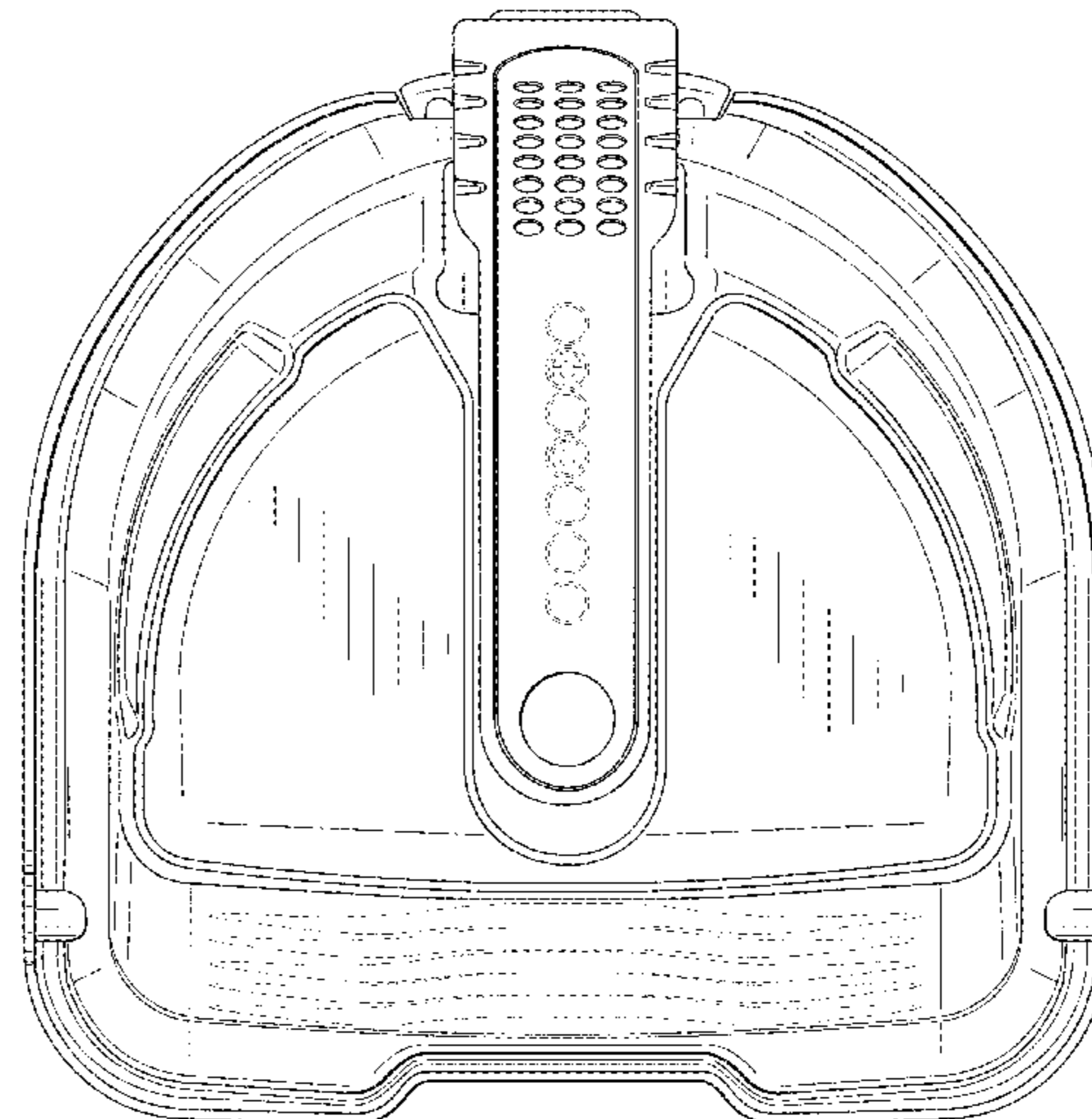
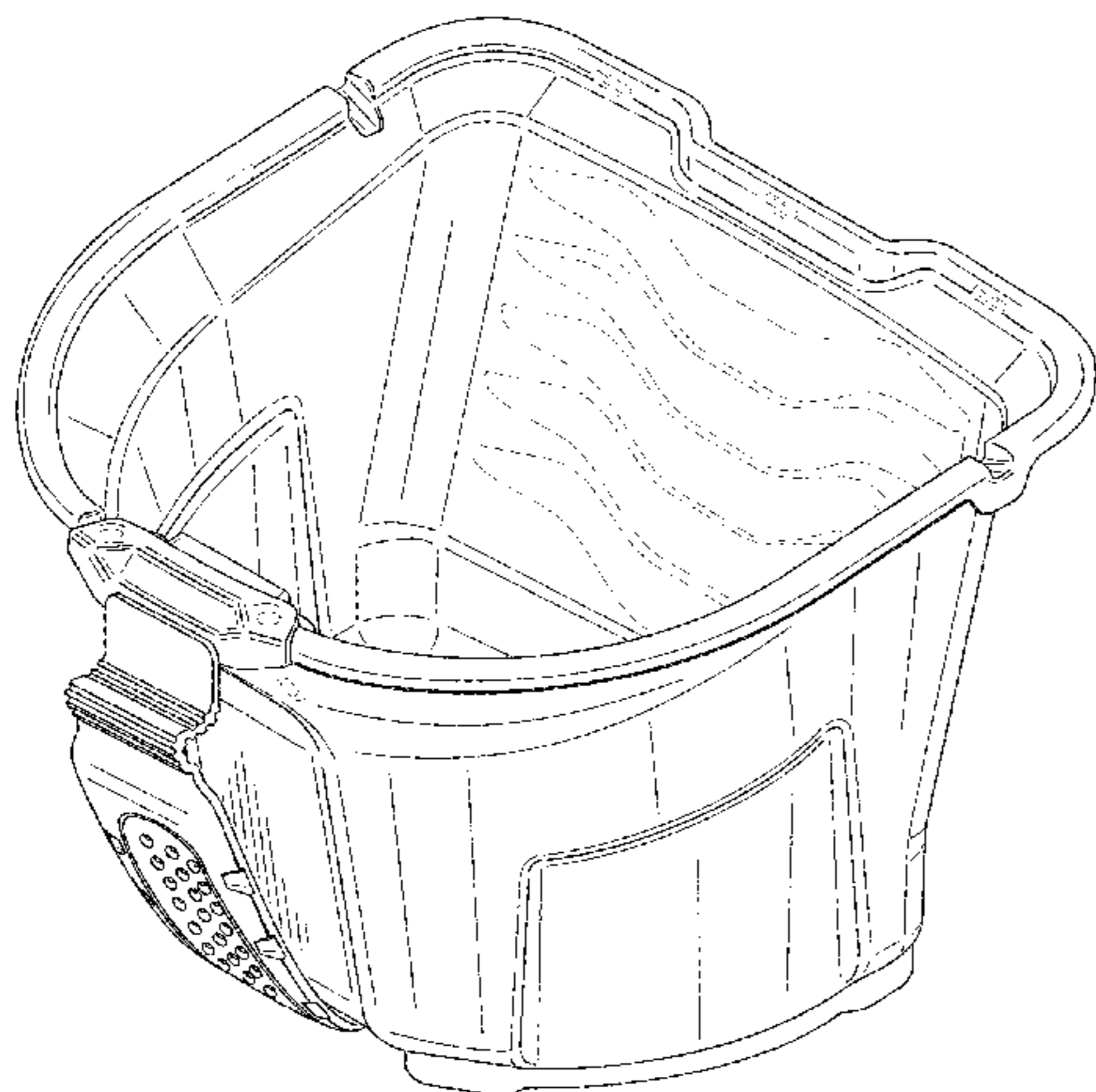
FIG. 7 is a top view of the container of FIG. 1; and,

FIG. 8 is a bottom view of the container of FIG. 1.

The broken lines illustrating portions of the paint container
form no part of the claimed design.

The dot-dashed-dot lines in the FIGS. represent the border
between claimed and unclaimed subject matter and form no
part of the claimed design.

1 Claim, 8 Drawing Sheets



(56)

References Cited

U.S. PATENT DOCUMENTS

D836,876 S *	12/2018	Bergman	D32/53.1
D838,072 S *	1/2019	Bergman	D32/53.1
2002/0036206 A1 *	3/2002	Bergman	B44D 3/12 220/754
2004/0206761 A1 *	10/2004	Frantz	B44D 3/126 220/570
2006/0219720 A1 *	10/2006	Lundy	B44D 3/12 220/505
2006/0243732 A1 *	11/2006	Bergman	B44D 3/126 220/757
2012/0037634 A1 *	2/2012	Kiceniuk, Jr.	B44D 3/121 220/495.02

* cited by examiner

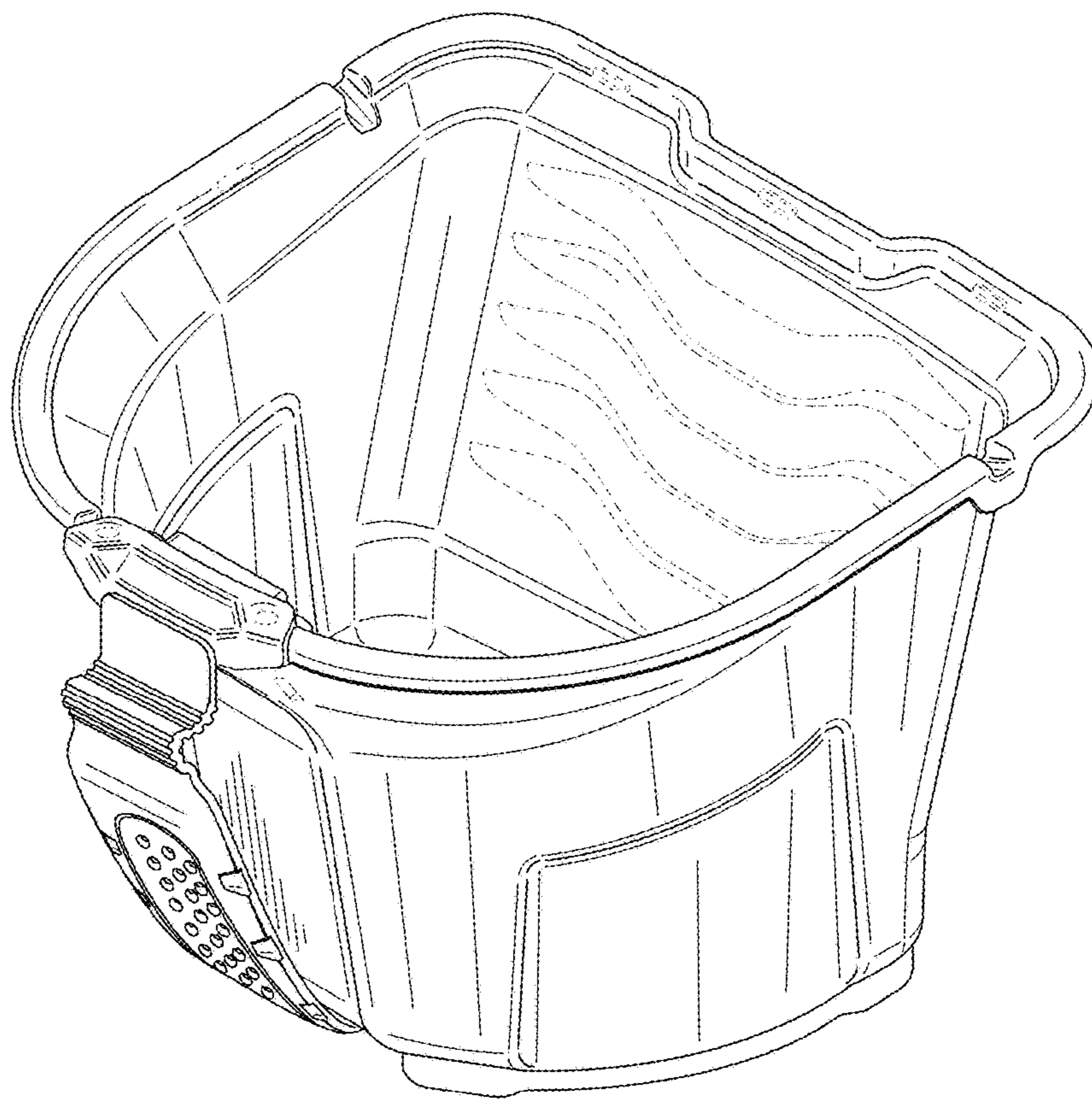


Fig. 1

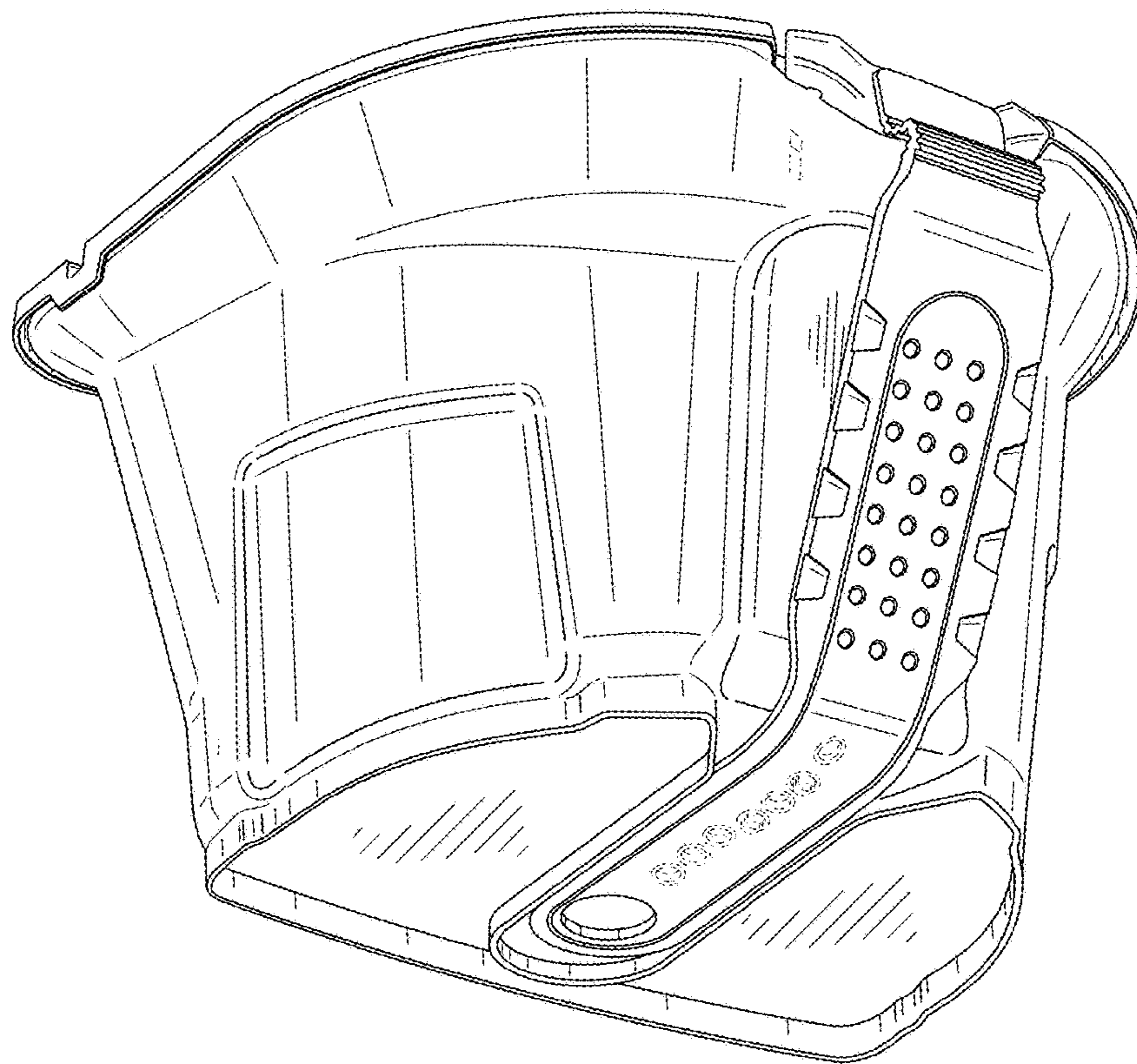


Fig. 2

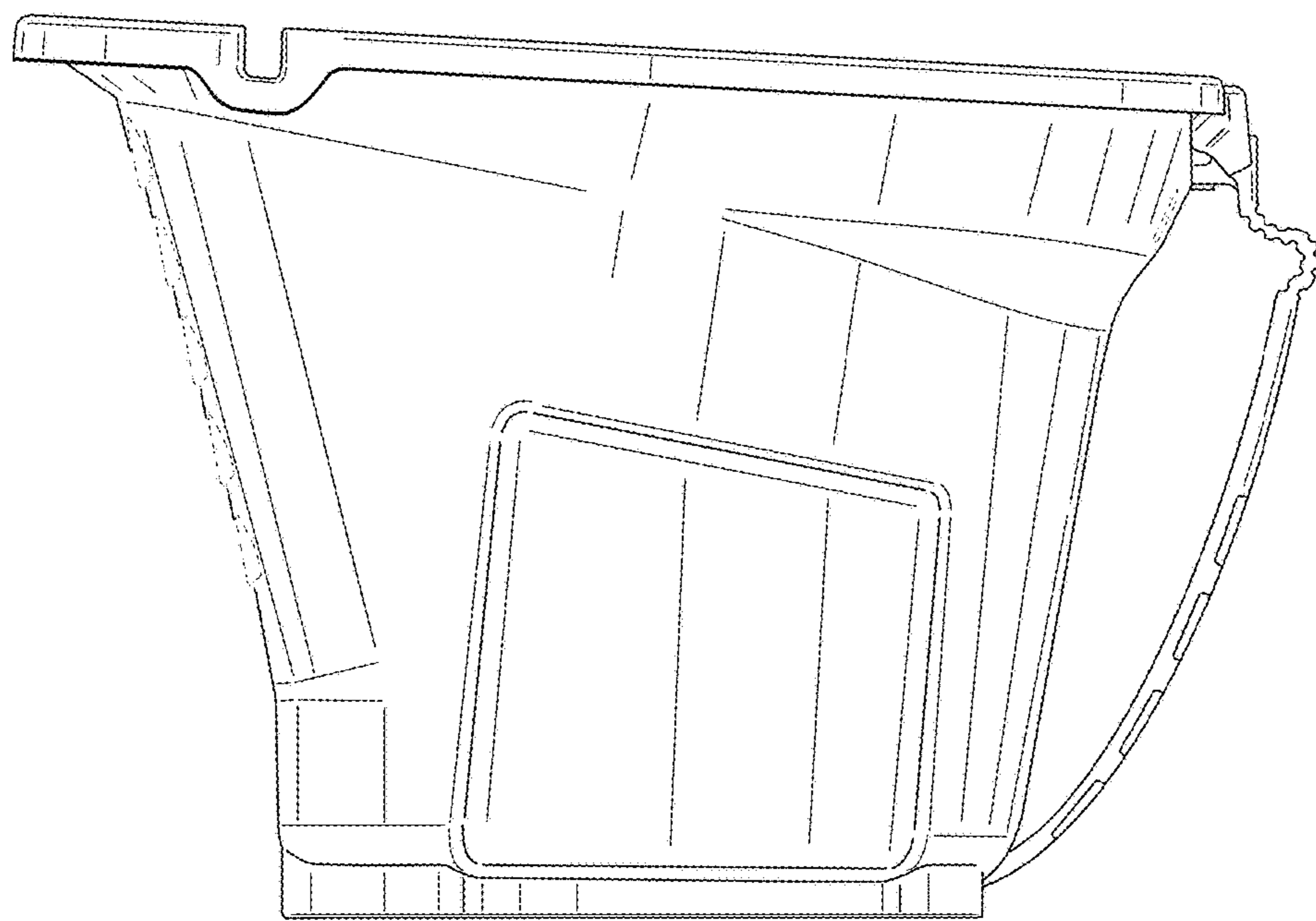


Fig. 3

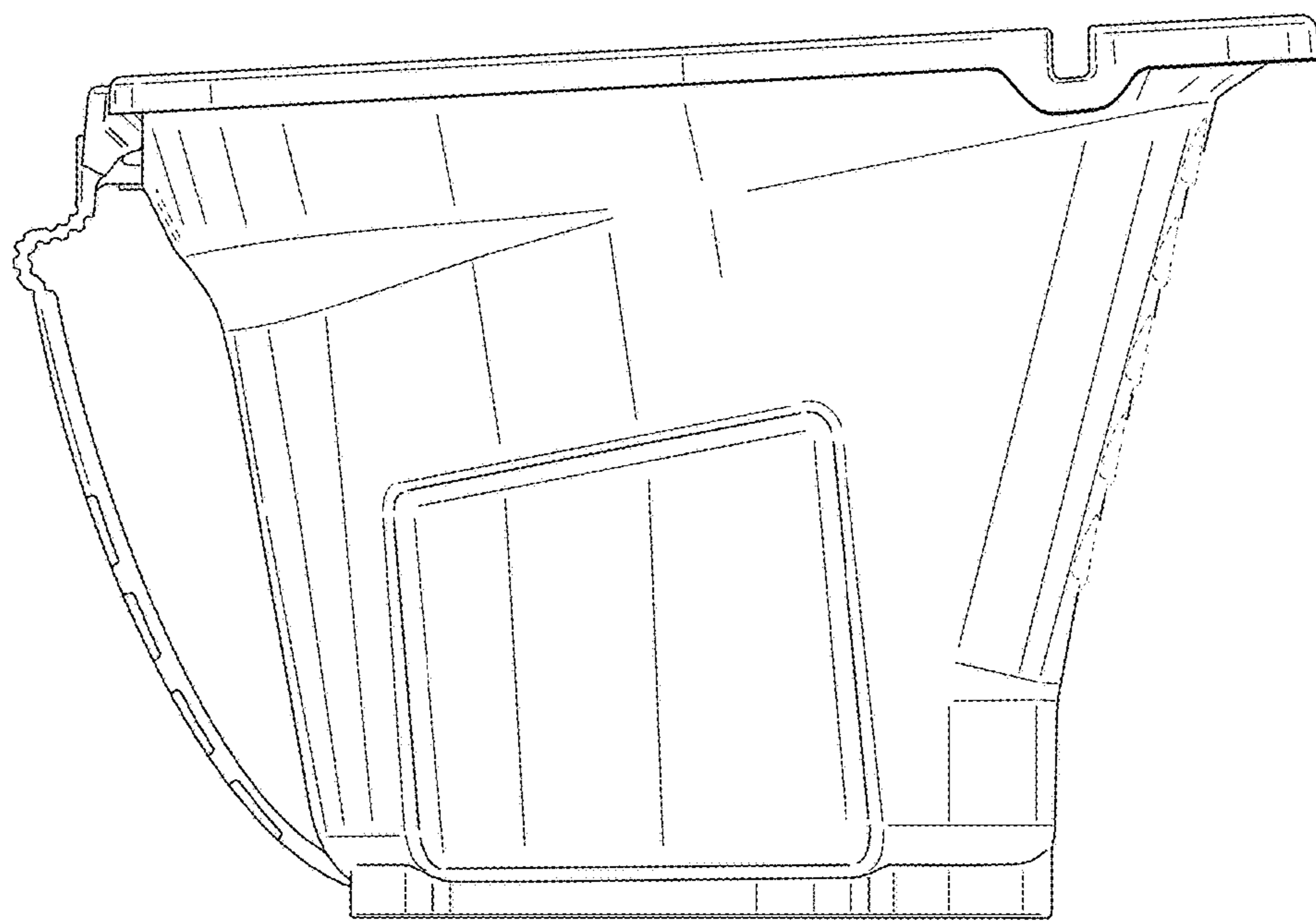


Fig. 4

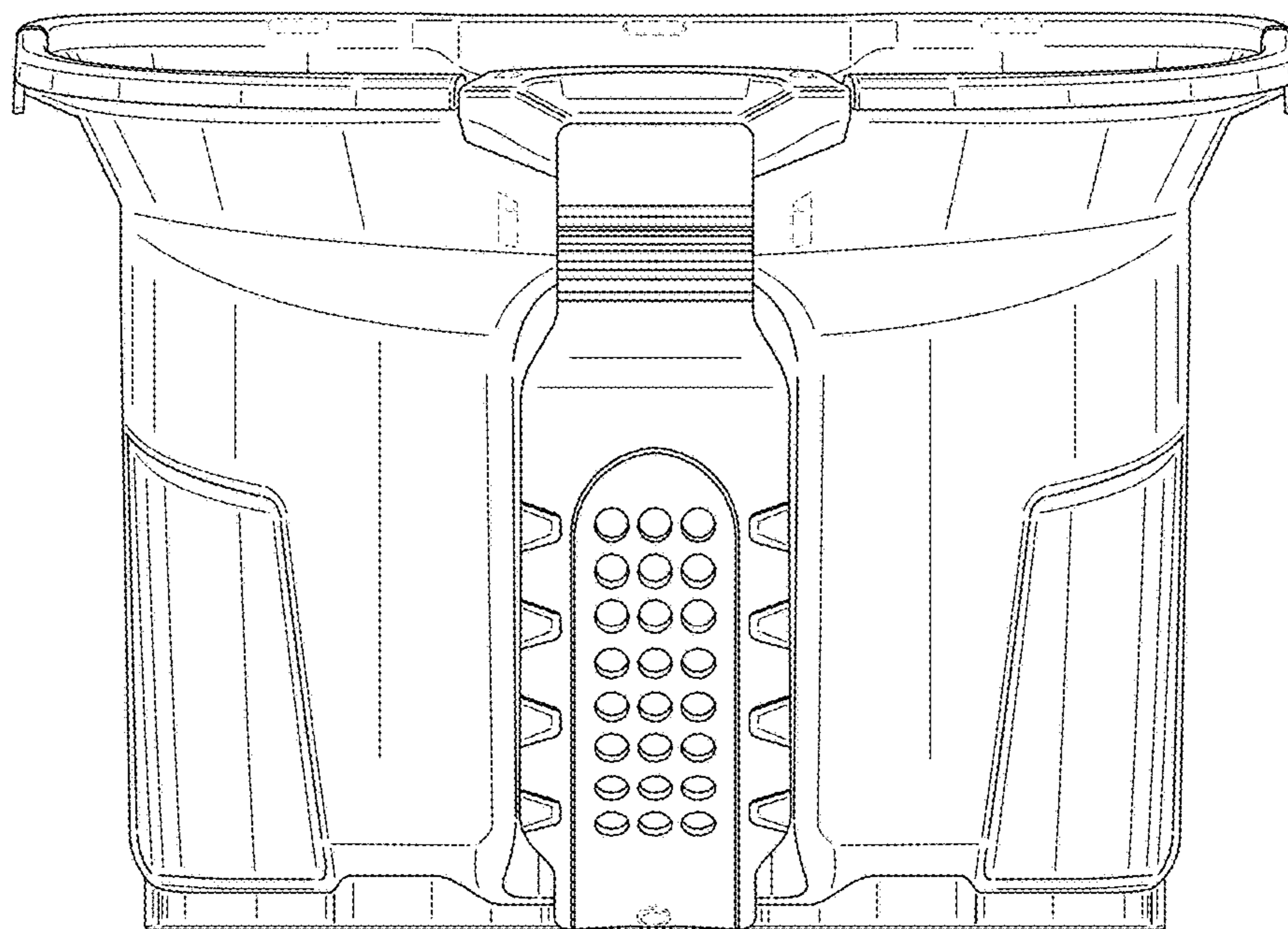


Fig. 5

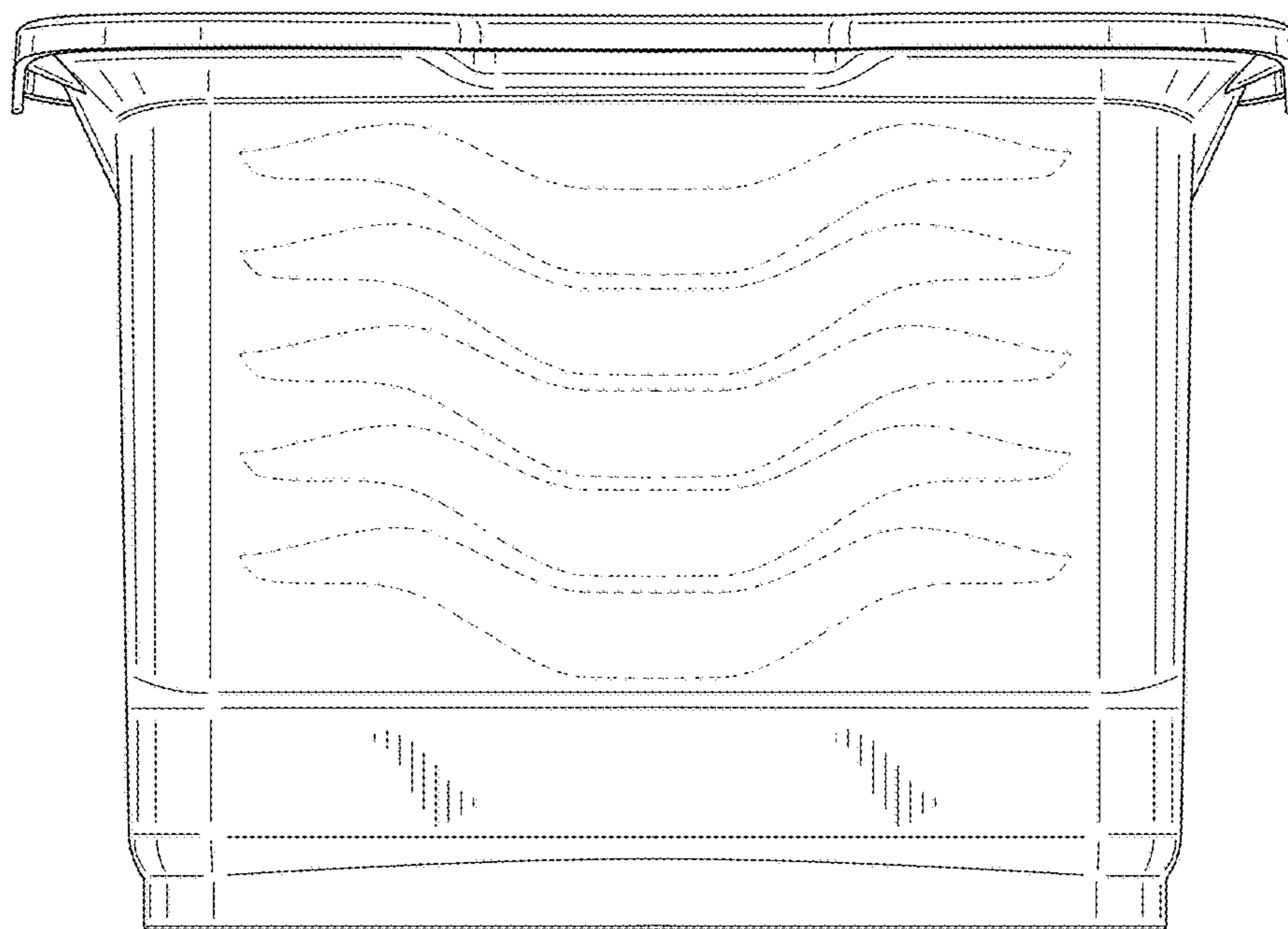


Fig. 6

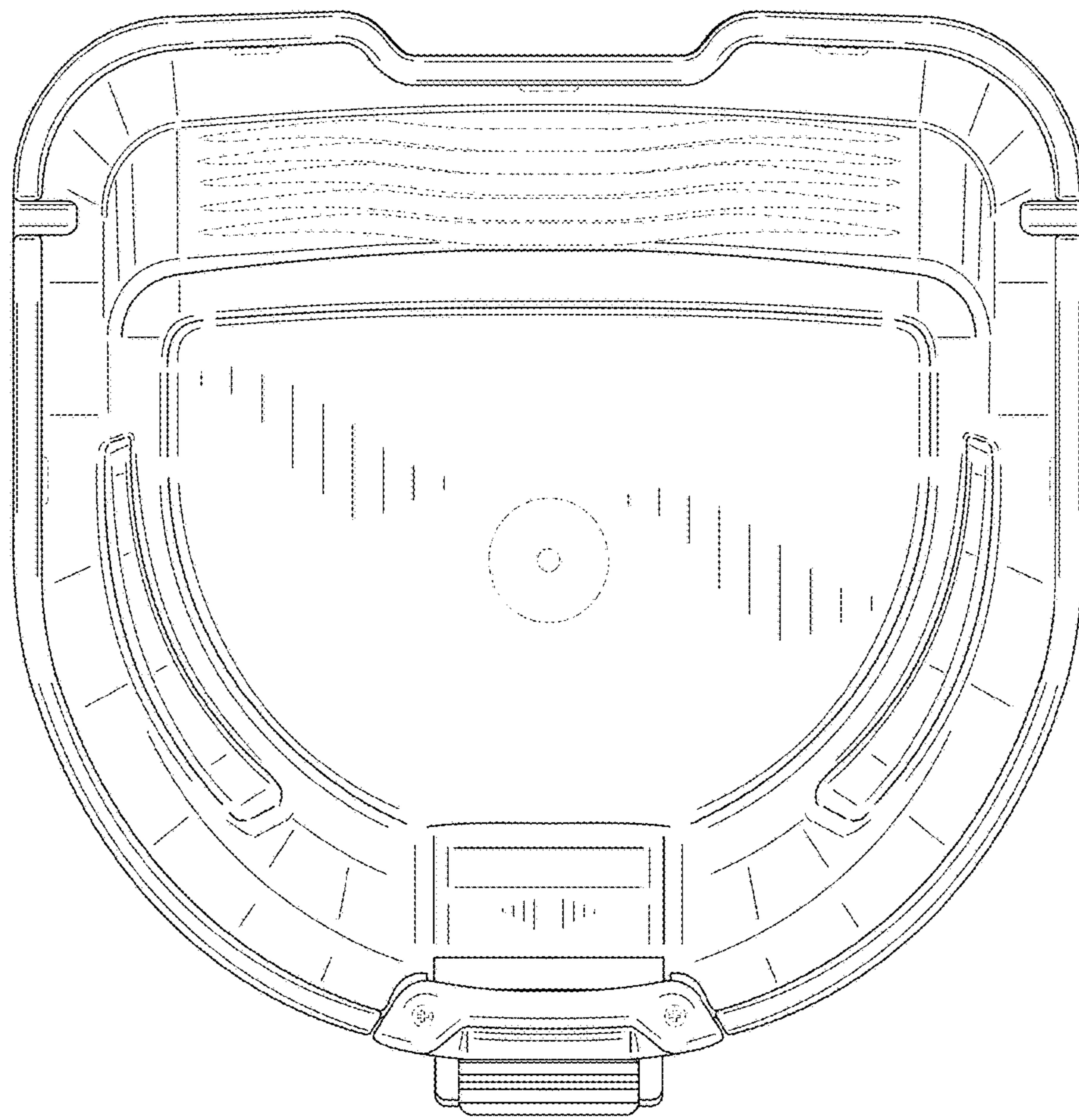


Fig. 7

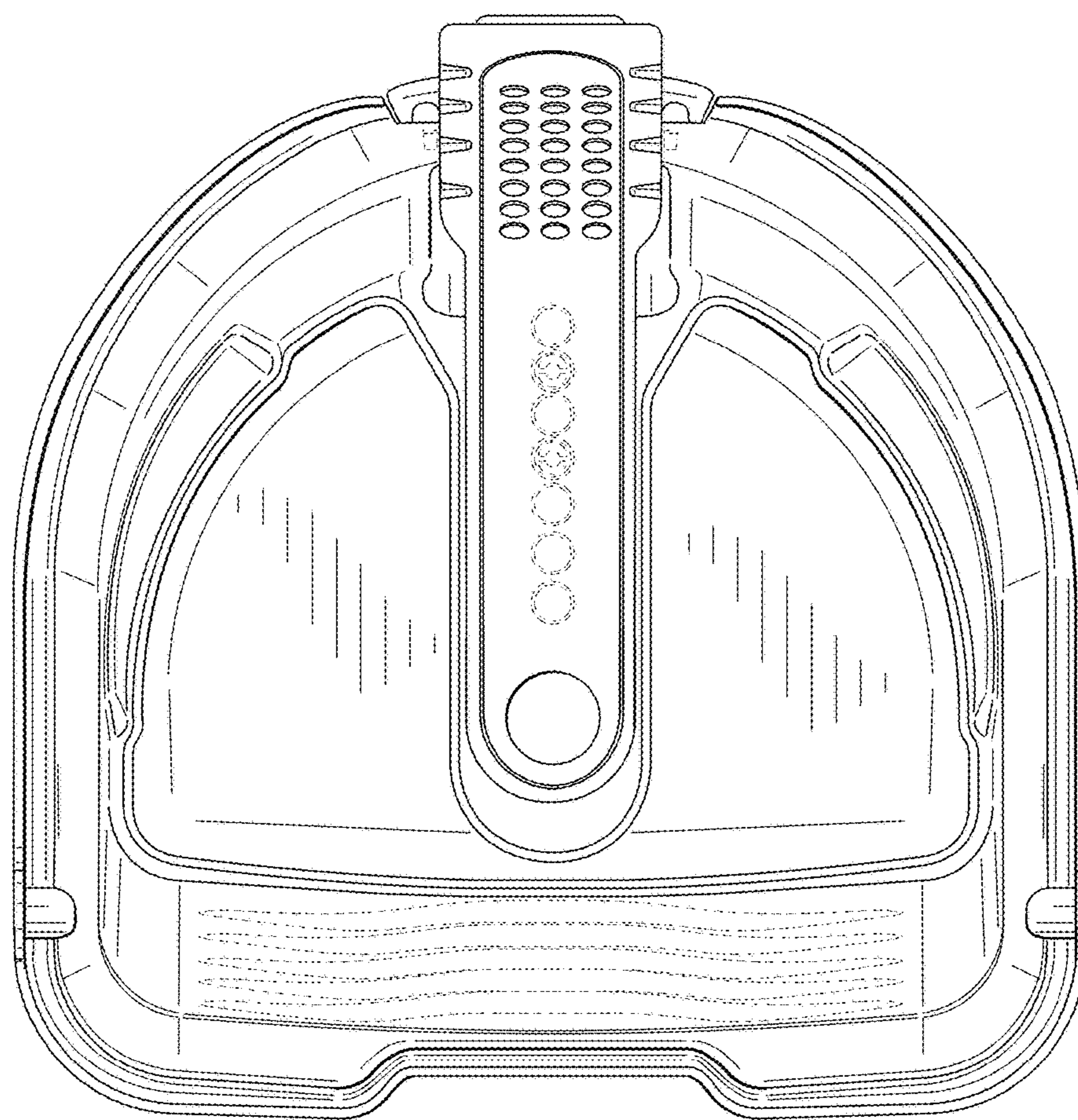


Fig. 8