



US00D867706S

(12) **United States Design Patent**
Maenza

(10) **Patent No.:** **US D867,706 S**

(45) **Date of Patent:** **** Nov. 19, 2019**

- (54) **SURFACE SKIMMER**
- (71) Applicant: **Roye Maenza**, Wichita Falls, TX (US)
- (72) Inventor: **Roye Maenza**, Wichita Falls, TX (US)
- (**) Term: **15 Years**
- (21) Appl. No.: **29/664,111**
- (22) Filed: **Sep. 21, 2018**
- (51) **LOC (12) Cl.** **08-99**
- (52) **U.S. Cl.**
USPC **D32/46; D32/35**
- (58) **Field of Classification Search**
USPC D32/35, 46, 49, 42; D22/135;
D23/209-210
CPC A47L 13/08; A47L 17/06; A47L 13/022;
A47L 1/16; B29C 63/0047; A63F 3/068;
B60S 3/045; B27G 17/00; B60J 3/0295;
B25G 3/26; B25G 1/04; B25B 13/48;
A45B 9/02; B05C 17/0205
See application file for complete search history.

- 5,473,786 A * 12/1995 Resh B01D 29/27
15/1.7
- 5,918,389 A 7/1999 Hall
- 6,132,604 A 10/2000 Kirchoff
- 6,243,975 B1 6/2001 Gall
- 6,302,277 B1 * 10/2001 Resh B01D 29/27
15/1.7
- D488,602 S * 4/2004 Pecci D32/35
- D492,825 S * 7/2004 Pecci D32/35
- 7,581,340 B2 9/2009 Wolfe
- D638,182 S * 5/2011 Rossano D32/35
- D638,183 S * 5/2011 Rossano D32/35
- 7,984,811 B2 7/2011 Gonzalez
- D761,498 S * 7/2016 Minter D30/162
- D762,929 S * 8/2016 Minter D30/162
- D763,520 S * 8/2016 Runyan D30/162
- D814,728 S * 4/2018 Duve D32/46
- 2006/0016047 A1 1/2006 Blackman et al.

* cited by examiner

Primary Examiner — Michelle E. Wilson
(74) *Attorney, Agent, or Firm* — Law Office of Jeff Williams PLLC; J. Oliver Williams

(57) **CLAIM**

The ornamental design for a surface skimmer, as shown and described.

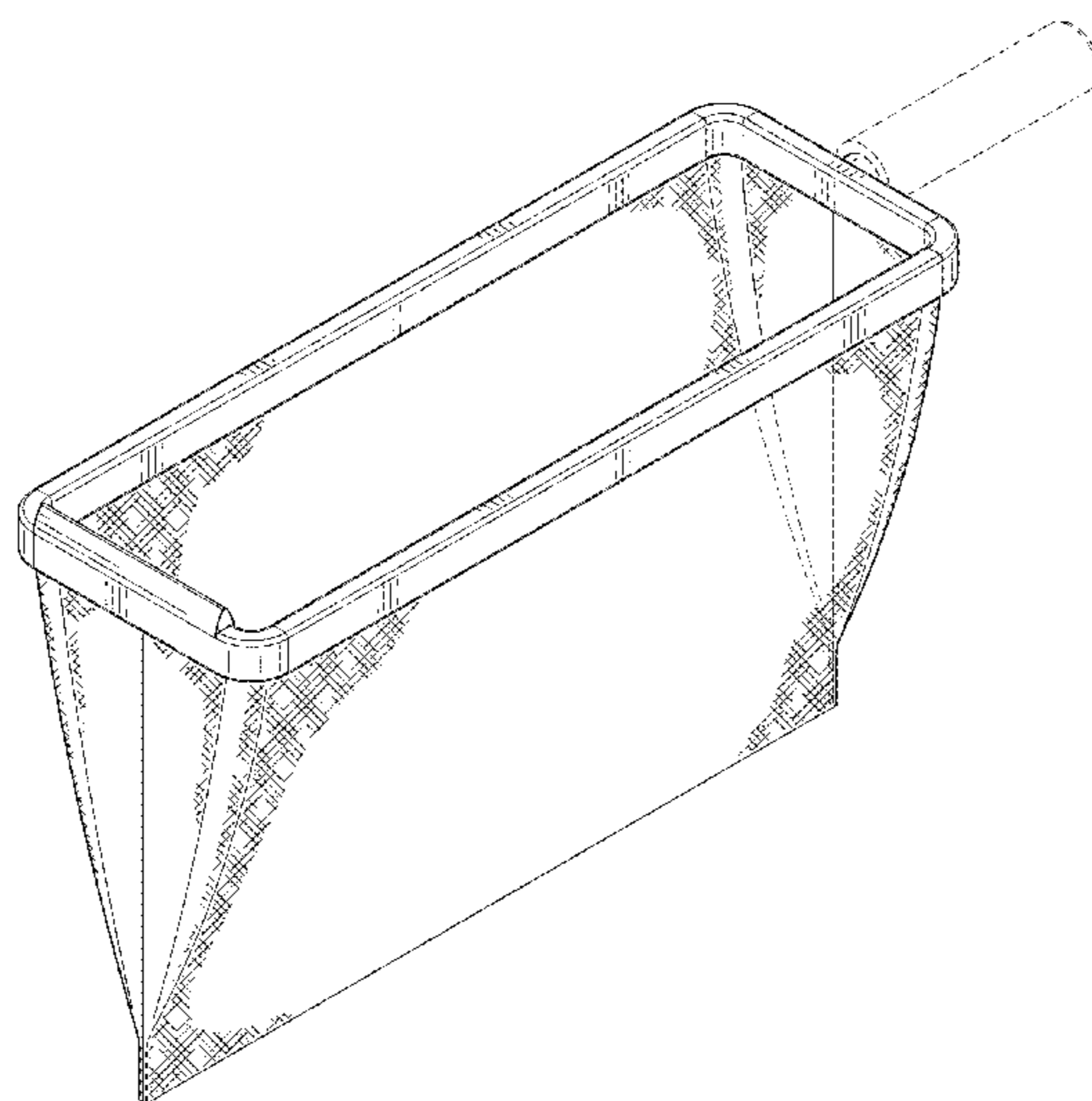
DESCRIPTION

FIG. 1 is a front perspective view of a surface skimmer according to the present application.
FIG. 2 is a front view of the surface skimmer of FIG. 1.
FIG. 3 is a rear view of the surface skimmer of FIG. 1.
FIG. 4 is a right view of the surface skimmer of FIG. 1.
FIG. 5 is a left view of the surface skimmer of FIG. 1.
FIG. 6 is a top view of the surface skimmer of FIG. 1; and, FIG. 7 is a bottom view of the surface skimmer of FIG. 1.
The broken lines are included for the purpose of illustrating environmental structure and form no part of the claimed design.

1 Claim, 6 Drawing Sheets

(56) **References Cited**
U.S. PATENT DOCUMENTS

- 3,220,037 A * 11/1965 Ruhling E04H 4/1609
15/1.7
- 3,469,330 A 9/1969 Hood et al.
- 3,523,380 A 8/1970 Bolyard et al.
- 4,009,529 A 3/1977 Johnson
- 4,176,419 A * 12/1979 MacDonald A46B 15/0055
15/1.7
- 4,481,117 A * 11/1984 Collins B01D 29/111
210/776
- 4,846,972 A * 7/1989 Anderson E04H 4/1609
15/1.7
- D330,444 S * 10/1992 Wall D22/135
- 5,212,897 A 5/1993 Jefferson
- 5,253,449 A 10/1993 Webb et al.



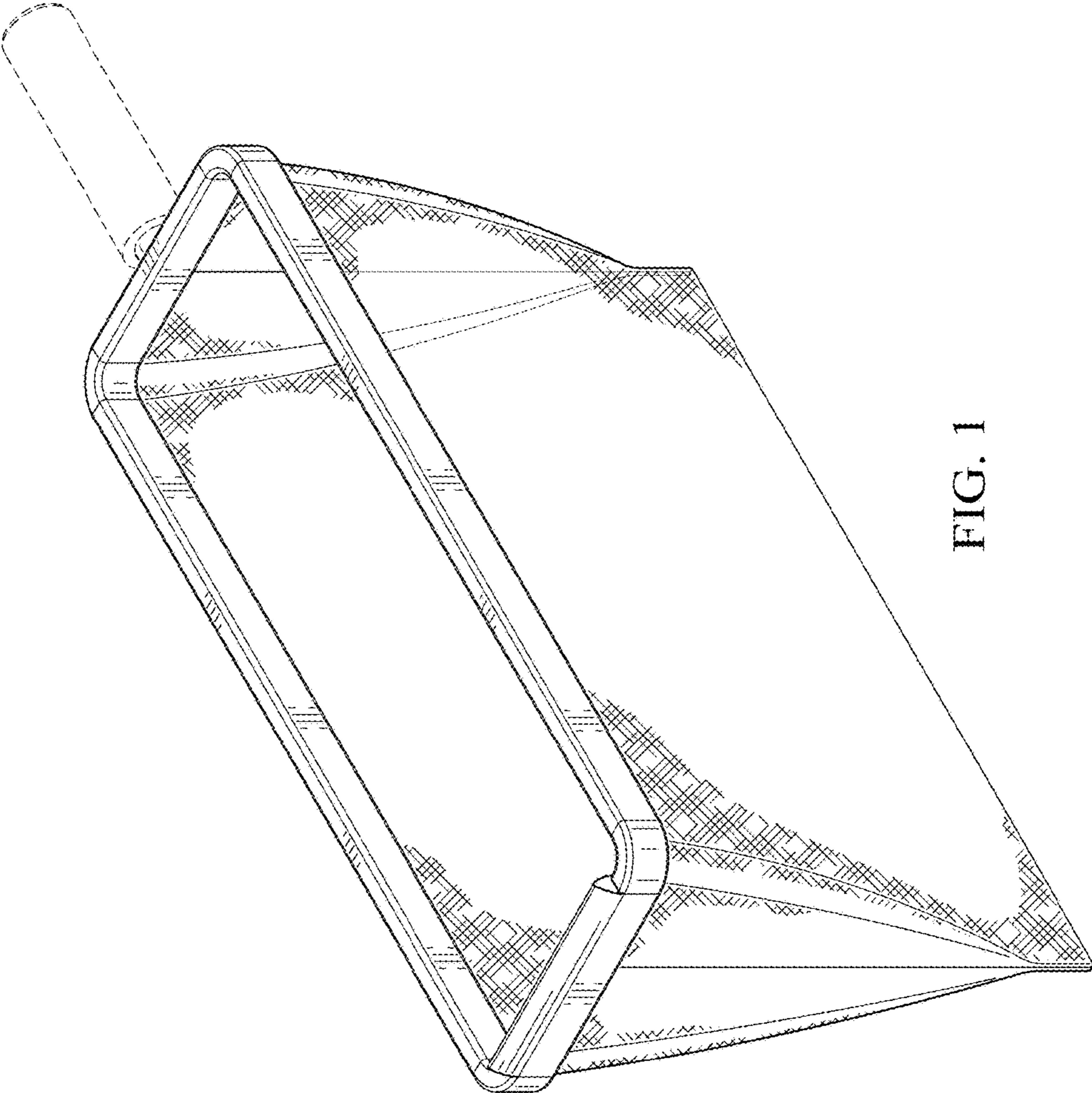


FIG. 1

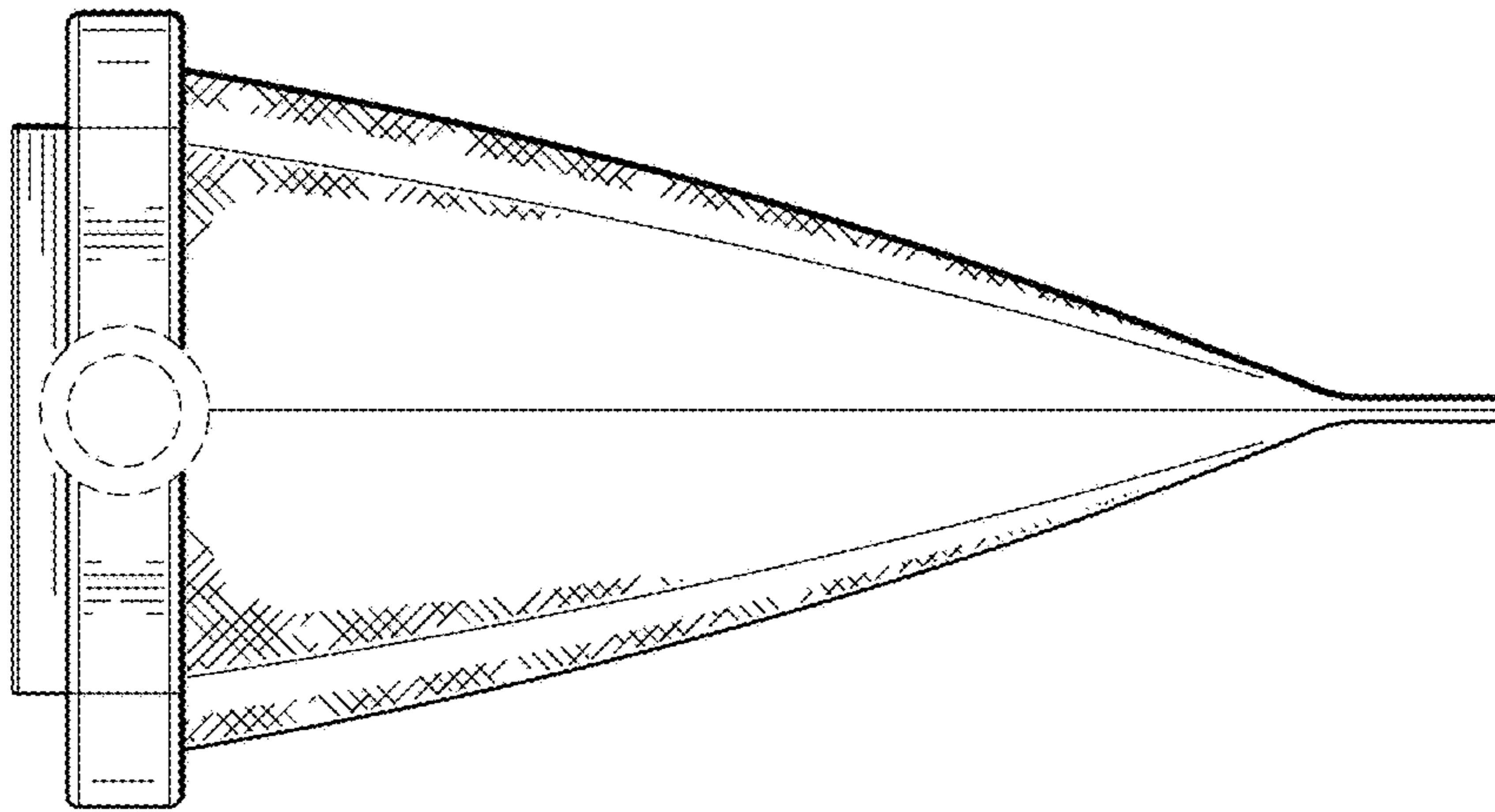


FIG. 3

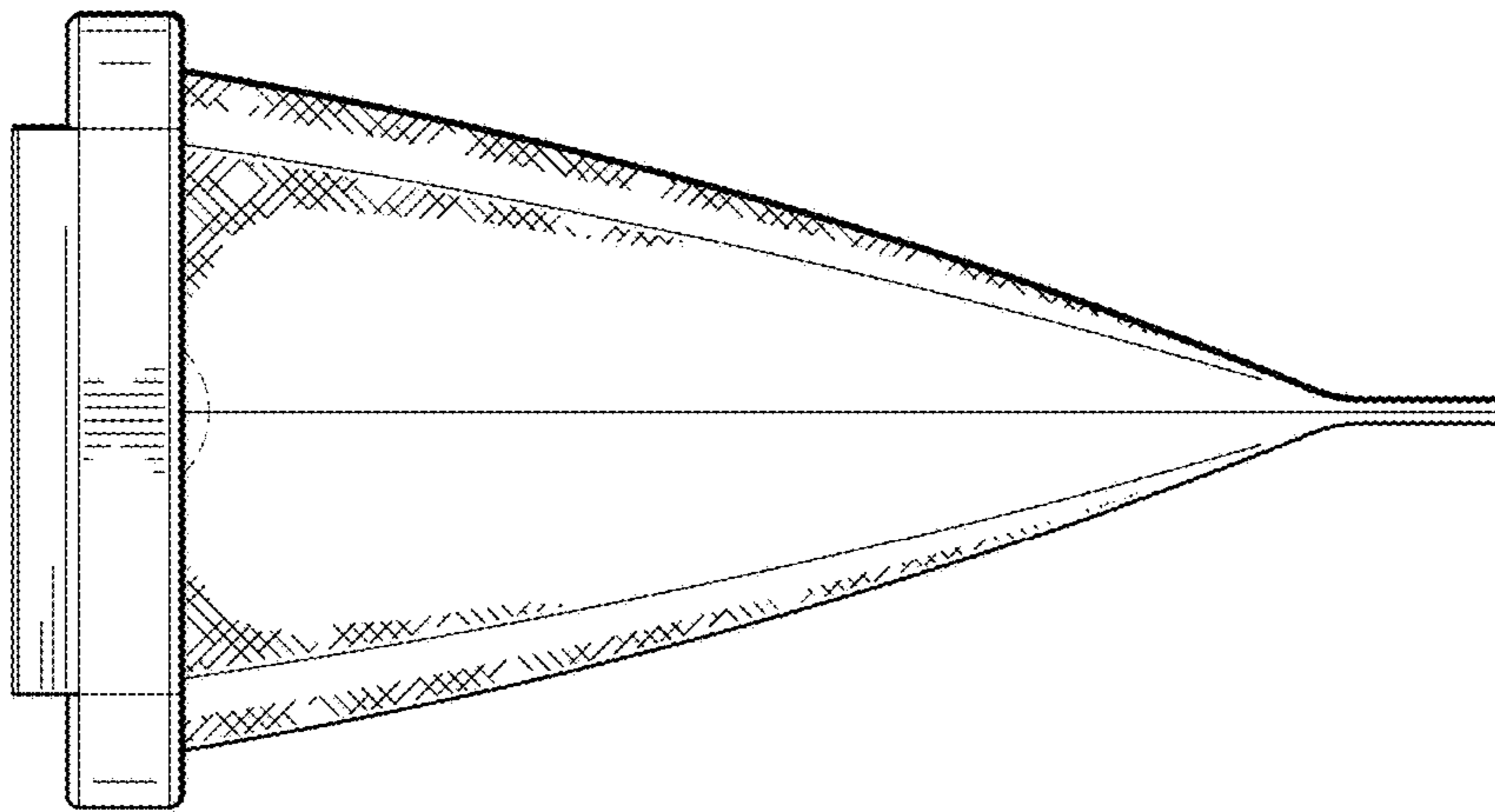


FIG. 2

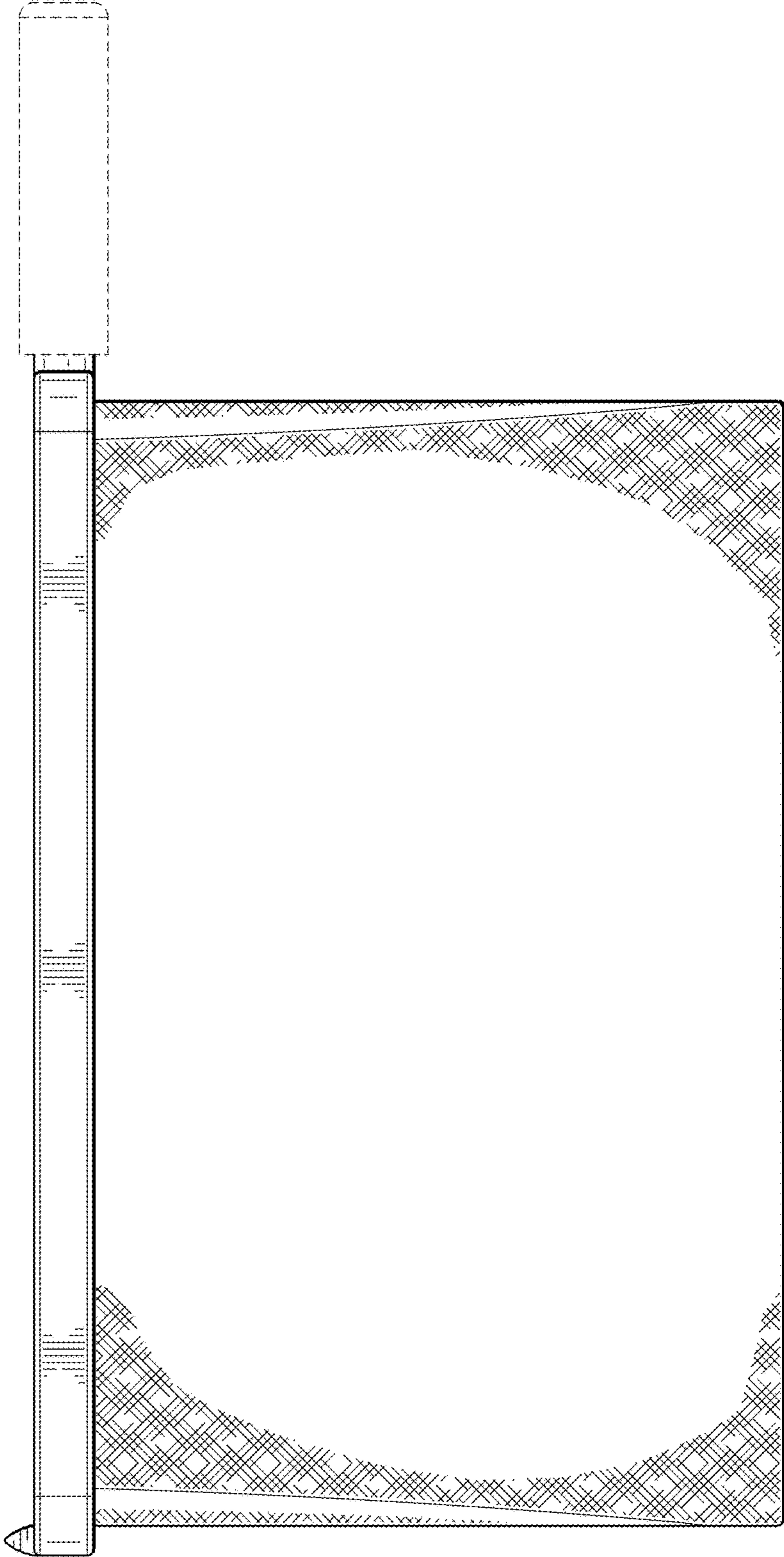


FIG. 4

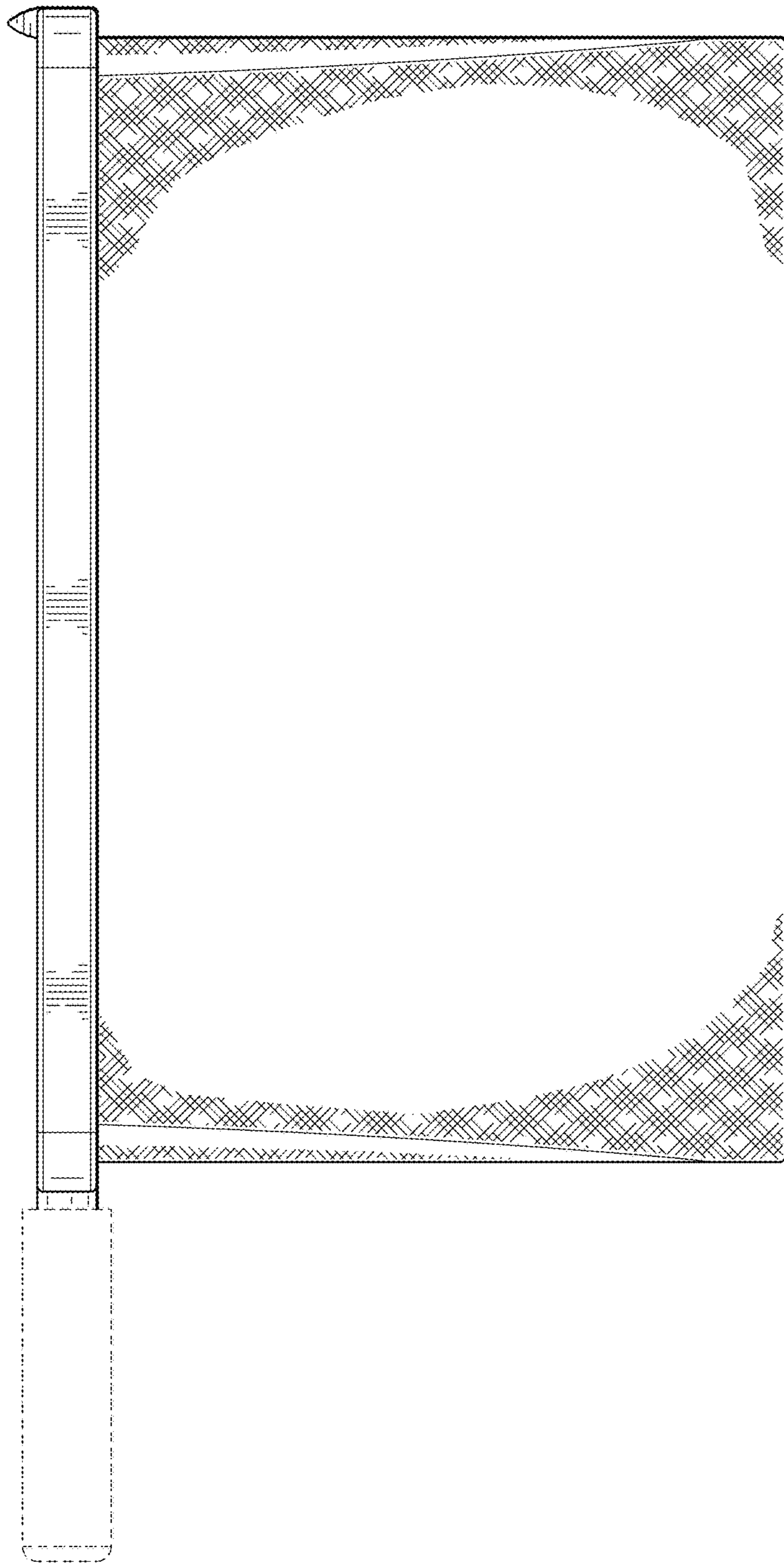


FIG. 5

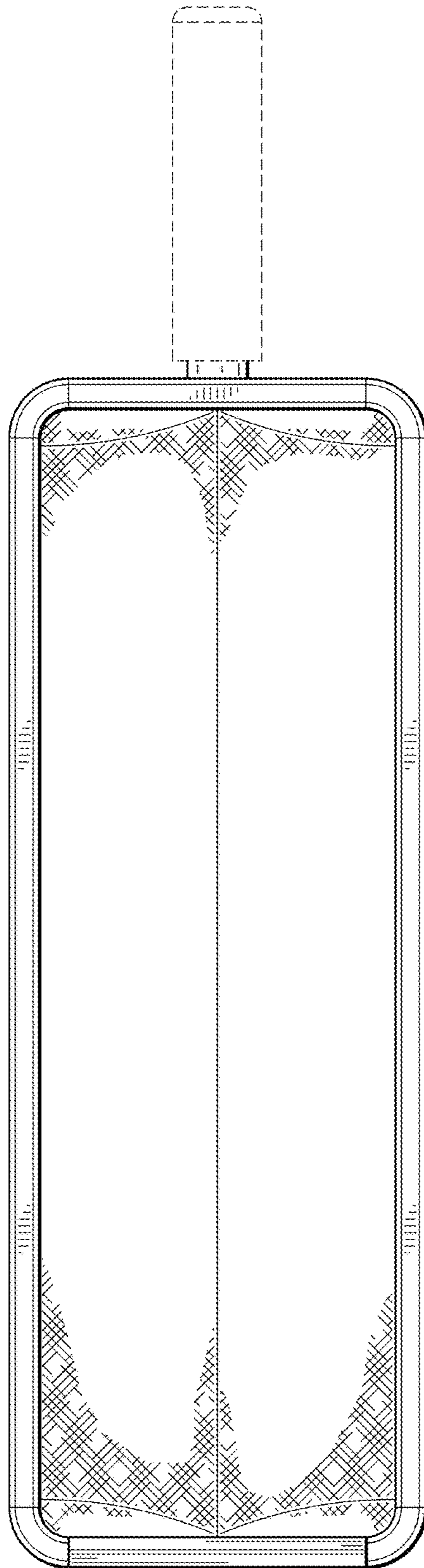


FIG. 6

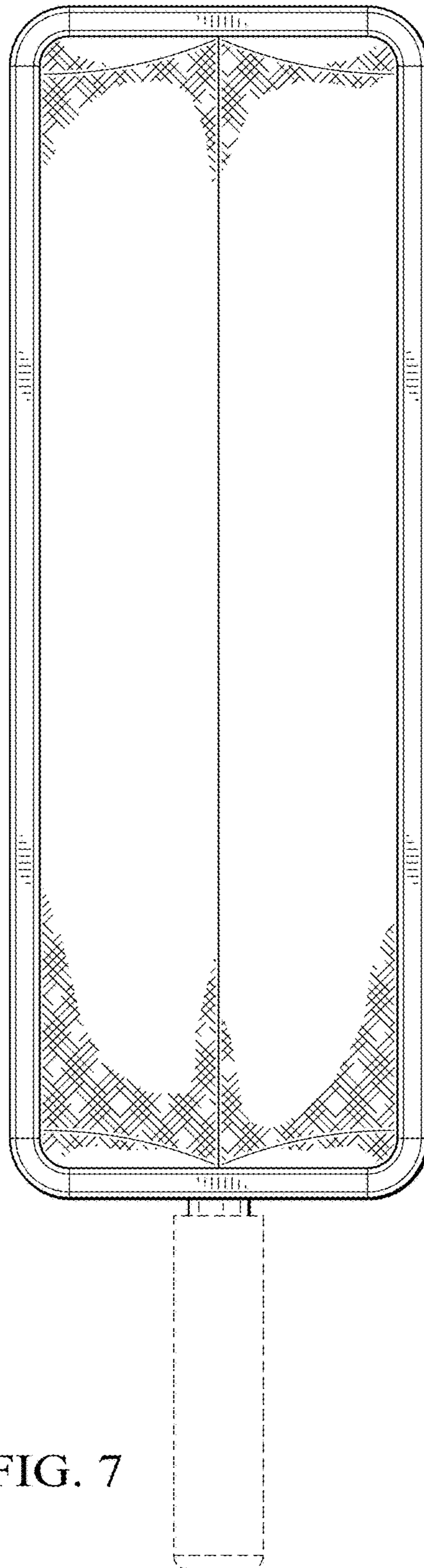


FIG. 7