



US00D867704S

(12) **United States Design Patent** (10) **Patent No.:** **US D867,704 S**  
**Hagee** (45) **Date of Patent:** **\*\* \*Nov. 19, 2019**

(54) **CLEANING PAD WITH STRIPE**

(57) **CLAIM**

(71) Applicant: **The Procter & Gamble Company,**  
Cincinnati, OH (US)

The ornamental design for a cleaning pad with stripe, as shown and described.

(72) Inventor: **Richard Christopher Hagee,**  
Cincinnati, OH (US)

**DESCRIPTION**

(73) Assignee: **The Procter & Gamble Company,**  
Cincinnati, OH (US)

The file of this application contains at least one drawing executed in color. Copies of this patent or patent application publication with color drawings will be provided by the Office upon request and payment of the necessary fee.

(\*) Notice: This patent is subject to a terminal disclaimer.

FIG. 1 is a perspective view of an embodiment of a cleaning pad with stripe;

(\*\*) Term: **15 Years**

FIG. 2 is a top view of the cleaning pad with stripe of FIG. 1;

(21) Appl. No.: **29/627,636**

FIG. 3 is a bottom view of the cleaning pad with stripe of FIG. 1;

(22) Filed: **Nov. 29, 2017**

FIG. 4 is a side view of the cleaning pad with stripe of FIG. 1;

(51) **LOC (12) Cl.** ..... **07-05**

FIG. 5 is a side view of the cleaning pad with stripe of FIG. 1, opposite the side view shown in FIG. 4;

(52) **U.S. Cl.**  
USPC ..... **D32/40**

FIG. 6 is an end view of the cleaning pad with stripe of FIG. 1; and

(58) **Field of Classification Search**  
USPC ..... D32/40-43; D5/1-4, 7, 11; D14/230;  
D4/103

FIG. 7 is an end view of the cleaning pad with stripe of FIG. 1, opposite the end view shown in FIG. 6;

(Continued)

FIG. 8 is a perspective view of another embodiment of a cleaning pad with stripe;

(56) **References Cited**

**U.S. PATENT DOCUMENTS**

FIG. 9 is a top view of the cleaning pad with stripe of FIG. 8;

108,821 A \* 11/1870 Peple ..... A47L 13/16  
15/209.1

FIG. 10 is a bottom view of the cleaning pad with stripe of FIG. 8;

593,657 A \* 11/1897 Hodges ..... A47L 13/16  
15/208

FIG. 11 is a side view of the cleaning pad with stripe of FIG. 8;

(Continued)

FIG. 12 is a side view of the cleaning pad with stripe of FIG. 8, opposite the side view shown in FIG. 11;

**FOREIGN PATENT DOCUMENTS**

CN 303570620 \* 1/2016  
JP D1597269 \* 2/2018

FIG. 13 an end view of the cleaning pad with stripe of FIG. 8; and,

*Primary Examiner* — Eric L Goodman

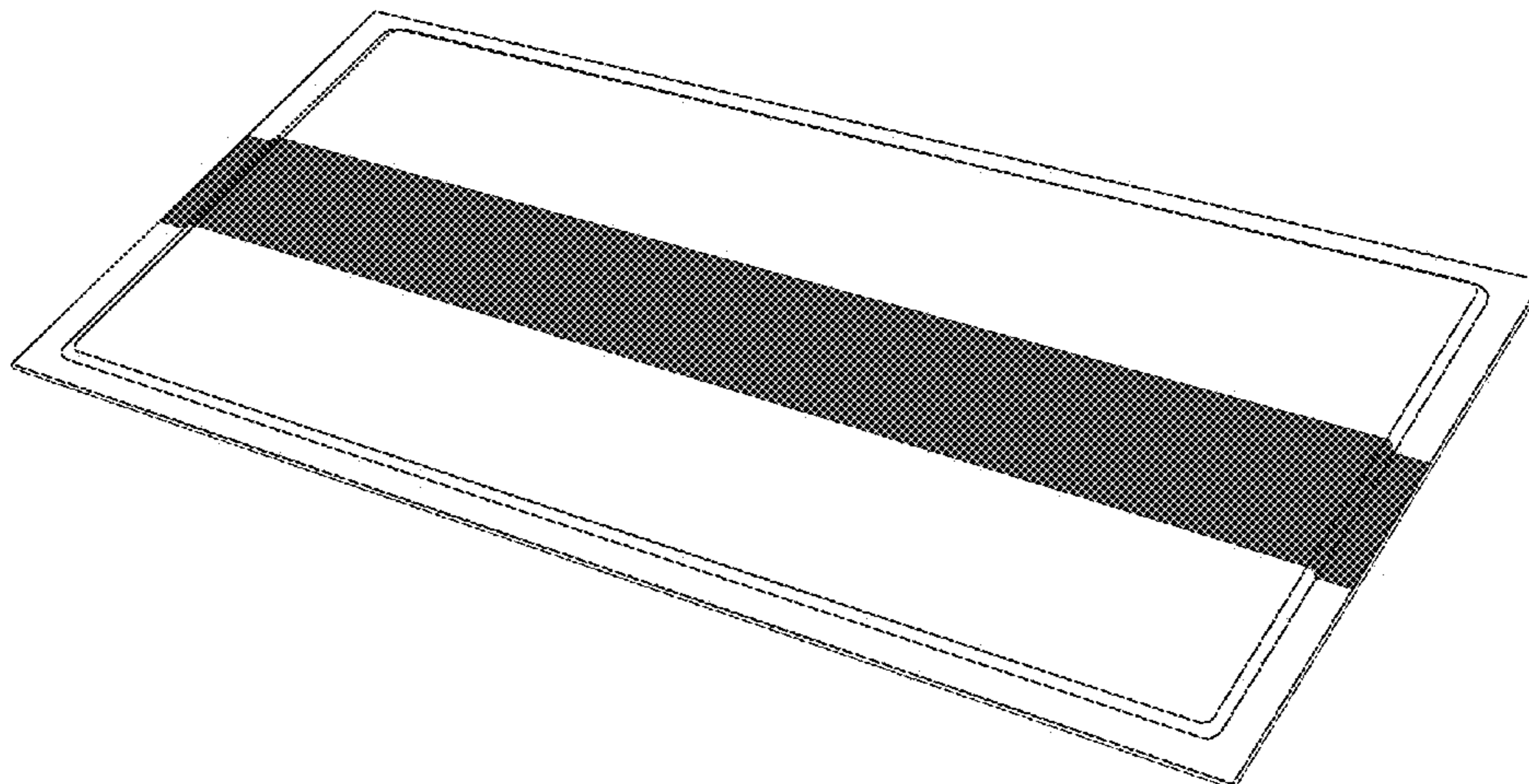
FIG. 14 is an end view of the cleaning pad with stripe of FIG. 8 opposite the end view shown in FIG. 13.

*Assistant Examiner* — John R Yeh

The broken lines shown in the drawings are for illustrative purposes only and form no part of the claimed design.

(74) *Attorney, Agent, or Firm* — John T. Dipre

**1 Claim, 4 Drawing Sheets**  
**(4 of 4 Drawing Sheet(s) Filed in Color)**



(58) **Field of Classification Search**

CPC ..... A47L 13/17; A47L 13/20; A47L 13/254;  
 A47L 13/16; A47L 13/12; A47L 13/10;  
 A47L 1/06; B08B 3/00; B32B 5/02;  
 B24B 7/18

See application file for complete search history.

(56) **References Cited**

U.S. PATENT DOCUMENTS

5,591,507 A \* 1/1997 Jones ..... A47L 13/16  
 15/114  
 D462,150 S \* 8/2002 Rader ..... D32/40  
 D551,408 S \* 9/2007 Pung ..... D32/40  
 7,566,671 B2 \* 7/2009 Hoadley ..... A47L 13/16  
 428/198  
 7,614,110 B2 \* 11/2009 Akai ..... A47L 13/17  
 15/104.93  
 9,032,577 B2 \* 5/2015 Colangelo ..... A47L 13/16  
 15/104.93  
 D731,137 S \* 6/2015 Colangelo ..... A47L 13/16  
 D32/40  
 D792,042 S \* 7/2017 Parsons ..... D32/40

2002/0065012 A1 \* 5/2002 Takabayashi ..... A47L 13/16  
 442/381  
 2006/0270586 A1 \* 11/2006 Jordan, IV ..... A47L 13/17  
 510/439  
 2007/0077834 A1 \* 4/2007 Hanson ..... A47L 13/20  
 442/59  
 2007/0078421 A1 \* 4/2007 Glaug ..... A47L 13/20  
 604/367  
 2010/0088837 A1 \* 4/2010 Wada ..... A47L 13/16  
 15/209.1  
 2010/0306946 A1 \* 12/2010 Pung ..... A47L 13/16  
 15/209.1  
 2012/0114411 A1 \* 5/2012 Maloney ..... A47L 13/17  
 401/196  
 2012/0279005 A1 \* 11/2012 Pung ..... A47L 13/12  
 15/104.94  
 2014/0245556 A1 \* 9/2014 Kaminer ..... A47L 11/284  
 15/228  
 2015/0128369 A1 \* 5/2015 Zorzo ..... A47L 13/16  
 15/209.1  
 2016/0274312 A1 \* 9/2016 Adam ..... B32B 5/028  
 2017/0095132 A1 \* 4/2017 Tollens ..... A47L 13/256  
 2017/0096626 A1 \* 4/2017 Tollens ..... C11D 17/049  
 2017/0150864 A1 \* 6/2017 Blom ..... A47L 13/16  
 2018/0289234 A1 \* 10/2018 Policicchio ..... A47L 13/16

\* cited by examiner

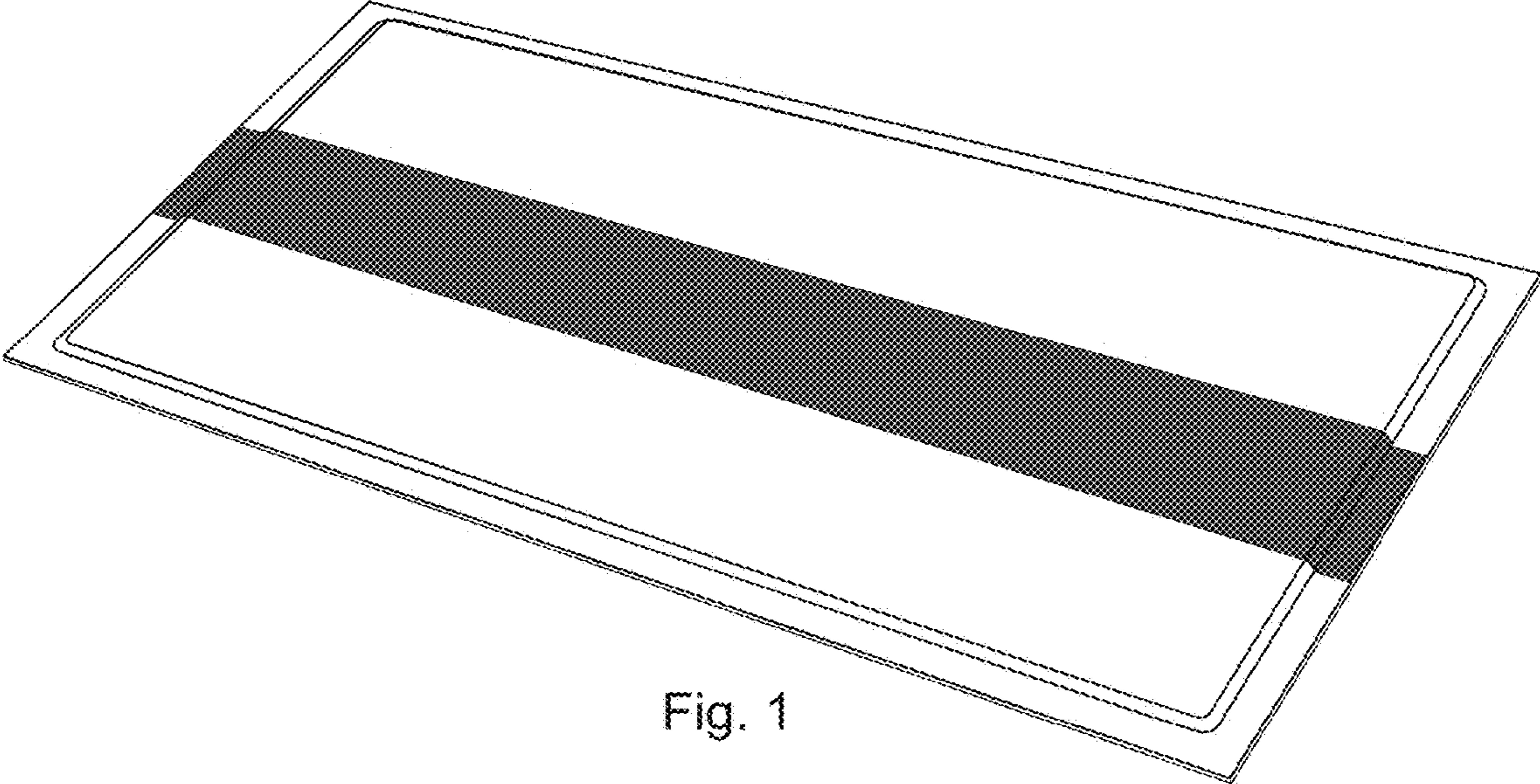


Fig. 1

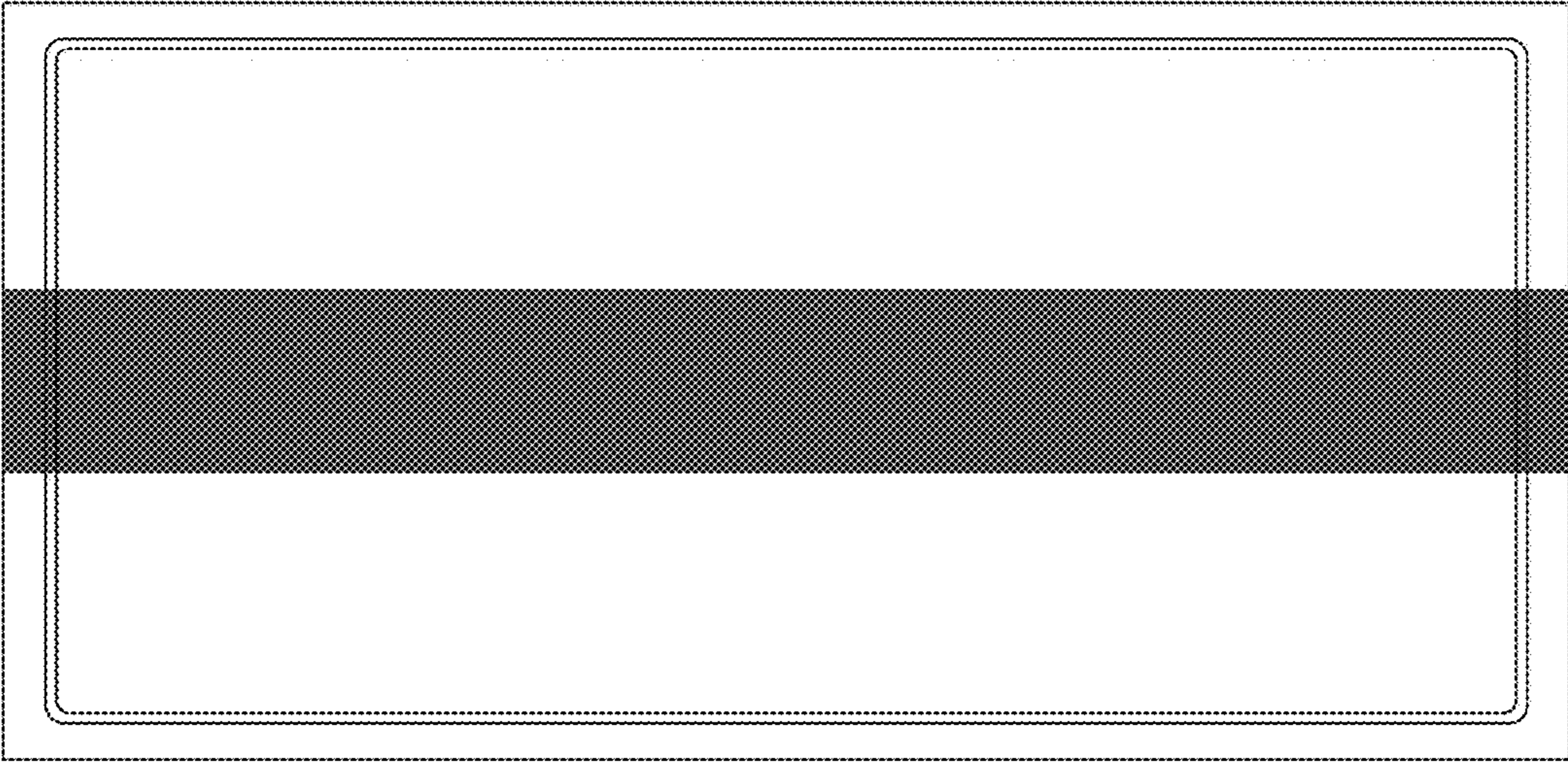


Fig. 2

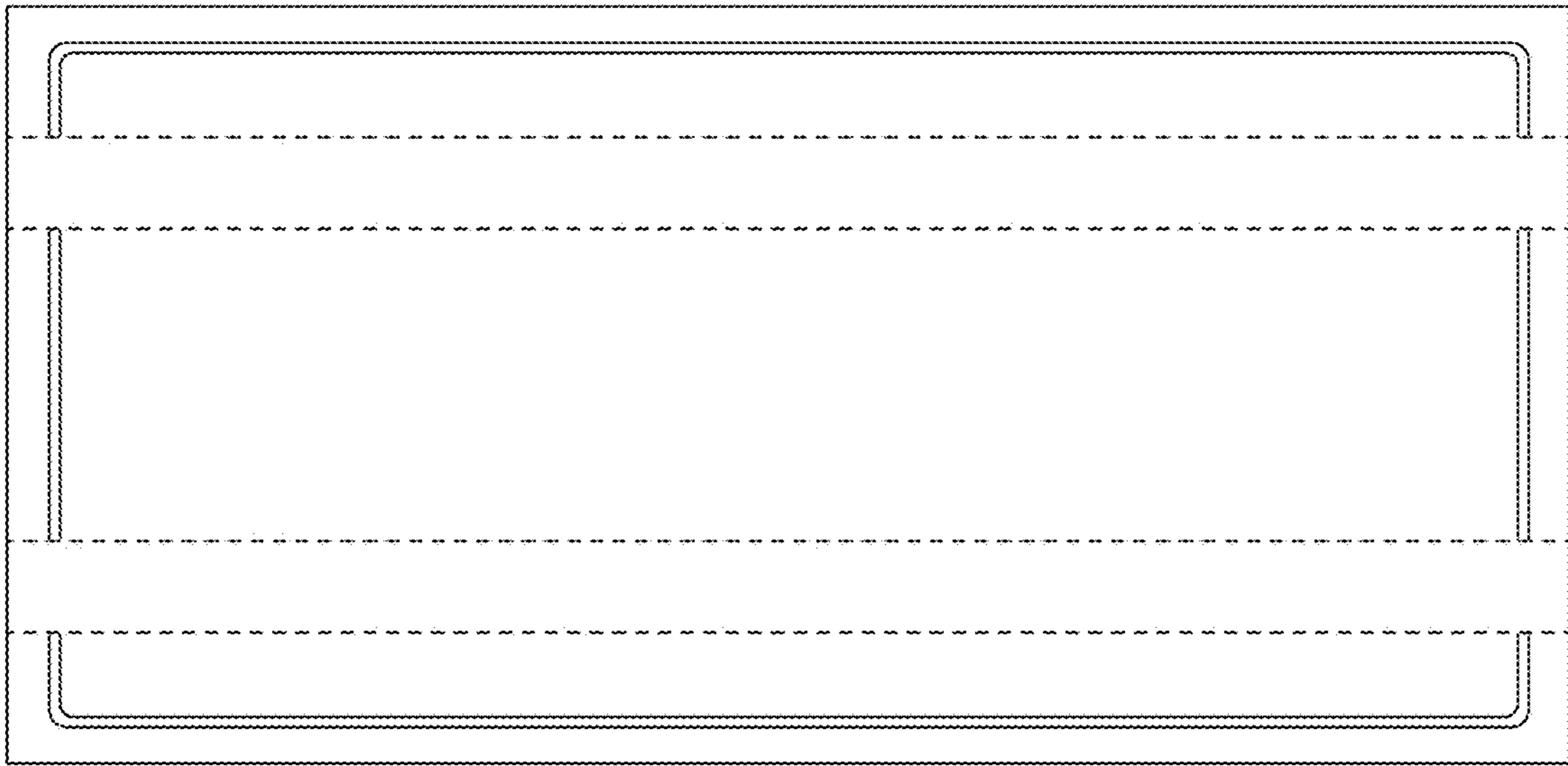


Fig. 3

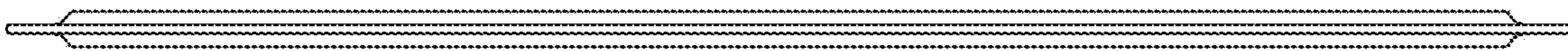


Fig. 4

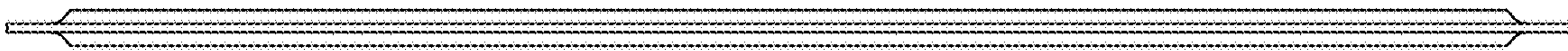


Fig. 5



Fig. 6



Fig. 7

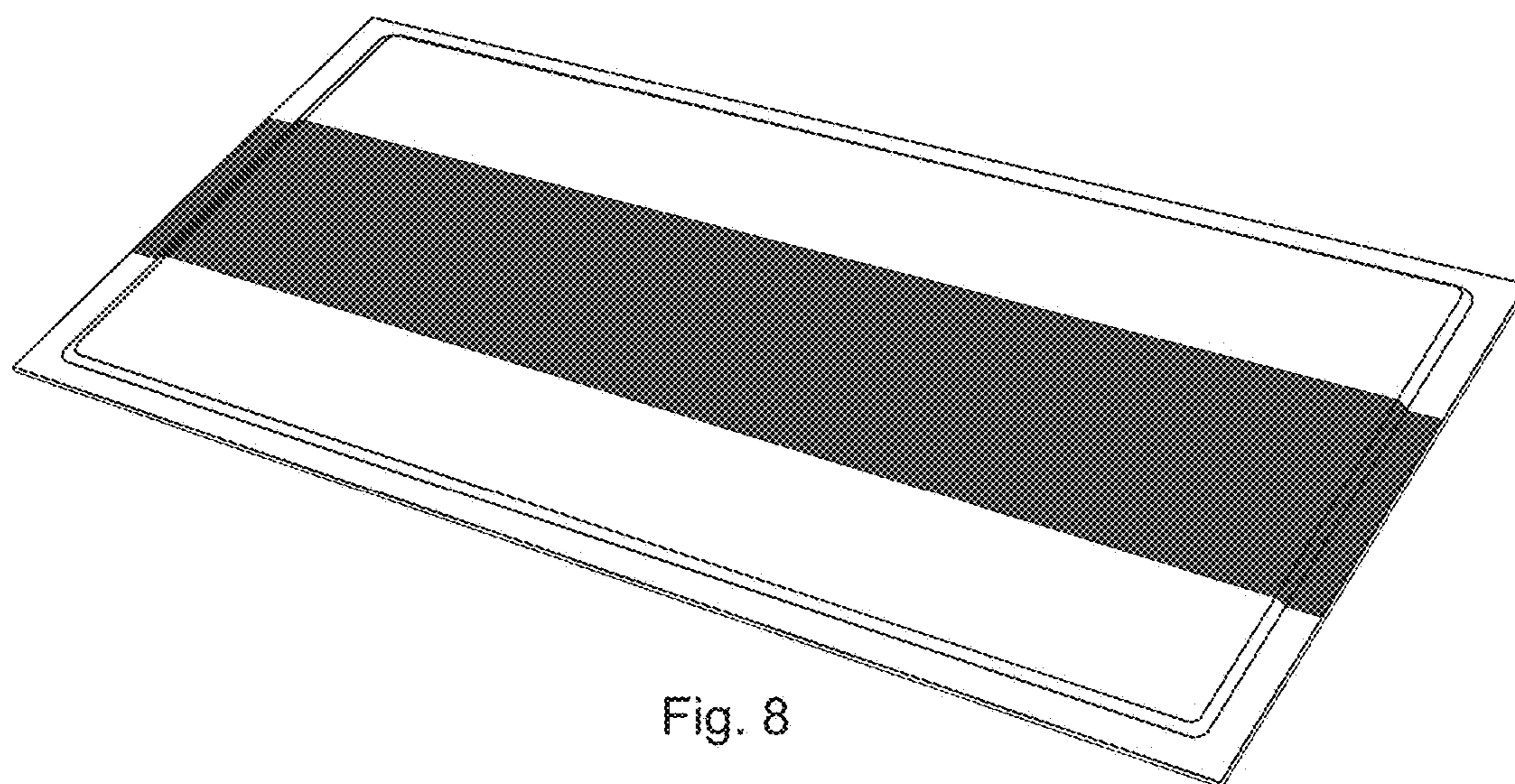


Fig. 8

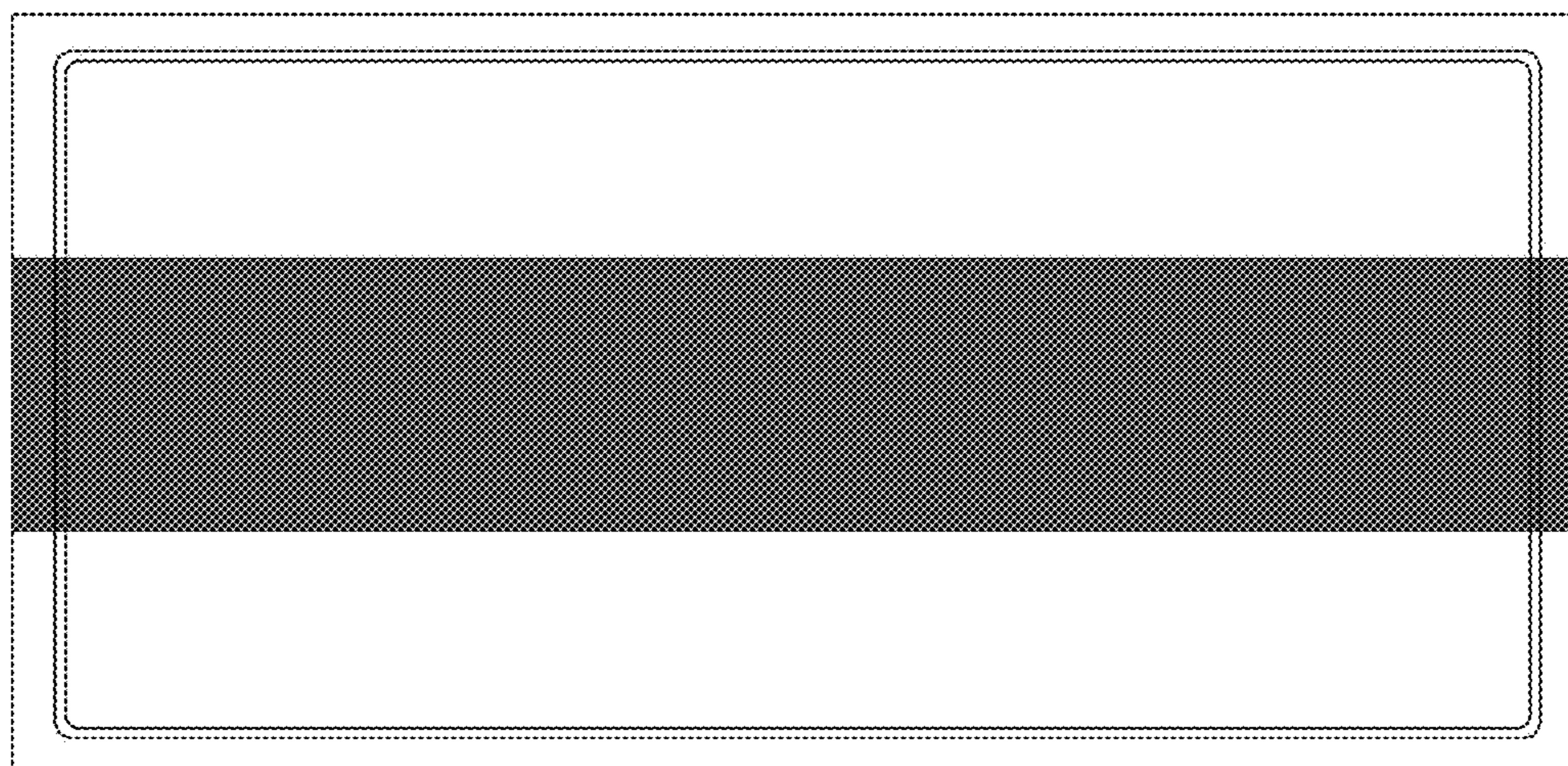


Fig. 9

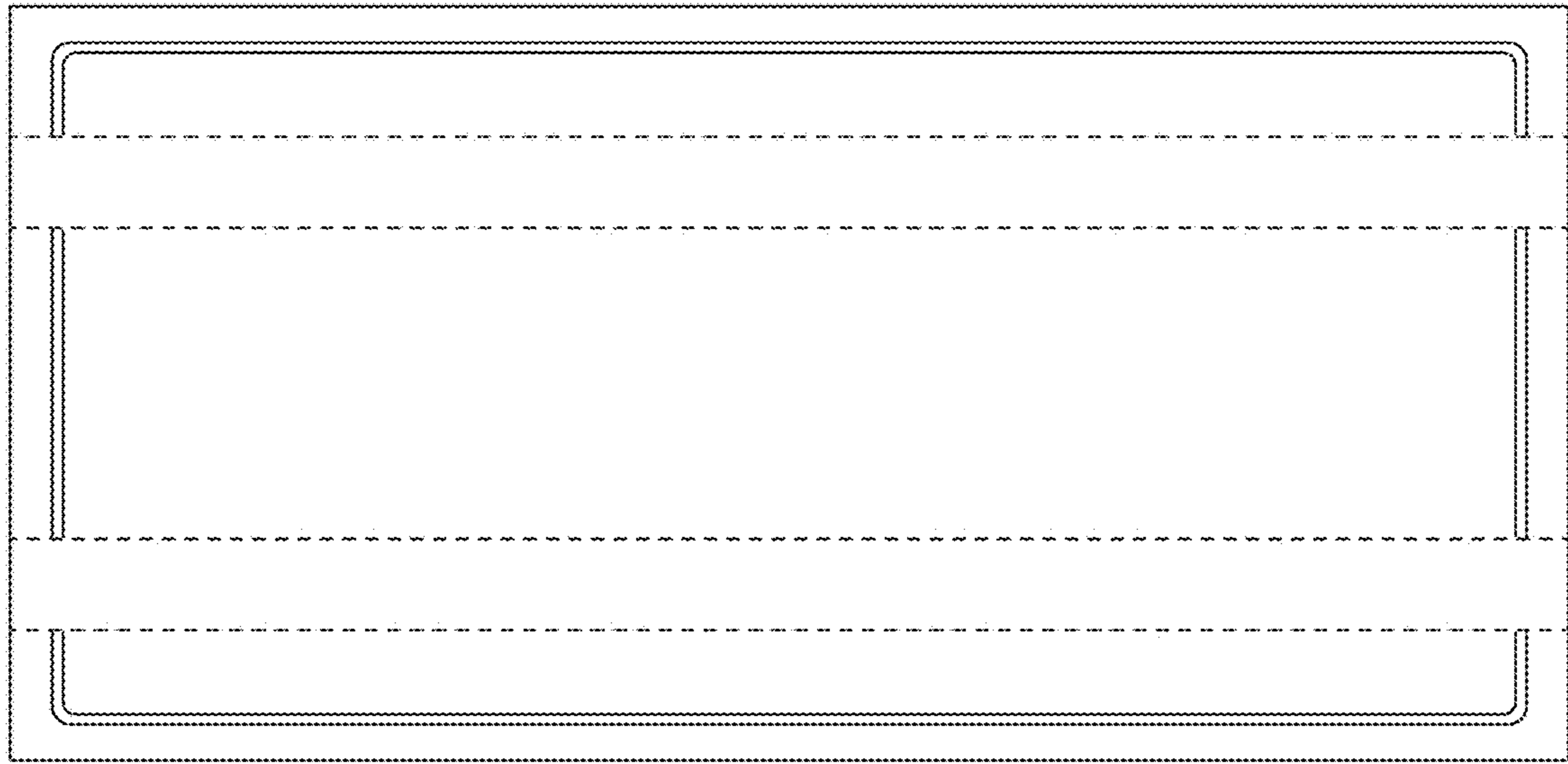


Fig. 10

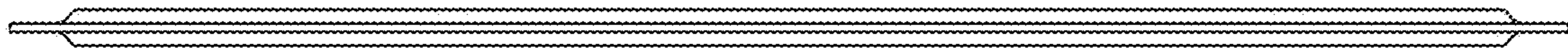


Fig. 11

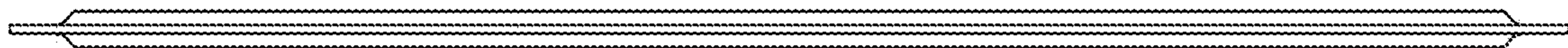


Fig. 12



Fig. 13



Fig. 14