

US00D867703S

(12) **United States Design Patent**
Baxter et al.

(10) **Patent No.:** **US D867,703 S**

(45) **Date of Patent:** **** Nov. 19, 2019**

(54) **PALM SCRUBBER**

(71) Applicant: **BLACK & DECKER INC.**, New Britain, CT (US)

(72) Inventors: **Mark Baxter**, Tyne & Wear (GB); **Stephen Houghton**, Newcastle upon Tyne (GB); **Martin Harnett**, Stockton on Tees (GB); **Robert P. Welsh**, Phoenix, MD (US); **Lea Kobeli**, San Francisco, CA (US); **Edward Wilson Licitra**, San Francisco, CA (US); **Jonathan Patrick Summers**, South San Francisco, CA (US); **Germain Verbrackel**, San Francisco, CA (US)

(73) Assignee: **Black & Decker, Inc.**, New Britain, CT (US)

(**) Term: **15 Years**

(21) Appl. No.: **29/613,121**

(22) Filed: **Aug. 8, 2017**

(51) **LOC (12) Cl.** **15-05**

(52) **U.S. Cl.**
USPC **D32/35**

(58) **Field of Classification Search**
USPC D32/35, 52; D8/10; D4/100, 137, 138; D24/211
CPC A46B 5/02; A47L 13/44; B05C 1/06
See application file for complete search history.

(56) **References Cited**

U.S. PATENT DOCUMENTS

D186,102 S *	9/1959	Virgillo	D4/100
D345,424 S *	3/1994	Gudeein	D24/211
D439,715 S *	3/2001	Calvert	D32/52
D466,259 S *	11/2002	Wang	D32/35
D473,343 S *	4/2003	Carruba	D24/214
D498,028 S *	11/2004	Alsrue	D32/25
D512,567 S *	12/2005	Eckhardt	D32/52

D559,489 S *	1/2008	Li	D32/50
D570,116 S *	6/2008	Evans	D4/102
7,856,691 B2 *	12/2010	Viggiani	B05C 1/06 15/118
D643,221 S *	8/2011	Gates	D4/137
D644,030 S *	8/2011	Gates	D4/137
D681,898 S *	5/2013	Wu	D32/35

(Continued)

FOREIGN PATENT DOCUMENTS

CA 121216 * 3/2008

OTHER PUBLICATIONS

Speedy Scrub posted by Black and Decker posted date Oct. 13, 2017, © Amazon UK, [online], [site visited Mar. 25, 2019]. Available from Internet, <https://www.amazon.co.uk/BLACK-DECKER-BHPC210-GB-Speedy-Scrub> (Year: 2017).*

(Continued)

Primary Examiner — Cynthia Ramirez

Assistant Examiner — Laura H Yu

(74) *Attorney, Agent, or Firm* — John Yun

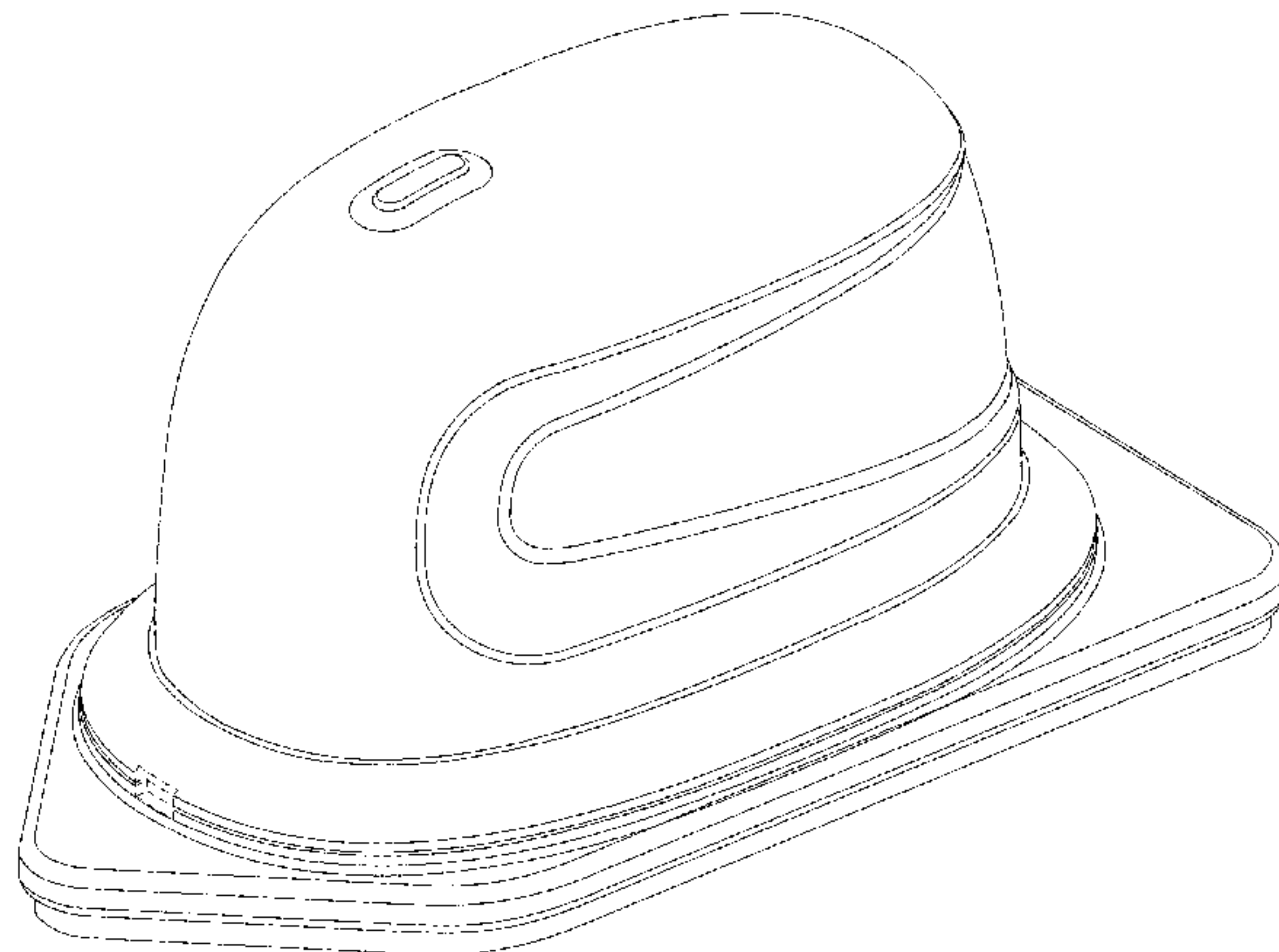
(57) **CLAIM**

The ornamental design for a palm scrubber, as shown and described.

DESCRIPTION

FIG. 1 is a perspective view of a palm scrubber showing our new design;
FIG. 2 is a right side view thereof;
FIG. 3 is a left side view thereof;
FIG. 4 is a front view thereof;
FIG. 5 is a rear view thereof;
FIG. 6 is a top view thereof; and,
FIG. 7 is a bottom view thereof.
The broken lines illustrate portions of the palm scrubber that form no part of the claimed design.

1 Claim, 7 Drawing Sheets



(56)

References Cited

U.S. PATENT DOCUMENTS

D744,760 S * 12/2015 Harrington D4/138
2008/0105211 A1* 5/2008 Deng A01K 63/10
119/264
2012/0023694 A1* 2/2012 Nicas A47K 7/026
15/210.1
2017/0112348 A1* 4/2017 Chalifoux A46B 5/02

OTHER PUBLICATIONS

ScumBusterPro posted by Bed Bath and Beyond posted date Oct. 25, 2017, © BedBathBeyond, [online], [site visited Mar. 25, 2019]. Available from Internet, <https://video.bedbathandbeyond.com/v/scumbuster-62508735-mp4/125345407/> (Year: 2017).*

Paint Pad posted by Paint Pad Pro posted date Nov. 21, 2013, © Amazon UK, [online], [site visited Mar. 25, 2019]. Available from Internet, <https://www.amazon.co.uk/Paint-Pad-Pro-Decorating-Seen> (Year: 2013).*

* cited by examiner

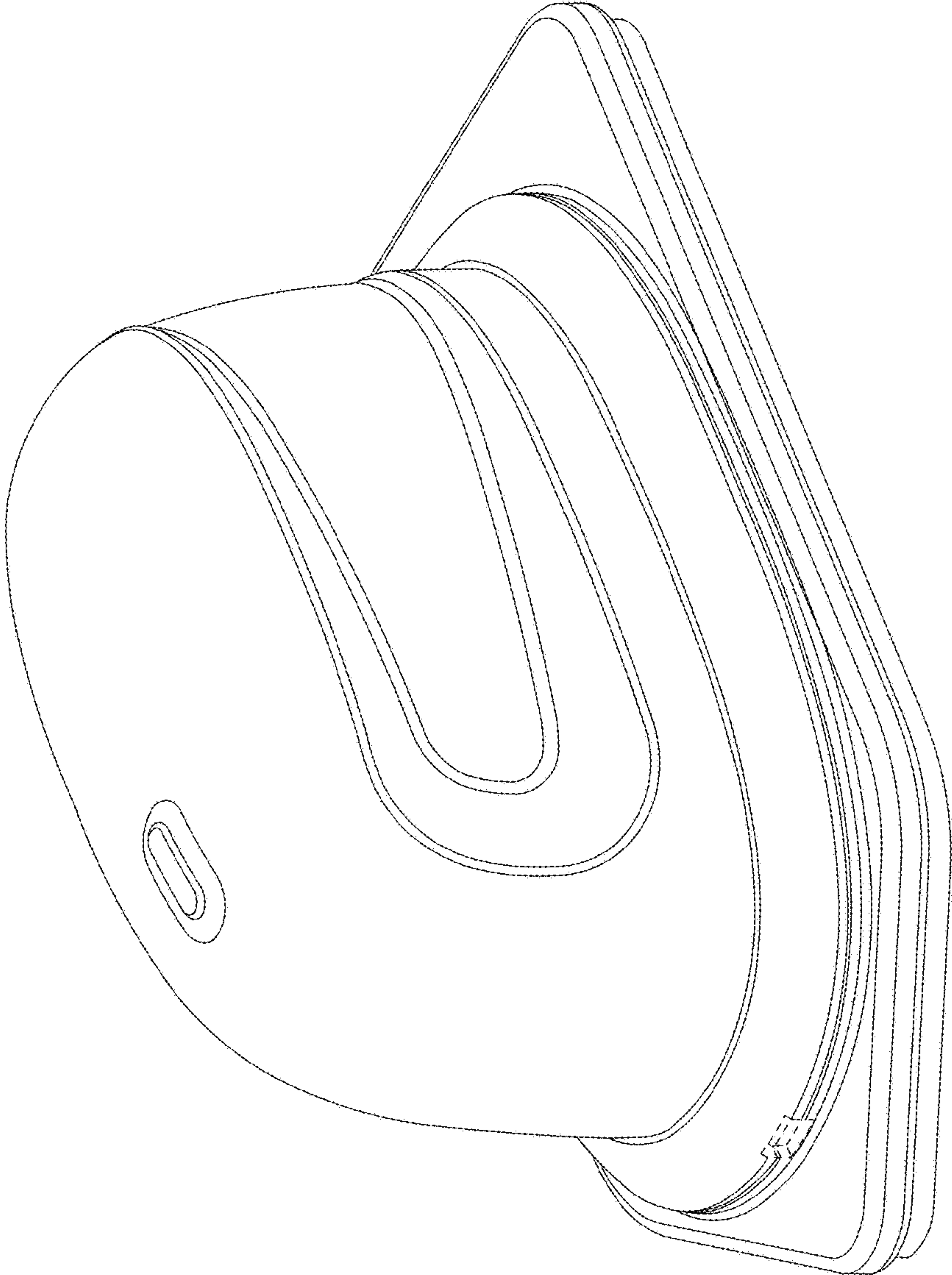


FIG.1

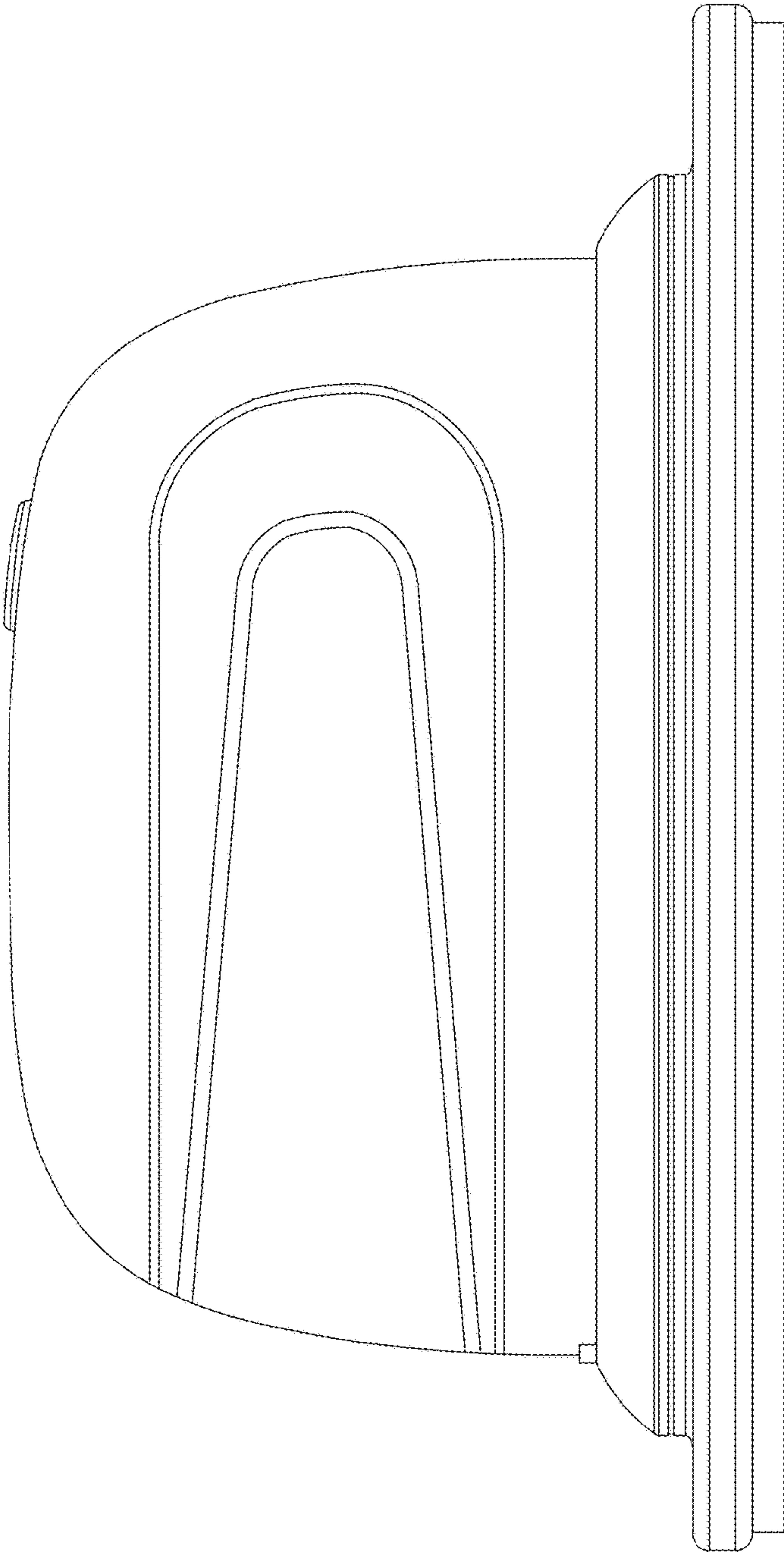


FIG.2

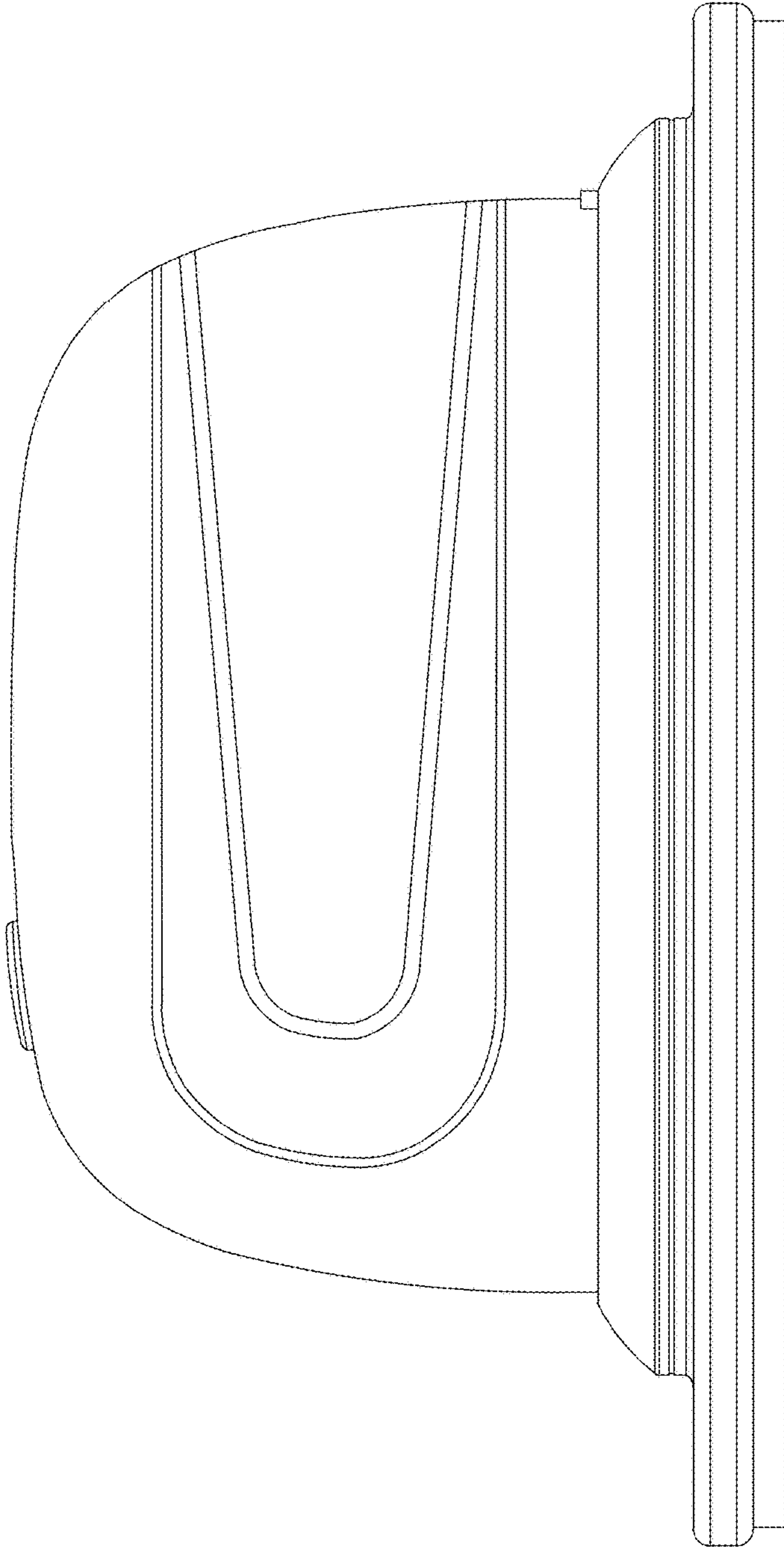


FIG.3

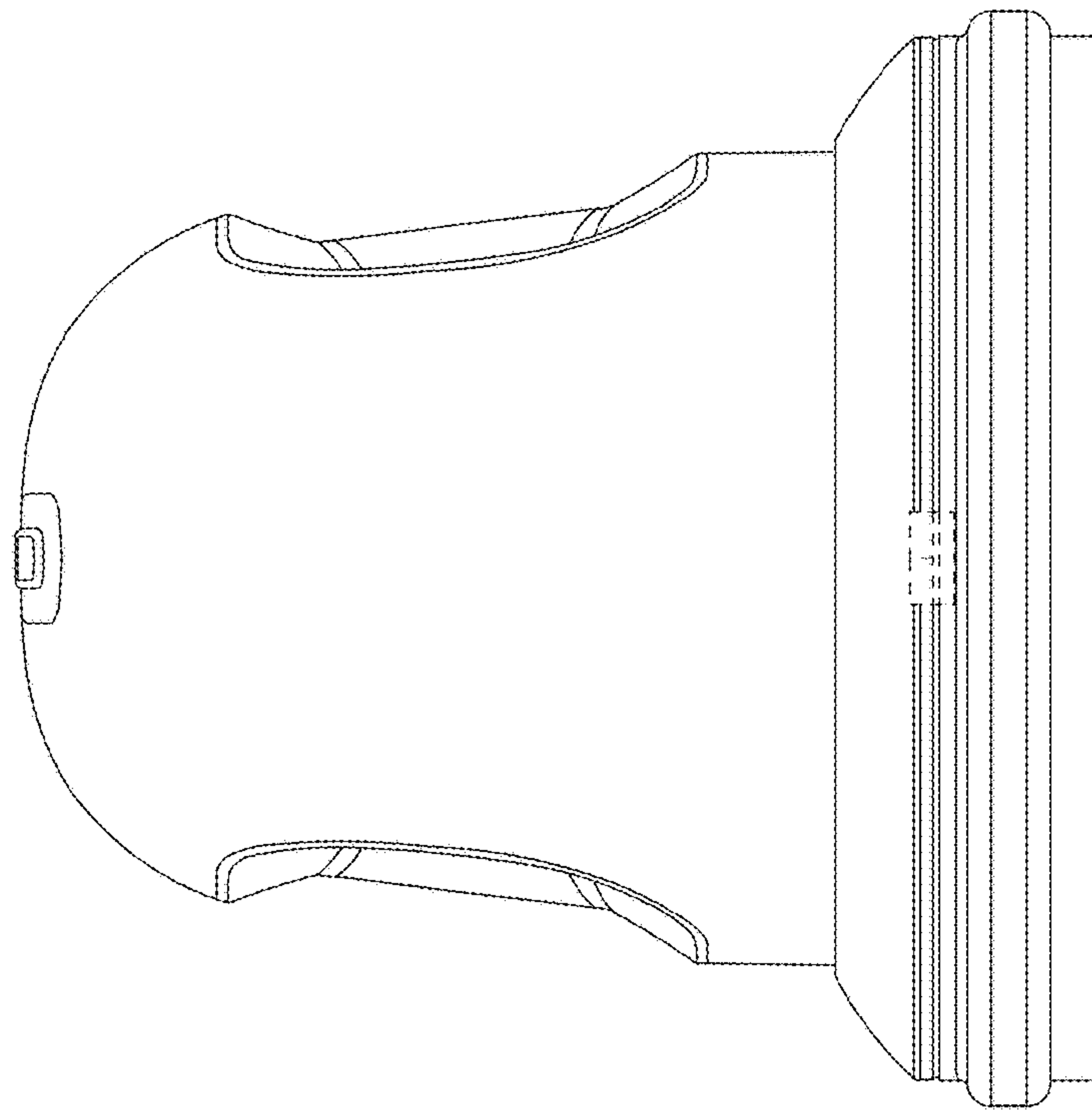


FIG.4

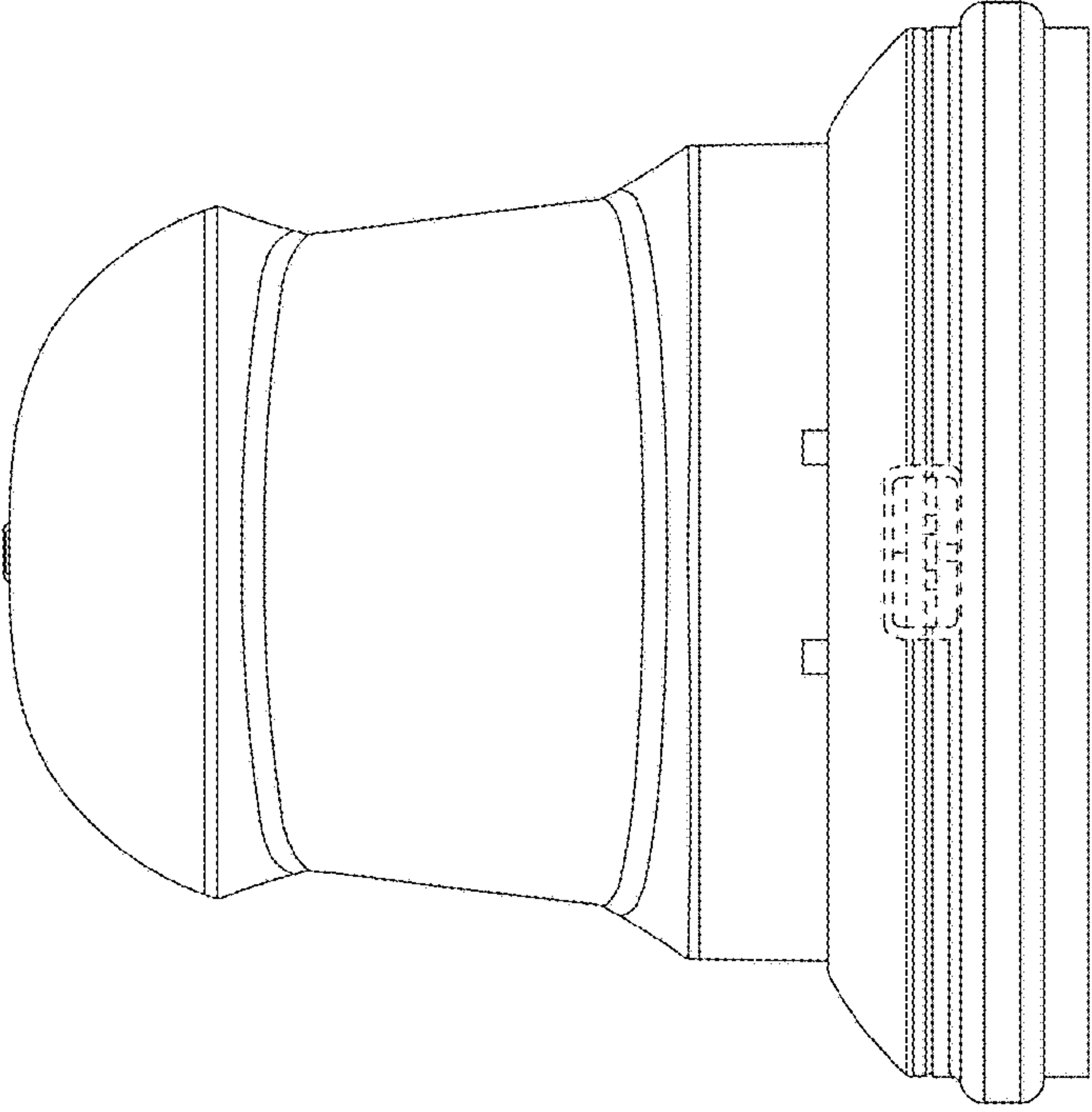


FIG.5

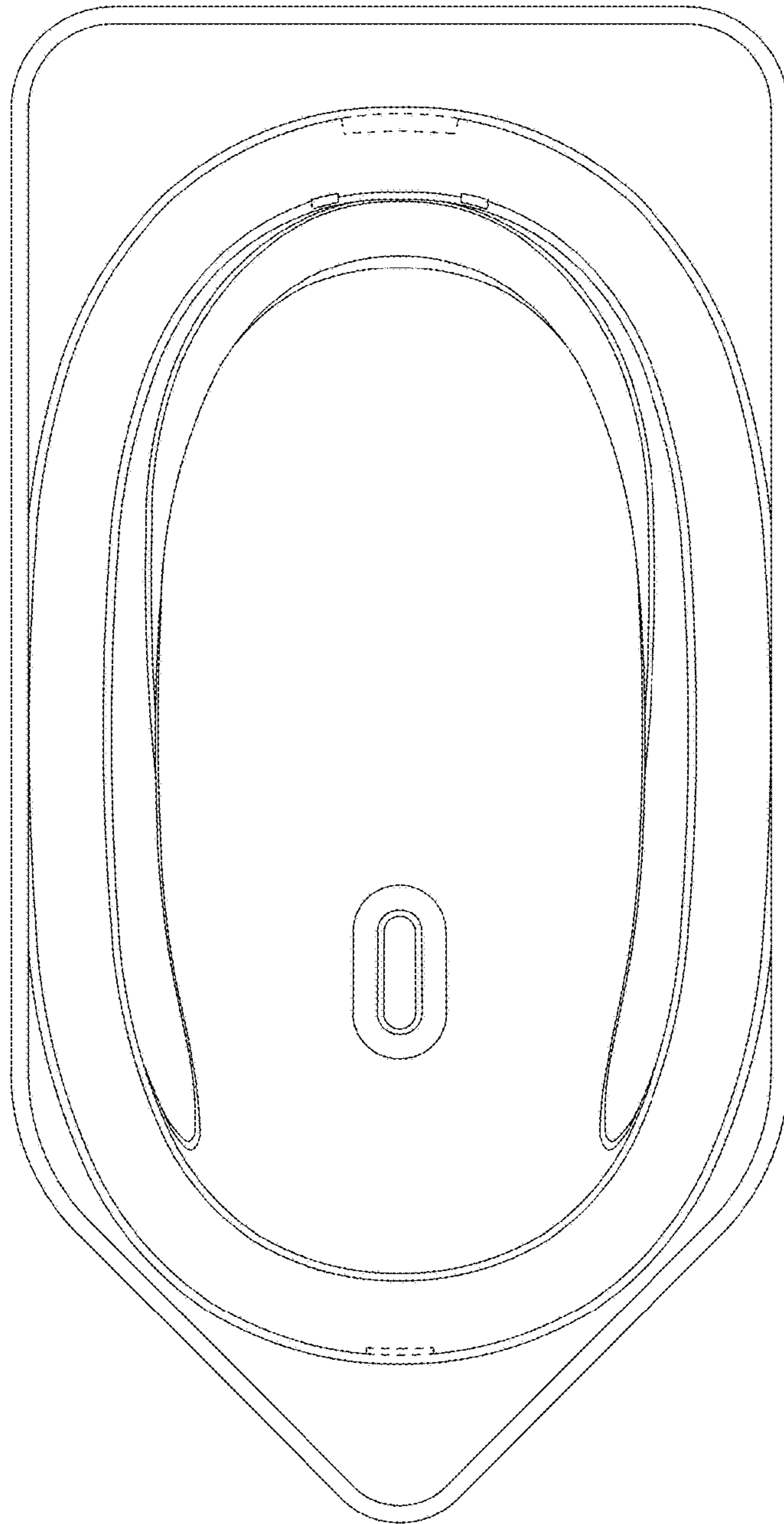


FIG.6

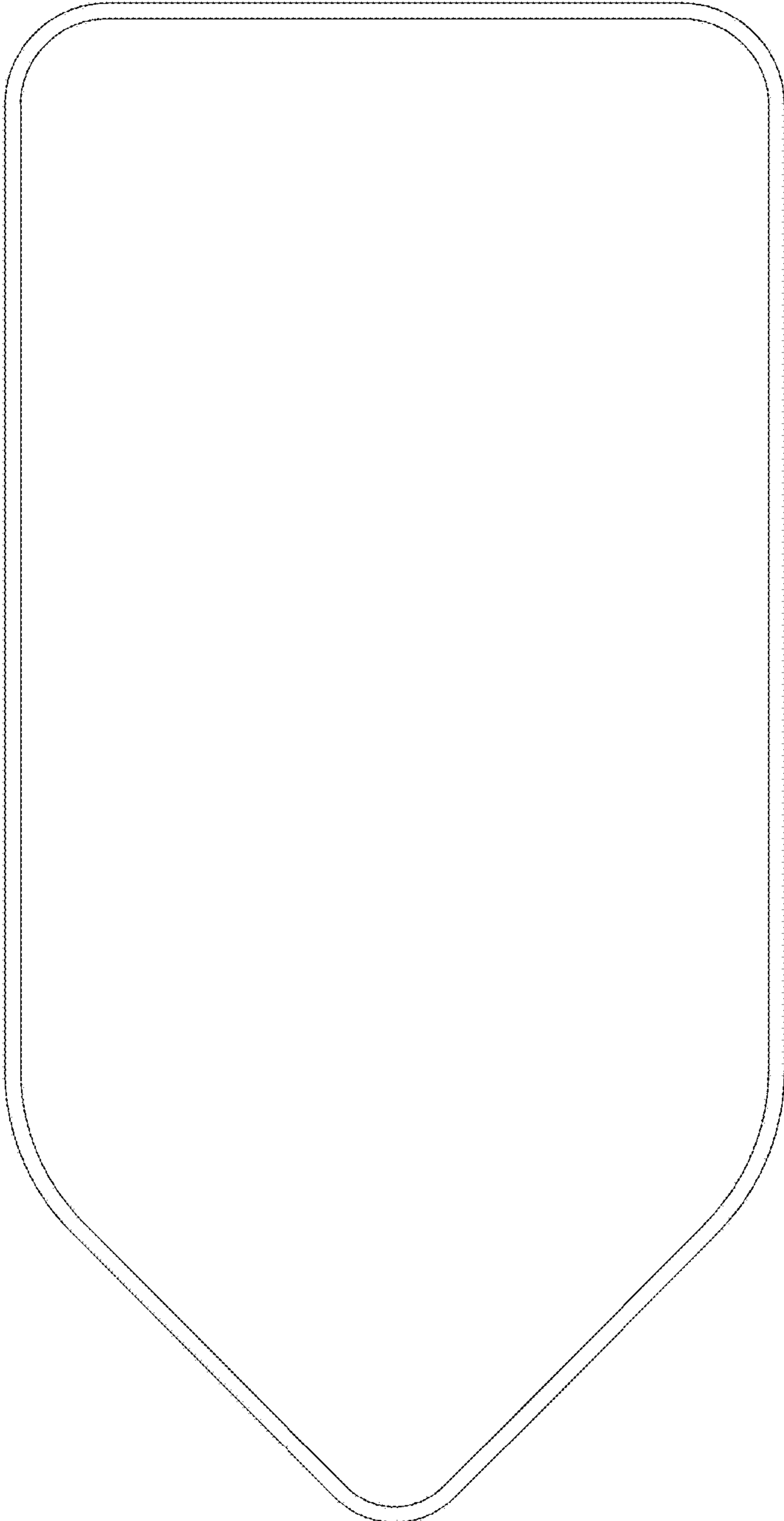


FIG.7