



US00D867702S

(12) **United States Design Patent**
Wall et al.

(10) **Patent No.:** **US D867,702 S**

(45) **Date of Patent:** **** Nov. 19, 2019**

(54) **POWERHEAD FOR WET/DRY VACUUM
CLEANER**

(71) Applicant: **Emerson Electric Co.**, St. Louis, MO
(US)

(72) Inventors: **Alex J. Wall**, St. Louis, MO (US);
Mark J. Tomasiak, St. Peters, MO
(US)

(73) Assignee: **Emerson Electric Co.**, St. Louis, MO
(US)

(**) Term: **15 Years**

(21) Appl. No.: **29/645,933**

(22) Filed: **Apr. 30, 2018**

(51) **LOC (12) Cl.** **15-05**

(52) **U.S. Cl.**
USPC **D32/31**

(58) **Field of Classification Search**
USPC D32/21–23, 31, 34
CPC . A47L 5/362; A47L 5/365; A47L 5/28; A47L
5/32; A47L 5/36; A47L 7/0004; A47L
7/0038; A47L 11/29; A47L 11/30
See application file for complete search history.

(56) **References Cited**

U.S. PATENT DOCUMENTS

D362,091 S	9/1995	Tomasiak et al.	
D418,643 S	1/2000	Hoshino	
D438,353 S	2/2001	Hoshino et al.	
D443,739 S	6/2001	Young et al.	
D447,609 S	9/2001	Hult et al.	
D479,023 S	8/2003	Holsten et al.	
D486,280 S	2/2004	Holsten et al.	
D492,823 S	7/2004	Hoshino et al.	
D492,824 S	7/2004	Tomasiak et al.	
D507,386 S *	7/2005	Griffin	D32/21

D519,251 S	4/2006	Hoshino et al.	
D520,689 S	5/2006	Eccardt et al.	
D527,504 S *	8/2006	Griffin	D32/21
D528,255 S *	9/2006	Griffin	D32/21
D528,256 S	9/2006	Beth et al.	
D528,718 S	9/2006	Tomasiak et al.	
D537,992 S	3/2007	Hoshino	
D541,818 S	5/2007	Rhea et al.	
D549,903 S	8/2007	Eccardt et al.	
D551,681 S	9/2007	Rhea et al.	
D558,410 S	12/2007	Hill et al.	
D565,269 S	3/2008	Tomasiak et al.	
D569,066 S *	5/2008	Crevling, Jr.	D32/31

(Continued)

FOREIGN PATENT DOCUMENTS

CA	ID87833 S	10/1999
CA	ID89522 S	5/2000

(Continued)

Primary Examiner — Ruth McInroy

(74) *Attorney, Agent, or Firm* — Armstrong Teasdale LLP

(57) **CLAIM**

We claim the ornamental design for a powerhead for wet/dry vacuum cleaner, as shown and described.

DESCRIPTION

FIG. 1 is a front perspective view of a powerhead for wet/dry vacuum cleaner showing the new design.

FIG. 2 is a front view thereof.

FIG. 3 is a rear view thereof.

FIG. 4 is a right side view thereof.

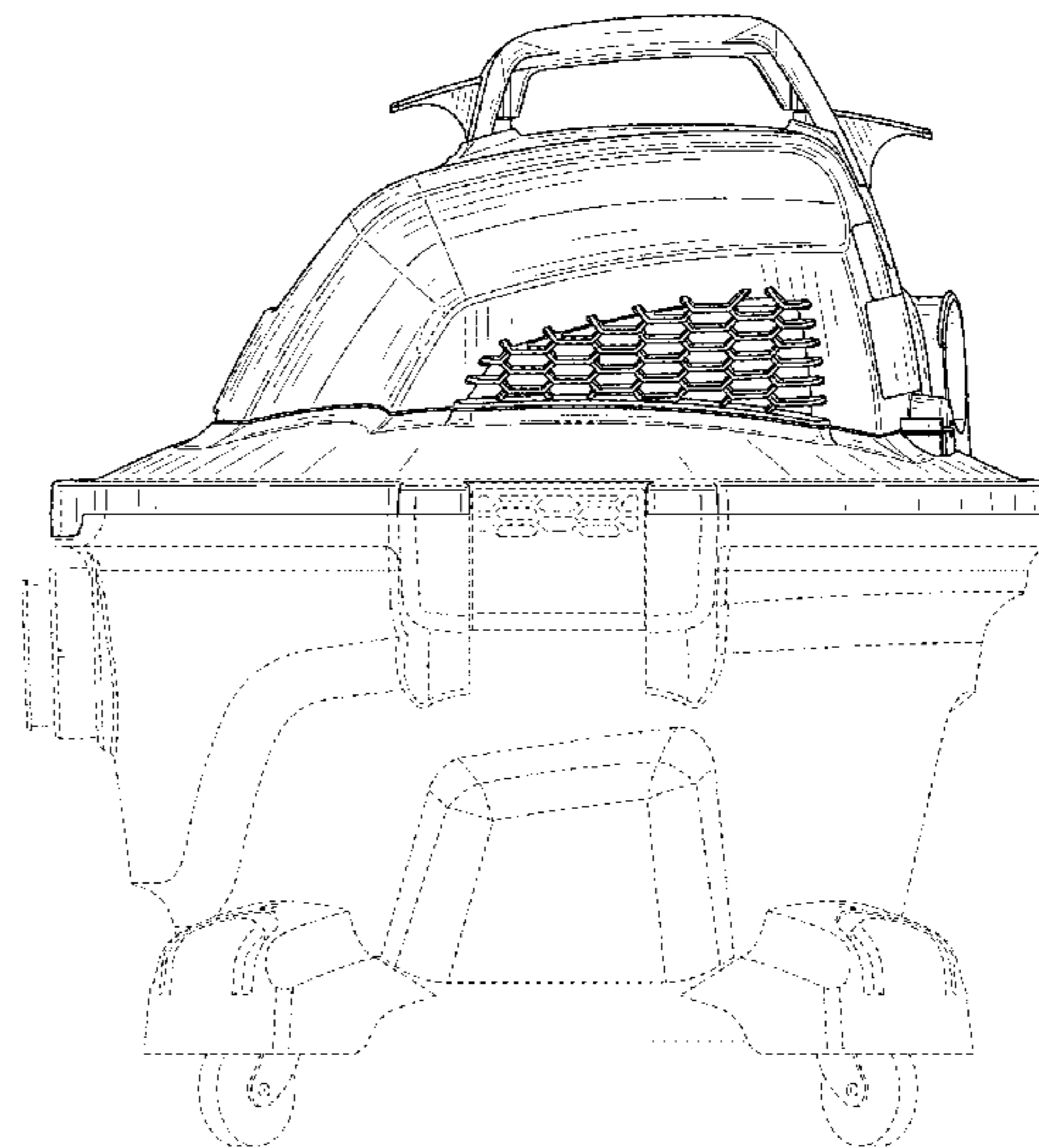
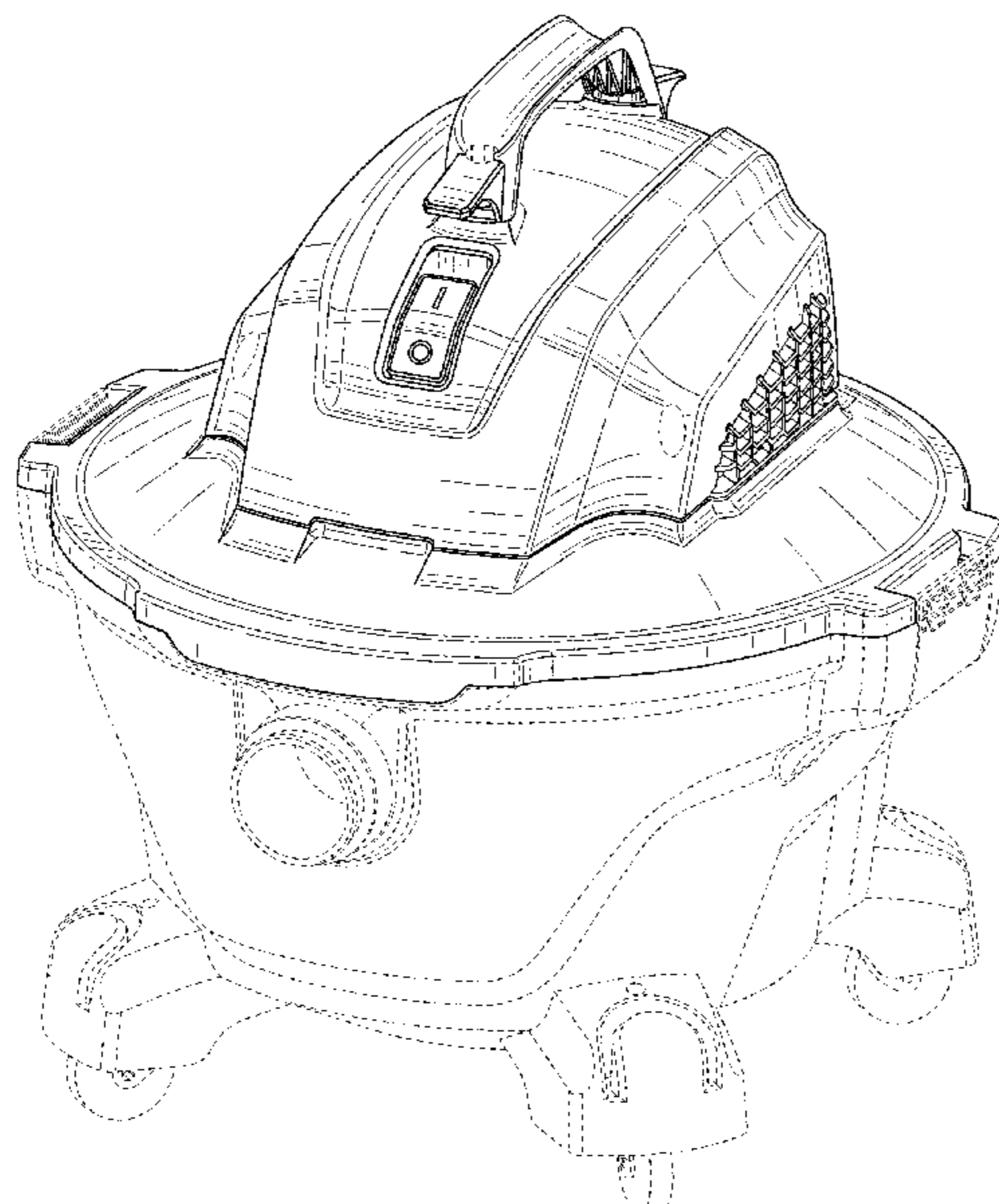
FIG. 5 is a left side view thereof.

FIG. 6 is a top view thereof; and,

FIG. 7 is a bottom view thereof.

The details shown in broken lines form no part of the claimed design. The unshaded area (which is visible through the opening in FIG. 3) forms no part of the claimed design.

1 Claim, 7 Drawing Sheets



(56)

References Cited

U.S. PATENT DOCUMENTS

D577,164 S	9/2008	Williams et al.	
D580,115 S	11/2008	Theising et al.	
D595,910 S	7/2009	Hollis et al.	
D596,359 S	7/2009	Hollis et al.	
D614,369 S	4/2010	Theising et al.	
D615,259 S	5/2010	Theising et al.	
D617,514 S	6/2010	Hollis et al.	
D618,870 S	* 6/2010	Williams	D32/24
D619,770 S	* 7/2010	Moore, Jr.	D32/24
D634,494 S	3/2011	Theising et al.	
D638,181 S	* 5/2011	Crevling, Jr.	D32/31
D647,260 S	10/2011	Hollis et al.	
D647,261 S	10/2011	Schultz et al.	
D657,101 S	4/2012	Williams et al.	
D666,369 S	8/2012	Williams et al.	
D669,646 S	10/2012	Theising et al.	
D670,046 S	10/2012	Theising et al.	
D670,048 S	10/2012	Theising et al.	
D676,205 S	2/2013	Theising et al.	
D683,090 S	* 5/2013	Griffin	D32/23
D683,091 S	* 5/2013	Griffin	D32/23
D740,504 S	10/2015	Williams et al.	
D743,655 S	11/2015	Holsten et al.	
D806,332 S	* 12/2017	Griffin	D32/21
D834,775 S	* 11/2018	Griffin	D32/21

FOREIGN PATENT DOCUMENTS

CA	ID89523 S	5/2000
CA	ID90731 S	10/2000

* cited by examiner

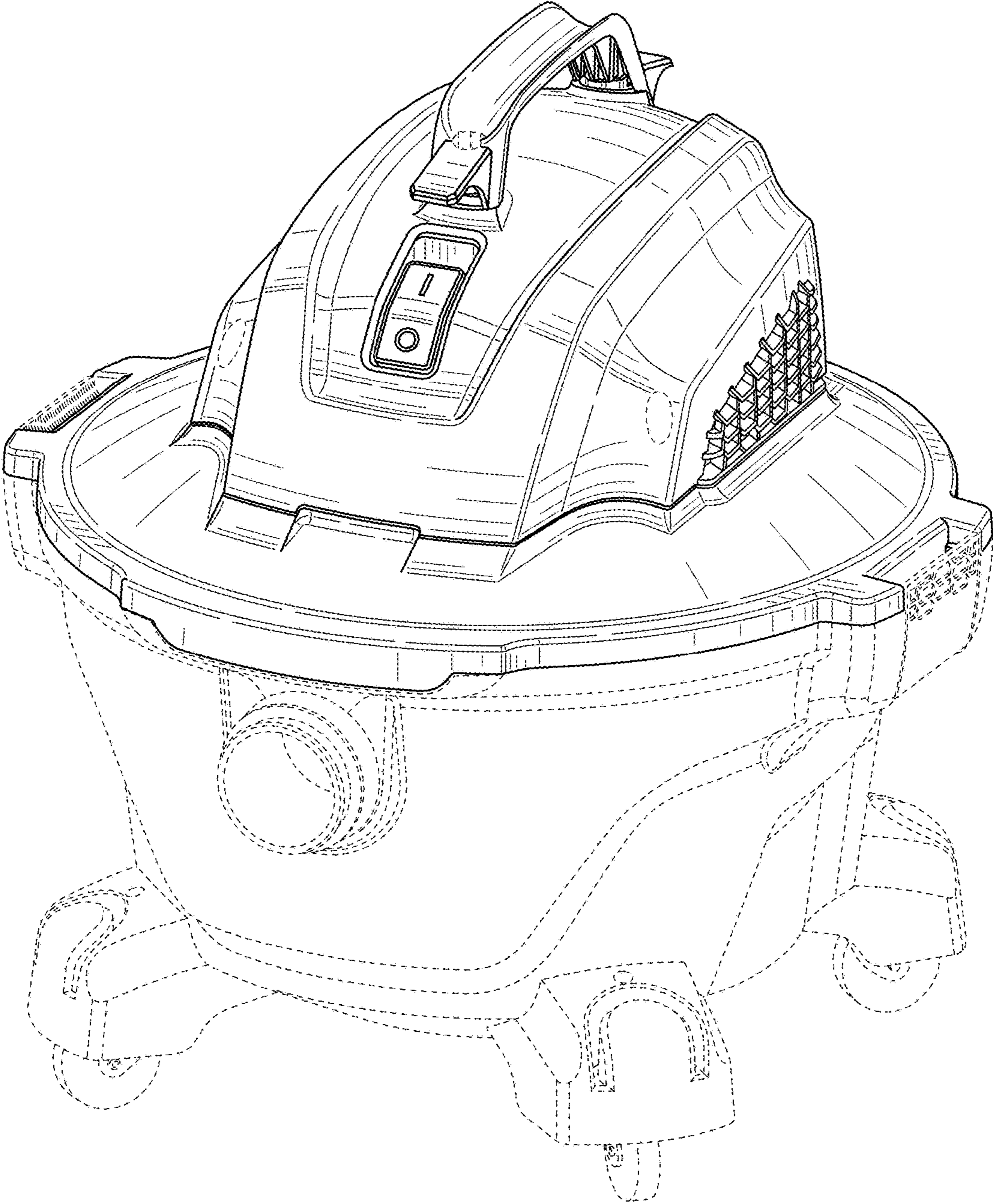


FIG. 1

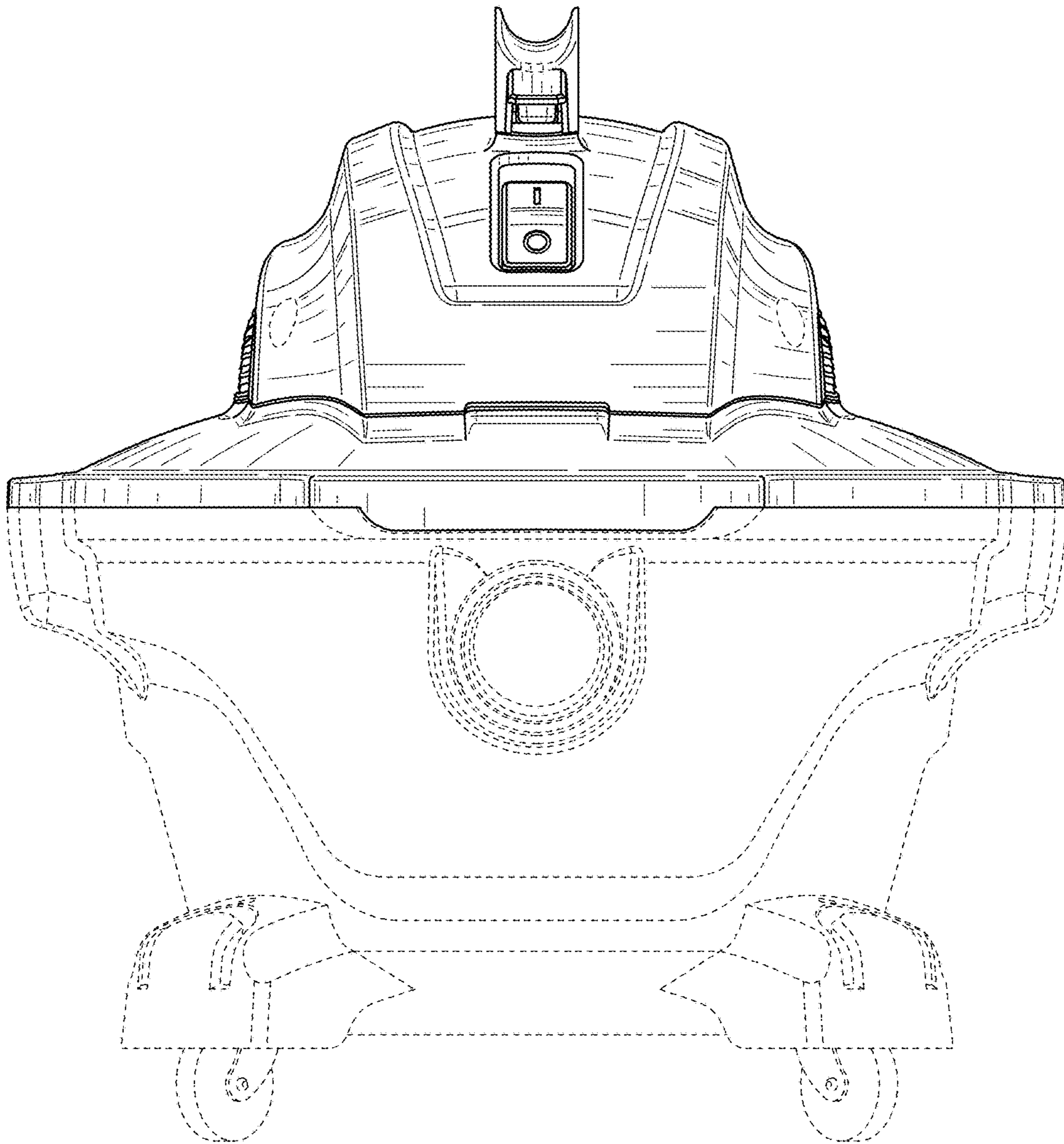


FIG. 2

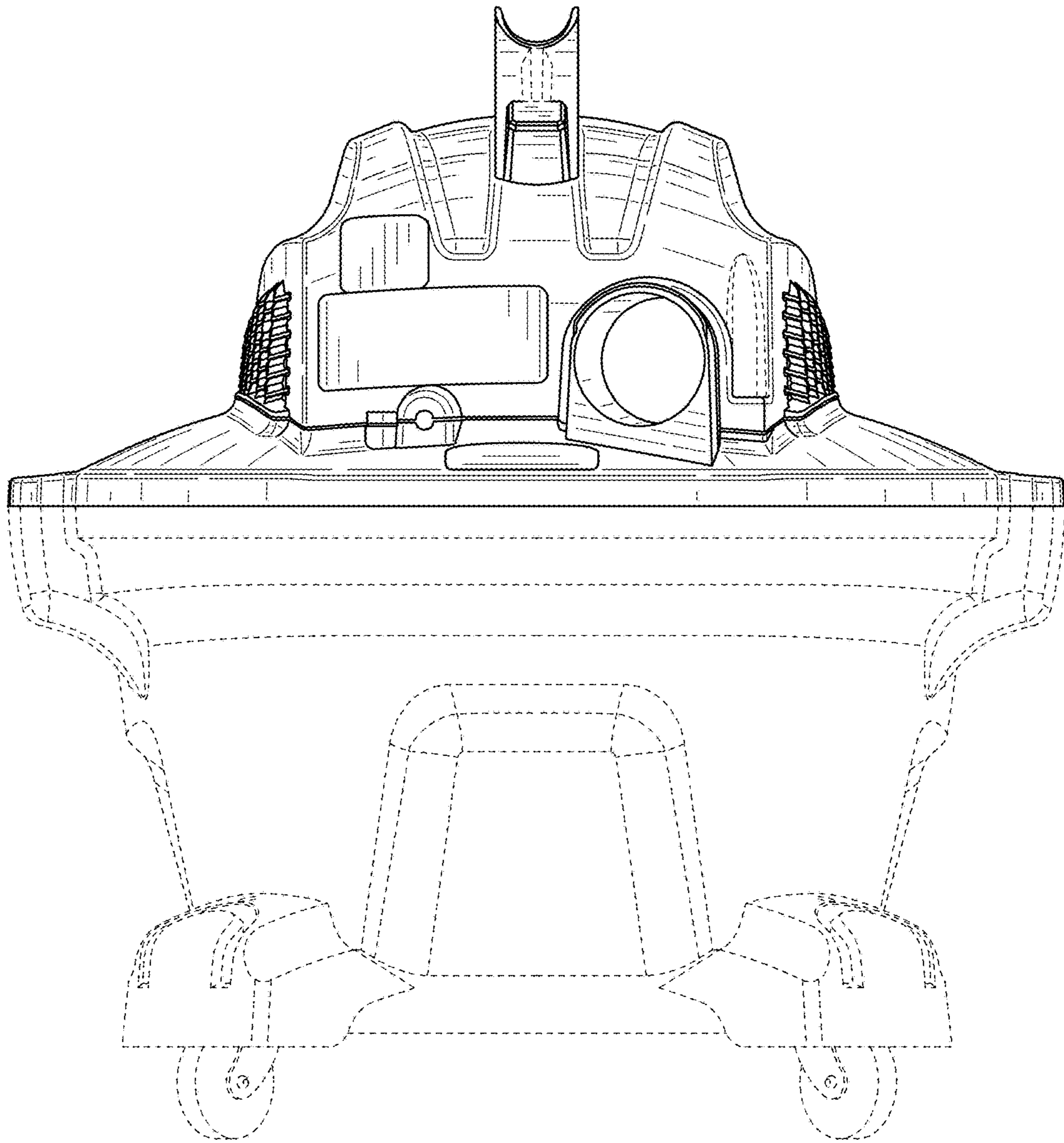


FIG. 3

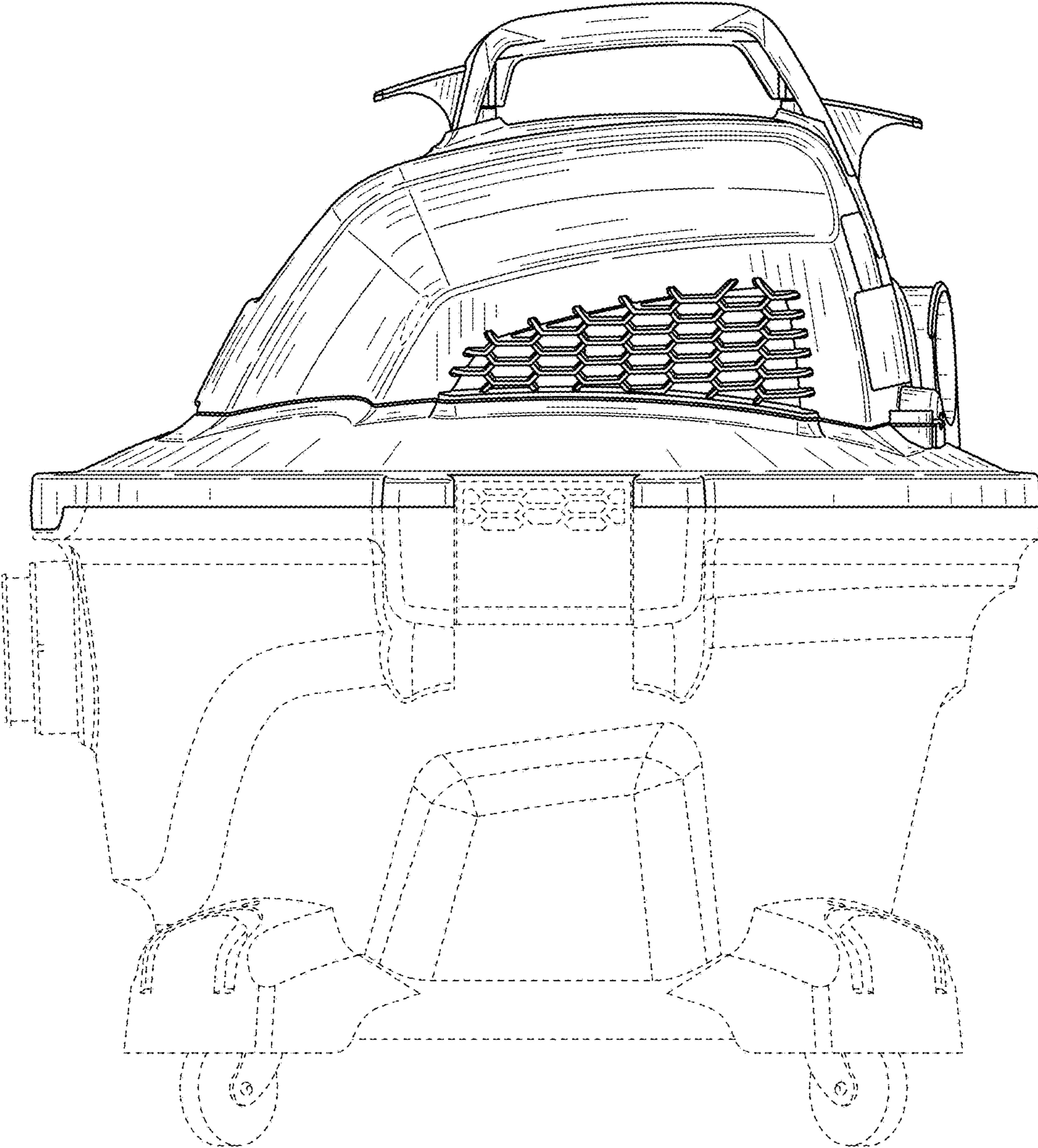


FIG. 4

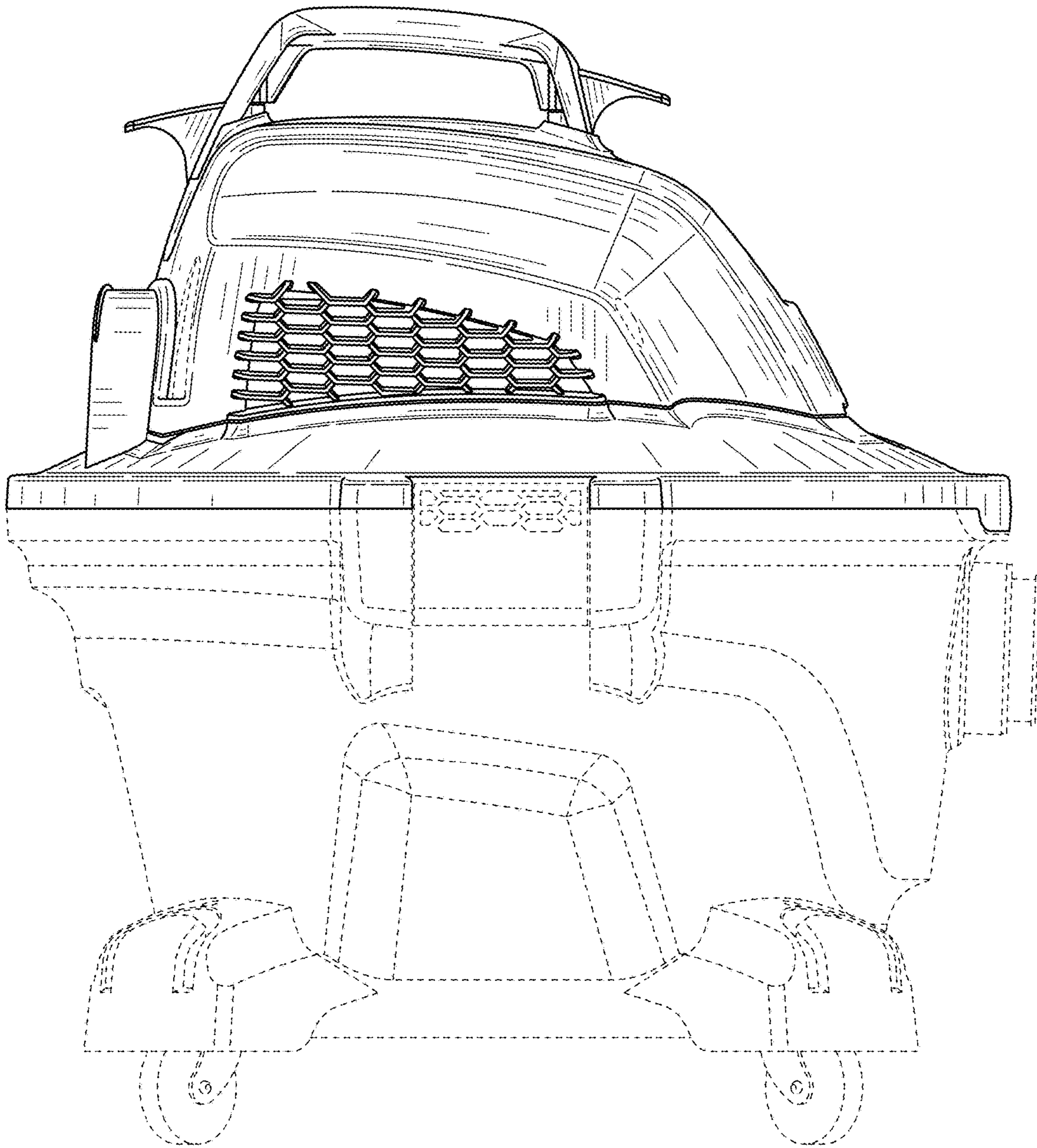


FIG. 5

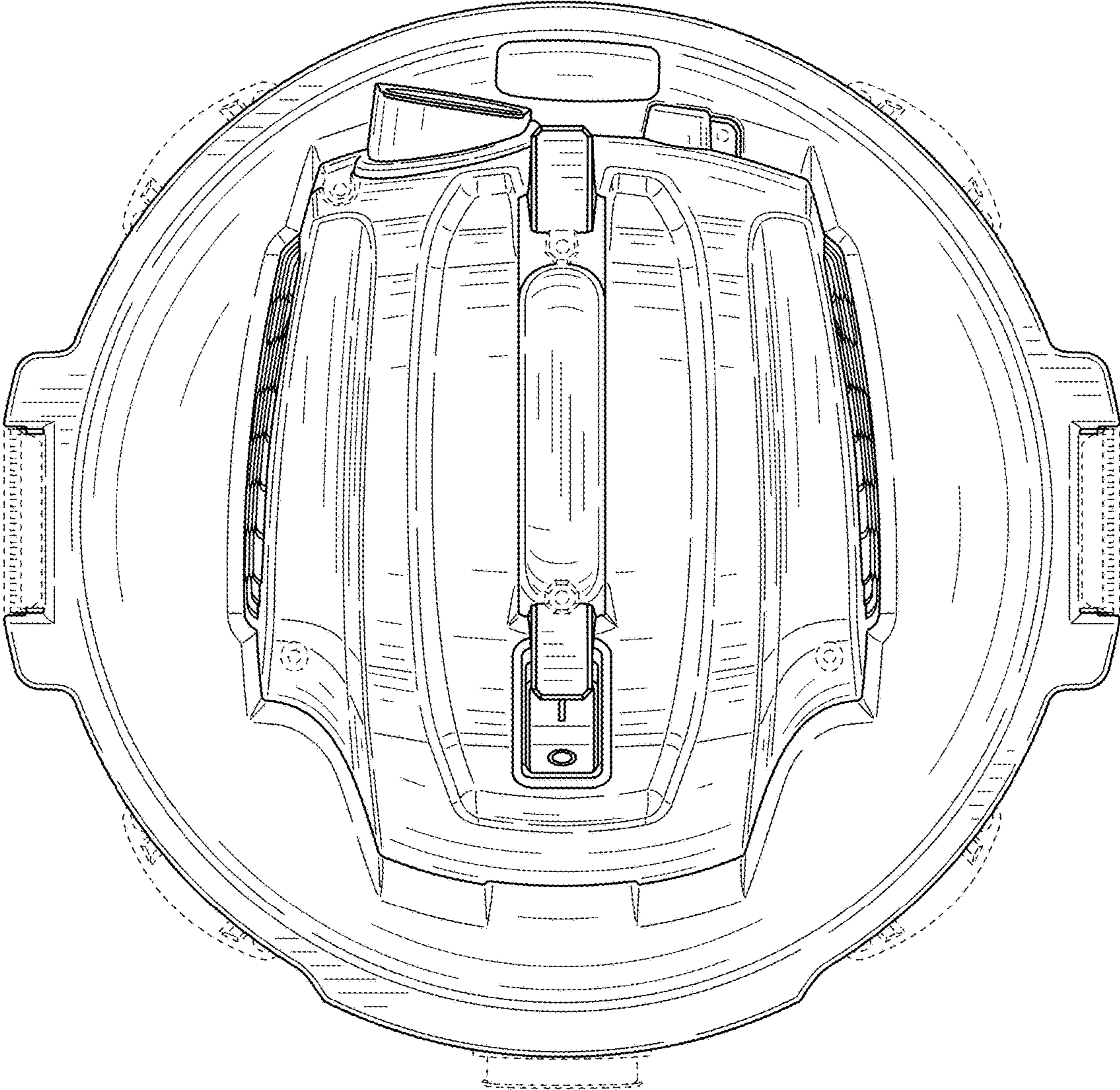


FIG. 6

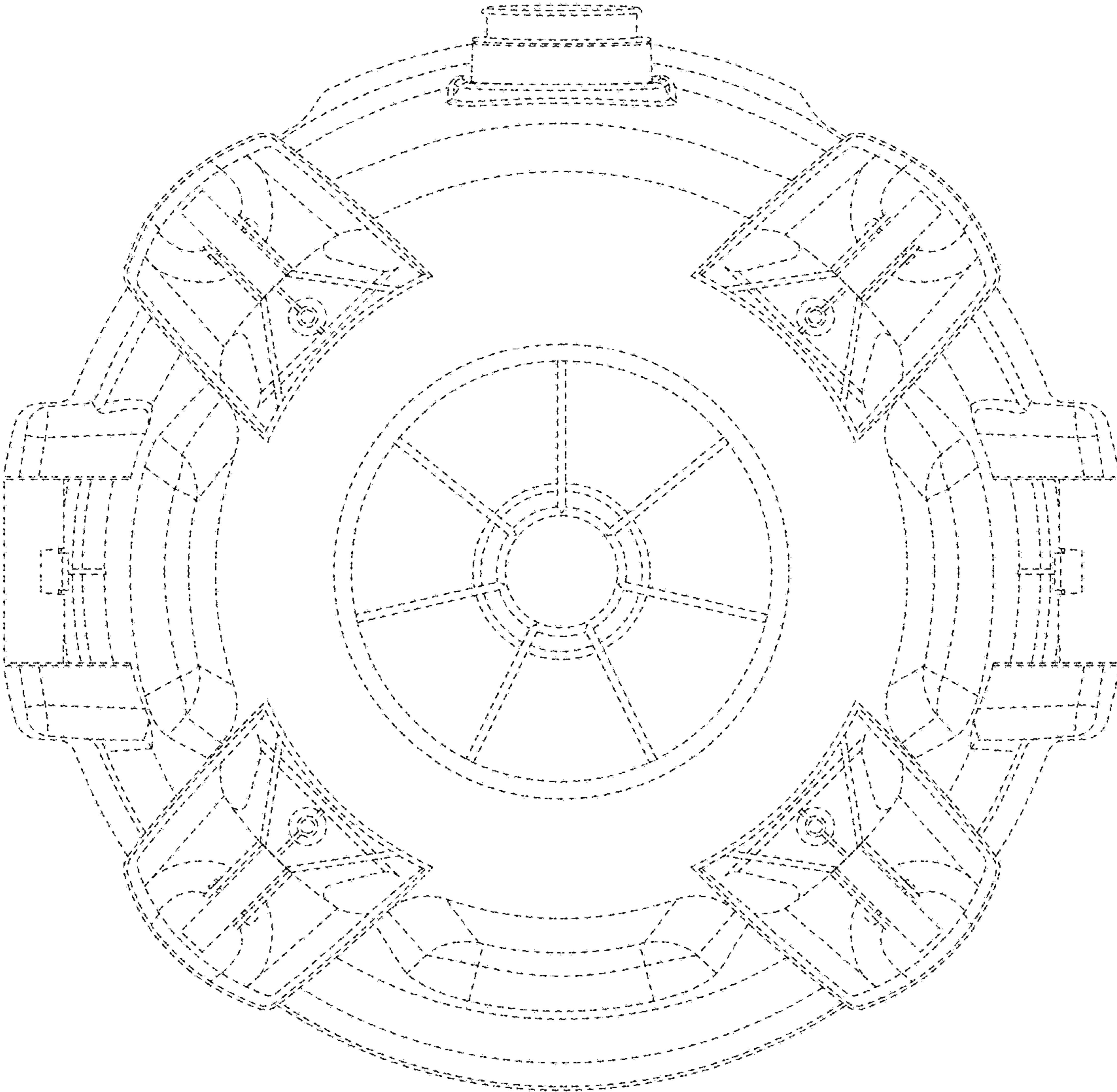


FIG. 7