



US00D867701S

(12) **United States Design Patent**  
**Mi et al.**

(10) **Patent No.:** **US D867,701 S**

(45) **Date of Patent:** **\*\* Nov. 19, 2019**

(54) **CLEANING ROBOT**

(71) Applicant: **Beijing Rockrobo Technology Co., Ltd.**, Beijing (CN)

(72) Inventors: **Chang Mi**, Beijing (CN); **Chuanlin Duan**, Beijing (CN); **Guang Yu**, Beijing (CN); **Dahong Gong**, Beijing (CN); **Zitao Wang**, Beijing (CN); **Fan Yang**, Beijing (CN); **Xiaoming Liu**, Beijing (CN); **Youcheng Lu**, Beijing (CN)

(73) Assignee: **Beijing Rockrobo Technology Co., Ltd.**, Beijing (CN)

(\*\*) Term: **15 Years**

(21) Appl. No.: **29/617,831**

(22) Filed: **Sep. 15, 2017**

(51) **LOC (12) Cl.** ..... **15-05**

(52) **U.S. Cl.**  
USPC ..... **D32/31**

(58) **Field of Classification Search**  
USPC ..... D32/21, 31; D13/108-109; 15/319  
CPC ..... E04H 4/1654; A47L 2201/00; A47L 2201/02; A47L 2201/04; A47L 2201/06; A47L 9/0461; A47L 9/2805; B25J 9/1694  
See application file for complete search history.

(56) **References Cited**

**U.S. PATENT DOCUMENTS**

D548,902 S *	8/2007	Chun	.....	D32/21
D556,961 S *	12/2007	Swyst	.....	D32/21
D596,815 S *	7/2009	Baek	.....	D32/21
D660,530 S *	5/2012	Geringer	.....	D32/21
D665,547 S *	8/2012	Nam	.....	D32/21
D670,877 S *	11/2012	Geringer	.....	D32/21
D690,478 S *	9/2013	Li	.....	D32/21
D703,397 S *	4/2014	Sungkyung	.....	D32/21

D714,003 S *	9/2014	Casini	.....	D32/21
D715,504 S *	10/2014	Deoksang	.....	D32/21
D718,911 S *	12/2014	Vanderstegen-Drake	.....	D32/21
D771,884 S *	11/2016	Ninomiya	.....	D32/21
D835,869 S *	12/2018	Li	.....	D32/21
D840,617 S *	2/2019	Dou	.....	D32/21

**OTHER PUBLICATIONS**

[https://www.gearbest.com/robot-vacuum/pp\\_440546.html](https://www.gearbest.com/robot-vacuum/pp_440546.html), roborock S50 Smart Robot Vacuum Cleaner, printed Feb. 14, 2018, and offered for sale at least as early as Aug. 31, 2016, 11 pgs.  
<https://www.mi.com/roomrobot/explain>, translated by Google Translate on Feb. 21, 2018, and offered for sale at least as early as Aug. 31, 2016, 8 pgs.

\* cited by examiner

*Primary Examiner* — Ruth McInroy

(74) *Attorney, Agent, or Firm* — Greenberg Traurig, LLP

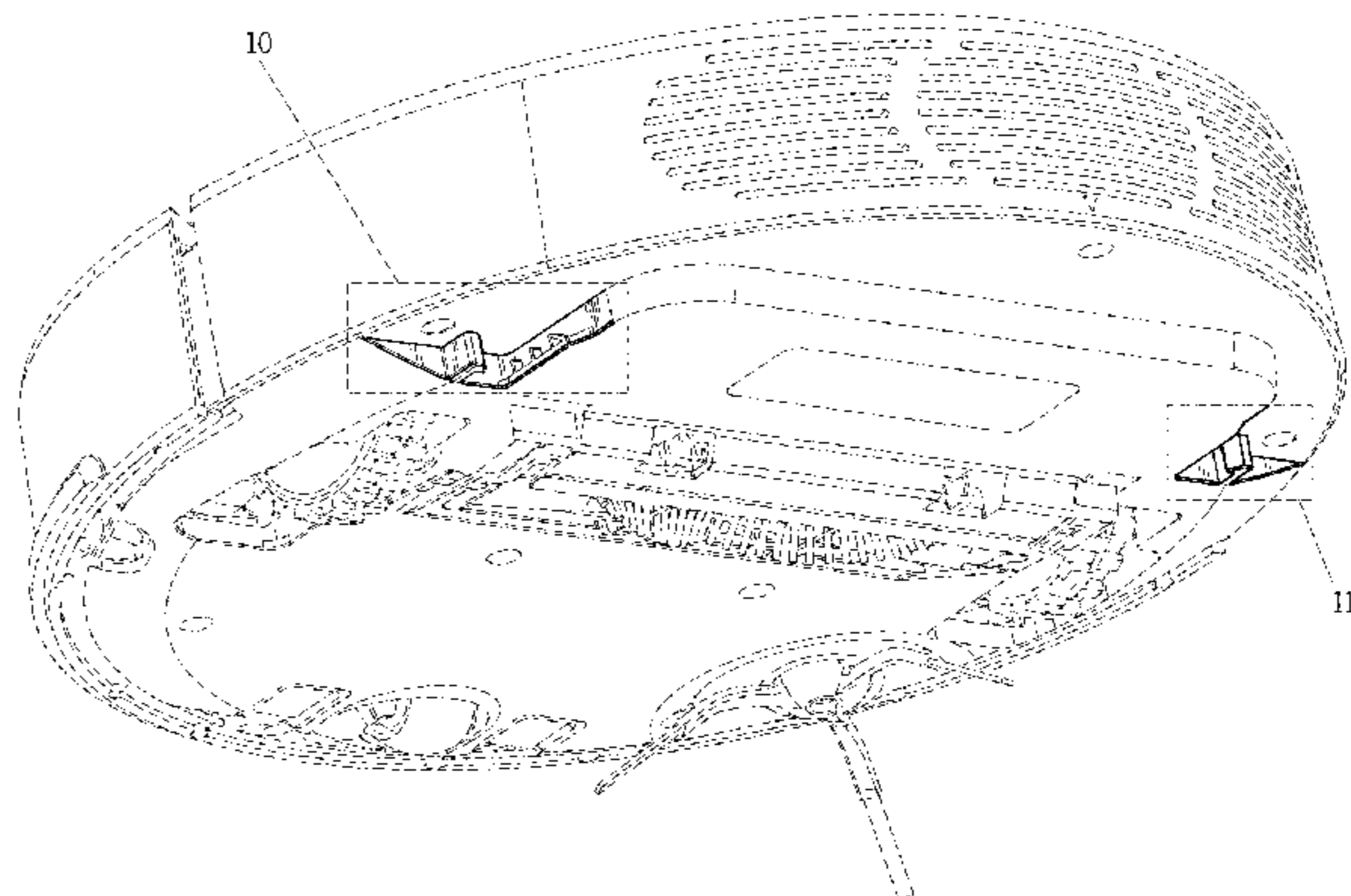
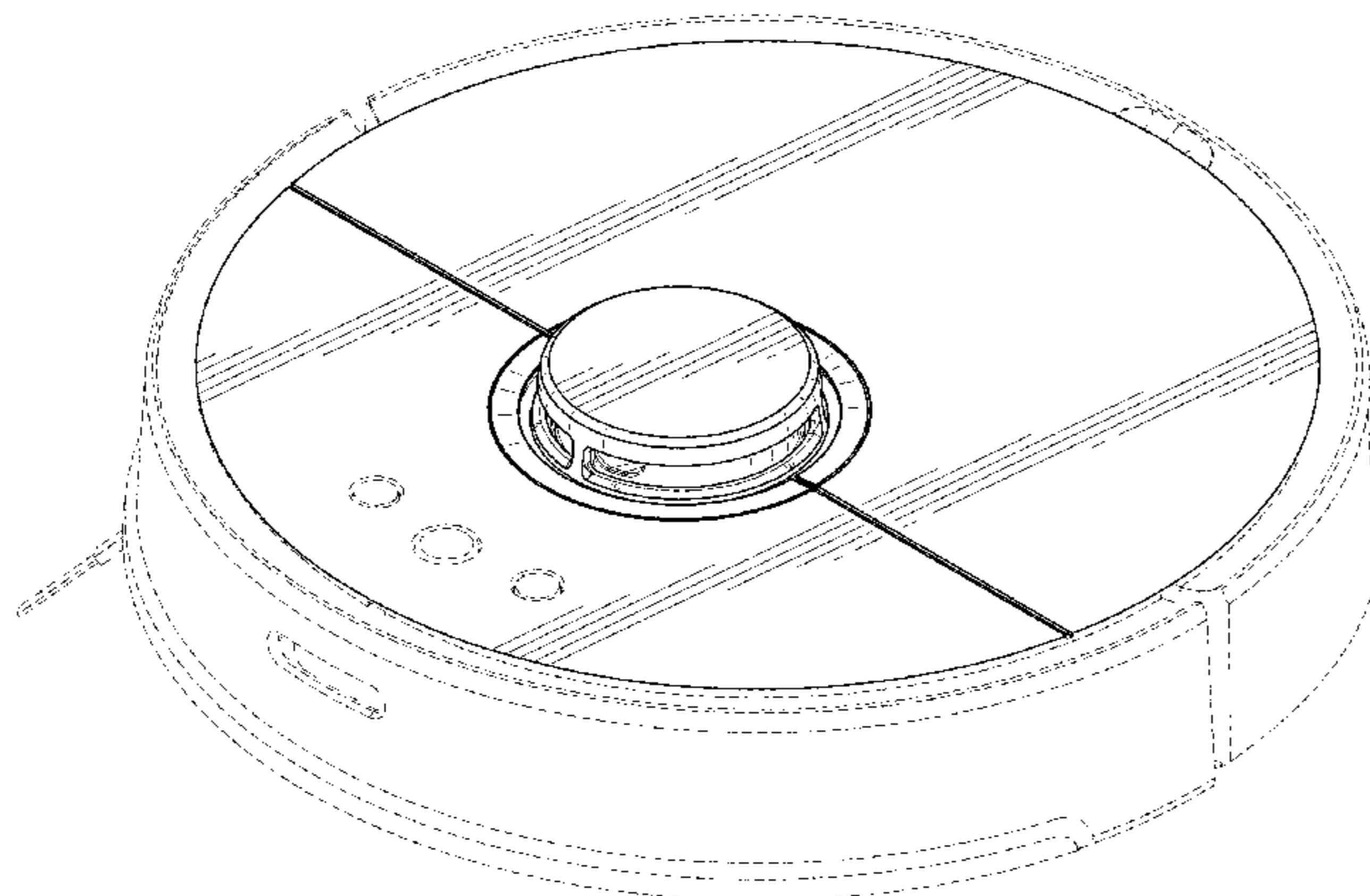
(57) **CLAIM**

We claim the ornamental design for a cleaning robot, as shown and described.

**DESCRIPTION**

FIG. 1 is a front perspective view of a cleaning robot showing our new design;  
FIG. 2 is a front elevational view thereof;  
FIG. 3 a rear elevational view thereof;  
FIG. 4 is a right side elevational view thereof;  
FIG. 5 is a left side elevational view thereof;  
FIG. 6 is a top plan view thereof;  
FIG. 7 is a bottom plan view thereof;  
FIG. 8 is an above-rear perspective view thereof;  
FIG. 9 is a lower-rear perspective view thereof;  
FIG. 10 is an enlarged view of the detail in FIG. 9; and,  
FIG. 11 is an enlarged view of the detail in FIG. 9.  
The dashed lines in the figures form no part of the claimed design.

**1 Claim, 8 Drawing Sheets**



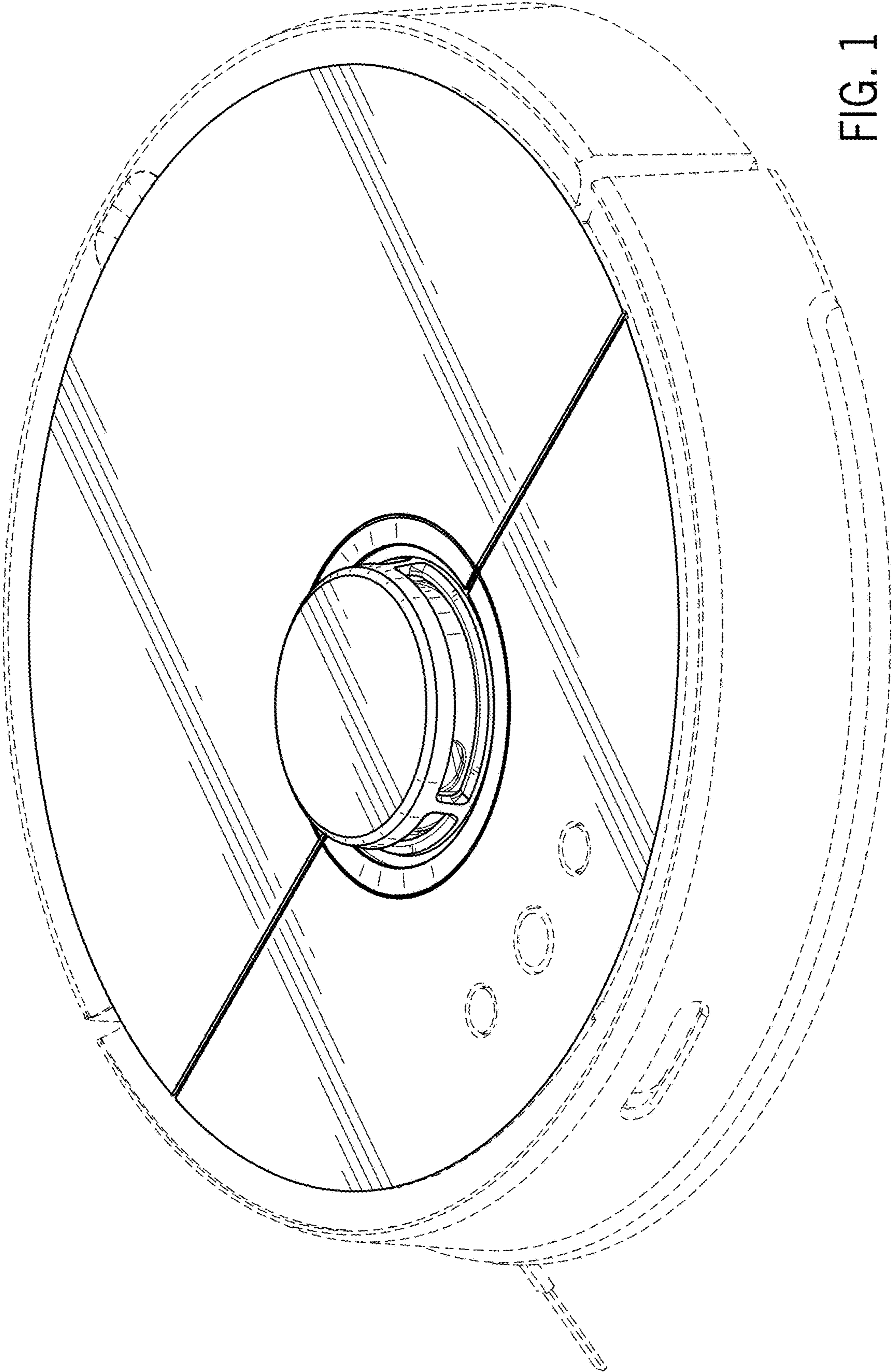


FIG. 1

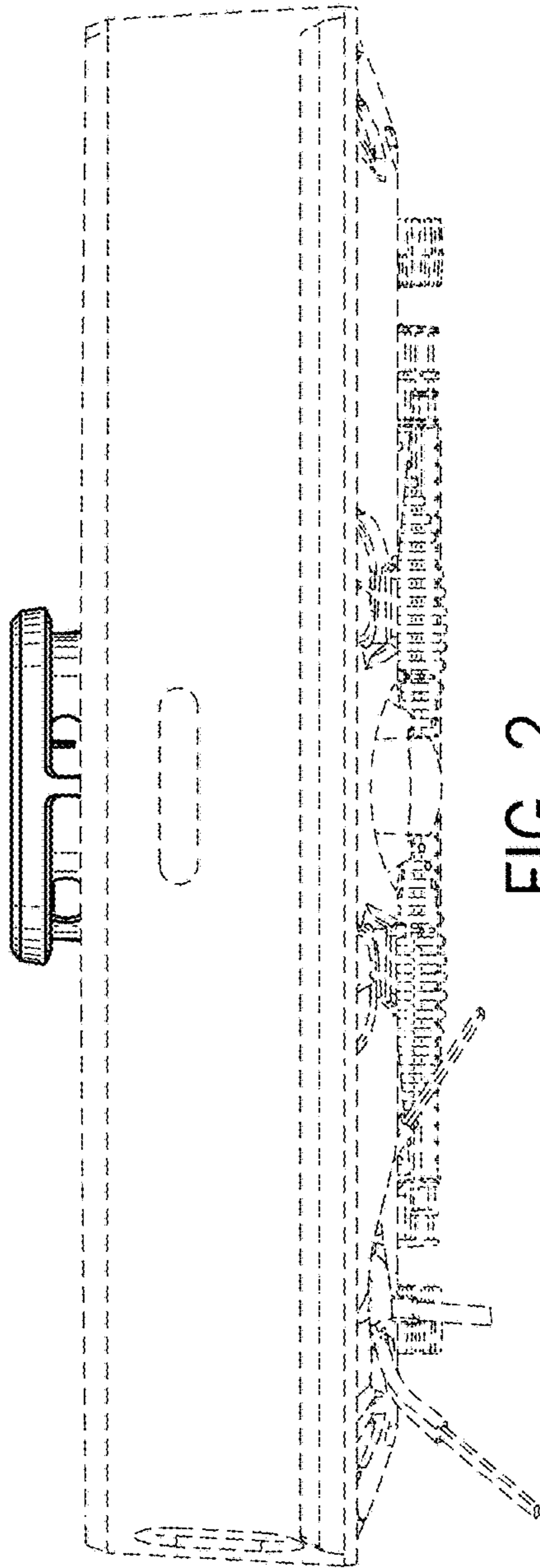


FIG. 2

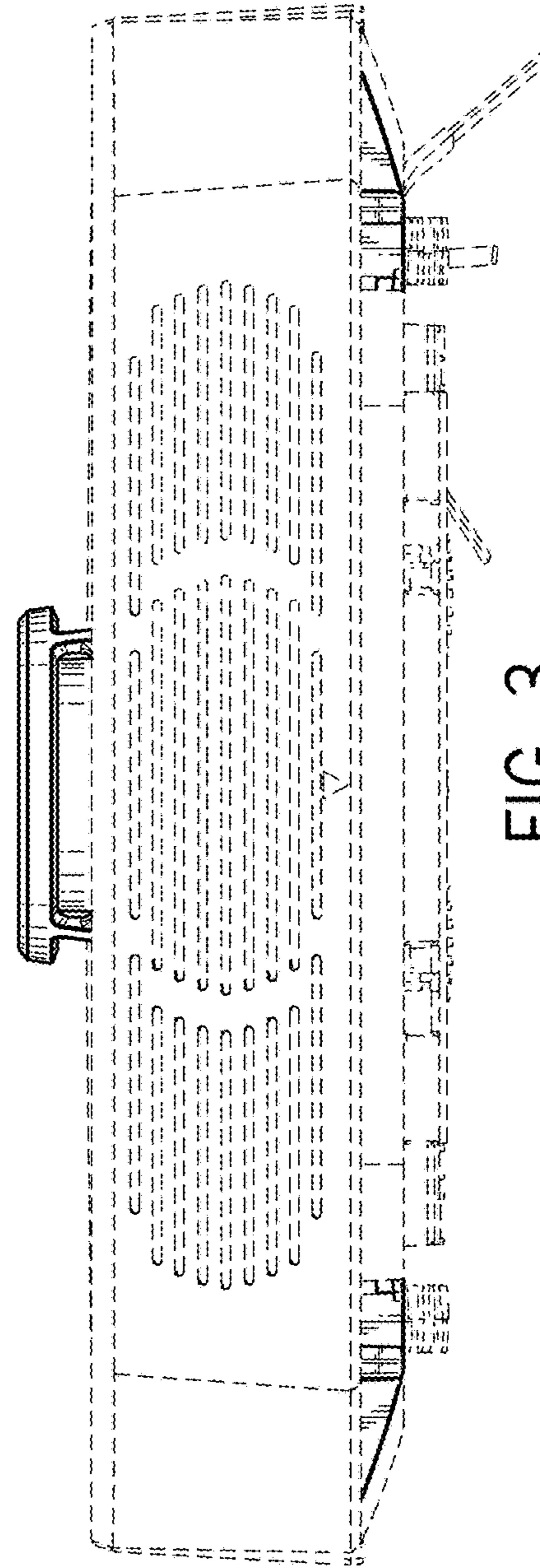


FIG. 3

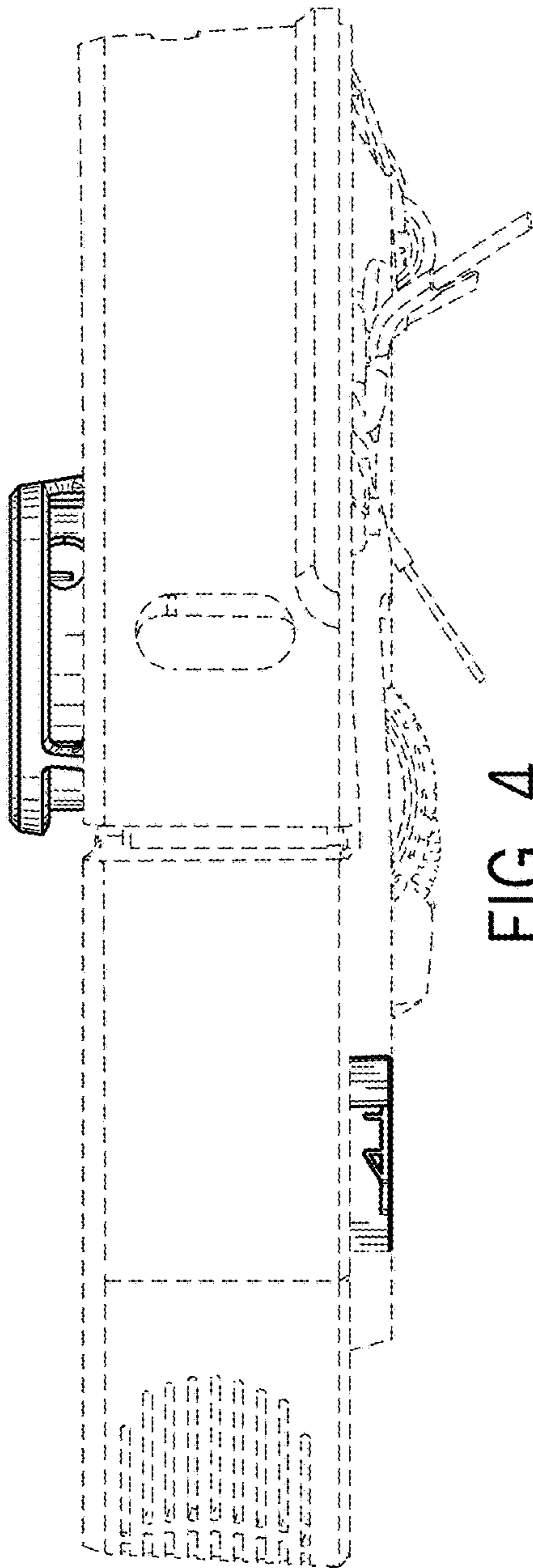


FIG. 4

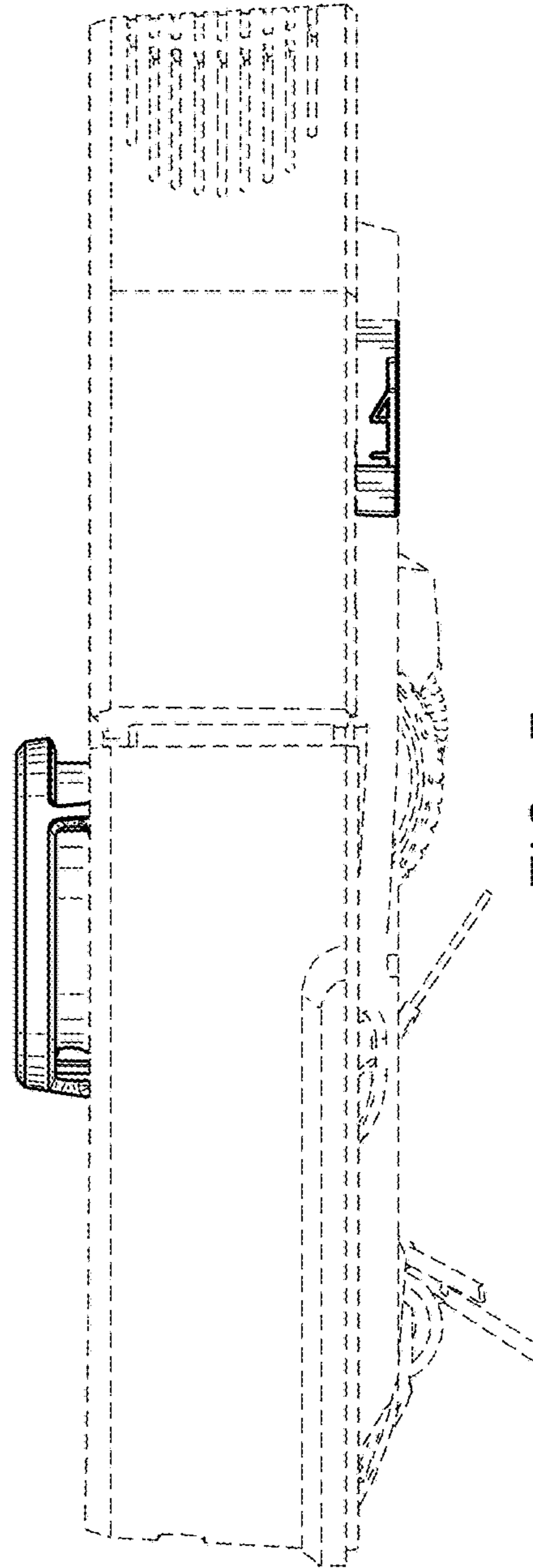


FIG. 5

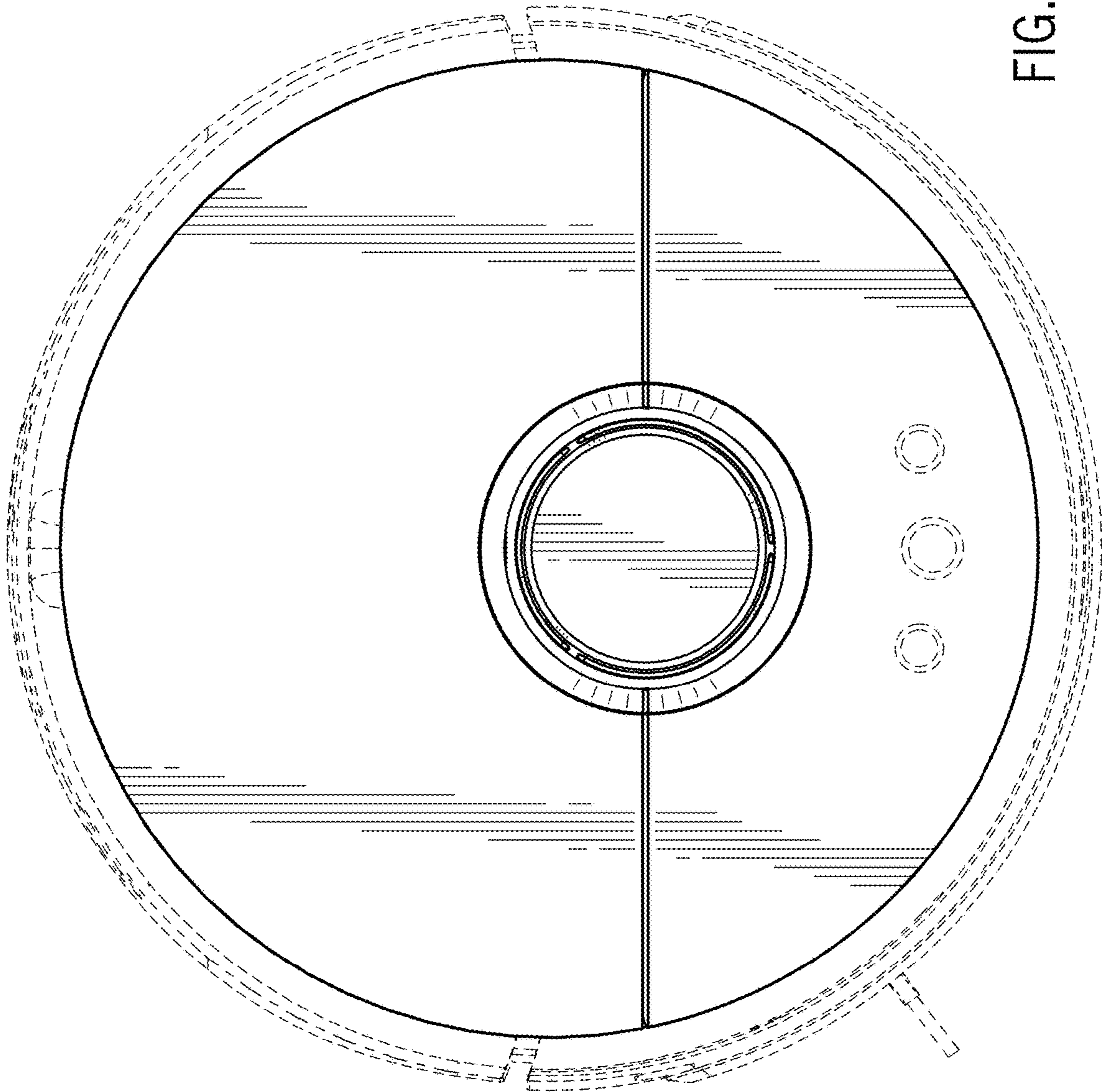


FIG. 6

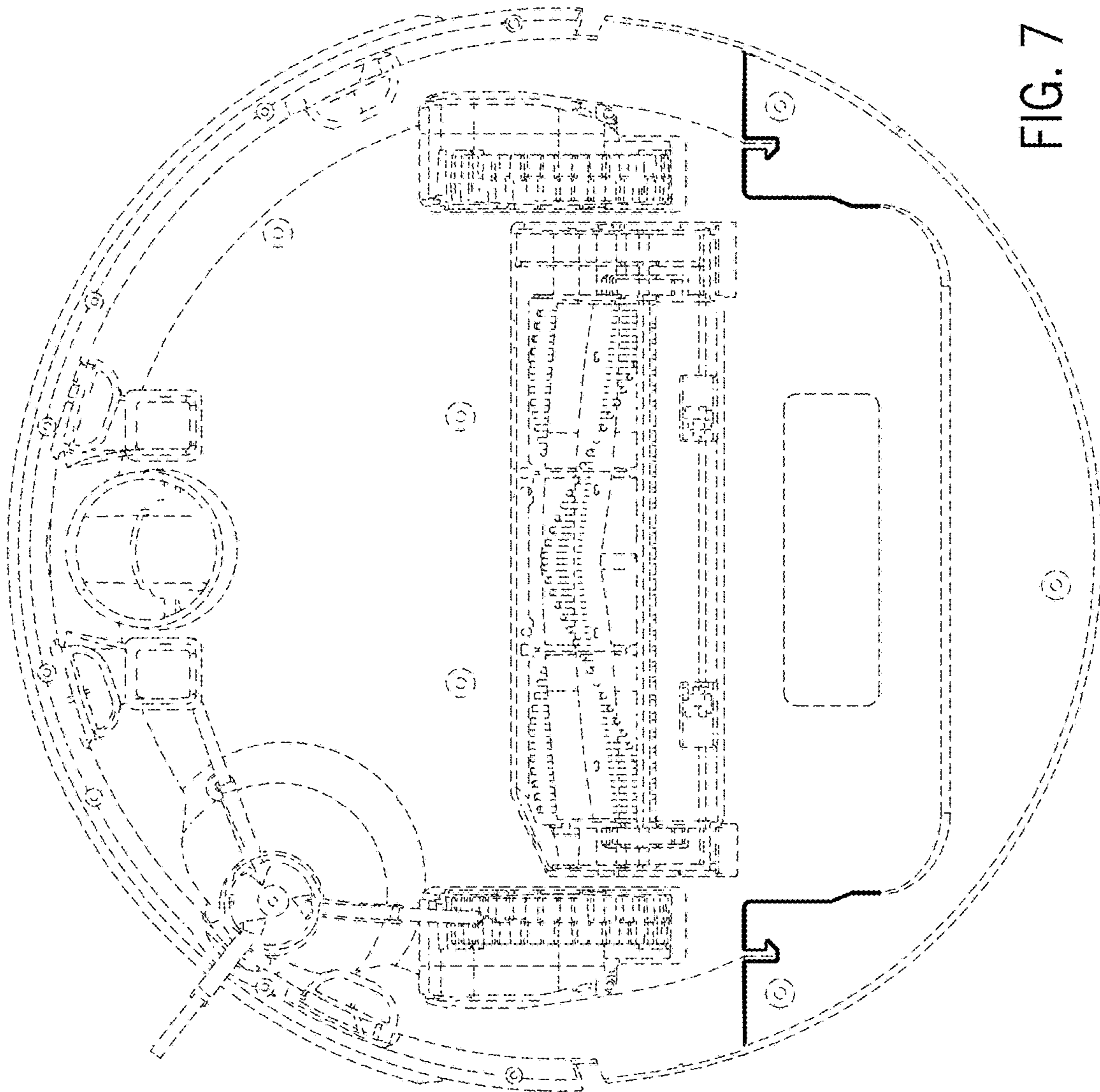


FIG. 7

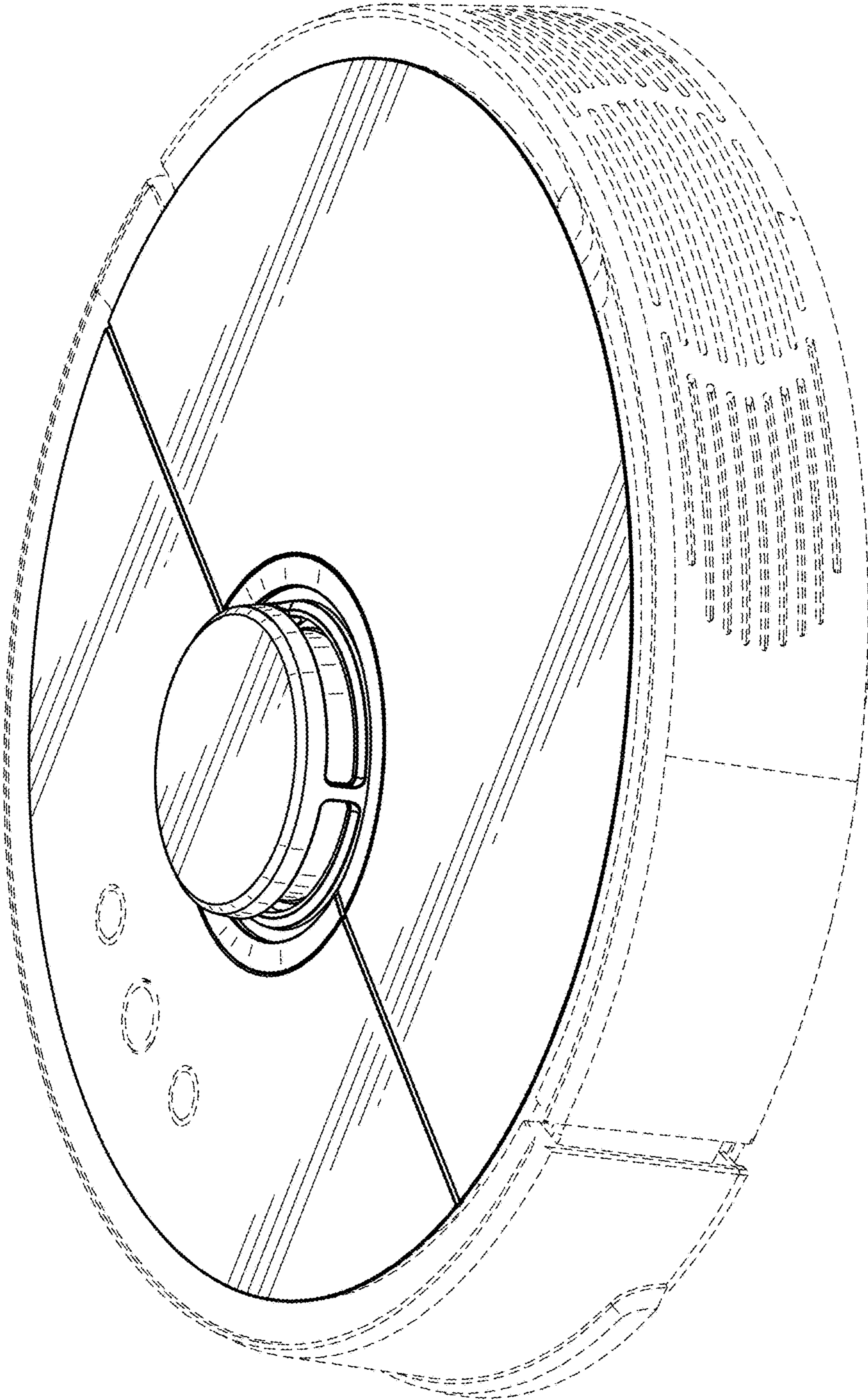


FIG. 8

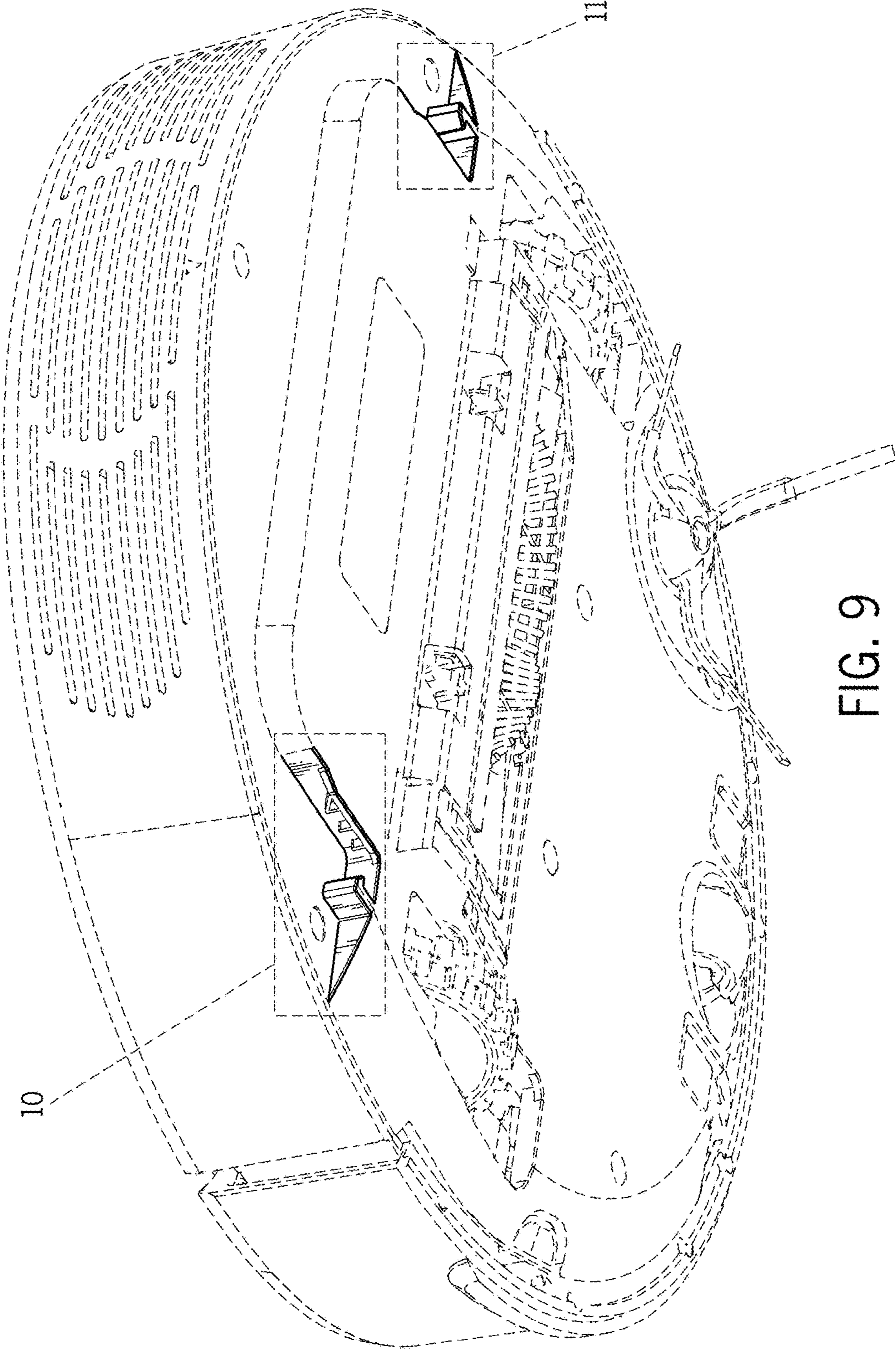


FIG. 9



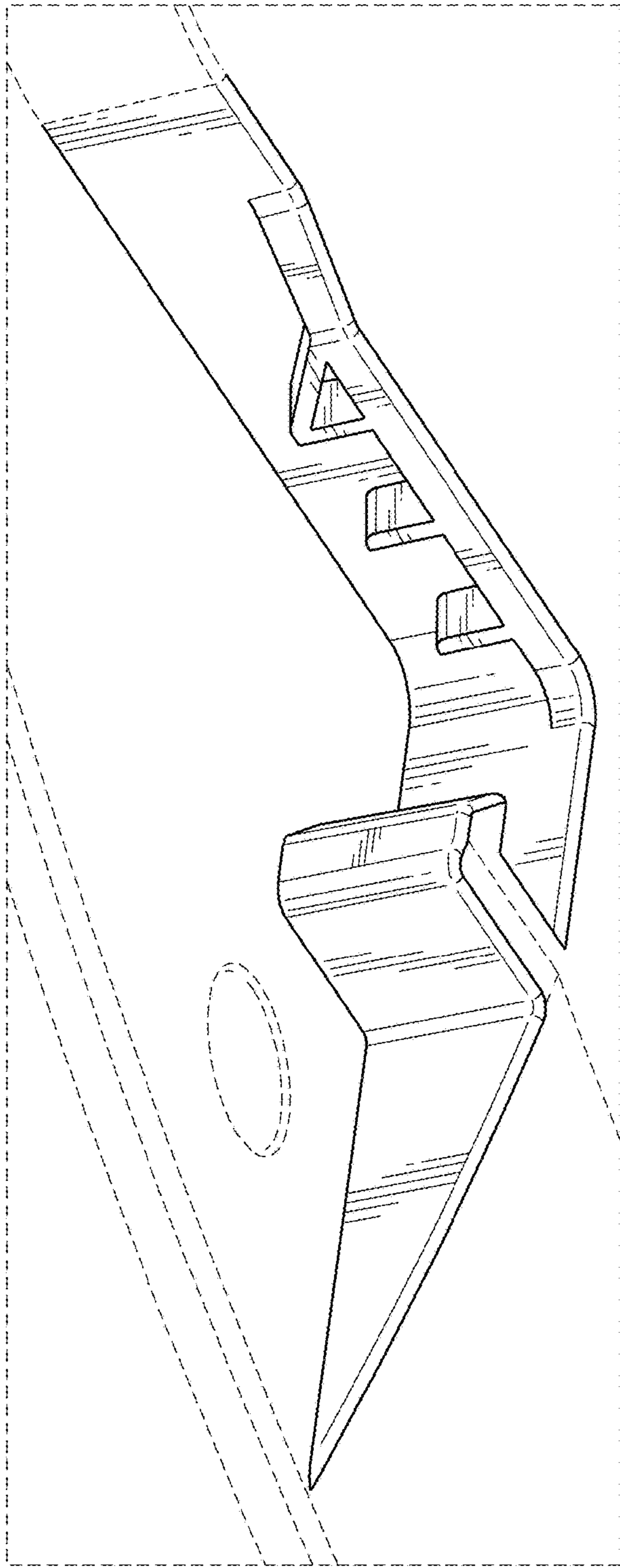


FIG. 10

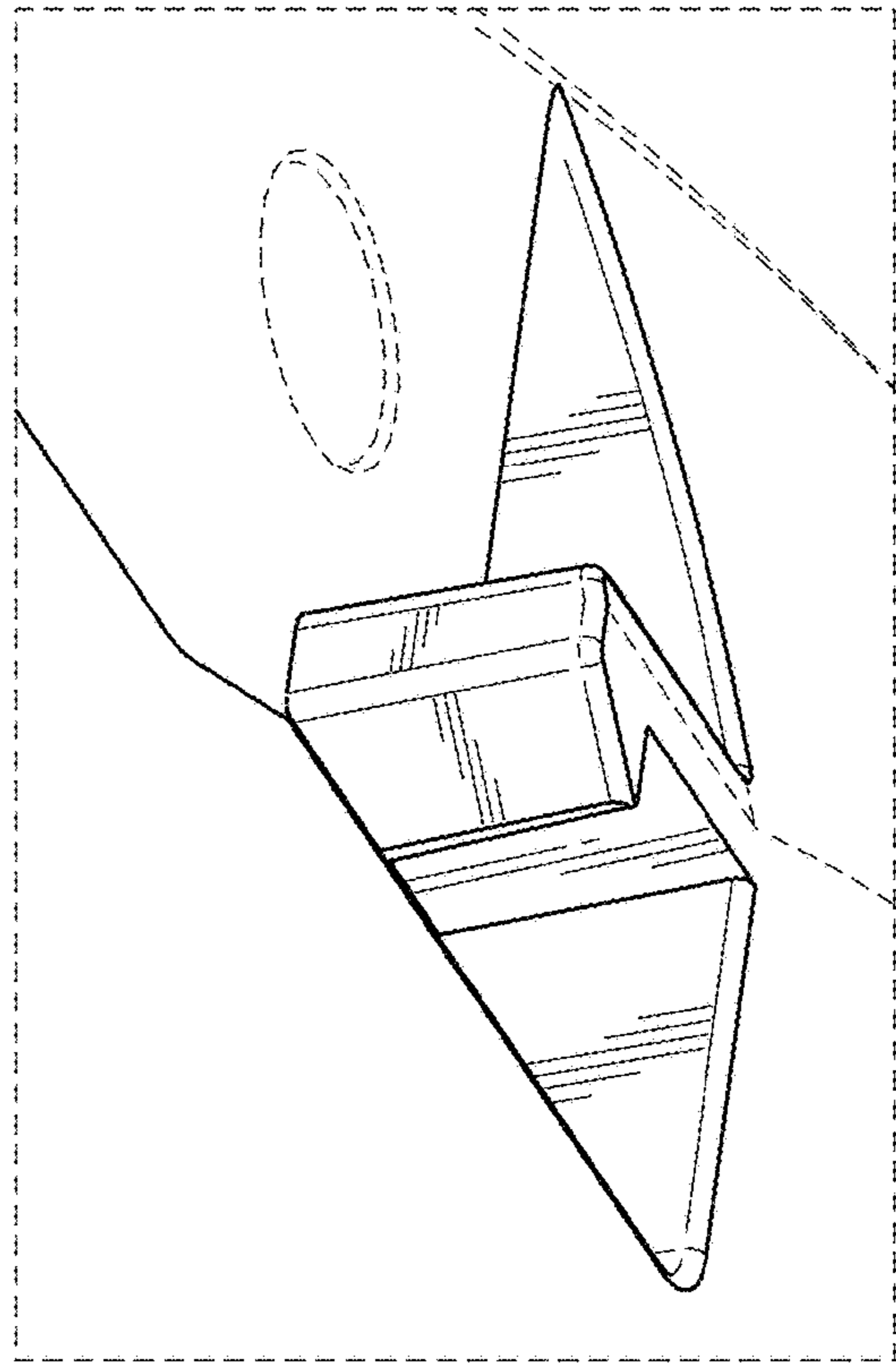


FIG. 11