



US00D867696S

(12) **United States Design Patent**
Onyenkwere

(10) **Patent No.:** **US D867,696 S**

(45) **Date of Patent:** **** Nov. 19, 2019**

(54) **WASTE COLLECTION VACUUM**

(71) Applicant: **Isaac Onyenkwere**, Houston, TX (US)

(72) Inventor: **Isaac Onyenkwere**, Houston, TX (US)

(**) Term: **15 Years**

(21) Appl. No.: **29/646,992**

(22) Filed: **May 8, 2018**

(51) **LOC (12) Cl.** **15-05**

(52) **U.S. Cl.**
USPC **D32/18**

(58) **Field of Classification Search**
USPC D32/17, 18, 22, 31-33
CPC ... A47L 5/24; A47L 5/362; A47L 5/36; A47L
5/28; A47L 9/102; A47L 9/1683; B01D
50/002
See application file for complete search history.

(56) **References Cited**

U.S. PATENT DOCUMENTS

D561,415 S * 2/2008 Tavano D32/34
D644,384 S * 8/2011 Santiago D32/34

D668,824 S * 10/2012 Miers D32/18
D703,890 S * 4/2014 Shin D32/18
D804,754 S * 12/2017 Washington D32/31
D805,267 S * 12/2017 Maune D32/31
D809,230 S * 1/2018 Bowen D32/31
D829,393 S * 9/2018 Shin D32/18

* cited by examiner

Primary Examiner — Ruth McInroy

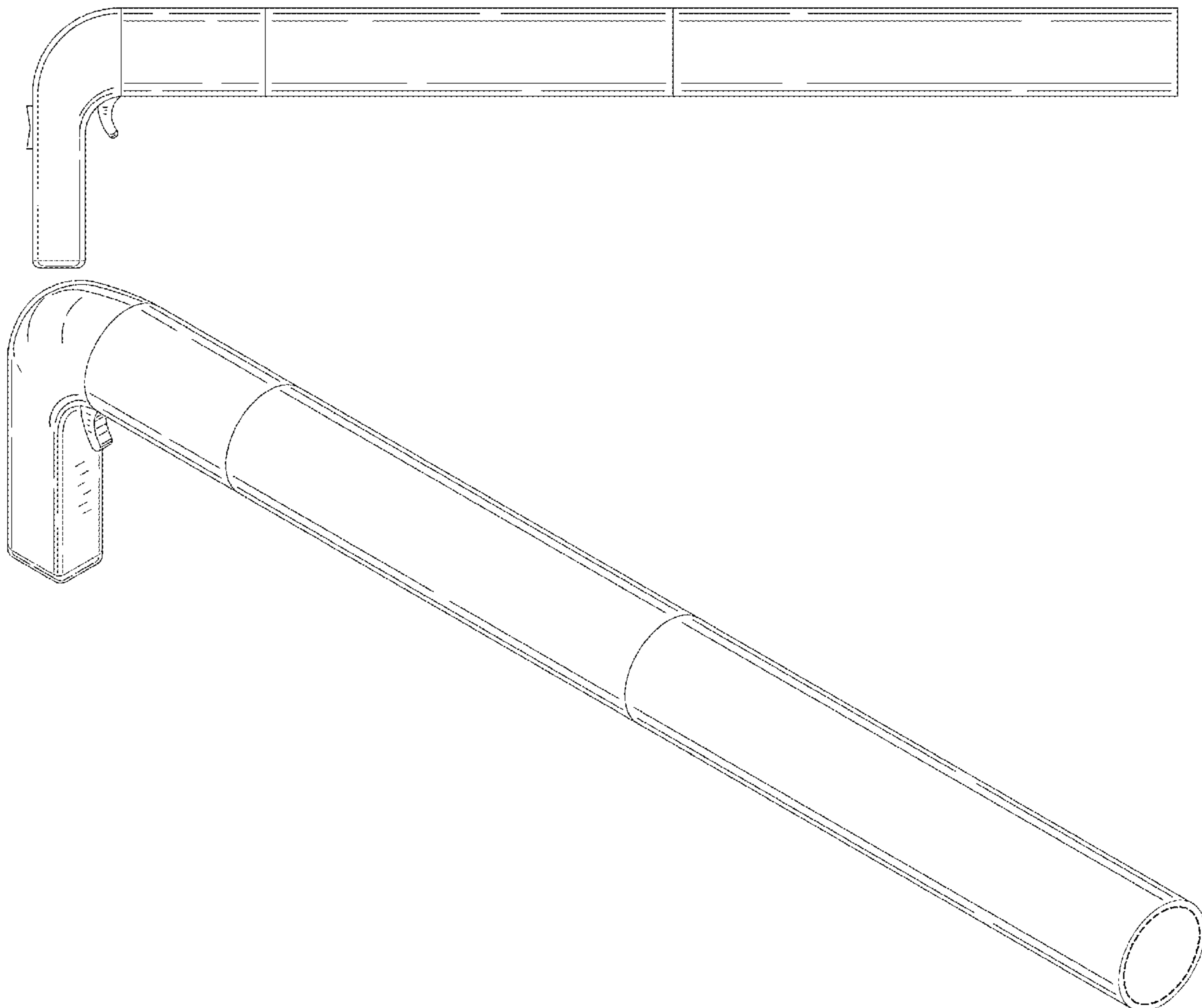
(57) **CLAIM**

The ornamental design for a waste collection vacuum, as shown and described.

DESCRIPTION

FIG. 1 is a front view of a waste collection vacuum showing my new design, the rear view being a mirror image;
FIG. 2 is a left side view thereof;
FIG. 3 is a right side view thereof;
FIG. 4 is a top view thereof;
FIG. 5 is a bottom view thereof; and,
FIG. 6 is a top, front perspective view thereof.
The details shown in broken lines form no part of the claimed design.

1 Claim, 3 Drawing Sheets



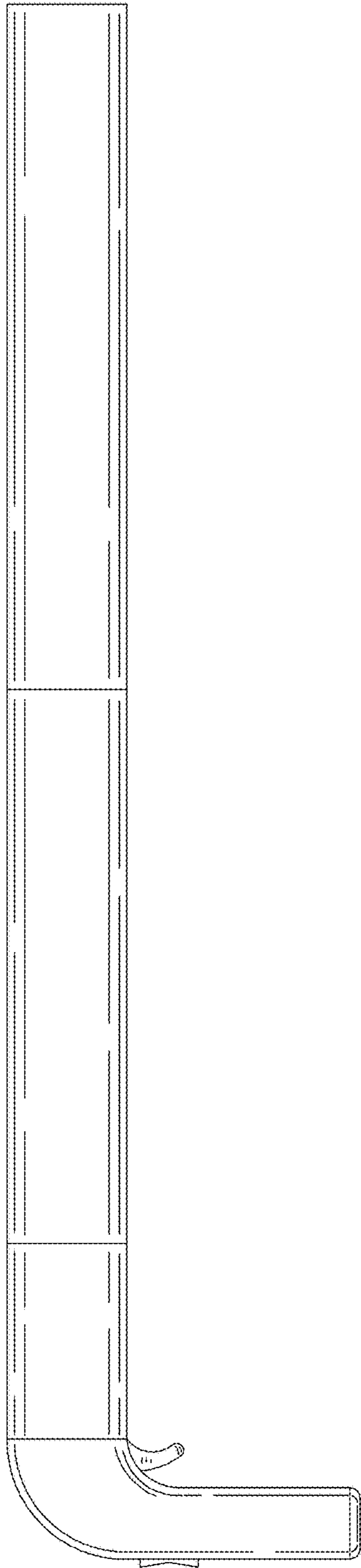


FIG. 1

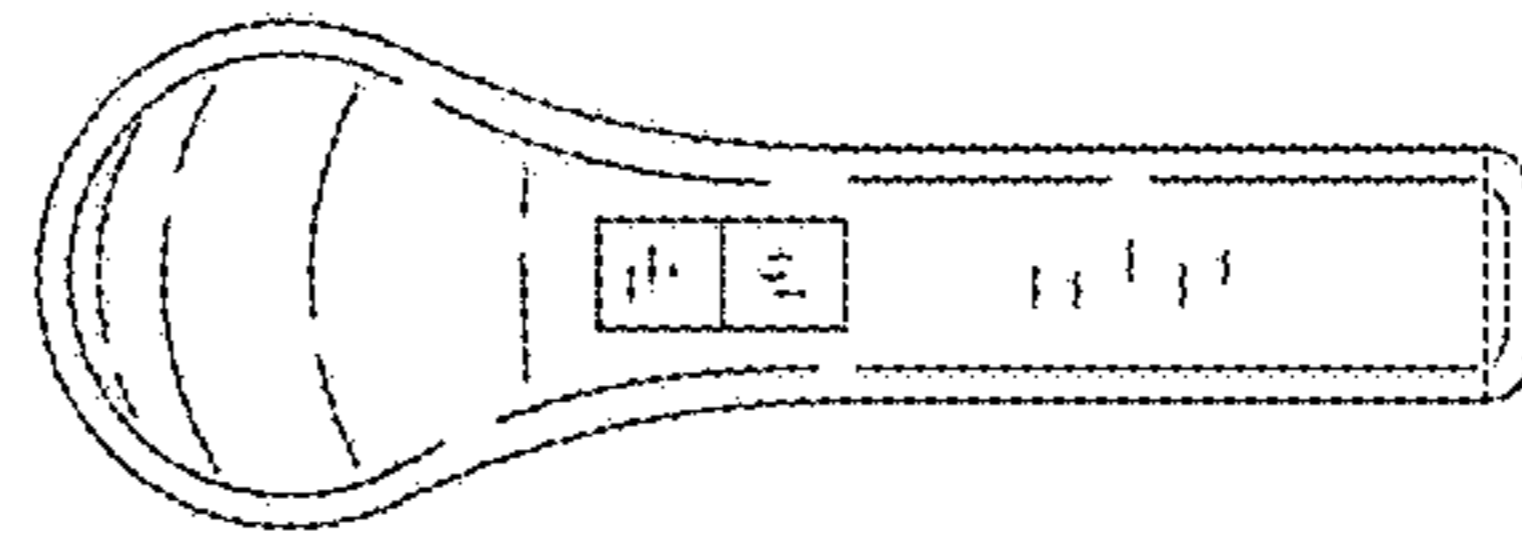


FIG. 2

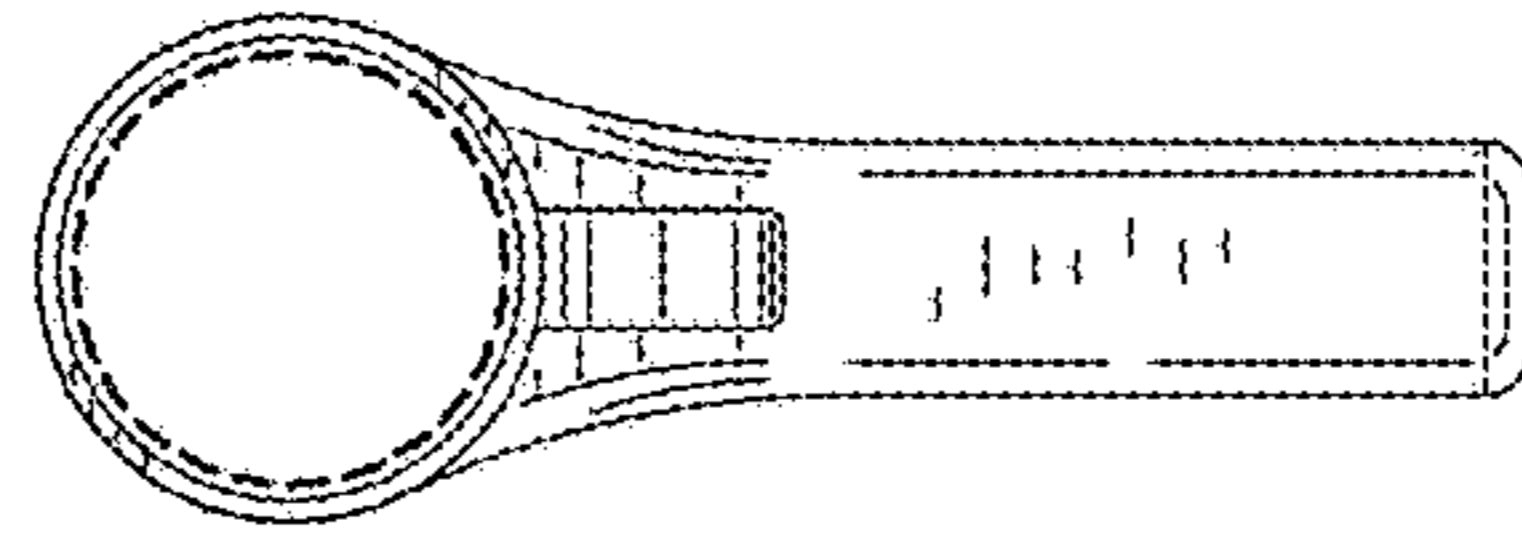


FIG. 3

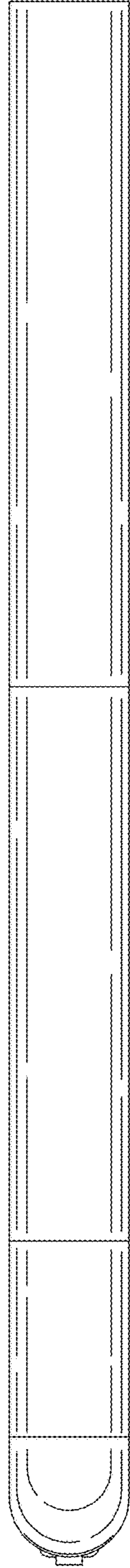


FIG. 4

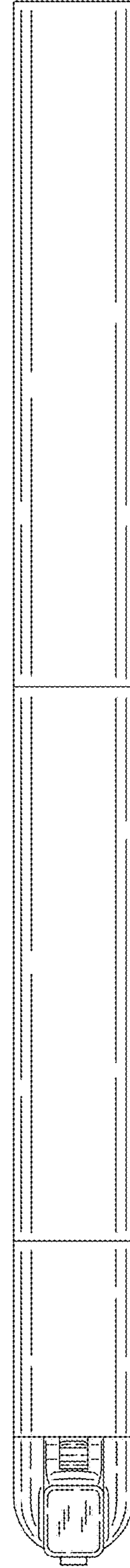


FIG. 5

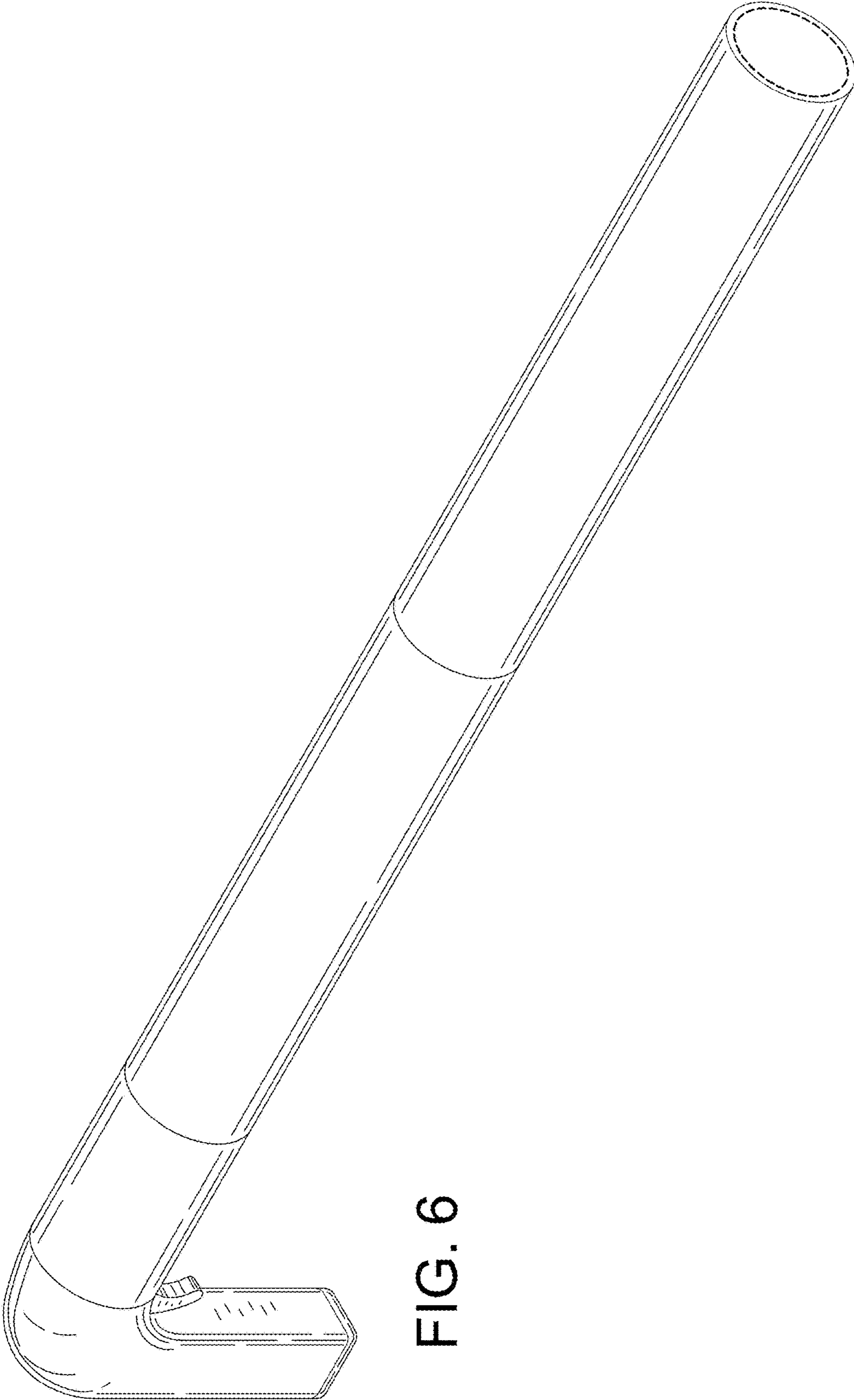


FIG. 6