

US00D867695S

(12) **United States Design Patent**  
**Tian et al.**

(10) **Patent No.:** **US D867,695 S**

(45) **Date of Patent:** **\*\* Nov. 19, 2019**

(54) **VACUUM CLEANER**

(71) Applicant: **Ningbo Beari Electric Appliance Co., Ltd.**, Yuyao, Zhejiang (CN)

(72) Inventors: **Jichuan Tian**, Yuyao (CN); **Jianfeng Hu**, Yuyao (CN); **Bo Xiang**, Yuyao (CN)

(73) Assignee: **NINGBO BEARI ELECTRIC APPLIANCE CO., LTD.**, Yuyao, Zhejiang (CN)

(\*\*) Term: **15 Years**

(21) Appl. No.: **29/644,807**

(22) Filed: **Apr. 20, 2018**

(51) **LOC (12) Cl.** ..... **15-05**

(52) **U.S. Cl.**  
USPC ..... **D32/18**

(58) **Field of Classification Search**  
USPC ..... D32/17-18, 22, 31, 34  
CPC ..... A47L 5/24; A47L 5/26; A47L 5/28; A47L 9/322; A47L 9/325; A47L 9/327; A47L 11/4075  
See application file for complete search history.

(56) **References Cited**

**U.S. PATENT DOCUMENTS**

D668,010 S *	9/2012	Stickney	.....	D32/18
D703,890 S *	4/2014	Shin	.....	D32/18
9,027,198 B2 *	5/2015	Conrad	.....	A47L 9/16 15/344
D731,130 S *	6/2015	Dyson	.....	D32/18
D731,720 S *	6/2015	Gidwell	.....	D32/18

D738,584 S *	9/2015	Niedzwecki	.....	D32/18
D743,123 S *	11/2015	Chu	.....	D32/18
D745,231 S *	12/2015	Niedzwecki	.....	D32/18
D747,571 S *	1/2016	Dyson	.....	D32/18
D792,665 S *	7/2017	Salagnac	.....	D32/18
D798,009 S *	9/2017	Salagnac	.....	D32/18
D799,767 S *	10/2017	Palladino	.....	D32/22
D821,044 S *	6/2018	Cao	.....	D32/18
D824,616 S *	7/2018	Ward	.....	D32/22
D827,955 S *	9/2018	Palladino	.....	D32/18
10,080,471 B2 *	9/2018	Reimer	.....	A47L 5/225

\* cited by examiner

*Primary Examiner* — Ruth McInroy

(74) *Attorney, Agent, or Firm* — Muncy, Geissler, Olds & Lowe, P.C.

(57) **CLAIM**

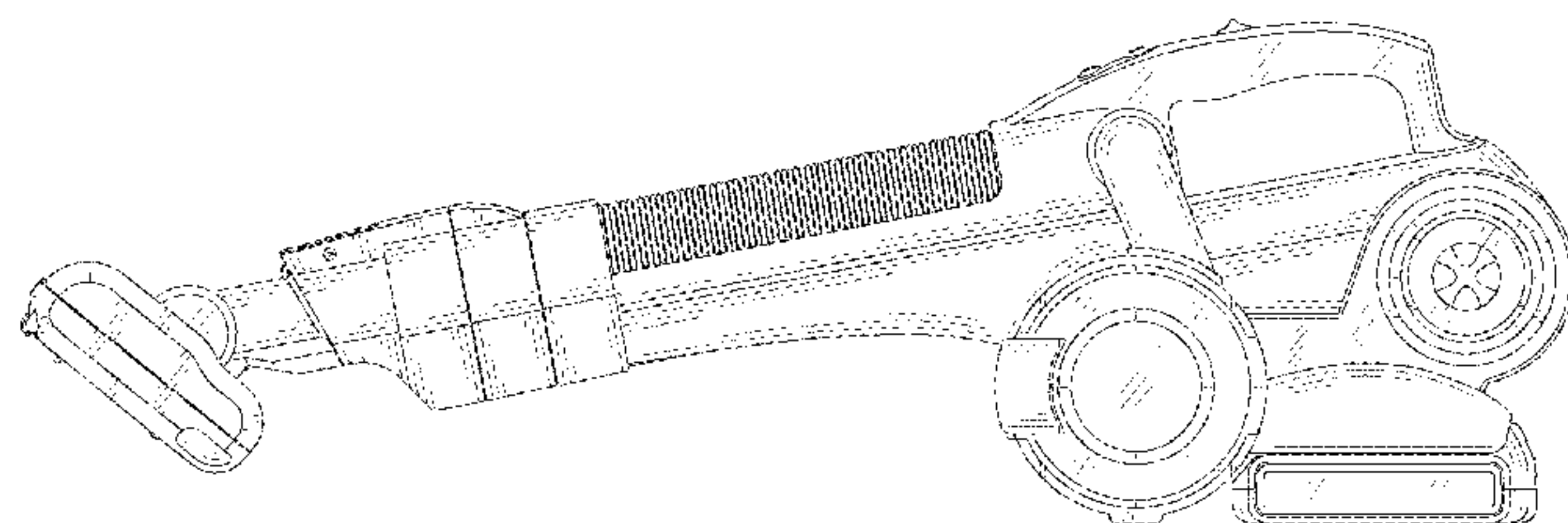
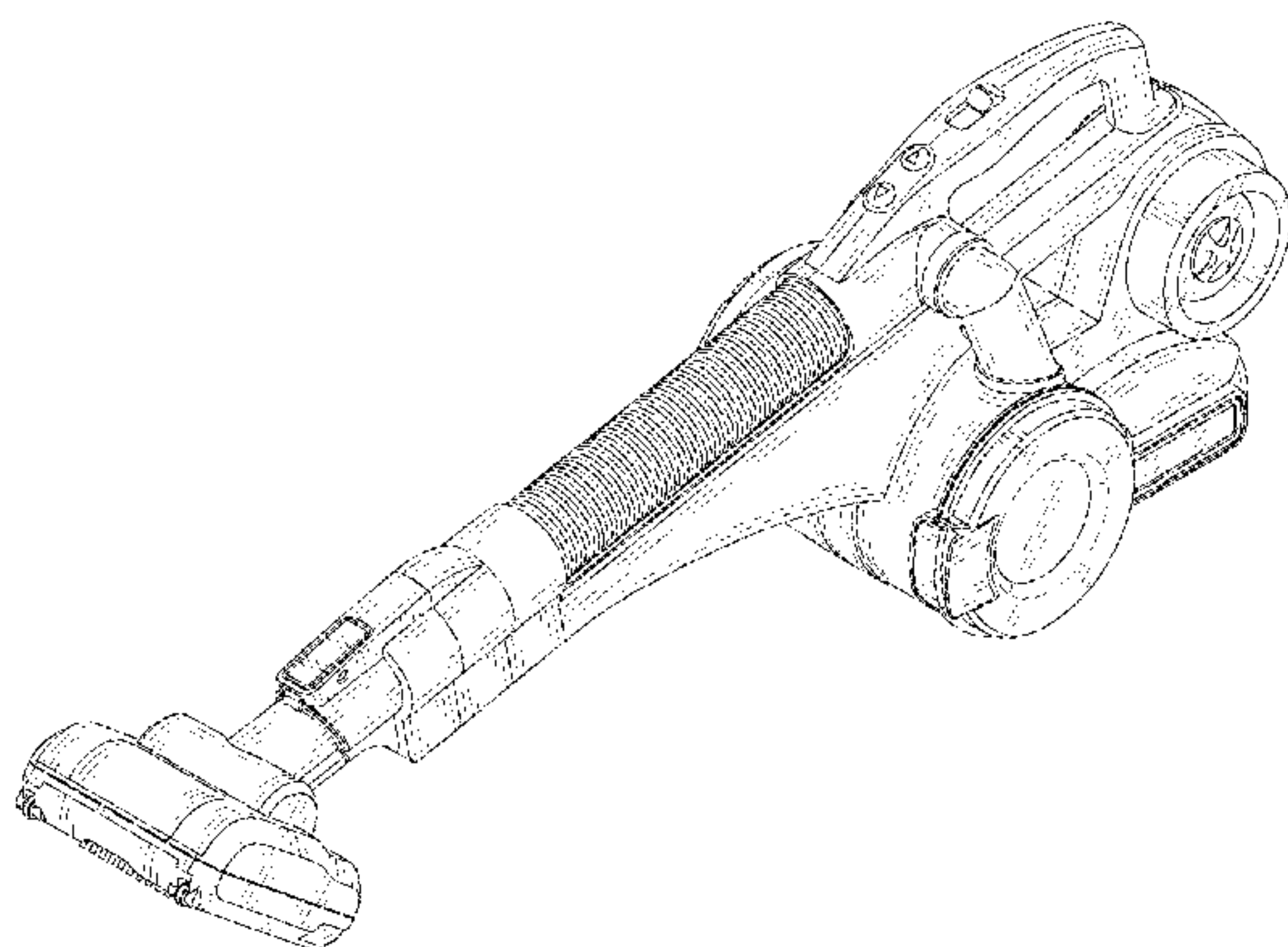
The ornamental design for a vacuum cleaner, as shown and described.

**DESCRIPTION**

FIG. 1 is a perspective view of the vacuum cleaner; FIG. 2 is a front elevational view of the vacuum cleaner; FIG. 3 is a rear elevational view of the vacuum cleaner; FIG. 4 is a left side elevational view of the vacuum cleaner; FIG. 5 is a right side elevational view of the vacuum cleaner; FIG. 6 is a top plan view of the vacuum cleaner; FIG. 7 is a bottom plan view of the vacuum cleaner; FIG. 8 is perspective view of the vacuum cleaner showing the hose in an alternate, extended position; and, FIG. 9 is a portion of FIG. 4 enlarged for magnification purposes.

The dash-dot-dash line used in FIG. 4 indicates the portion being enlarged in FIG. 9.

**1 Claim, 9 Drawing Sheets**



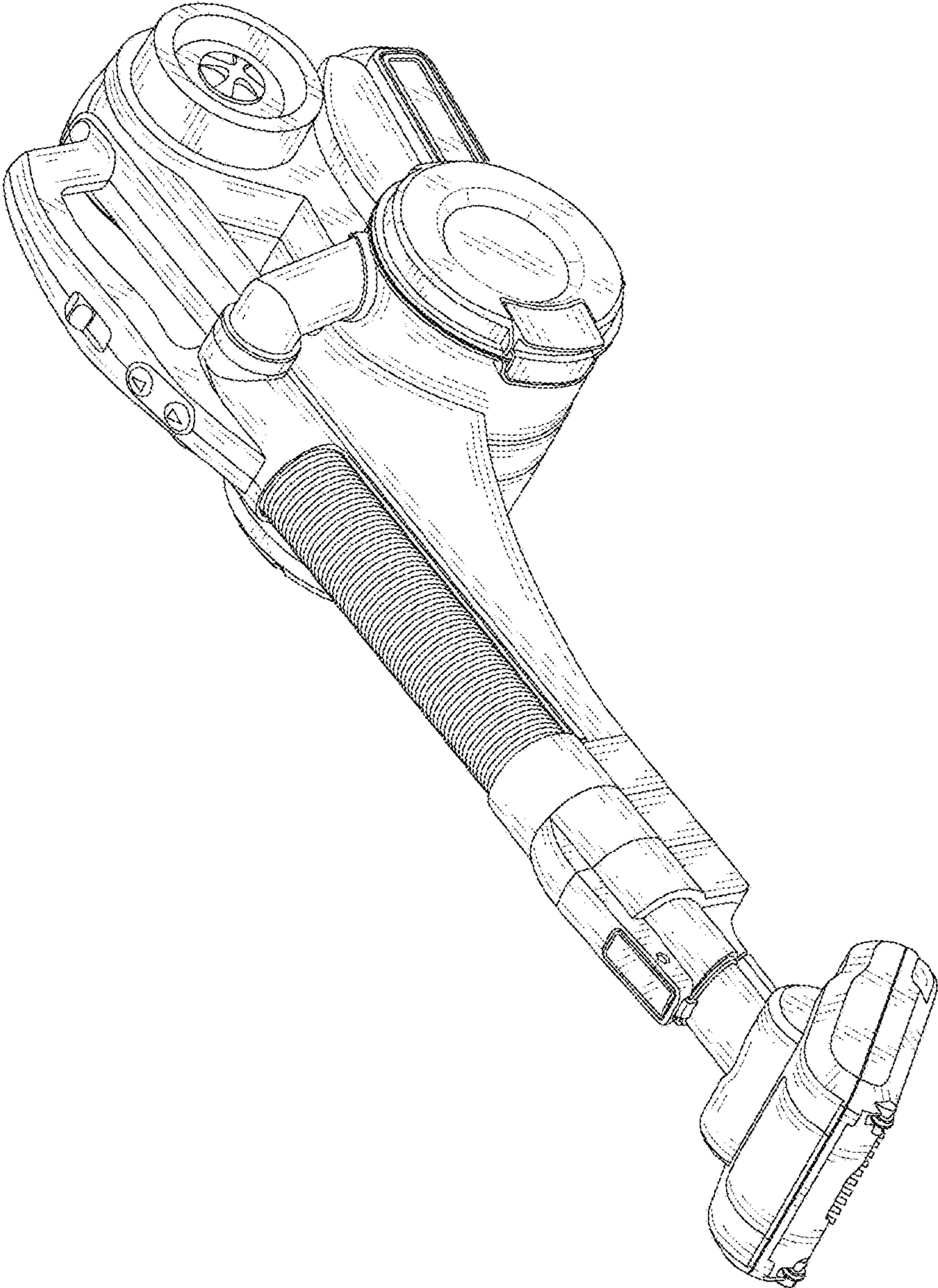


FIG. 1

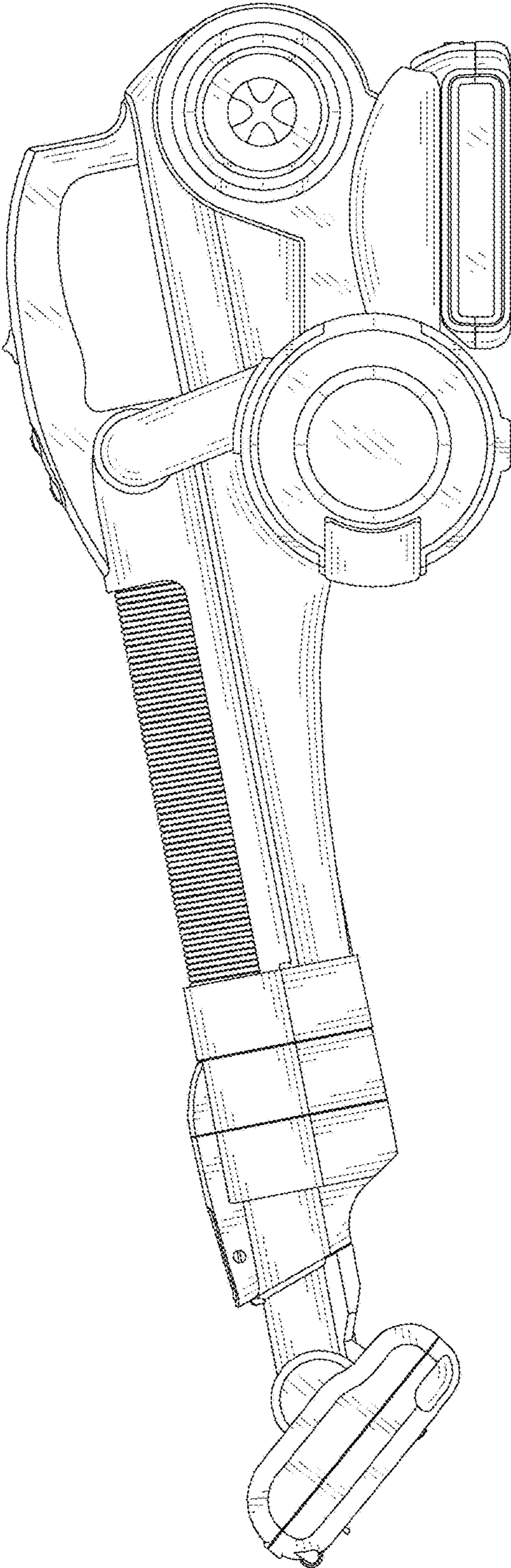


FIG. 2



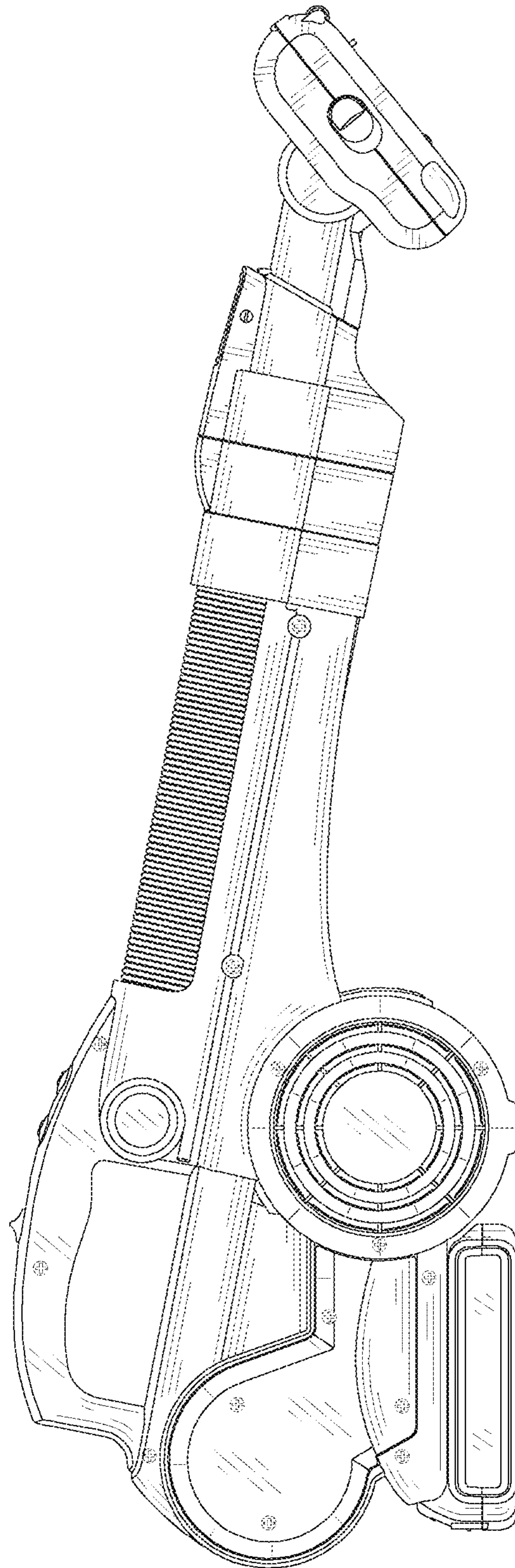


FIG. 3

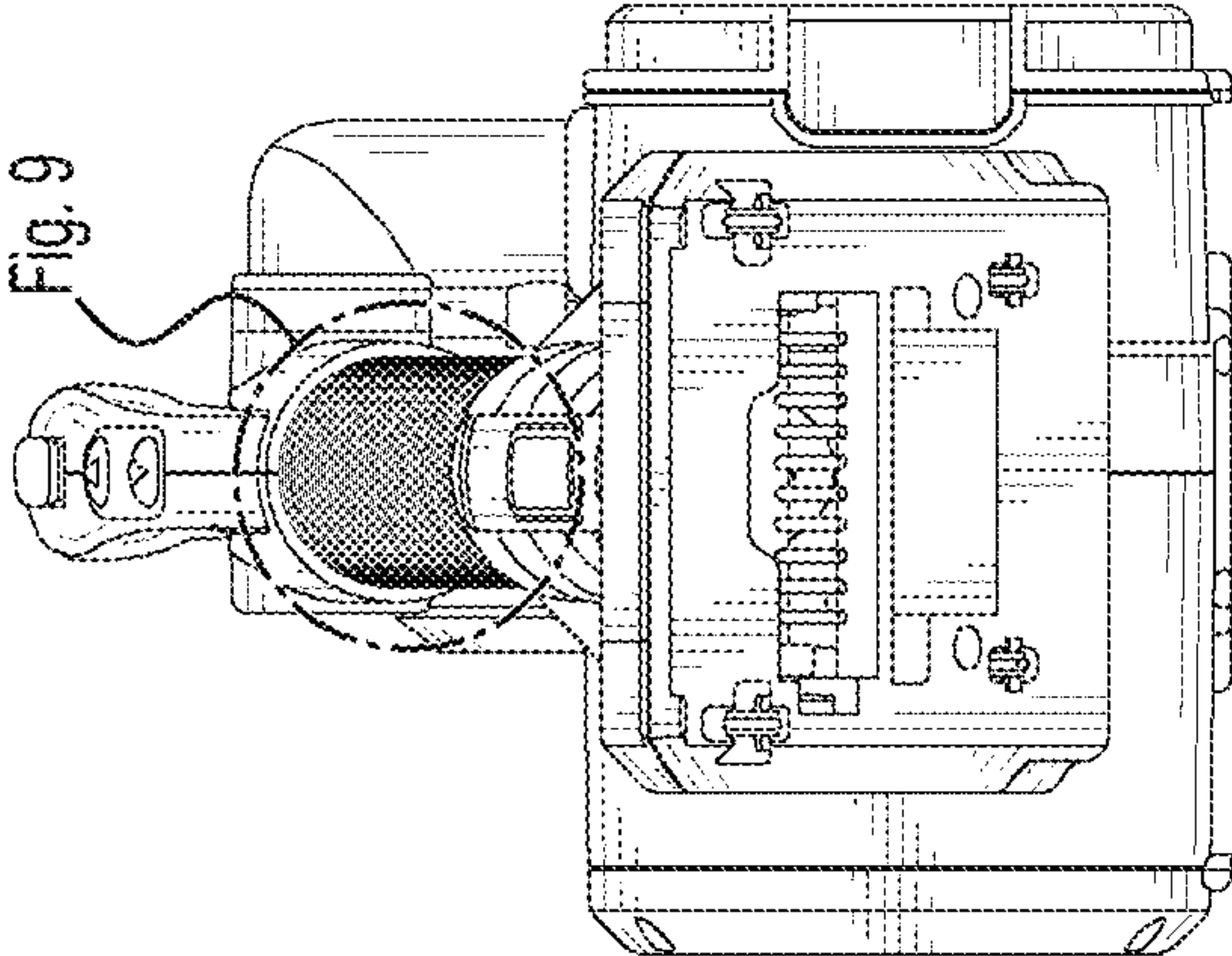


FIG. 4

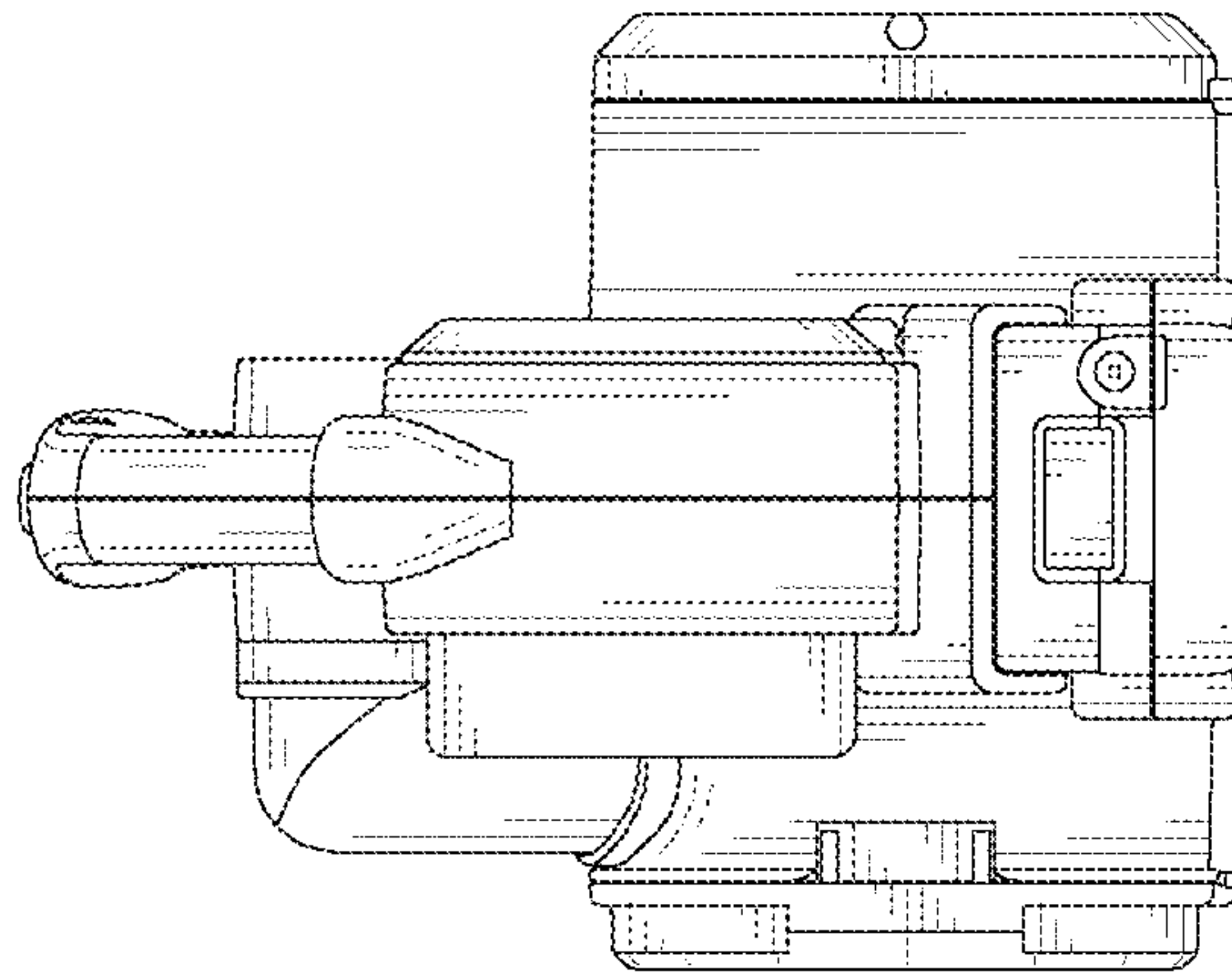


FIG. 5

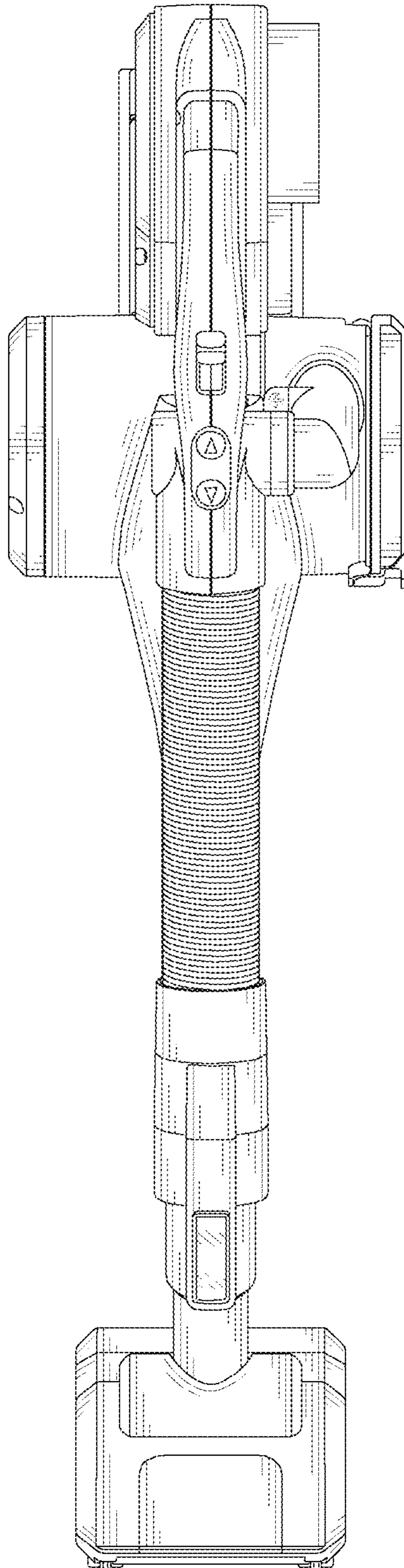


FIG. 6

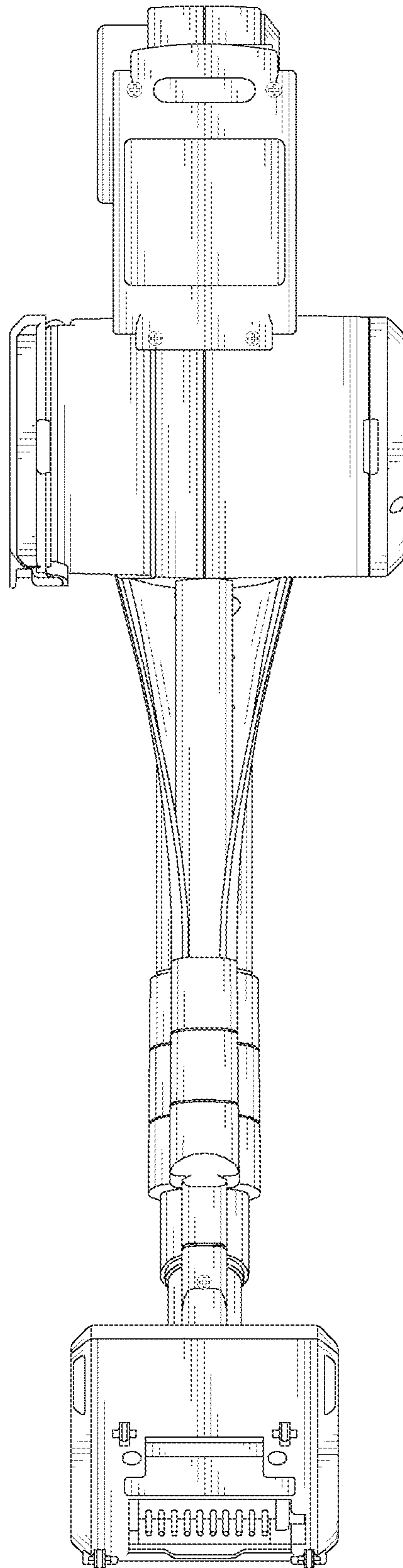


FIG. 7



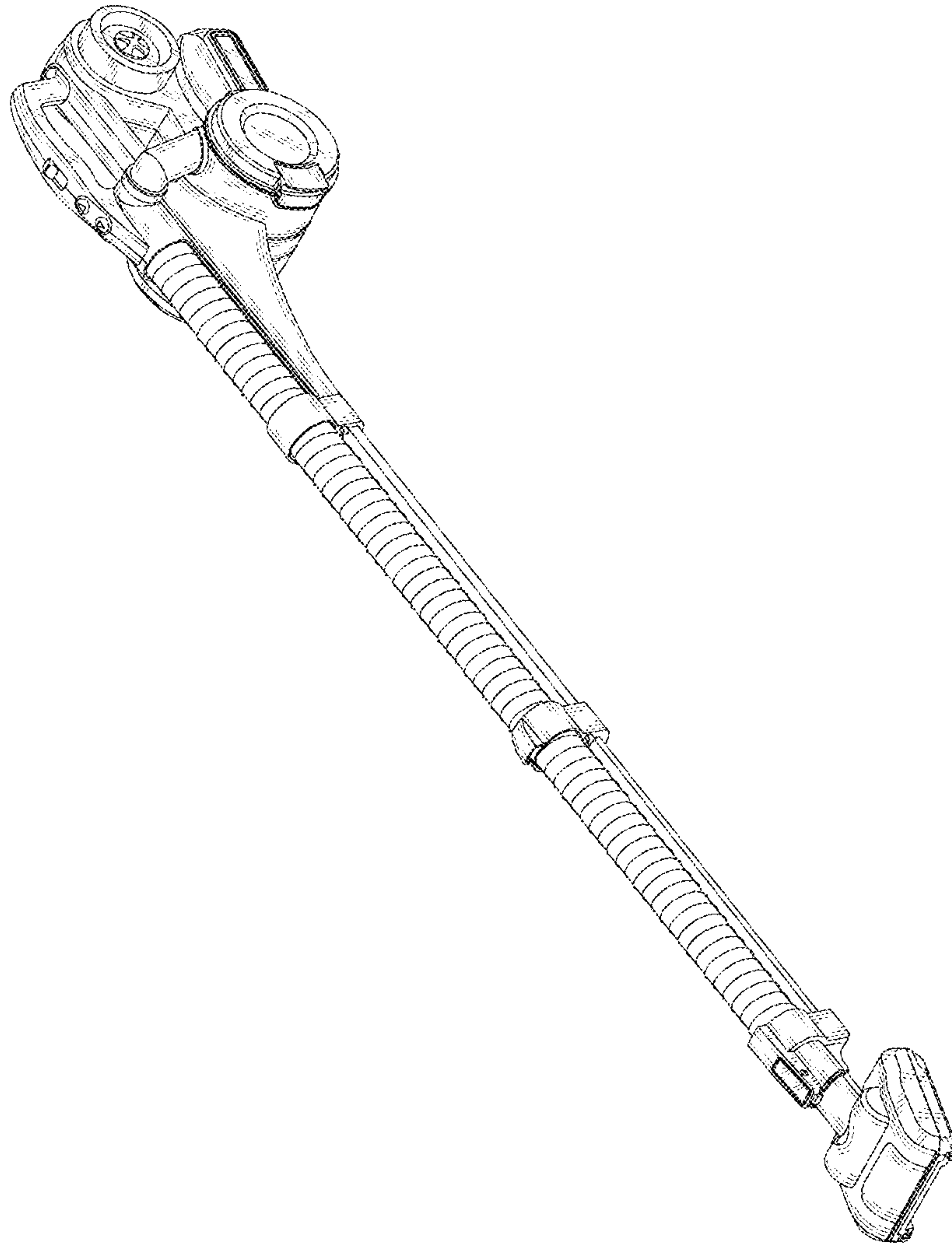


FIG. 8

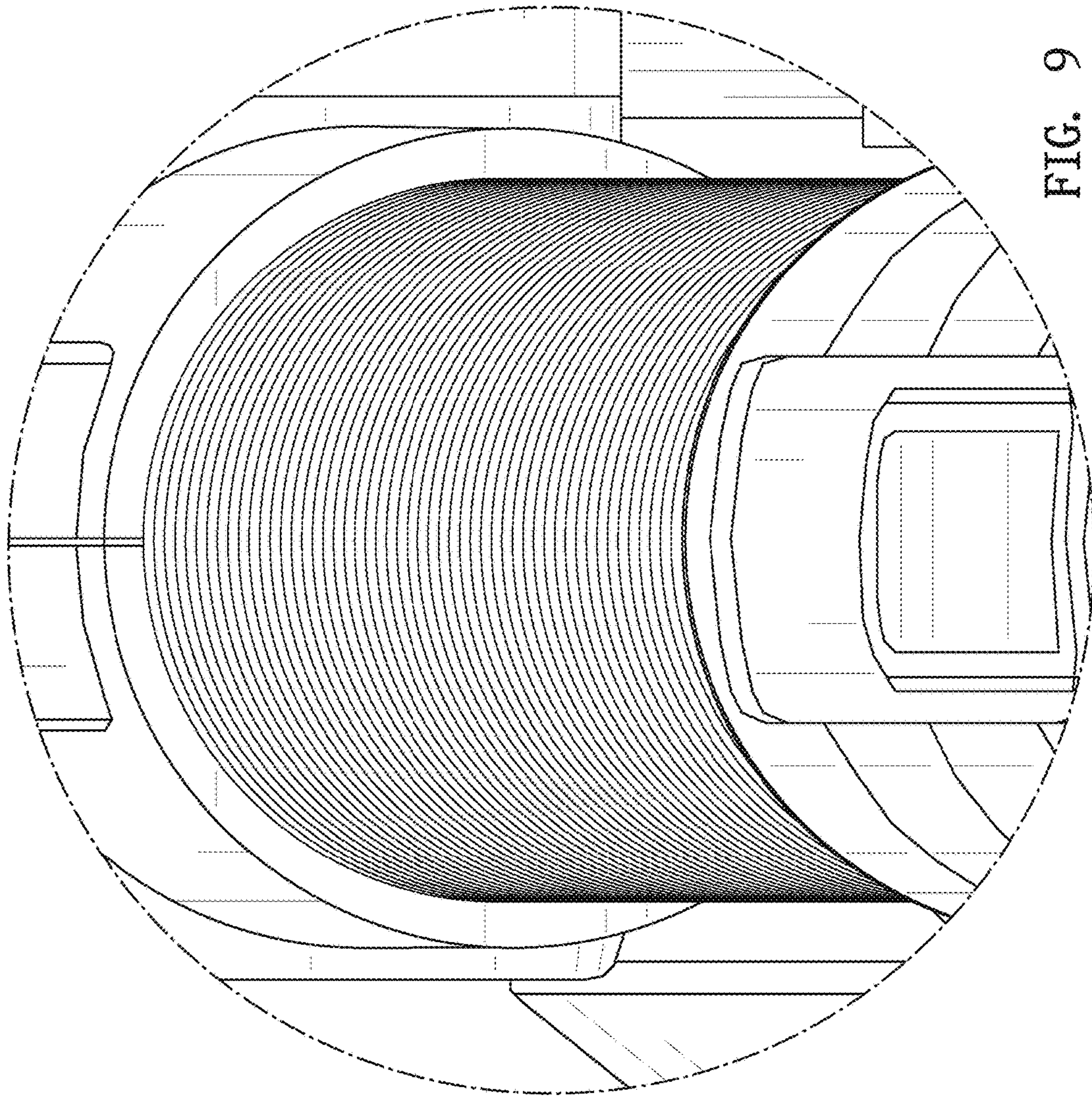


FIG. 9