



US00D867694S

(12) **United States Design Patent** (10) **Patent No.:** **US D867,694 S**  
**Ma** (45) **Date of Patent:** **\*\* Nov. 19, 2019**

(54) **HAND-HELD VACUUM CLEANER**

(56) **References Cited**

(71) Applicants: **Suzhou KVC Electric Co., Ltd,**  
Jiangsu (CN); **MPOW**  
**TECHNOLOGY CO., LIMITED,**  
Hong Kong (HK)

U.S. PATENT DOCUMENTS

D297,377 S	*	8/1988	Chui	.....	D32/18
D306,505 S	*	3/1990	Bradd	.....	D32/18
D448,894 S	*	10/2001	Yuen	.....	D32/18
D720,102 S	*	12/2014	Gu	.....	D32/18
D844,266 S	*	3/2019	Wang	.....	D32/18

(72) Inventor: **Quannan Ma,** Jiangsu (CN)

\* cited by examiner

(73) Assignees: **Suzhou KVC Electric Co., Ltd,**  
Jiangsu (CN); **MPOW**  
**TECHNOLOGY CO., LIMITED,**  
Hong Kong (HK)

*Primary Examiner* — Ruth McInroy

(74) *Attorney, Agent, or Firm* — JCIPRNET

(\*\*) Term: **15 Years**

(57) **CLAIM**

The ornamental design for a hand-held vacuum cleaner, as shown and described.

(21) Appl. No.: **29/633,551**

**DESCRIPTION**

(22) Filed: **Jan. 15, 2018**

(51) **LOC (12) Cl.** ..... **15-05**

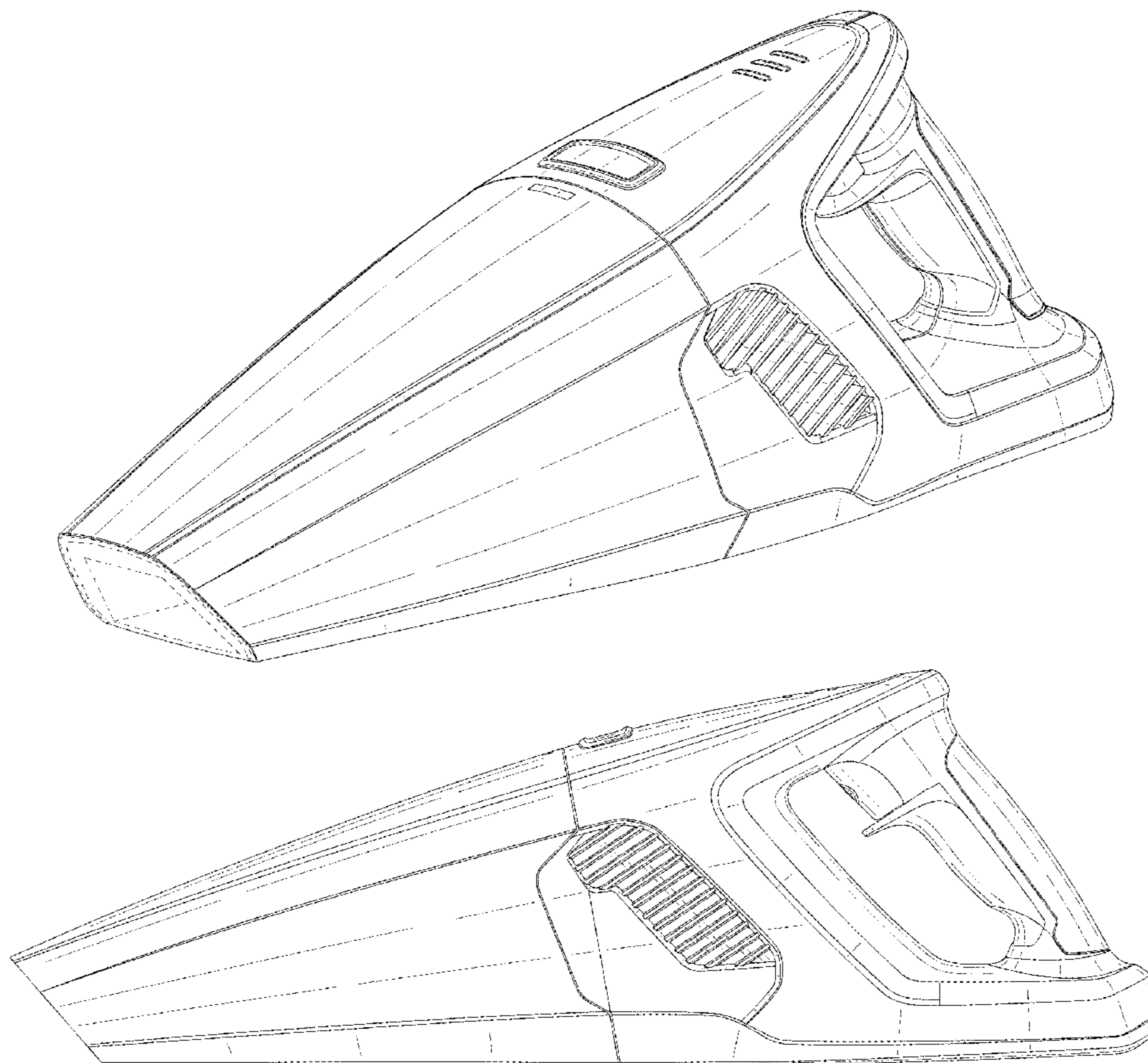
(52) **U.S. Cl.**  
USPC ..... **D32/18**

(58) **Field of Classification Search**  
USPC ..... D32/17, 18, 22, 31  
CPC ... A47L 5/24; A47L 5/362; A47L 5/36; A47L  
5/28; A47L 9/102; A47L 9/1683; B01D  
50/002

FIG. 1 is a perspective view of a hand-held vacuum cleaner showing my new design;  
FIG. 2 is another perspective view thereof;  
FIG. 3 is a front view thereof;  
FIG. 4 is a rear view thereof;  
FIG. 5 is a left side view thereof;  
FIG. 6 is a right side view thereof;  
FIG. 7 is a top view thereof; and,  
FIG. 8 is a bottom view thereof.  
The details shown in broken lines form no part of the claimed design.

See application file for complete search history.

**1 Claim, 7 Drawing Sheets**



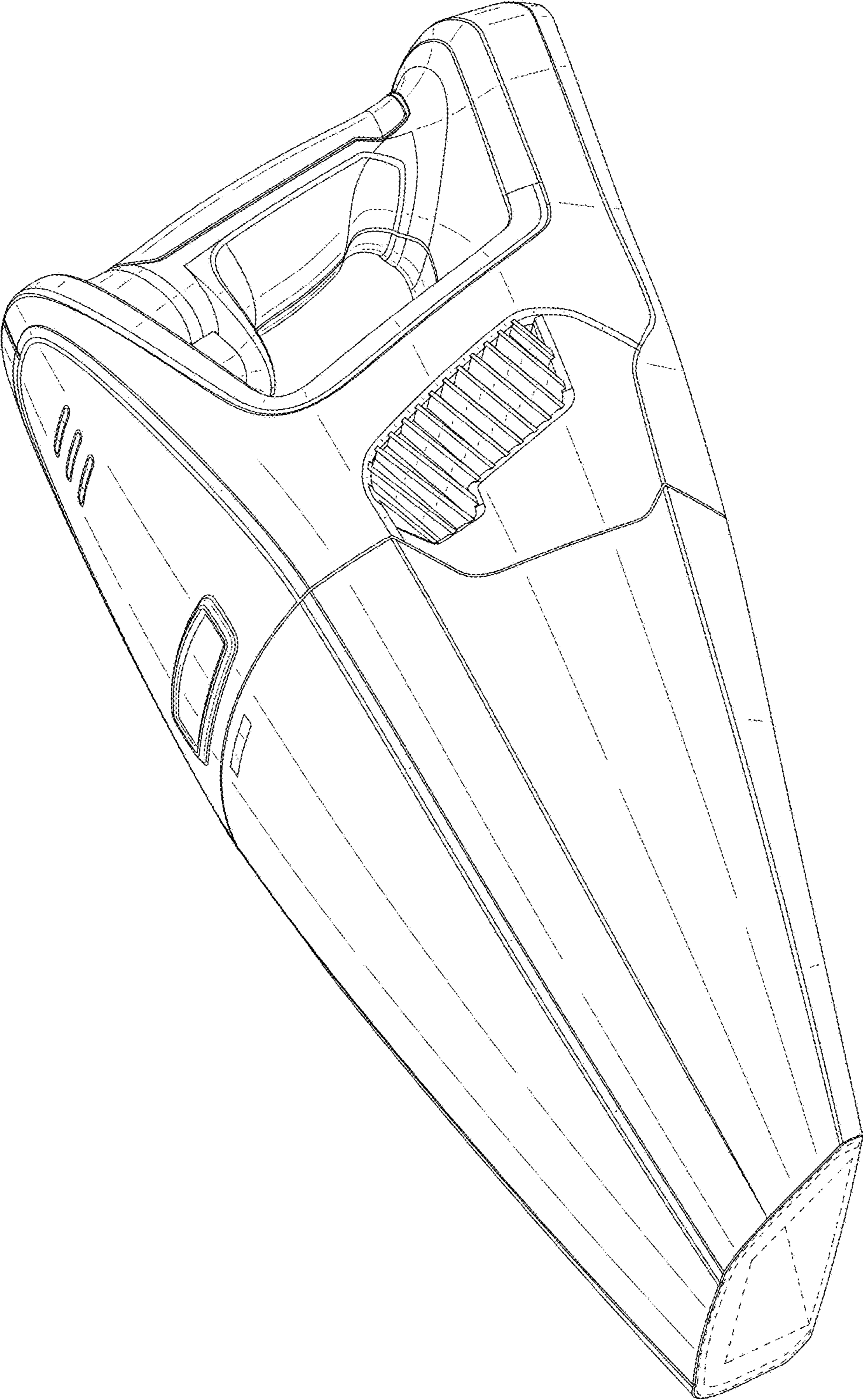


FIG. 1

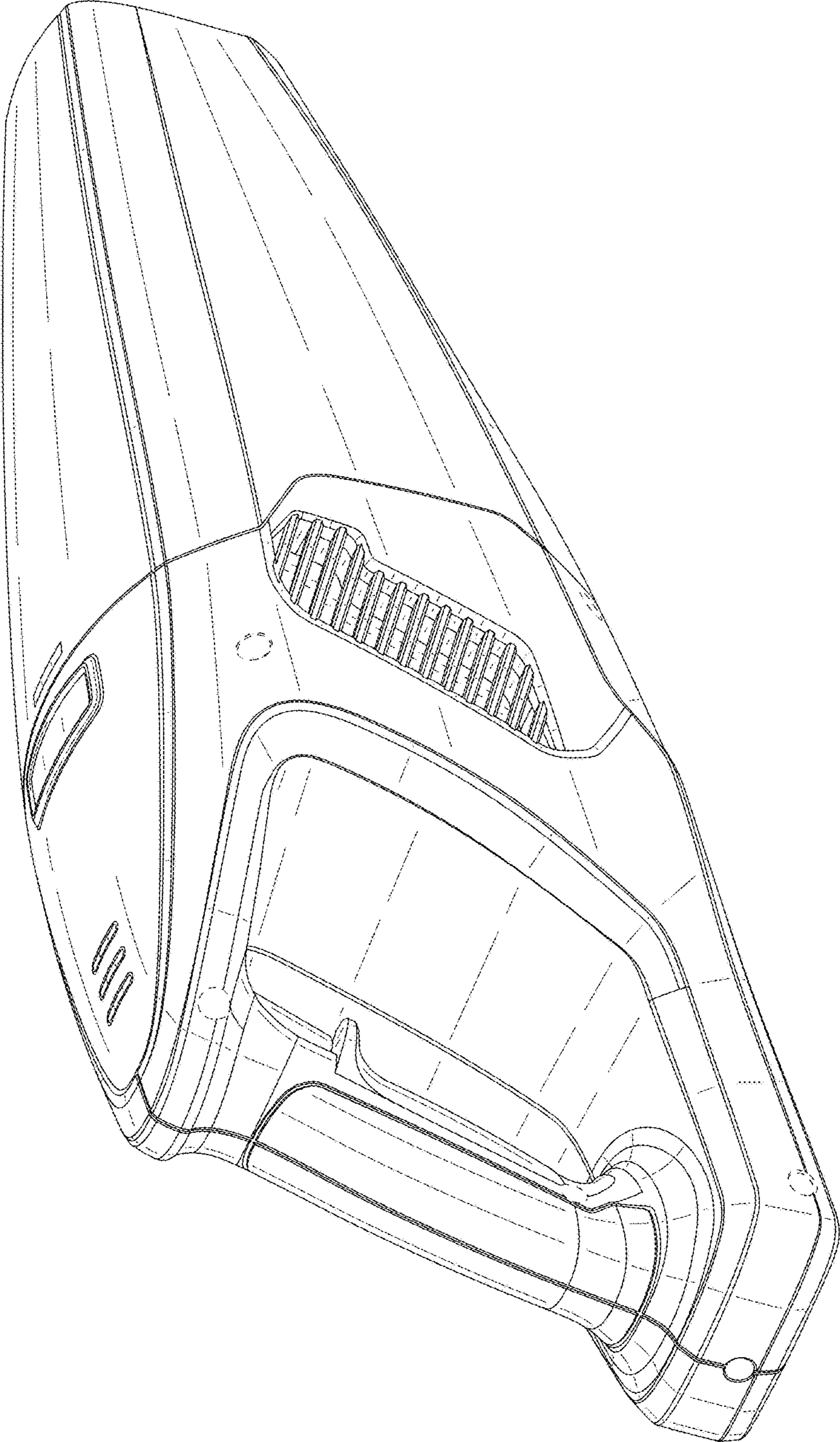


FIG. 2

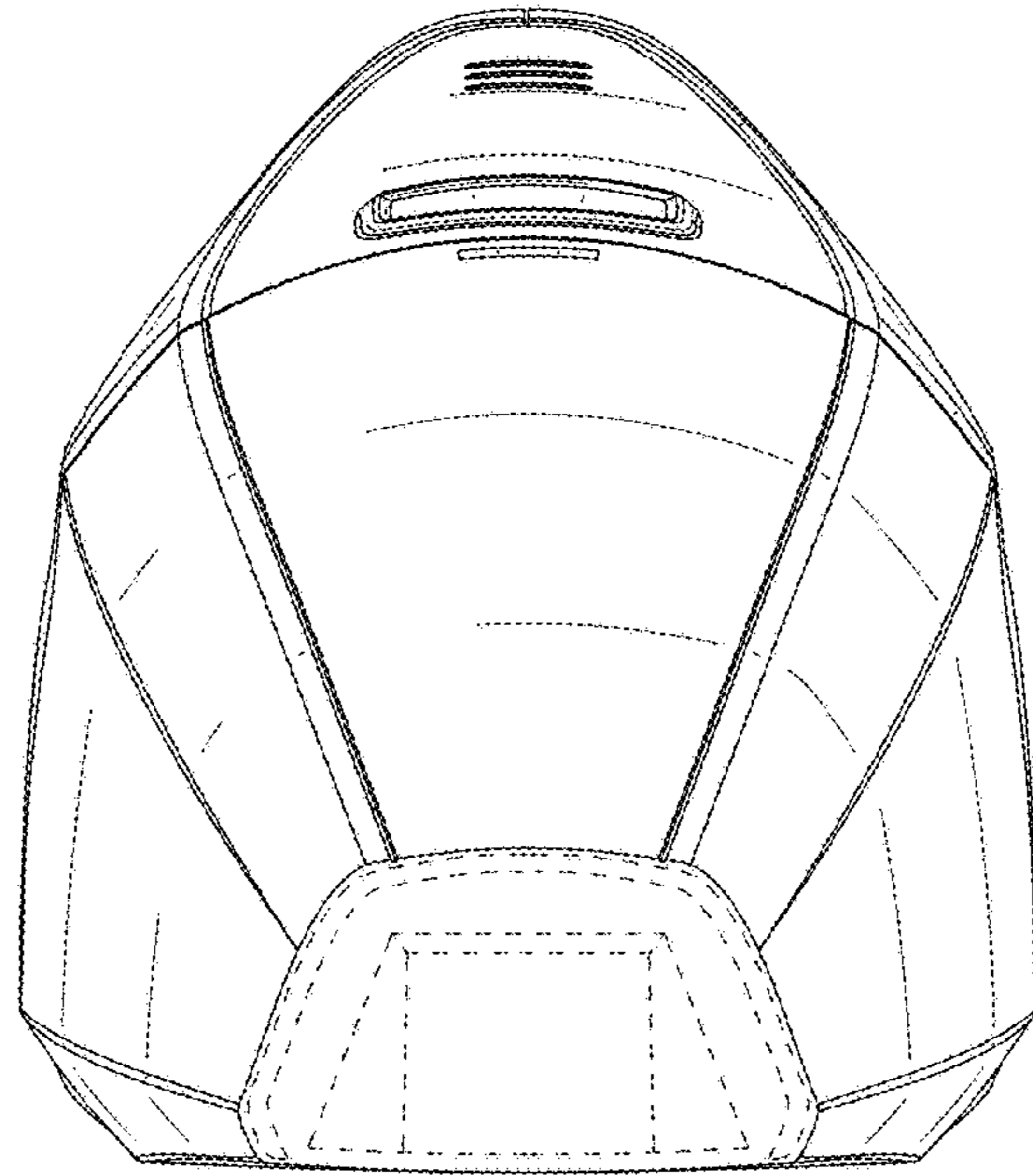


FIG. 3

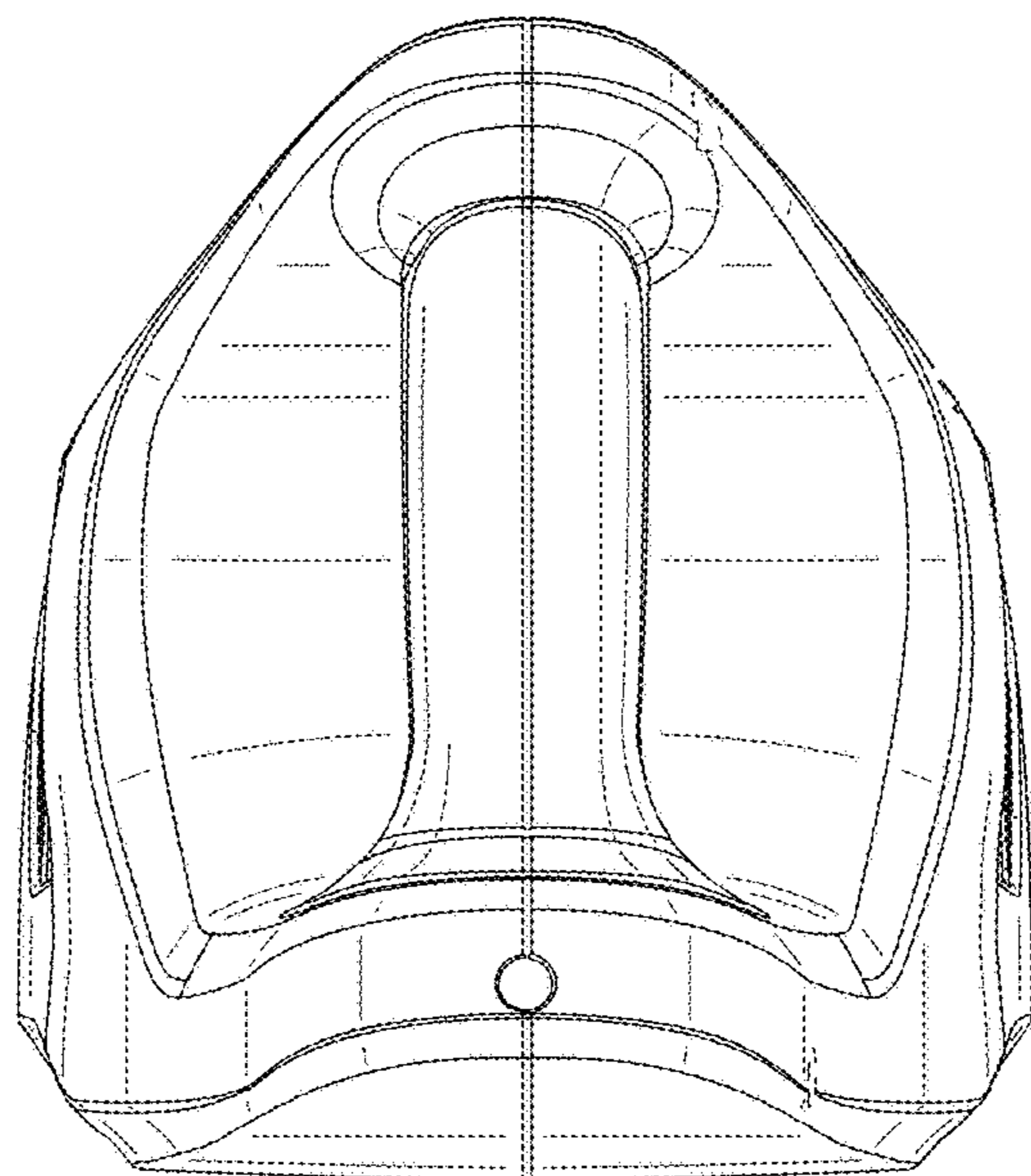


FIG. 4

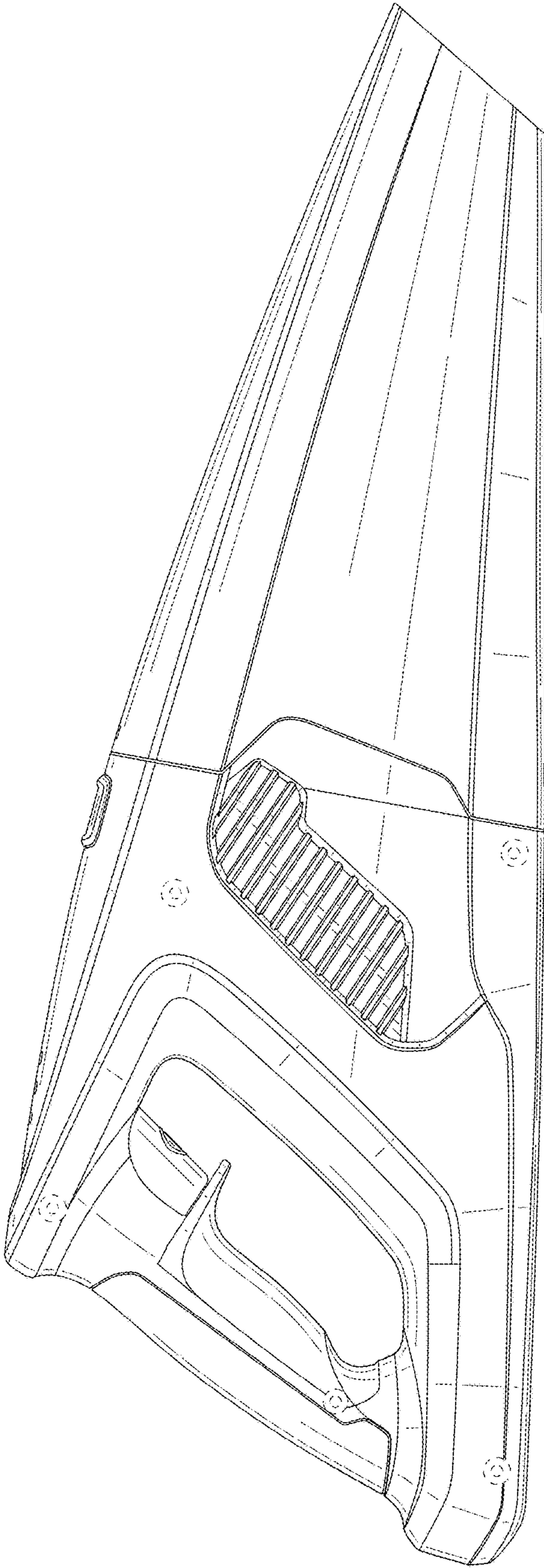


FIG. 5

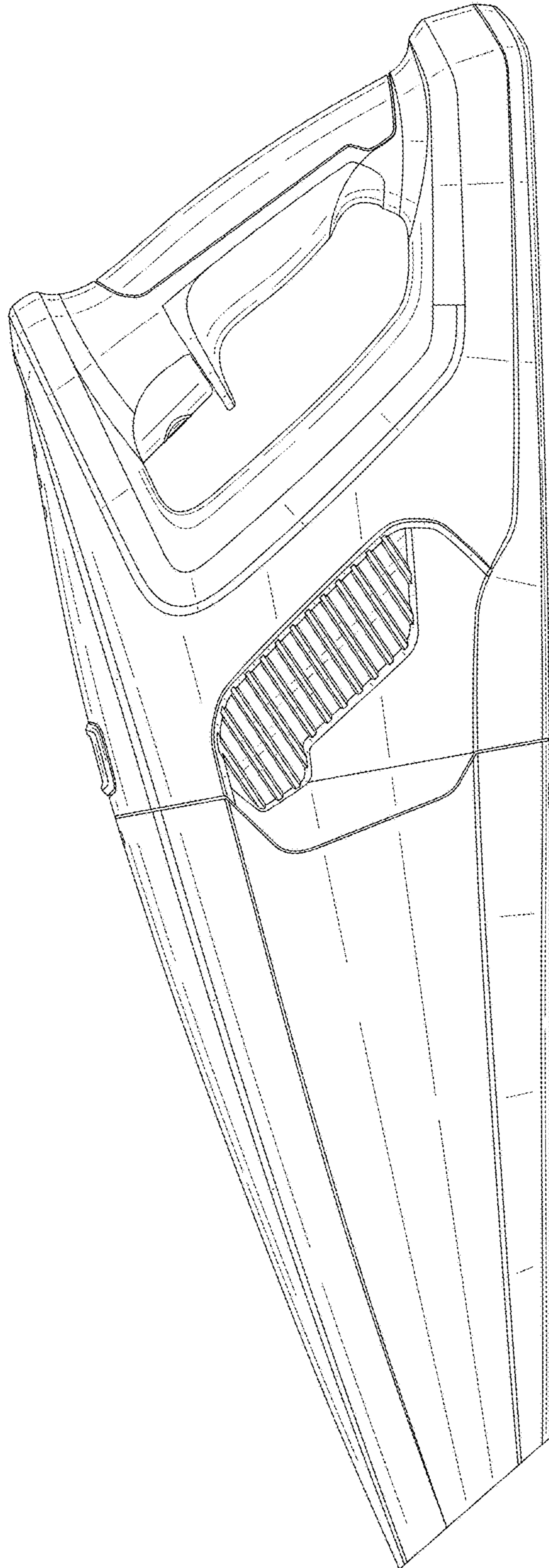


FIG. 6

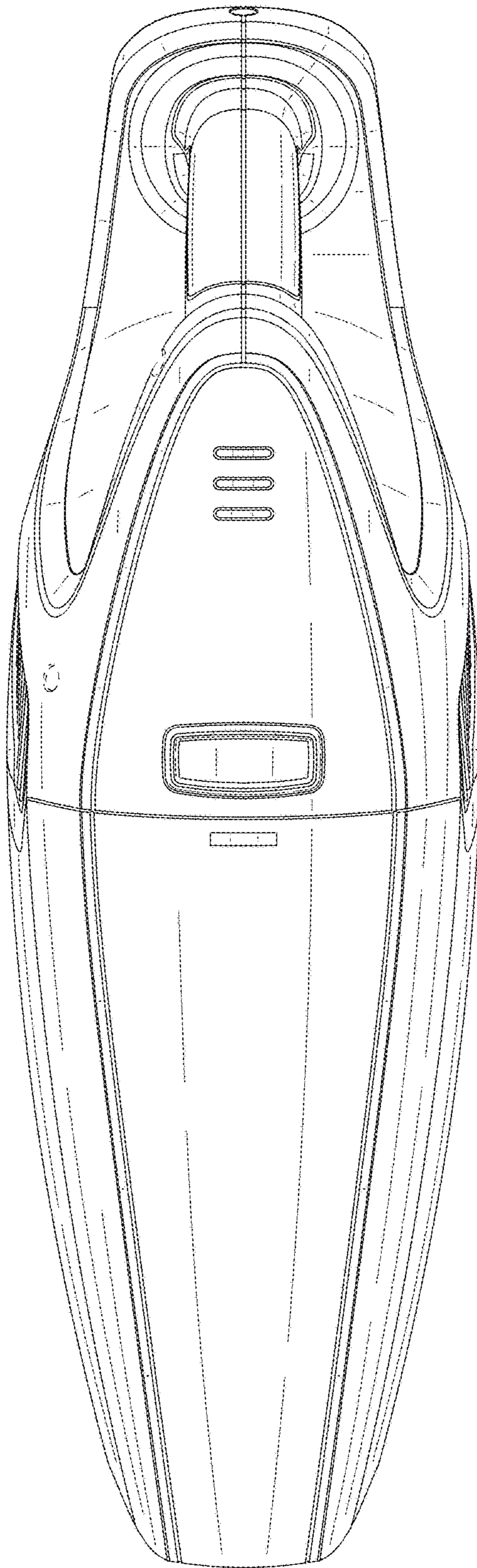


FIG. 7

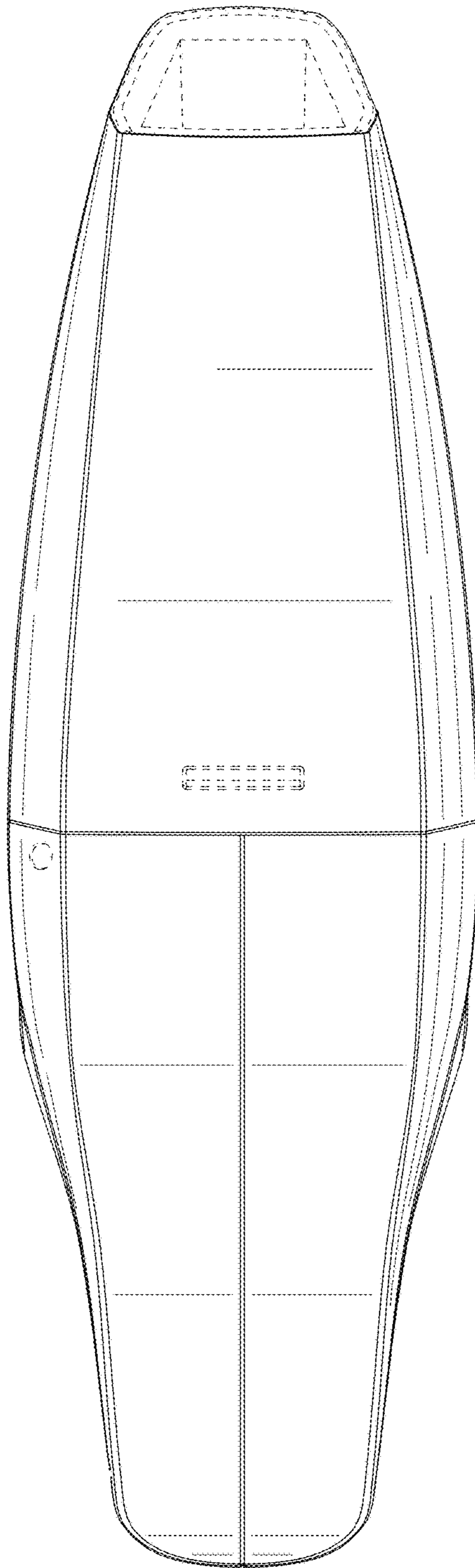


FIG. 8