

US00D867691S

(12) **United States Design Patent**
Lee et al.

(10) **Patent No.:** **US D867,691 S**
(45) **Date of Patent:** **** Nov. 19, 2019**

(54) **WASHING MACHINE**

(71) Applicant: **Samsung Electronics Co., Ltd.**,
Suwon-si (KR)

(72) Inventors: **Dae-Kyun Lee**, Suwon-si (KR);
Hwa-Yong Shin, Anyang-si (KR)

(73) Assignee: **Samsung Electronics Co., Ltd.**,
Suwon-si (KR)

(**) Term: **15 Years**

(21) Appl. No.: **29/628,265**

(22) Filed: **Dec. 4, 2017**

(30) **Foreign Application Priority Data**

Jun. 2, 2017	(KR)	30-2017-0025202
Jun. 2, 2017	(KR)	30-2017-0025204
Jun. 2, 2017	(KR)	30-2017-0025207
Jun. 2, 2017	(KR)	30-2017-0025217
Jun. 2, 2017	(KR)	30-2017-0025218

(51) **LOC (12) Cl.** **15-05**

(52) **U.S. Cl.**
USPC **D32/6; D32/1**

(58) **Field of Classification Search**
USPC D32/1, 6, 8, 25, 28, 29
CPC D06F 29/00; D06F 33/02; D06F 2204/082;
D06F 39/005; D06F 37/14; D06F 37/36;
D06F 23/04
See application file for complete search history.

(56) **References Cited**

U.S. PATENT DOCUMENTS

D653,006 S *	1/2012	Takahashi	D32/6
D665,543 S *	8/2012	Kim	D32/6

(Continued)

FOREIGN PATENT DOCUMENTS

CN	303988204	*	12/2016
CN	303793433	*	8/2019

OTHER PUBLICATIONS

Flex Washer posted by Samsung posted date Nov. 23, 2015, © Amazon, [online], [site visited Jul. 7, 2019]. Available from Internet, <https://www.amazon.com/Samsung-Black-Stainless-FlexWash-Washer> (Year: 2015).*

(Continued)

Primary Examiner — Cynthia Ramirez

Assistant Examiner — Laura H Yu

(74) *Attorney, Agent, or Firm* — NSIP Law

(57) **CLAIM**

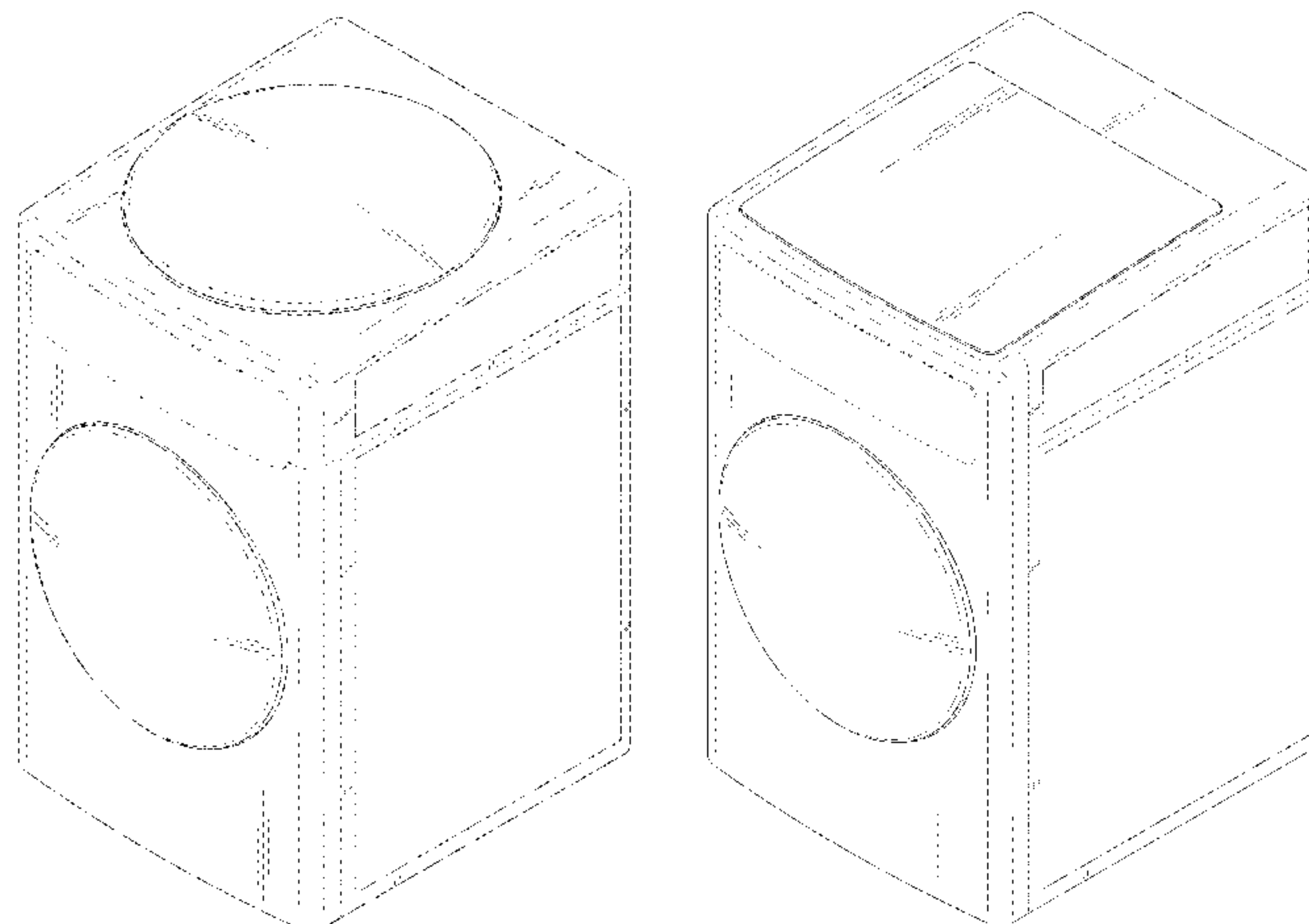
We claim the ornamental design for a washing machine, as shown and described.

DESCRIPTION

FIG. 1 is a front perspective view of a washing machine showing our new design;
 FIG. 2 is a front elevational view thereof;
 FIG. 3 is a rear elevational view thereof;
 FIG. 4 is a left-side elevational view thereof;
 FIG. 5 is a right-side elevational view thereof;
 FIG. 6 is a top plan view thereof;
 FIG. 7 is a bottom plan view thereof;
 FIG. 8 is a front perspective view of a second embodiment thereof;
 FIG. 9 is a front elevational view thereof;
 FIG. 10 is a rear elevational view thereof;
 FIG. 11 is a left-side elevational view thereof;
 FIG. 12 is a right-side elevational view thereof;
 FIG. 13 is a top plan view thereof; and
 FIG. 14 is a bottom plan view thereof.

The evenly spaced broken lines illustrating portions of the washing machine are for environmental purposes only and form no part of the claimed design.
 The uneven dot-dash broken lines in the figures represent a boundary line and form no part of the claimed design.

1 Claim, 14 Drawing Sheets



(56)

References Cited

U.S. PATENT DOCUMENTS

D680,281	S	*	4/2013	Qin	D32/6
D697,678	S	*	1/2014	Jeon	D32/6
D735,424	S	*	7/2015	Ha	D32/6
D739,095	S	*	9/2015	Shu	D32/6
D739,098	S	*	9/2015	Qin	D32/6
D749,804	S	*	2/2016	Ha	D32/6
D764,123	S	*	8/2016	Kim	D32/6
D773,757	S	*	12/2016	Hwang	D32/6
D774,716	S	*	12/2016	Kim	D32/6
D781,005	S	*	3/2017	Jang	D32/6
D785,876	S	*	5/2017	Cho	D32/6
D801,600	S	*	10/2017	Kim	D32/2
D801,602	S	*	10/2017	Im	D32/6
D824,123	S	*	7/2018	Yoon	D32/6
D825,867	S	*	8/2018	Yoon	D32/6
D826,489	S	*	8/2018	Yoon	D32/6
D835,865	S	*	12/2018	Lee	D32/6
D839,504	S	*	1/2019	Ha	D32/6
D839,506	S	*	1/2019	Ha	D32/6
D848,092	S	*	5/2019	Yoon	D32/6
D850,735	S	*	6/2019	Yoon	D32/6
D851,845	S	*	6/2019	Son	D32/6

OTHER PUBLICATIONS

Steam Dryer posted by Samsung posted date Jul. 11, 2017, © Amazon, [online], [site visited Jul. 7, 2019]. Available from Internet, <https://www.amazon.com/Samsung-Platinum-Electric-Steam-Dryer> (Year: 2017).*

* cited by examiner

FIG. 1

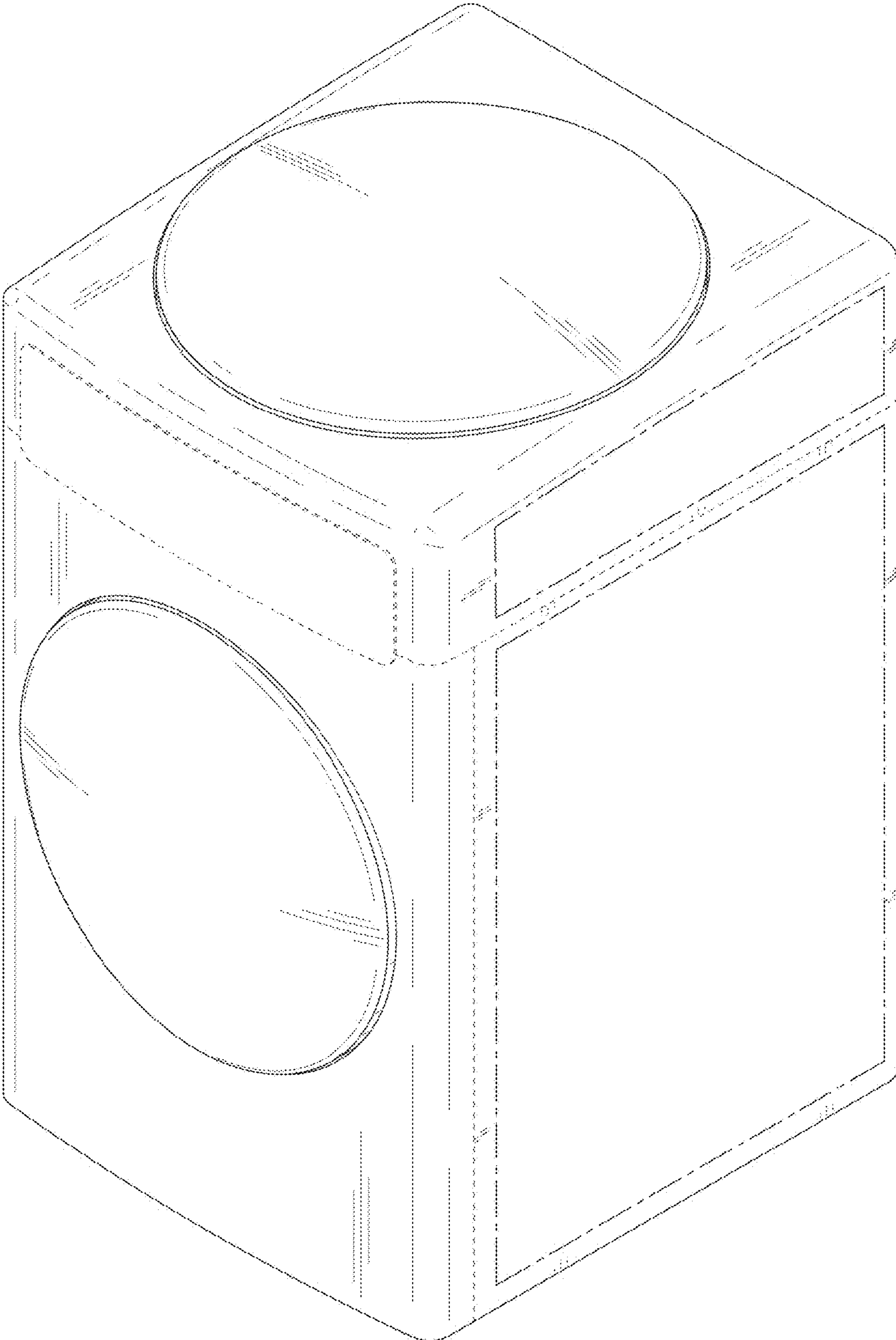


FIG. 2

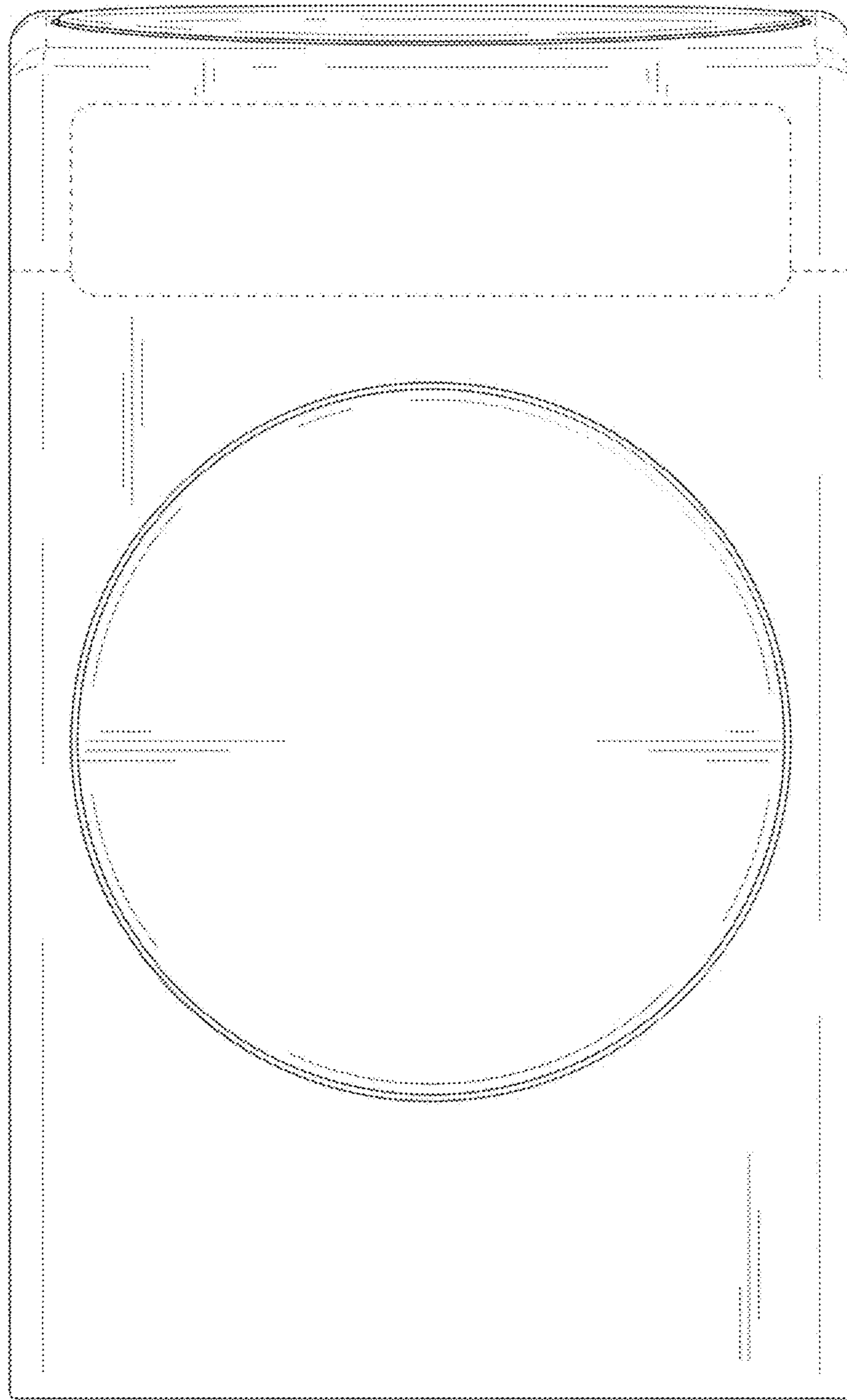


FIG. 3

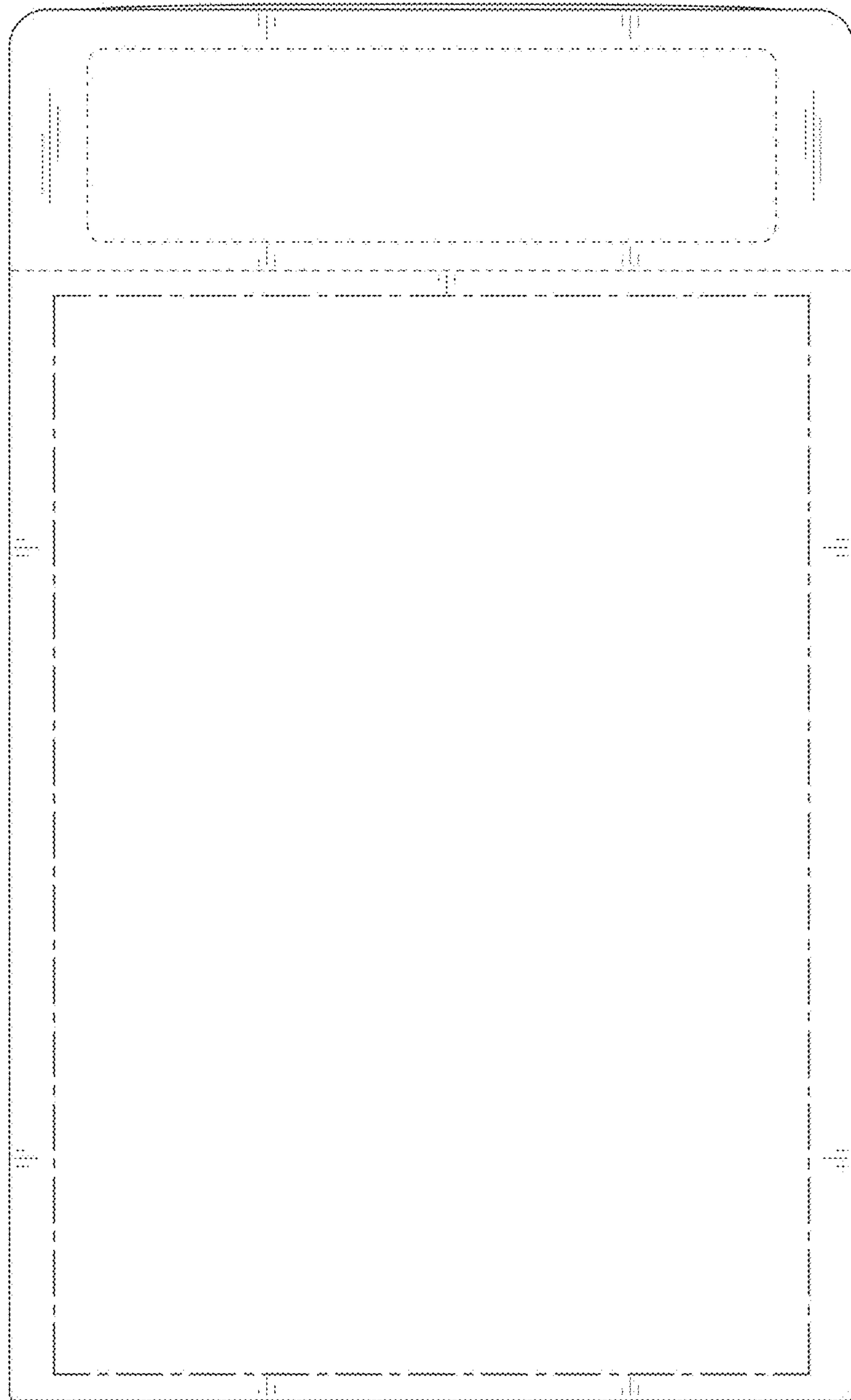


FIG. 4

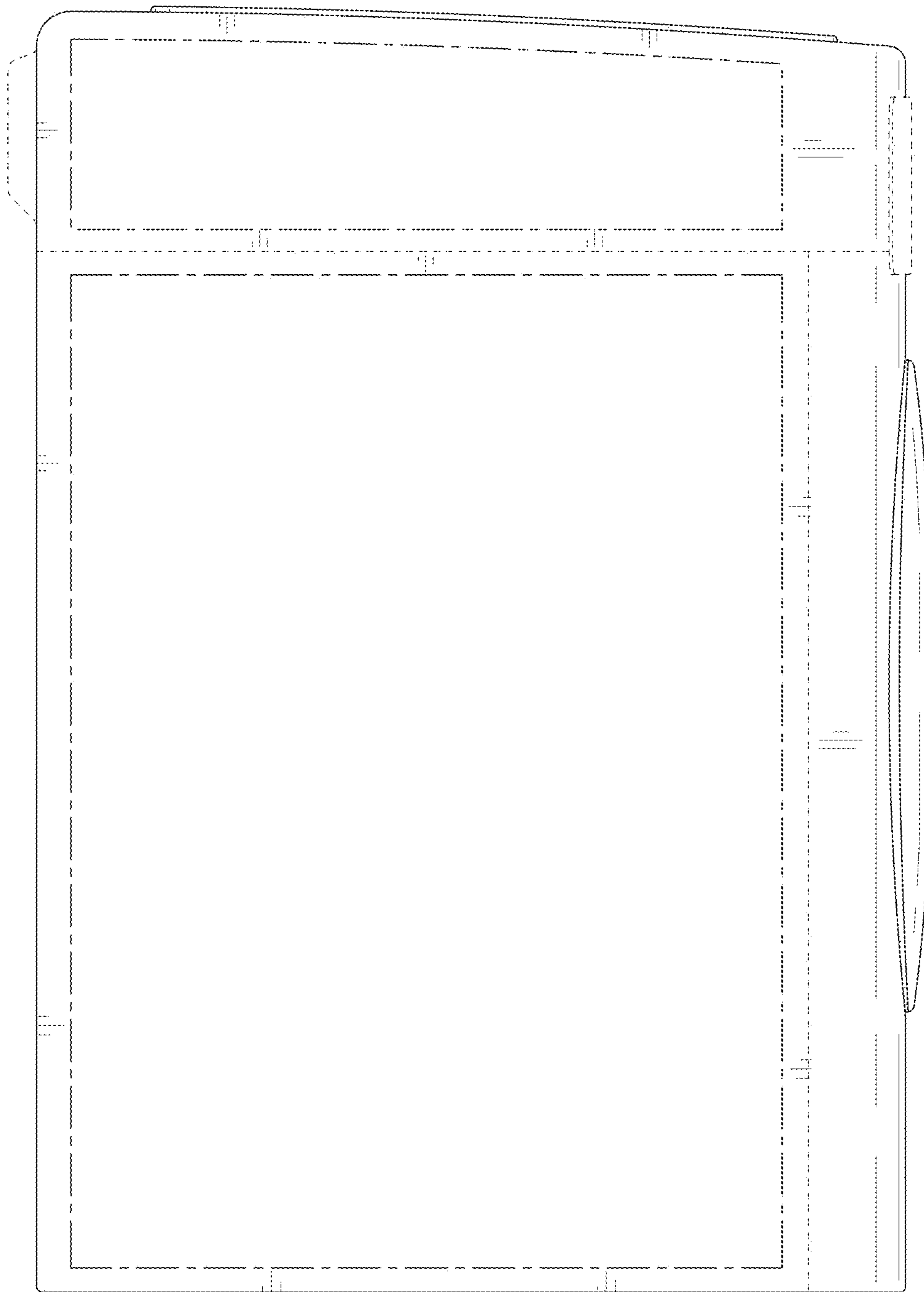


FIG. 5

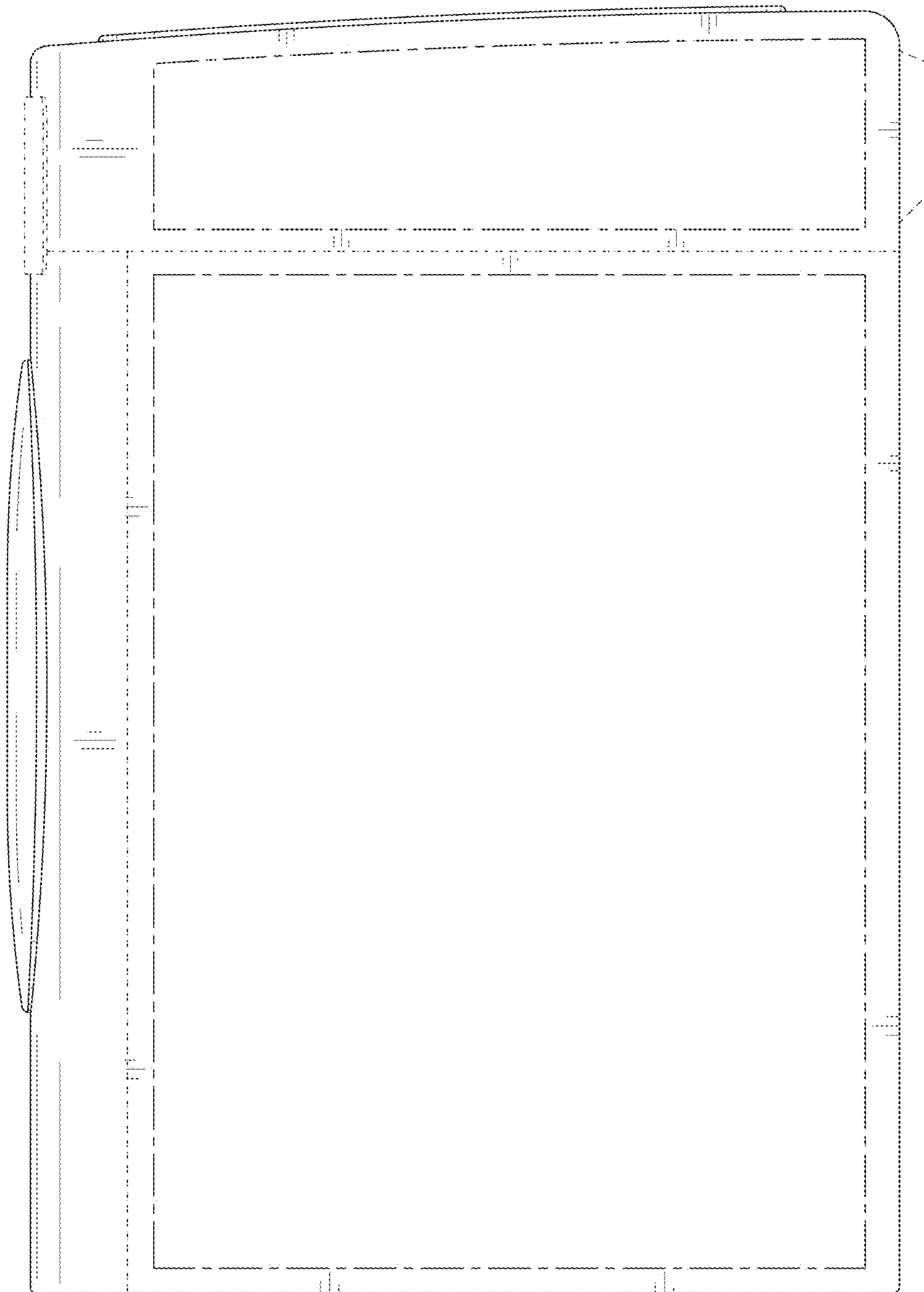


FIG. 6

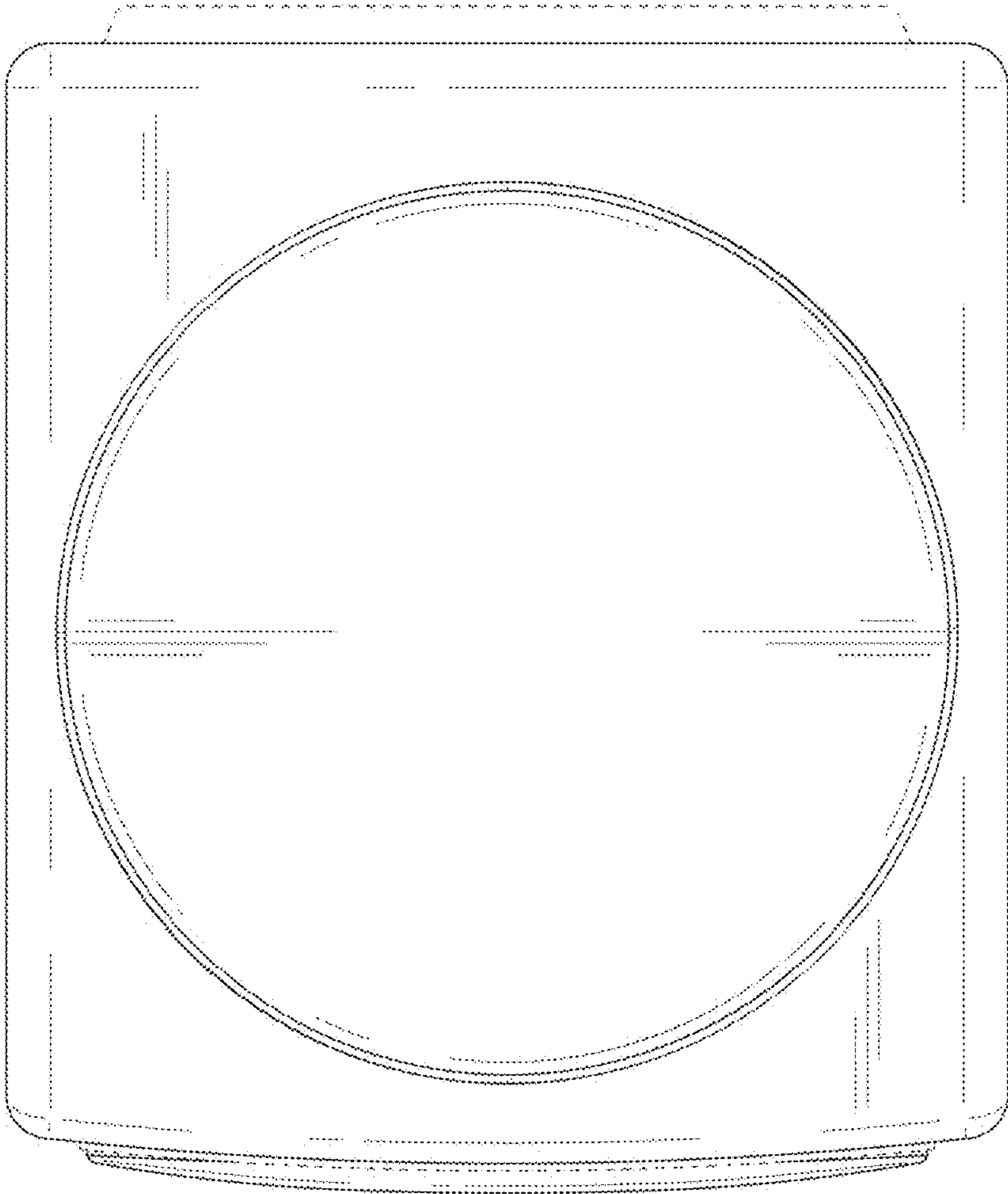


FIG. 7

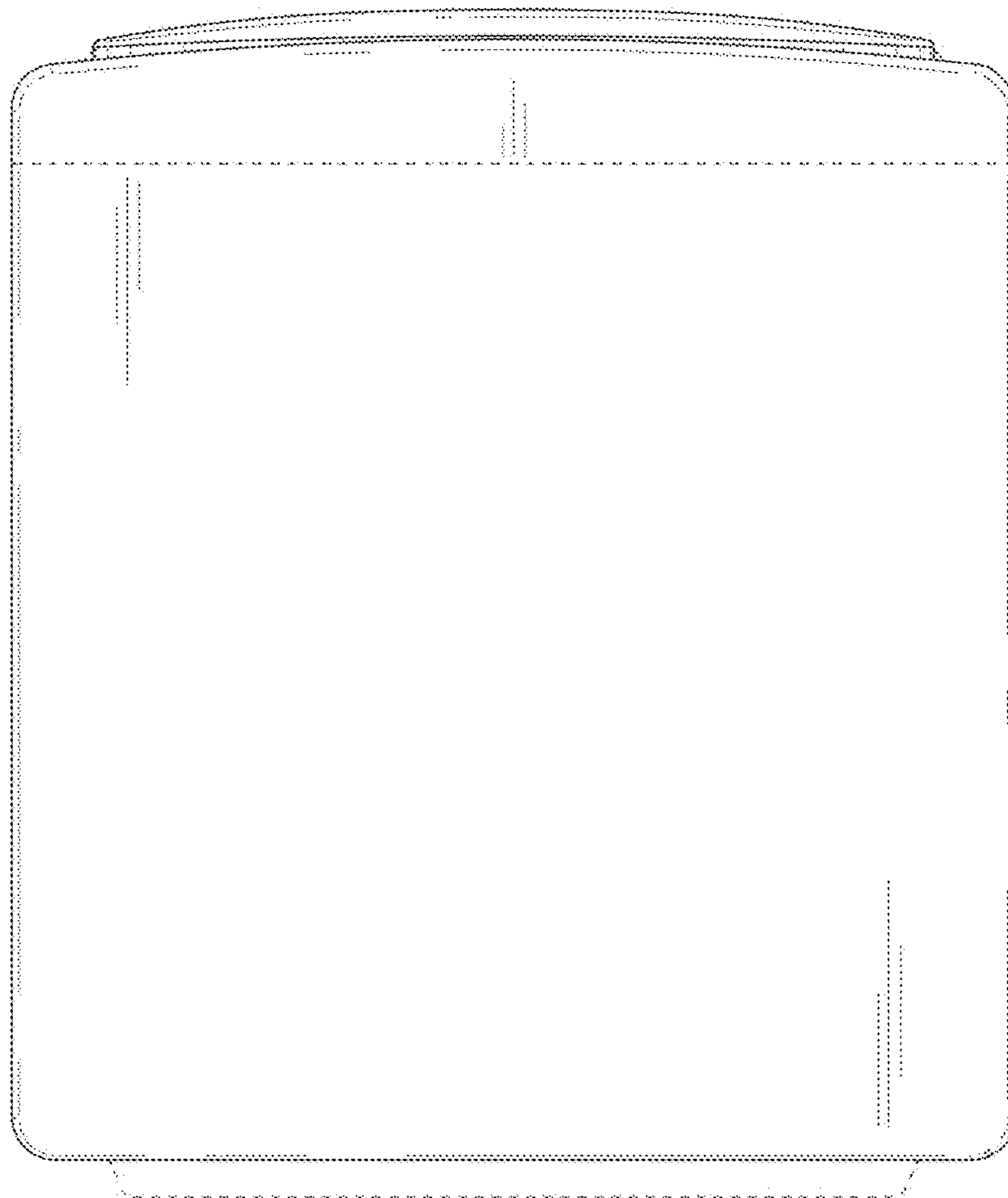


FIG. 8

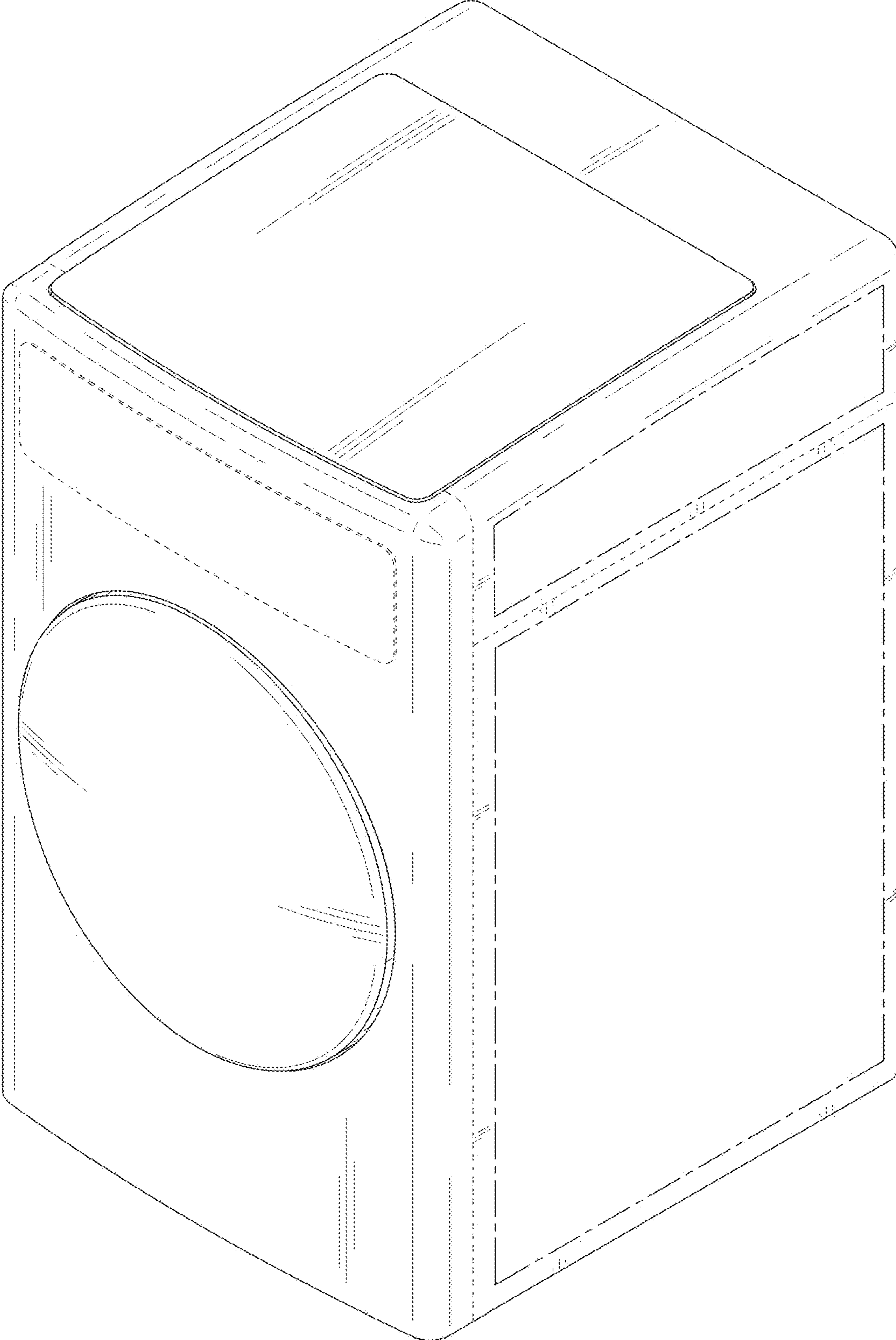


FIG. 9

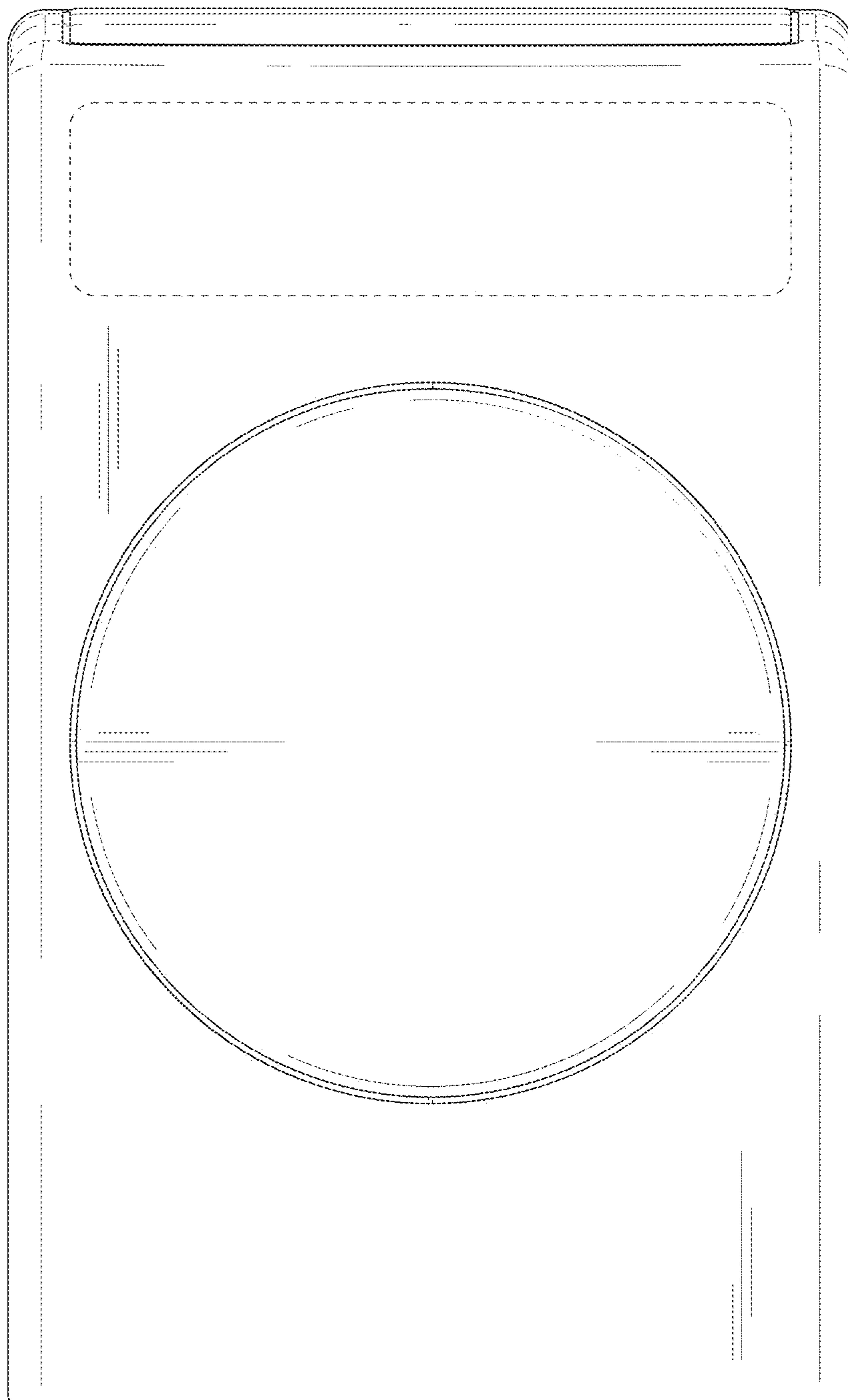


FIG. 10

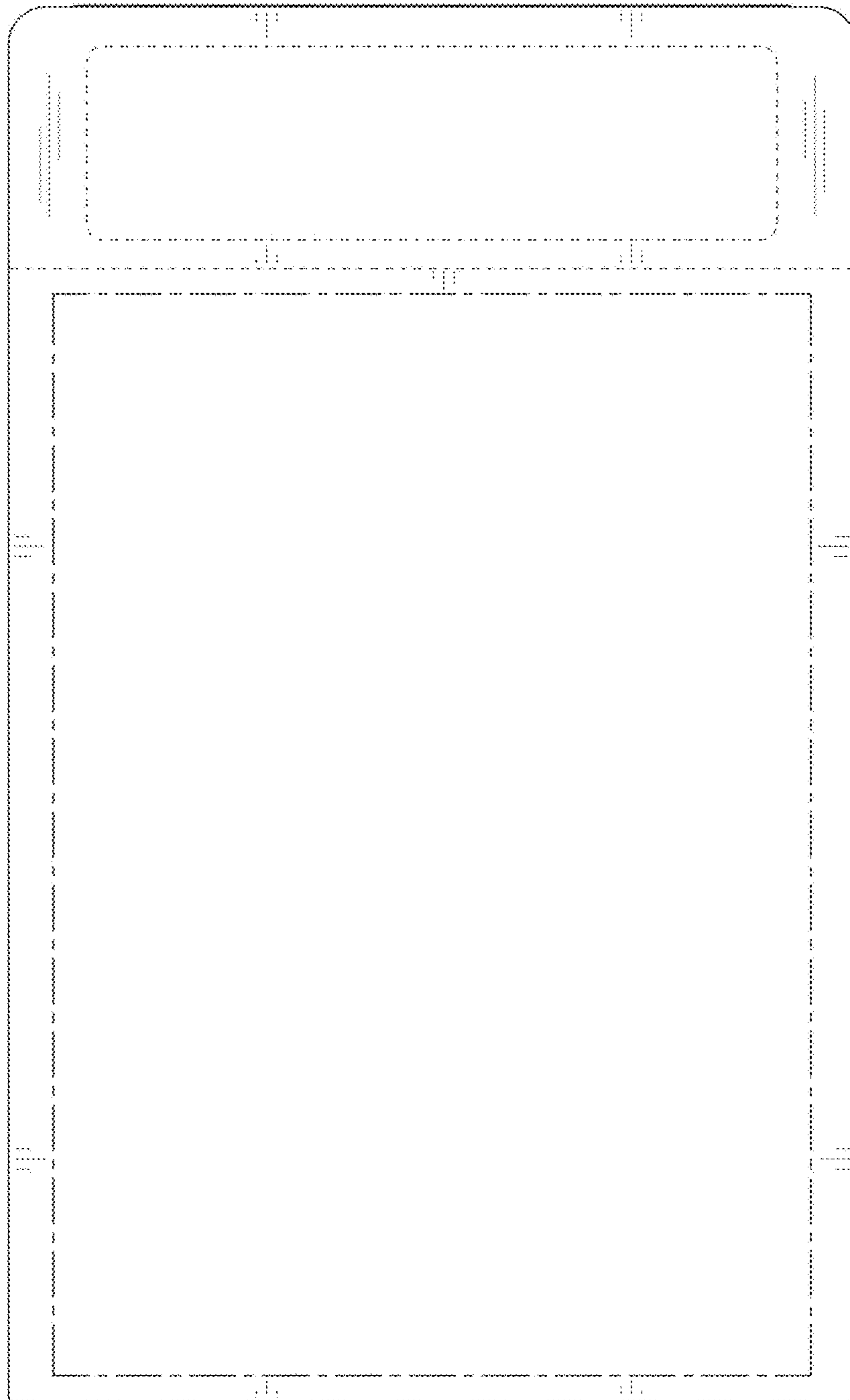


FIG. 11

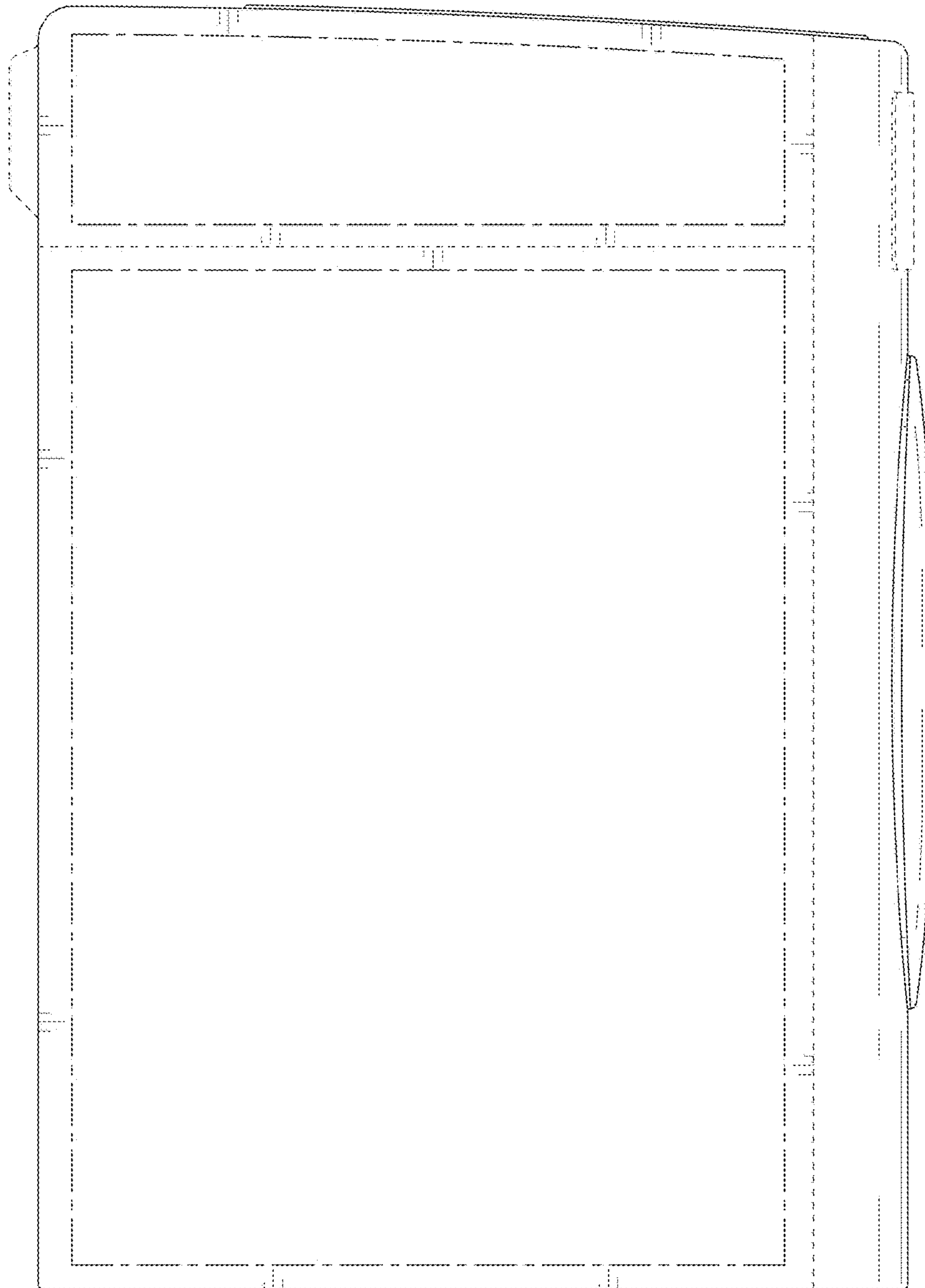


FIG. 12

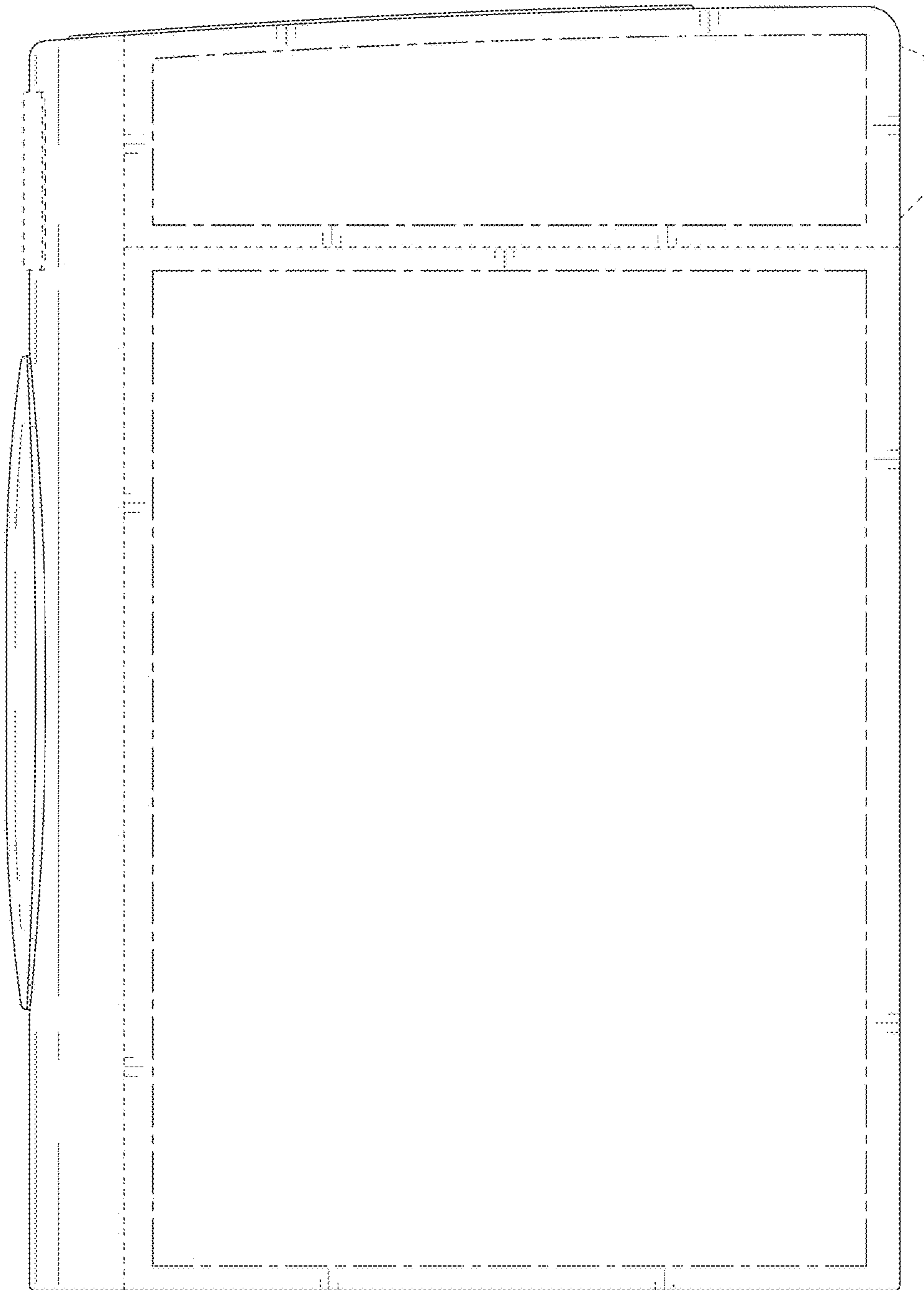


FIG. 13

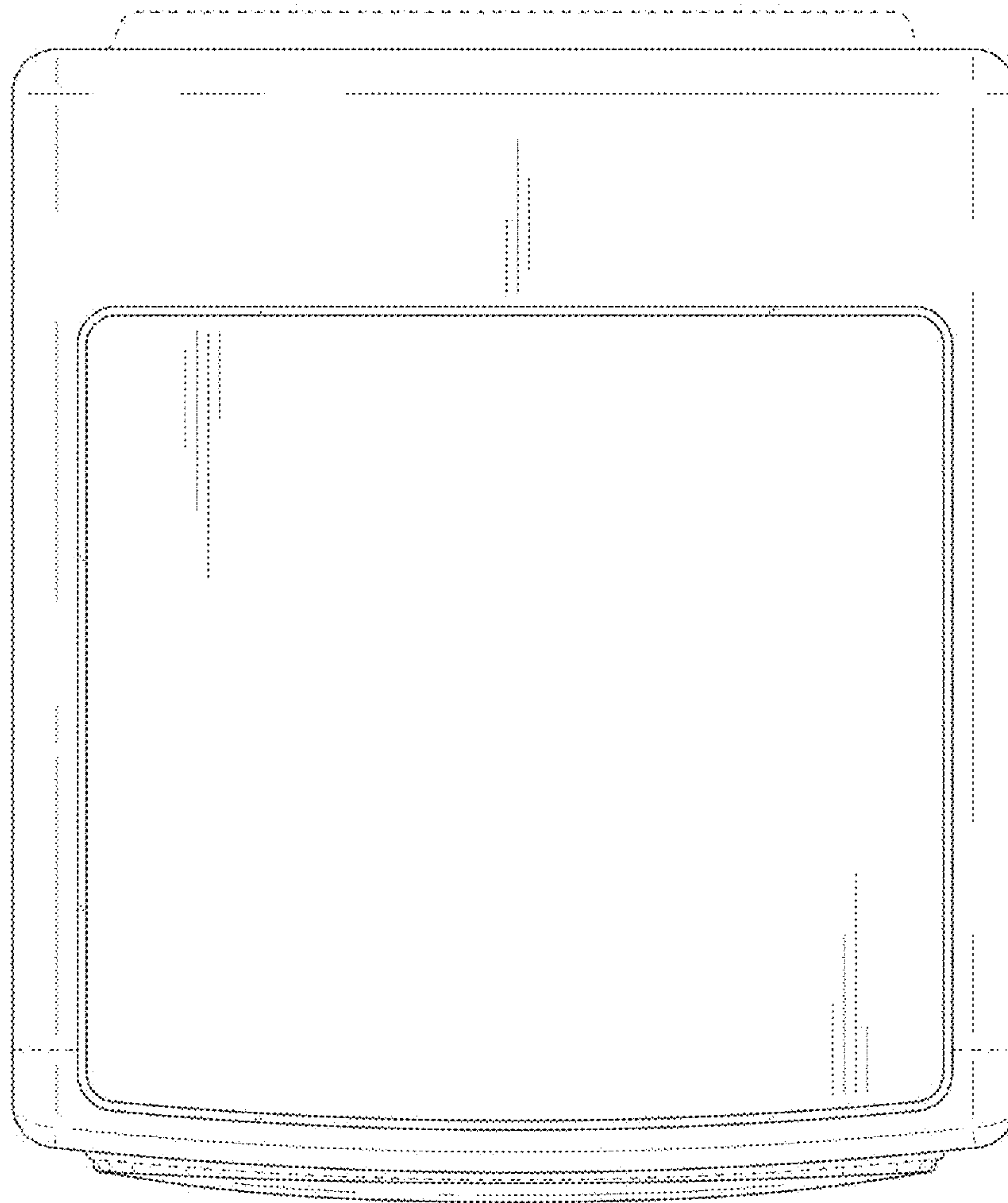


FIG. 14

