



US00D867689S

(12) **United States Design Patent** (10) **Patent No.:** **US D867,689 S**
Veness et al. (45) **Date of Patent:** **** Nov. 19, 2019**

(54) **LITTER PAN**

(71) Applicant: **Doskocil Manufacturing Company, Inc., Arlington, TX (US)**

(72) Inventors: **David Veness, Forth Worth, TX (US); Nicholas Baker, Fort Worth, TX (US)**

(73) Assignee: **DOSKOCIL MANUFACTURING COMPANY, INC., Arlington, TX (US)**

(**) Term: **15 Years**

(21) Appl. No.: **29/611,307**

(22) Filed: **Jul. 20, 2017**

(51) **LOC (12) Cl.** **30-99**

(52) **U.S. Cl.**

USPC **D30/161**

(58) **Field of Classification Search**

USPC D30/108-120, 161, 162, 199; D3/304, D3/314; 119/28.5, 161, 163, 165, 166, 119/167, 168, 169, 170, 452, 453, 482, 119/496, 498, 499, 702, 707; 206/203
CPC A01K 1/0353; A01K 1/011; A01K 1/0114; A01K 1/0107

See application file for complete search history.

(56) **References Cited**

U.S. PATENT DOCUMENTS

D317,261 S * 6/1991 Brown D9/782
D346,674 S * 5/1994 Berghash D24/176
D366,311 S * 1/1996 Bonnell D23/288
D444,921 S * 7/2001 Plante D30/108
6,561,130 B1 * 5/2003 Sage, Jr. A01K 1/0107
119/166
D533,971 S * 12/2006 Carter D30/108
D677,839 S * 3/2013 Goldsmith D30/108

D725,319 S * 3/2015 Olson D30/161
2003/0188690 A1 * 10/2003 Zabik A01K 1/0107
119/165
2006/0156994 A1 * 7/2006 Sage, Jr. A01K 1/0107
119/166

OTHER PUBLICATIONS

“Pet Planet Corner Kitty Litter Box”, posted Sep. 6, 2012, [online], retrieved on Aug. 30, 2018. Retrieved from Internet: https://www.petplanet.co.uk/product_review.asp?dept_id=776&pf_id=60694.
“IRIS Hooded Corner Kitty Litter Box”, posted Mar. 24, 2012, [online], retrieved on Aug. 30, 2018. Retrieved from Internet: https://www.amazon.com/IRIS-Large-Hooded-Corner-Litter/dp/B07C4V6CXM/ref=sr_1_fkmr1_1?ie=UTF8&qid=1535662240&sr=8-1-fkmr1&keywords=hooded+cozy+corner+cat+litter+box.

* cited by examiner

Primary Examiner — Sandra S Snapp

Assistant Examiner — Mehri F Bajoul

(74) *Attorney, Agent, or Firm* — Global IP Counselors, LLP

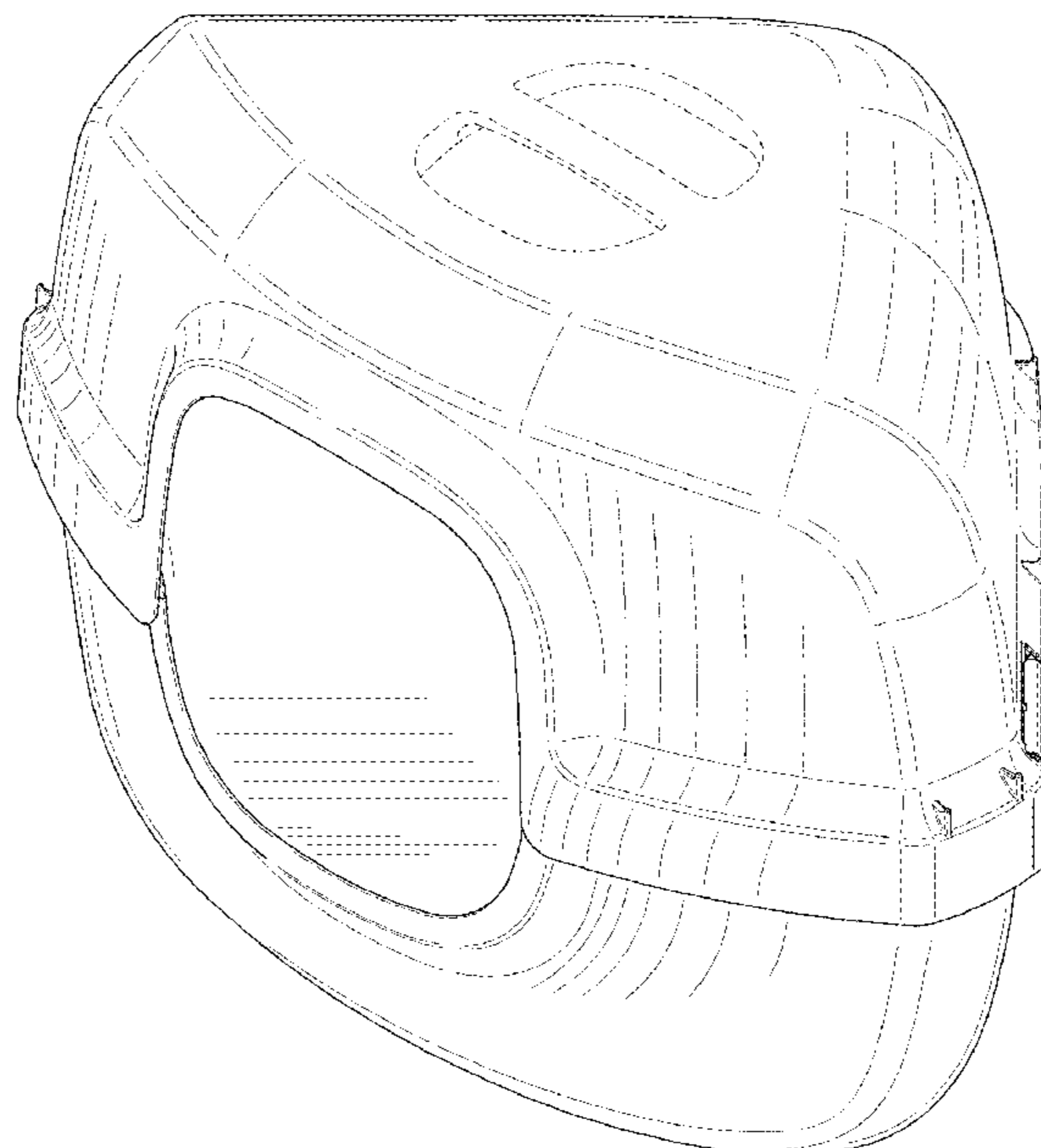
(57) **CLAIM**

The ornamental design for a litter pan, as shown and described.

DESCRIPTION

FIG. 1 is a front perspective view of a litter pan in accordance with our new design;
FIG. 2 is a front view thereof;
FIG. 3 is a back view thereof;
FIG. 4 is a left side view thereof;
FIG. 5 is a right side view thereof;
FIG. 6 is a top plan view thereof; and,
FIG. 7 is a bottom view plan thereof.
The broken lines shown in the drawings depict portions of the litter pan that form no part of the claimed design.

1 Claim, 7 Drawing Sheets



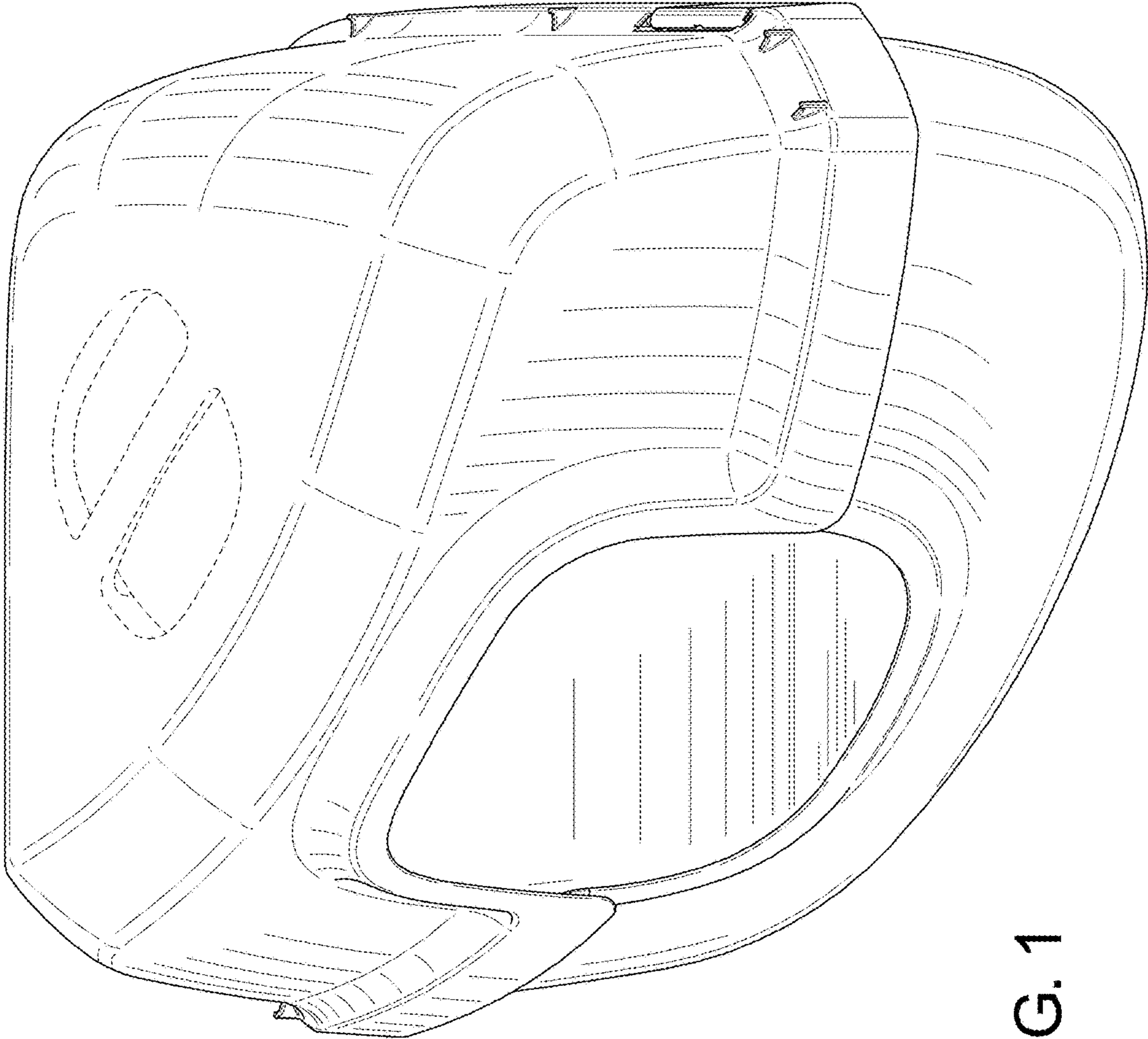


FIG. 1

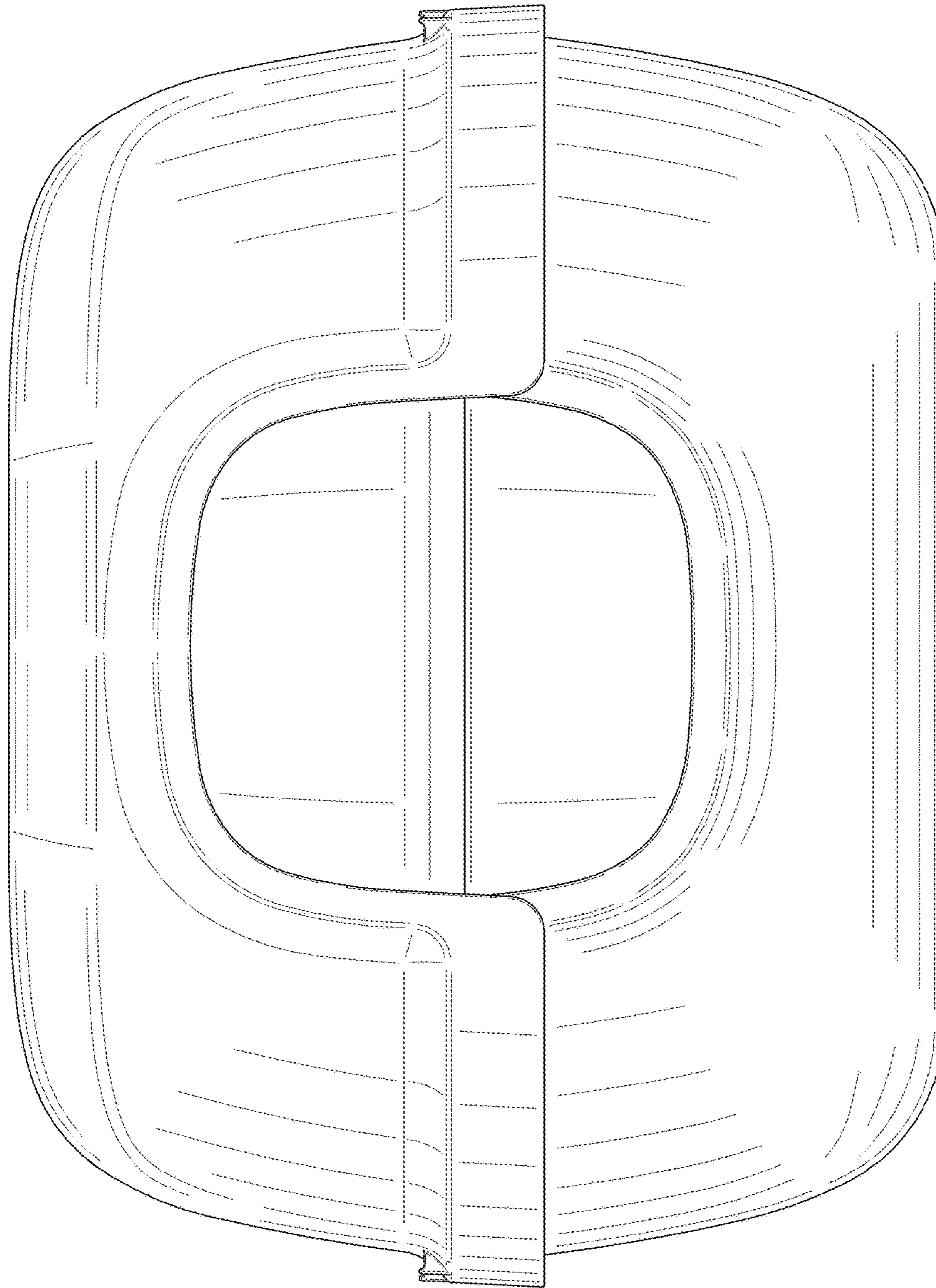


FIG. 2

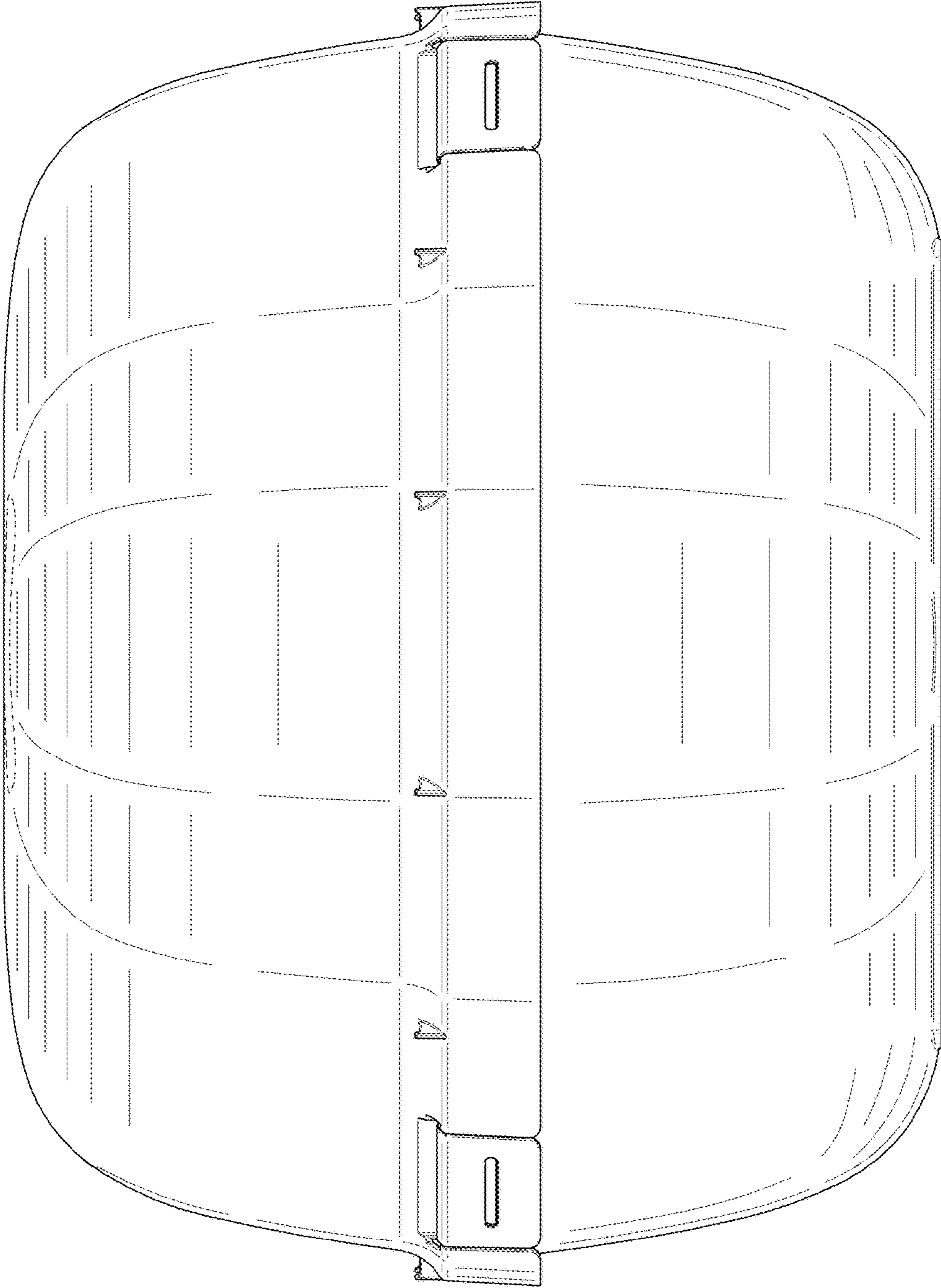


FIG. 3

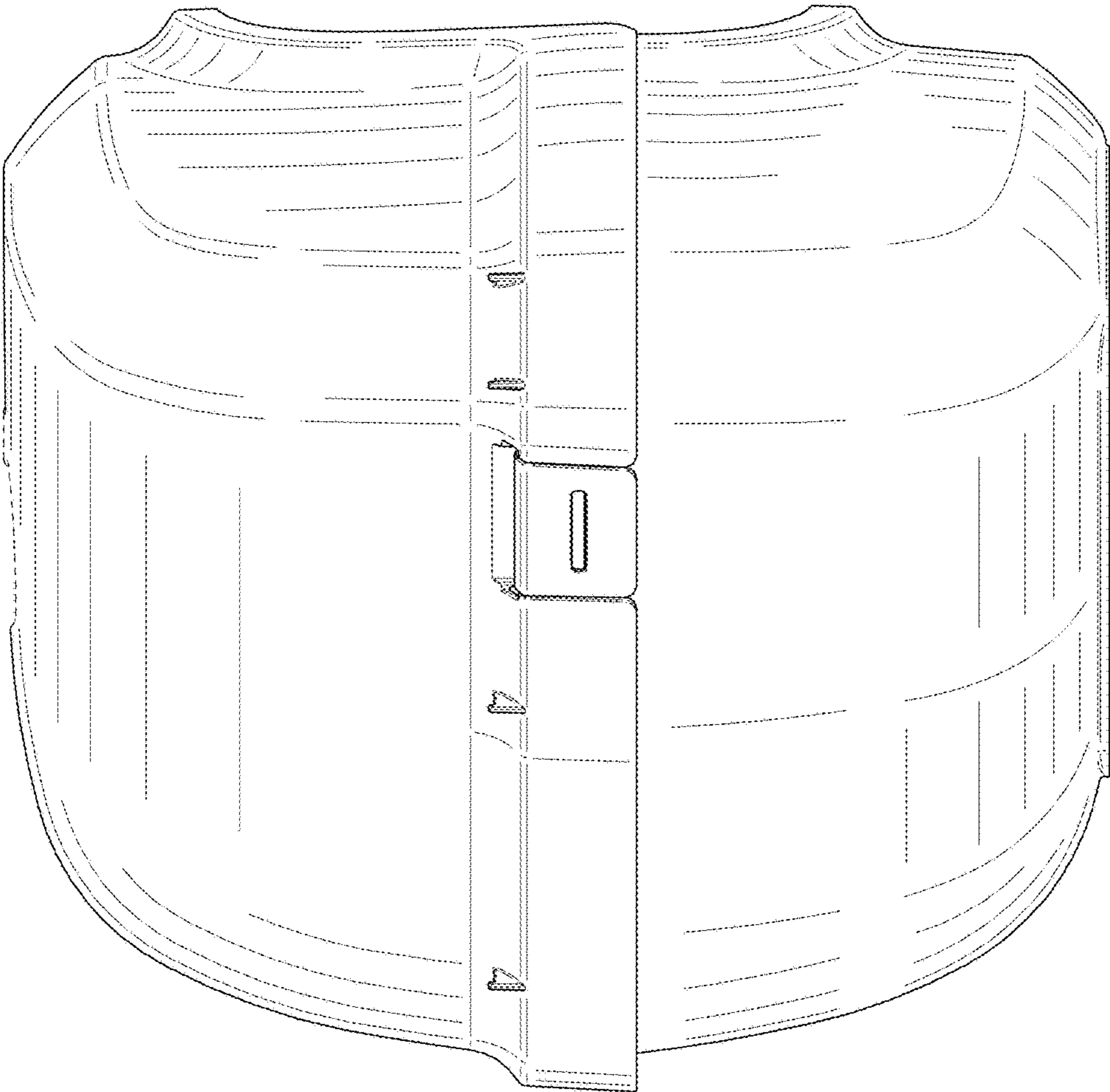


FIG. 4

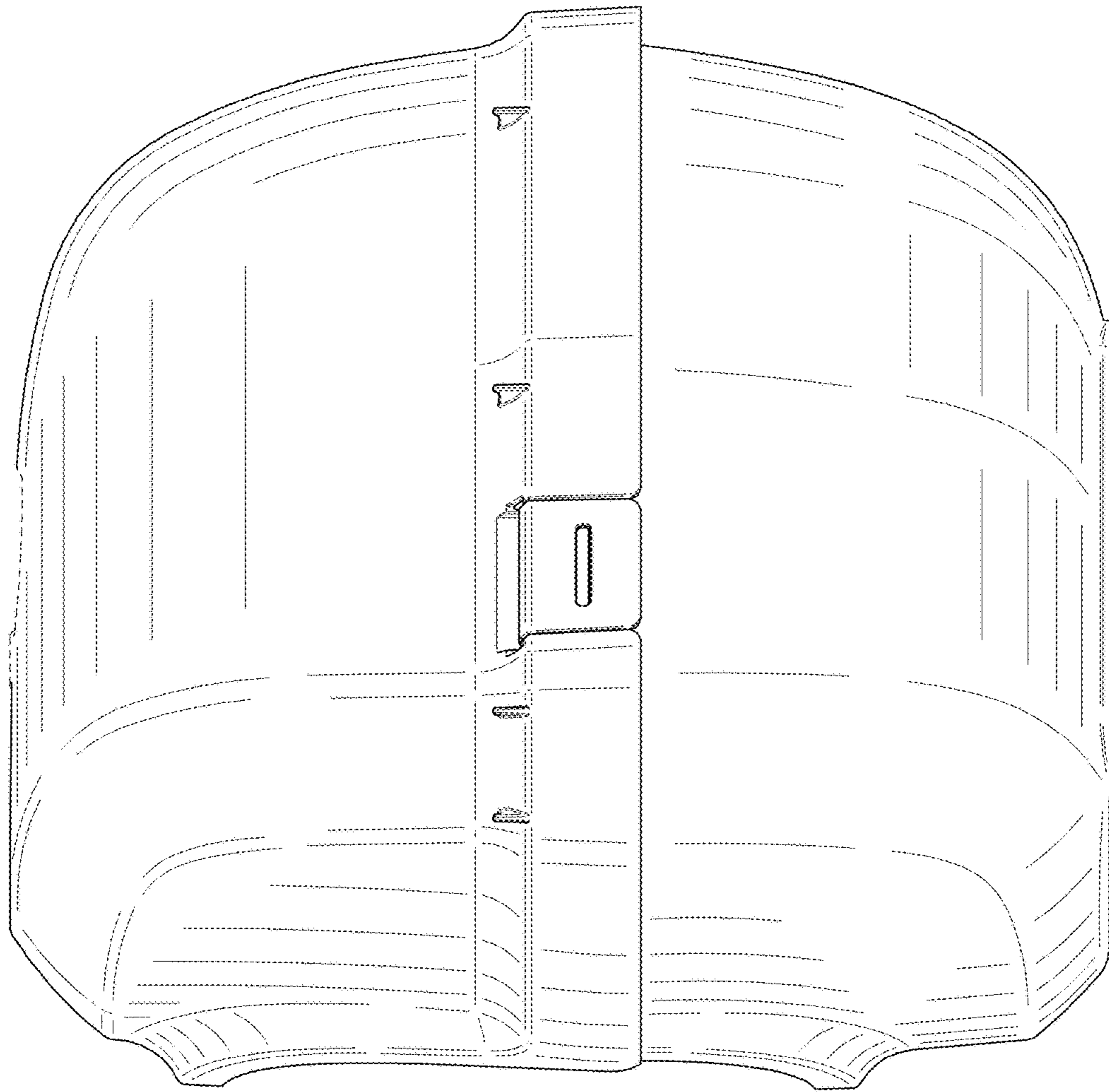


FIG. 5

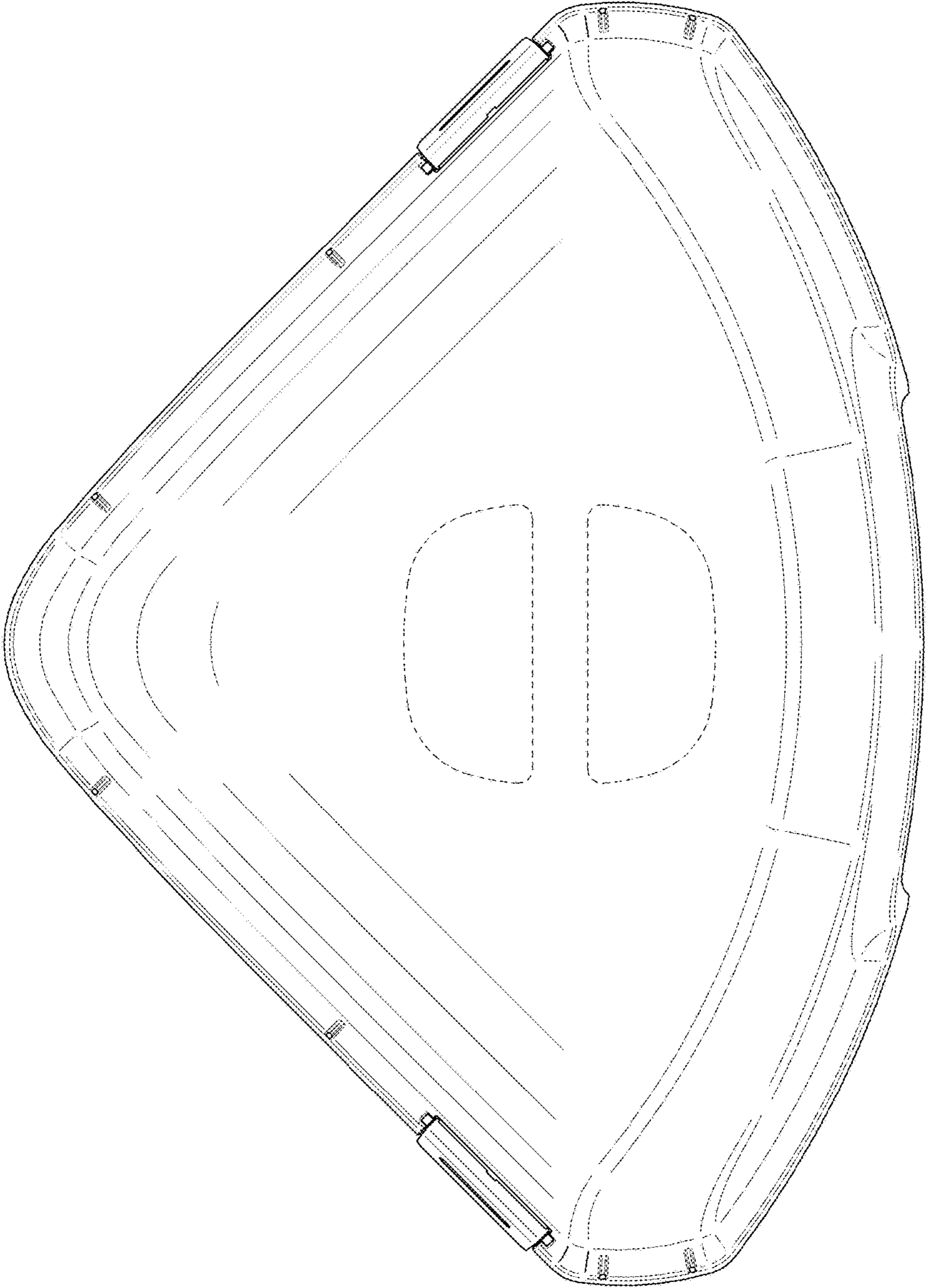


FIG. 6

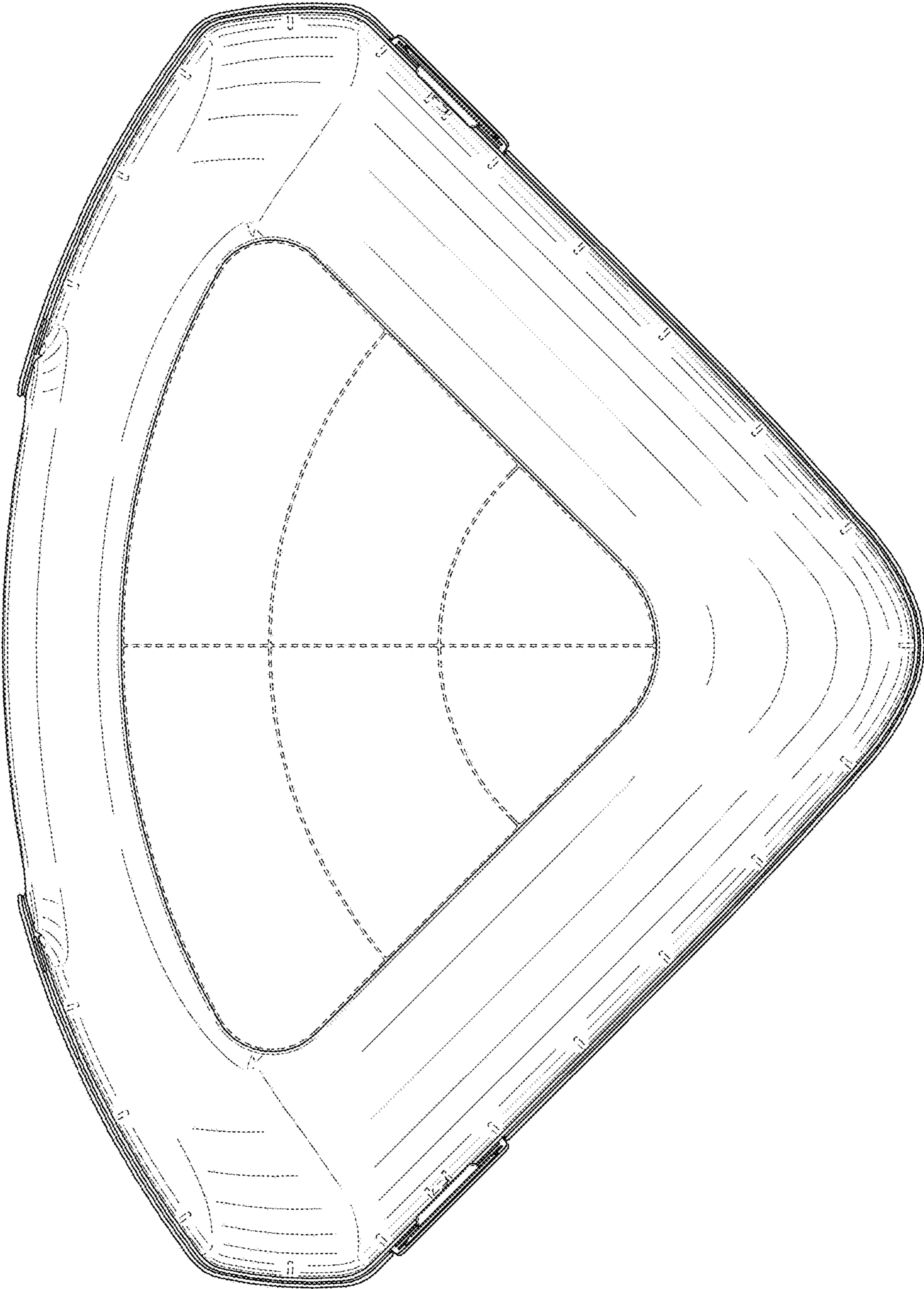


FIG. 7