



US00D867685S

(12) **United States Design Patent**
del Moral et al.

(10) **Patent No.:** **US D867,685 S**

(45) **Date of Patent:** **** Nov. 19, 2019**

(54) **DOG COLLAR CLASP**

(71) Applicant: **Delow Manufacturing Inc.**, Greenfield Park (CA)

(72) Inventors: **Miguel del Moral**, Greenfield Park (CA); **Justin Low**, Brossard (CA)

(**) Term: **15 Years**

(21) Appl. No.: **29/599,215**

(22) Filed: **Mar. 31, 2017**

(51) **LOC (12) Cl.** **30-04**

(52) **U.S. Cl.**

USPC **D30/152**; D11/87

(58) **Field of Classification Search**

USPC D30/152, 199; D11/79, 86, 87, 200–201, D11/206–210, 214–216, 222–223, 226, D11/230–238; D10/30, 40, 70, 50, 52, D10/60, 61, 104.1, 104.2; D14/344, 242, D14/203.1, 203.3, 203.5; D24/186, 191; D16/208, 219, 201; D2/321, 624, 627, D2/639–640; 119/863; 24/178

CPC A01K 11/006; A01K 11/008; A01K 13/00; A01K 15/021; A01K 15/022; A01K 27/00; A01K 27/001; A01K 27/005; A01K 27/009; A01K 27/008; A01K 27/006; A01K 29/00

See application file for complete search history.

(56) **References Cited**

U.S. PATENT DOCUMENTS

- 1,081,148 A * 12/1913 Quayle A61F 13/12
119/860
- 1,470,843 A * 10/1923 Johnson A44B 11/10
24/194
- 1,701,970 A * 2/1929 Chaunard A44C 5/2076
24/665
- 2,126,866 A * 8/1938 Boog A44B 3/00
24/332

- 2,156,647 A * 5/1939 Zeman A44B 11/22
2/322
 - 2,361,108 A * 10/1944 Johnson A01K 27/001
119/856
 - 2,411,381 A * 11/1946 Manson B64D 17/30
244/151 R
 - 2,419,662 A * 4/1947 Sutton A44B 11/22
24/176
 - D148,008 S * 12/1947 Chernow D11/87
- (Continued)

FOREIGN PATENT DOCUMENTS

- GB 4035389 * 5/2014
- TR 635637-0001 * 7/2008
- WO WO D066470-010 * 8/2005

OTHER PUBLICATIONS

Big Dog Chains, published Oct. 28, 2015 [online], [retrieved Oct. 25, 2018], Available from Internet, URL: <<https://www.youtube.com/watch?v=k-HY7dEtk6g>> @ approximately 0:35.*

(Continued)

Primary Examiner — T Chase Nelson

Assistant Examiner — Mary Claire Ramirez

(74) *Attorney, Agent, or Firm* — Heer Law; Christopher D. Heer

(57) **CLAIM**

The ornamental design for a dog collar clasp, as shown and described.

DESCRIPTION

FIG. 1 is a bottom view of a dog collar clasp according to the present design;

FIG. 2 is a top front perspective view thereof;

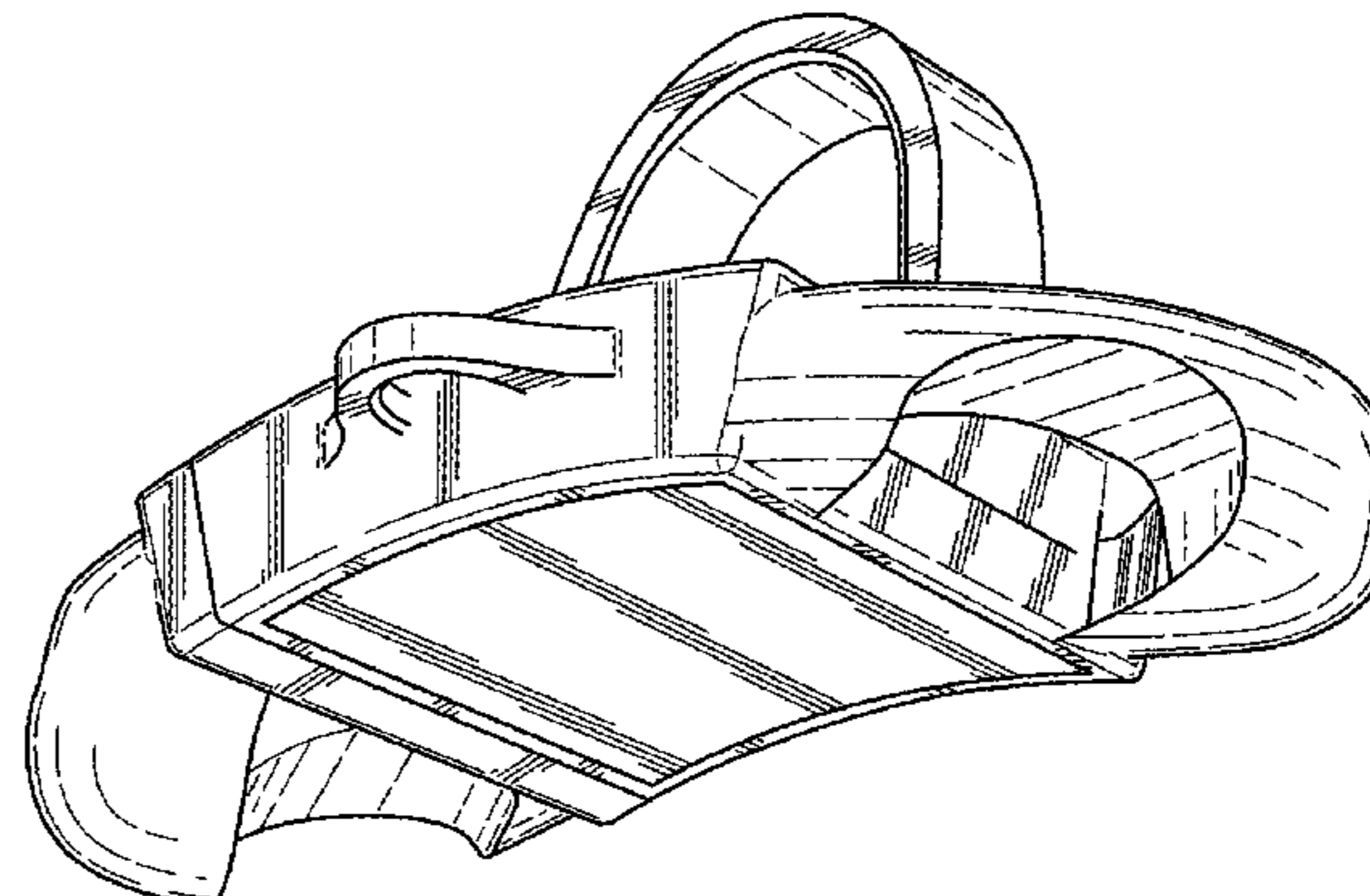
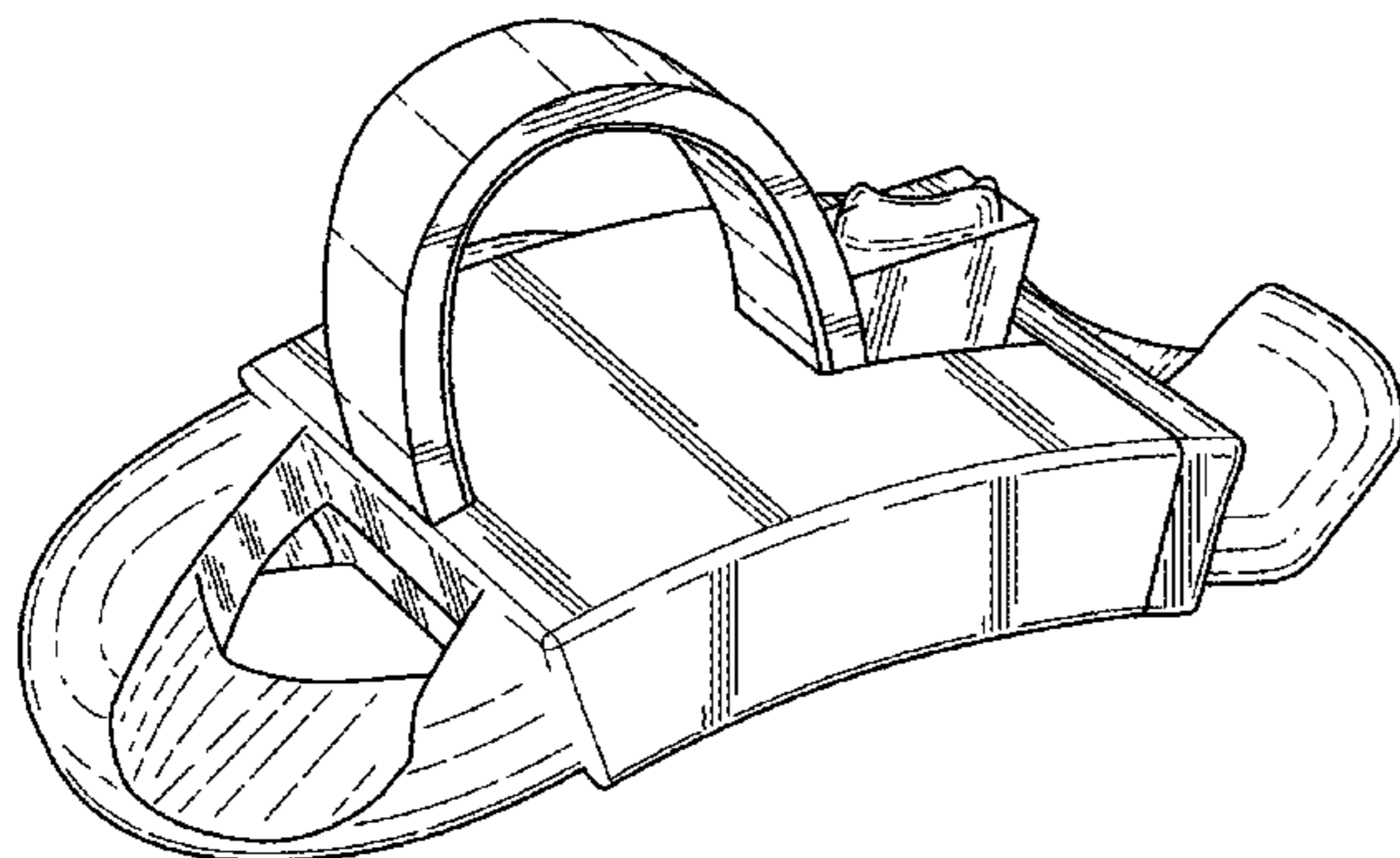
FIG. 3 is a bottom back perspective view thereof;

FIG. 4 is a bottom front perspective view thereof;

FIG. 5 is a front view thereof; and,

FIG. 6 is a back view thereof.

1 Claim, 3 Drawing Sheets



(56)

References Cited

U.S. PATENT DOCUMENTS

3,225,406 A * 12/1965 Levy A44C 5/2095
24/616
3,251,110 A * 5/1966 Hedu A44B 11/263
24/616
4,041,579 A * 8/1977 Chappel A44C 5/2028
24/600.8
D252,865 S * 9/1979 Barr D11/13
D264,260 S * 5/1982 Terino, Jr. D11/218
D322,871 S * 12/1991 Heyman D30/152
5,443,039 A * 8/1995 Suchowski A01K 27/005
119/792
D361,954 S * 9/1995 Colpo D11/87
D370,771 S * 6/1996 Randall D29/101.5
D438,485 S * 3/2001 Forin D11/6
D464,903 S * 10/2002 Kahan D11/87
D466,433 S * 12/2002 Goto D11/87
D523,999 S * 6/2006 Olson D30/152
D555,298 S * 11/2007 Garon D30/152
D622,179 S * 8/2010 Frye D11/216
D629,329 S * 12/2010 Mudrick D11/87
D707,153 S * 6/2014 Meissner D11/1
D724,991 S * 3/2015 Oh D11/87
D725,848 S * 3/2015 So D30/152
D750,850 S * 3/2016 Javornick D11/218
D775,544 S * 1/2017 Blootacker D11/13
D822,915 S * 7/2018 McKee D30/152
10,098,326 B2 * 10/2018 Pincus A01K 27/001
2006/0000194 A1 * 1/2006 Duncan A01K 15/021
54/71
2006/0207520 A1 * 9/2006 Moore A01K 15/021
119/720
2009/0255486 A1 * 10/2009 Thompson A01K 27/004
119/794
2018/0064068 A1 * 3/2018 McKee A01K 27/009

OTHER PUBLICATIONS

Caesar XL, published Oct. 28, 2015 [online], [retrieved Oct. 25, 2018], Available from Internet, URL: <<https://www.youtube.com/watch?v=KkVgqatxEgA>> @ approximately 0:32.*
Necklace 18KYG Cuba link chain necklace with a box clasp, published Oct. 21, 2017 [online], [retrieved Oct. 25, 2018], Available from Internet, URL: <http://www.icollector.com/NECKLACE-1-18KYG-Cuban-link-chain-necklace-with-a-box-clasp-and-the-initials-CVL-the-chain-and_i28137510>.*
Cuban Link Bracelet, 2018 [online], URL: <https://www.etsy.com/listing/619385739/155-mm-heavy-sterling-silver-miami-cuban?gpla=1&gao=1&utm_campaign=shopping_us_EJewelryPlus_sfc_osa&utm_medium=cpc&utm_source=google&utm_custom1=0&utm_content=9628660&gclid=EA1a1QobChMI4-vxq5md3gIV1UsNCh1aZQ72EAQYCCABEgLFafD_BwE>.*
Large Cuban Link With Black Diamond Clasp #B981, not date available [online], [retrieved Oct. 25, 2018], Available from Internet, URL: <<http://www.versani.com/product.php?productid=1094>>.*
Sterling Silver Cuban Link Bracelets B628B—20mm—Security Clasp, copyright 2012 [online], [retrieved Oct. 25, 2018], Available from Internet, URL: <<http://www.jewelry-by-anixi.com/mans-jewelry-sterling-silver-cuban-link-bracelets-b628-20mm-security-clasp>>.*
W&W Lifetime Stainless Steel Training Chain Pitbull Pet Dog Choke Collar, no date available [online], [retrieved Oct. 25, 2018], Available from Internet, URL: <<https://www.amazon.com/Stainless-Training-Pitbull-Collar-19-68Inch/dp/B06XYPWX1V>>.*

* cited by examiner

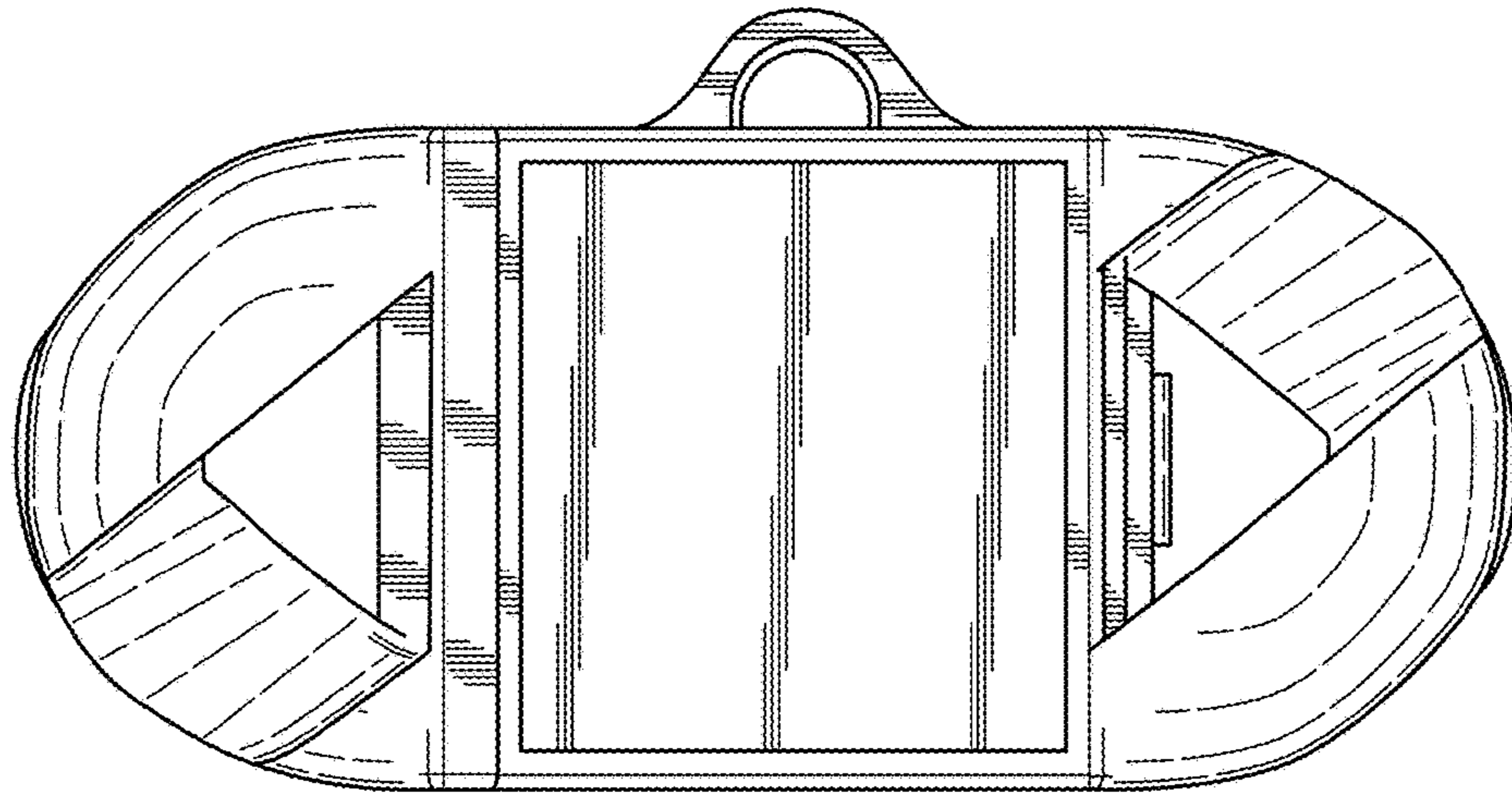


FIGURE 1

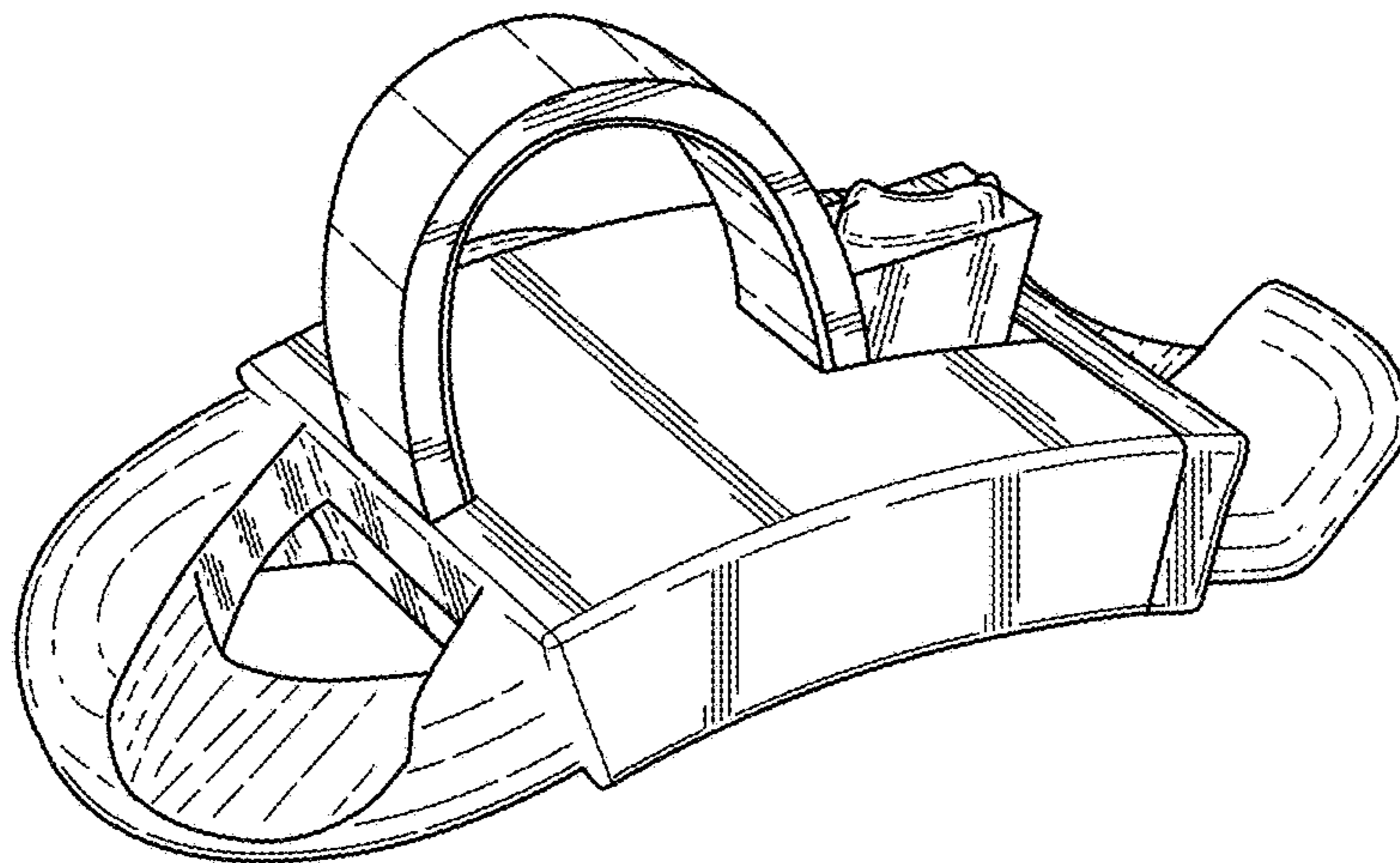


FIGURE 2

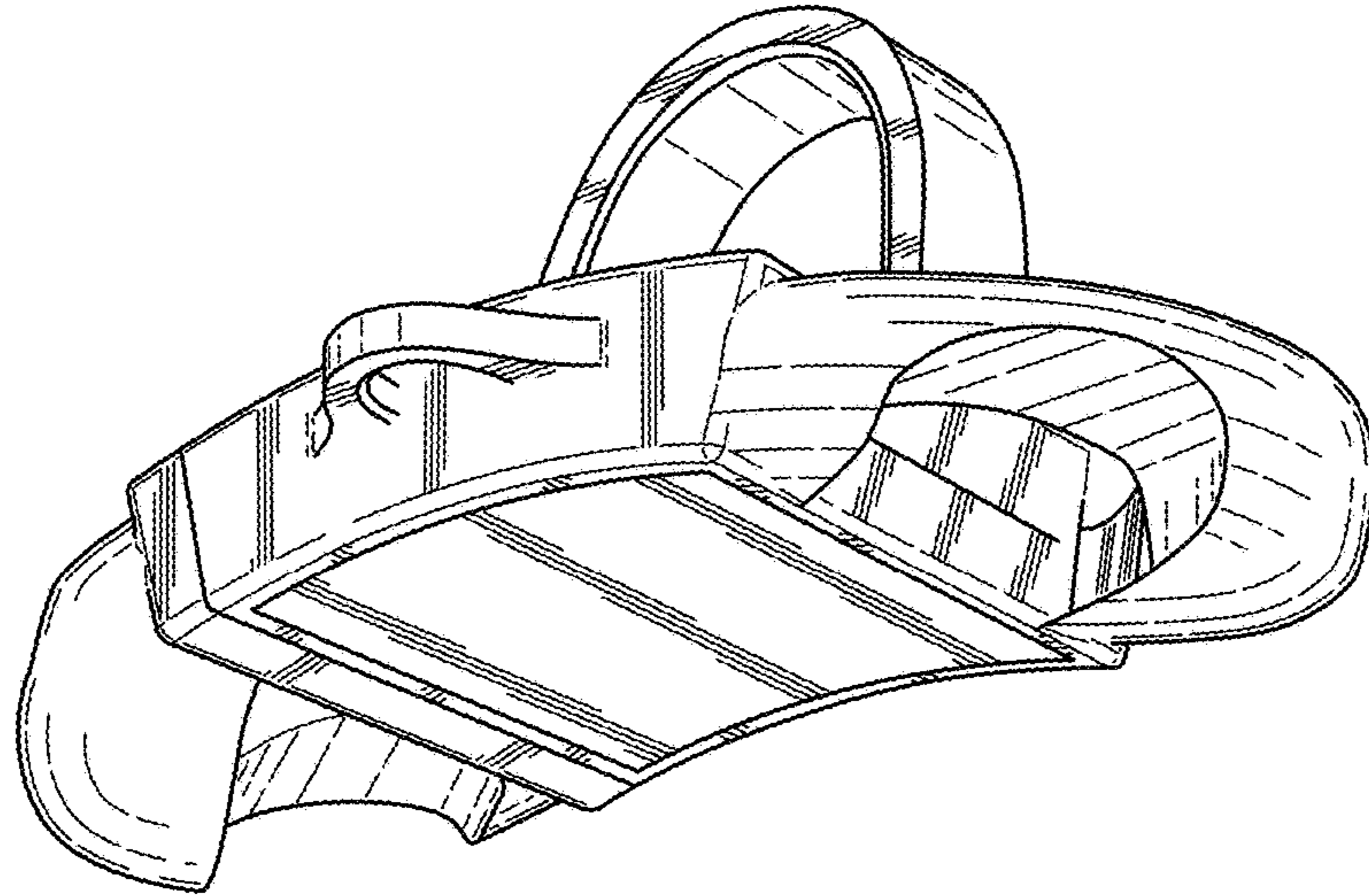


FIGURE 3

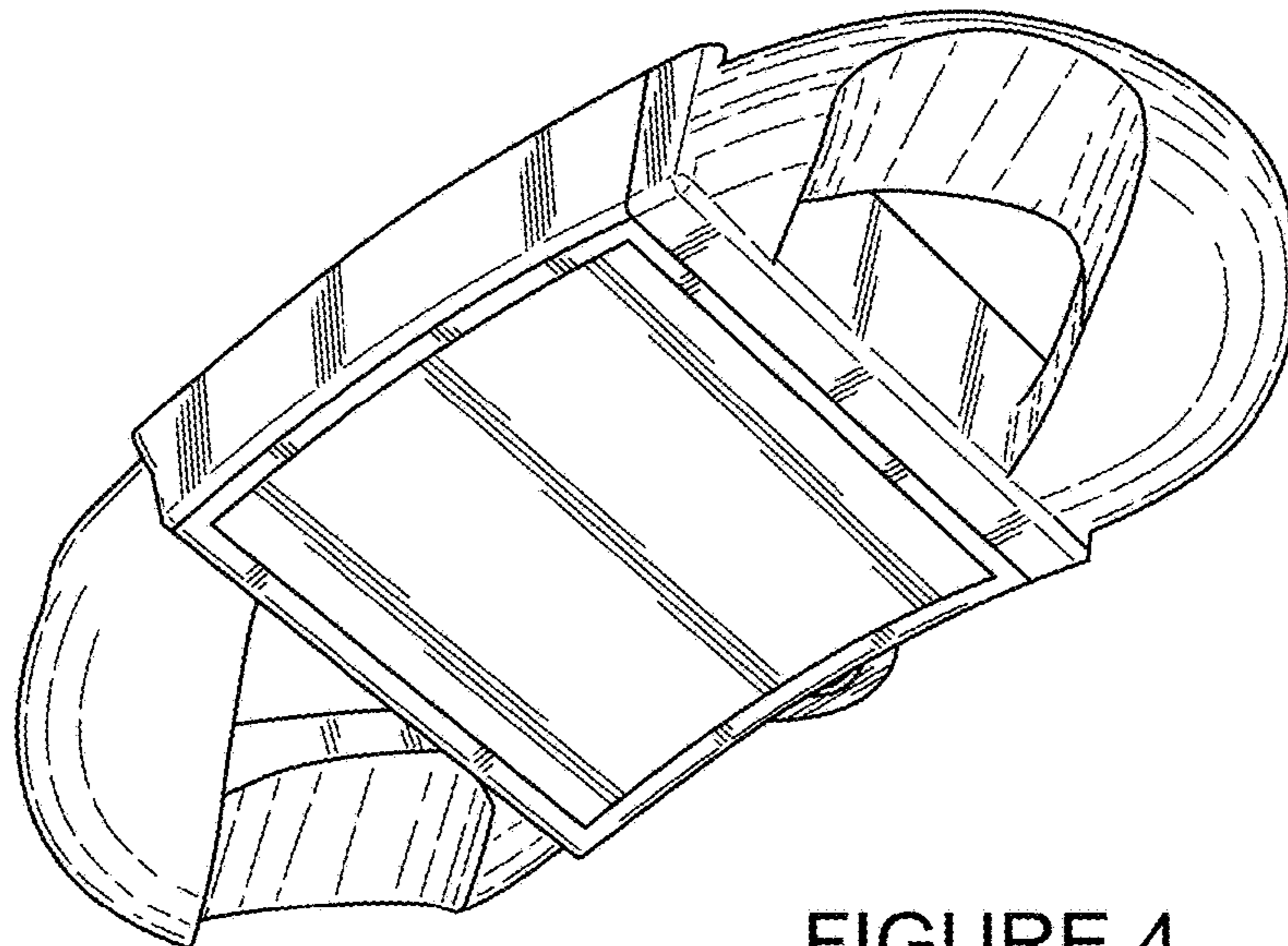


FIGURE 4

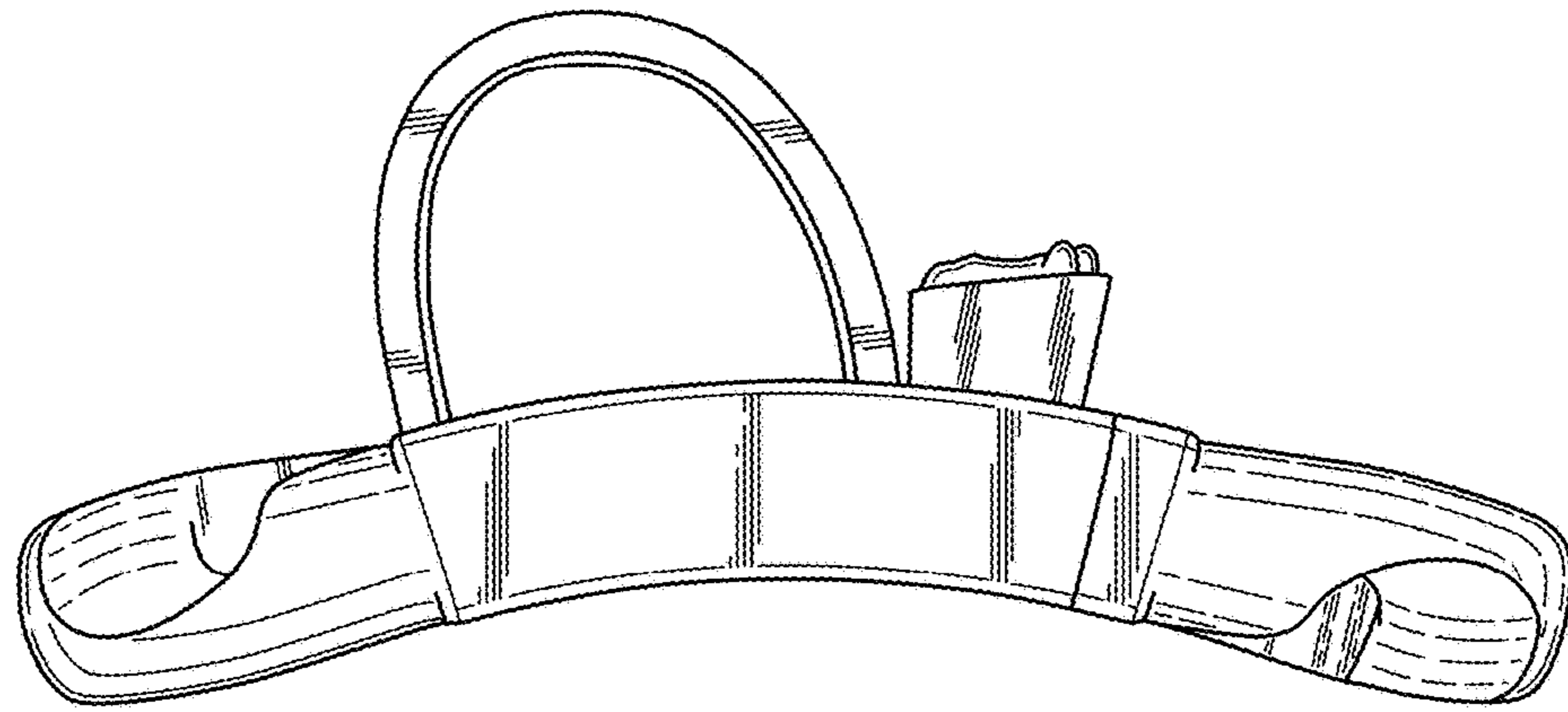


FIGURE 5

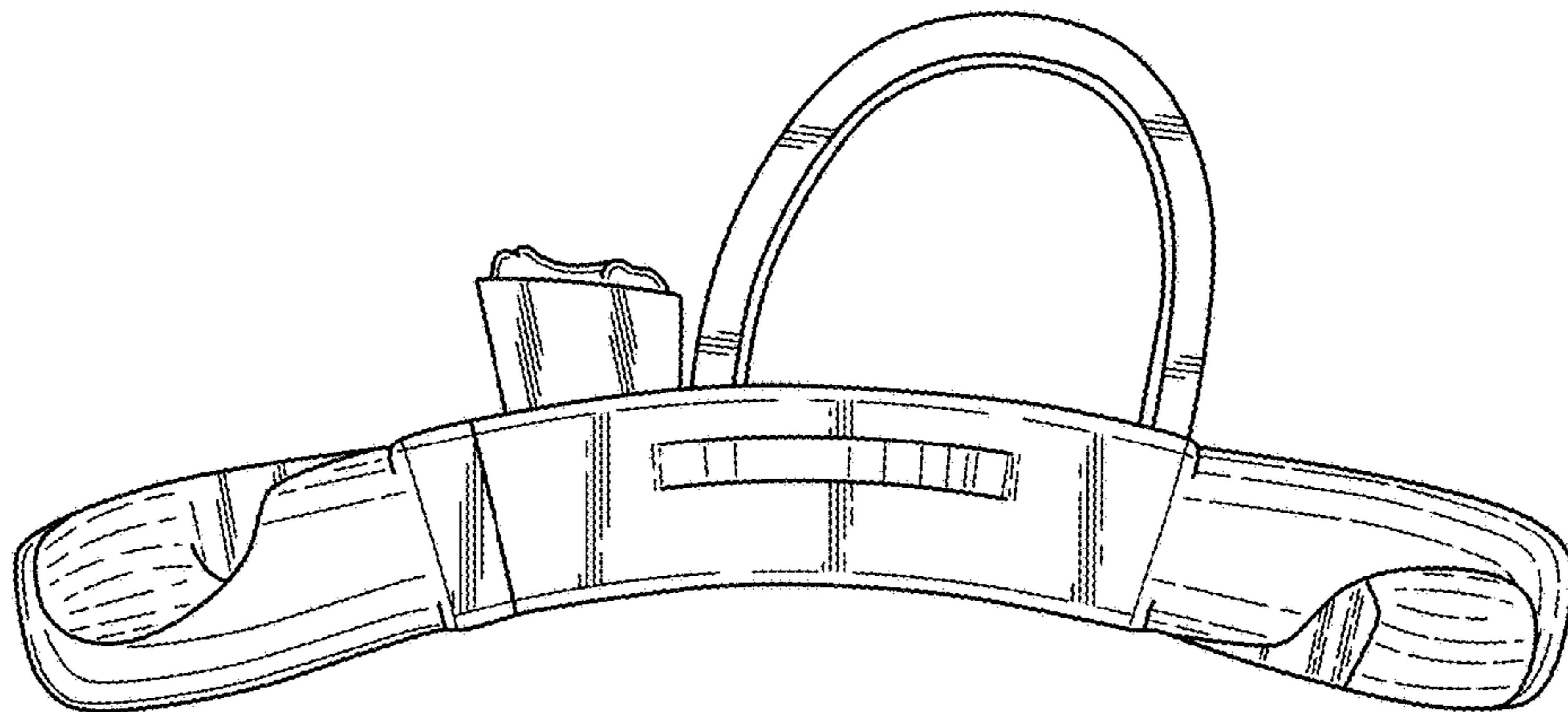


FIGURE 6