

US00D867684S

(12) **United States Design Patent**  
**Nooyen**

(10) **Patent No.:** **US D867,684 S**  
(45) **Date of Patent:** **\*\* Nov. 19, 2019**

(54) **HORSESHOE**

FOREIGN PATENT DOCUMENTS

(71) Applicant: **James Edward Nooyen**, Oklahoma City, OK (US)

JP 2010155036 A \* 7/2010

(72) Inventor: **James Edward Nooyen**, Oklahoma City, OK (US)

OTHER PUBLICATIONS

(\*\*) Term: **15 Years**

(21) Appl. No.: **29/624,805**

“Thoro’Bred Aluminum Regular Toe Block, Hinds”. Found online Jul. 1, 2019 at piehtoolco.com. Page dated Jun. 9, 2014. Retrieved from [https://tineye.com/search/da11959f79306f6be86e8bd9dc1d0f91f989b124?sort=crawl\\_date&page=1&extension\\_ver=chrome-1.3.0&order=asc.\\*](https://tineye.com/search/da11959f79306f6be86e8bd9dc1d0f91f989b124?sort=crawl_date&page=1&extension_ver=chrome-1.3.0&order=asc.*)

(22) Filed: **Nov. 3, 2017**

“Vettec Hoof Care: facebook”. Found online Jun. 24, 2019 at facebook.com. Page dated Mar. 7, 2014. Retrieved from [https://www.facebook.com/Vettecproducts/photos/a.10152251364073624/10152251364758624/?type=3.\\*](https://www.facebook.com/Vettecproducts/photos/a.10152251364073624/10152251364758624/?type=3.*)

(51) **LOC (12) Cl.** ..... **30-01**

(52) **U.S. Cl.**  
USPC ..... **D30/148**

“Diamond Farrier Horseshoe, Classic Heeled”. Found online Jun. 10, 2019 at amazon.co.uk. Page dated May 13, 2013. Retrieved from [https://www.amazon.co.uk/...ond-Farrier-DC1HB-Horseshoe-Classic/dp/B003A5VZDS/ref=sr\\_1\\_24?keywords=horseshoe&qid=1560186718&rnid=340841031&s=pet-supplies&sr=1-24.\\*](https://www.amazon.co.uk/...ond-Farrier-DC1HB-Horseshoe-Classic/dp/B003A5VZDS/ref=sr_1_24?keywords=horseshoe&qid=1560186718&rnid=340841031&s=pet-supplies&sr=1-24.*)

(58) **Field of Classification Search**  
USPC ..... D30/146, 147, 148, 149, 150; D9/650; D21/387; D24/192; D2/897, 906, 919, D2/943, 980  
CPC ..... A01L 1/02  
See application file for complete search history.

\* cited by examiner

*Primary Examiner* — Kendra Leslie Hamilton

(56) **References Cited**

(74) *Attorney, Agent, or Firm* — Hall Estill Attorneys at Law; Tyler J. Mantooth

U.S. PATENT DOCUMENTS

(57) **CLAIM**

D29,938 S *	1/1899	Paar	.....	D30/147
1,777,727 A *	10/1930	Krug	.....	A01L 7/00
				168/29
2,085,347 A *	6/1937	Wachter	.....	A01L 5/00
				168/13
3,310,115 A *	3/1967	Ward	.....	A01L 5/00
				168/4
4,122,900 A *	10/1978	Barr	.....	A01L 7/06
				168/12
D253,013 S *	9/1979	Hiraoka	.....	D30/148
D268,535 S *	4/1983	Charlson	.....	D30/147
5,421,415 A *	6/1995	Wells	.....	A01L 1/04
				168/24
D367,739 S *	3/1996	Fox	.....	D30/148
D483,530 S *	12/2003	Bruns	.....	168/4
D705,117 S *	5/2014	Doughty	.....	D11/157
D776,369 S *	1/2017	Whitman	.....	D30/148
2013/0112437 A1 *	5/2013	Sledd	.....	A01L 1/04
				168/4

The ornamental design for a horseshoe, as shown and described.

**DESCRIPTION**

FIG. 1 is a top, front, left perspective view of a horseshoe, showing my new design.  
FIG. 2 is a bottom, rear, left perspective thereof.  
FIG. 3 is a top plan view thereof.  
FIG. 4 is a bottom plan view thereof.  
FIG. 5 is a front elevation view of the horseshoe of FIG. 1, shown enlarged for clarity of disclosure.  
FIG. 6 is a rear elevation view thereof.  
FIG. 7 is a left side elevation view thereof; and,  
FIG. 8 is a right side elevation view thereof.

**1 Claim, 3 Drawing Sheets**

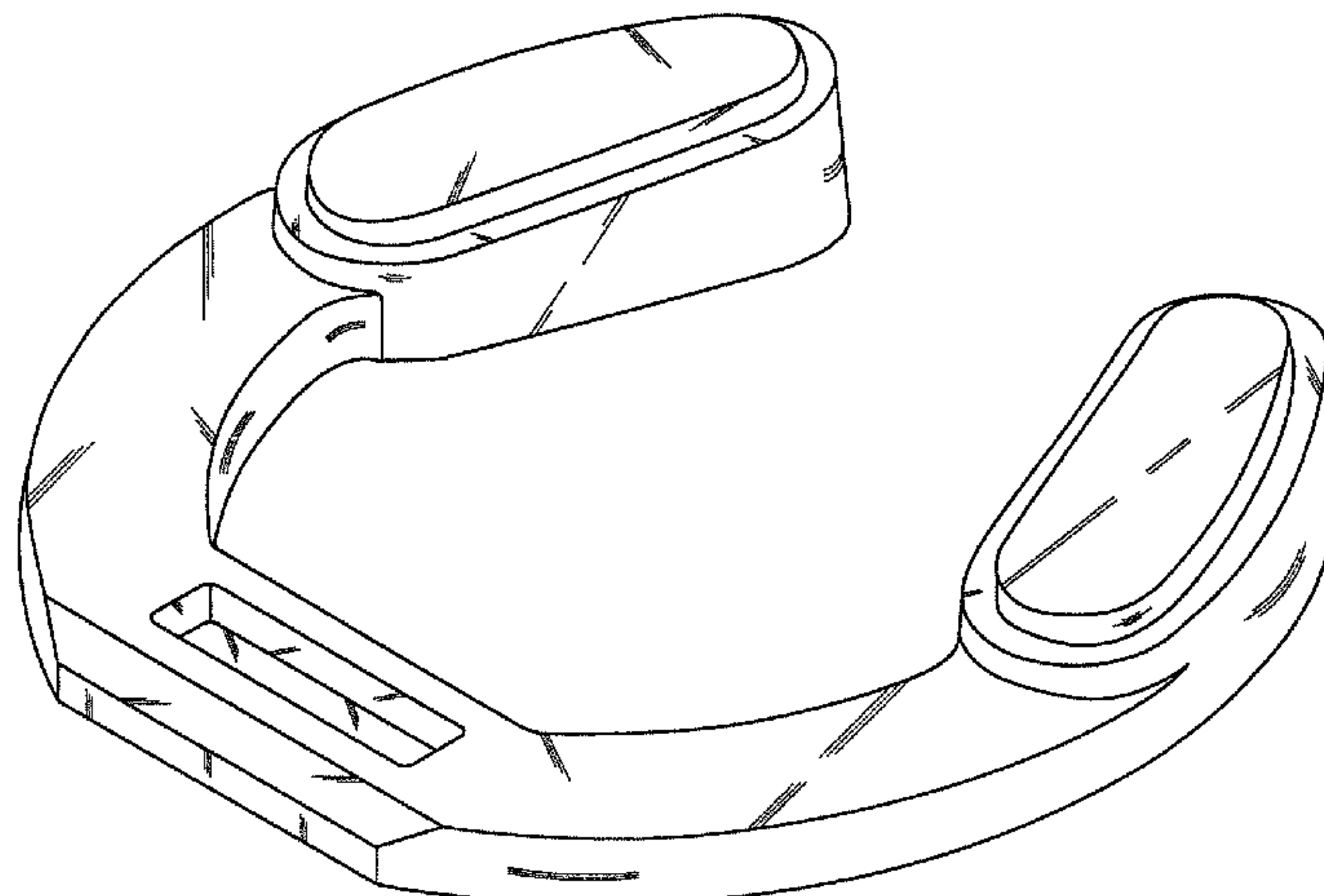


FIG. 1

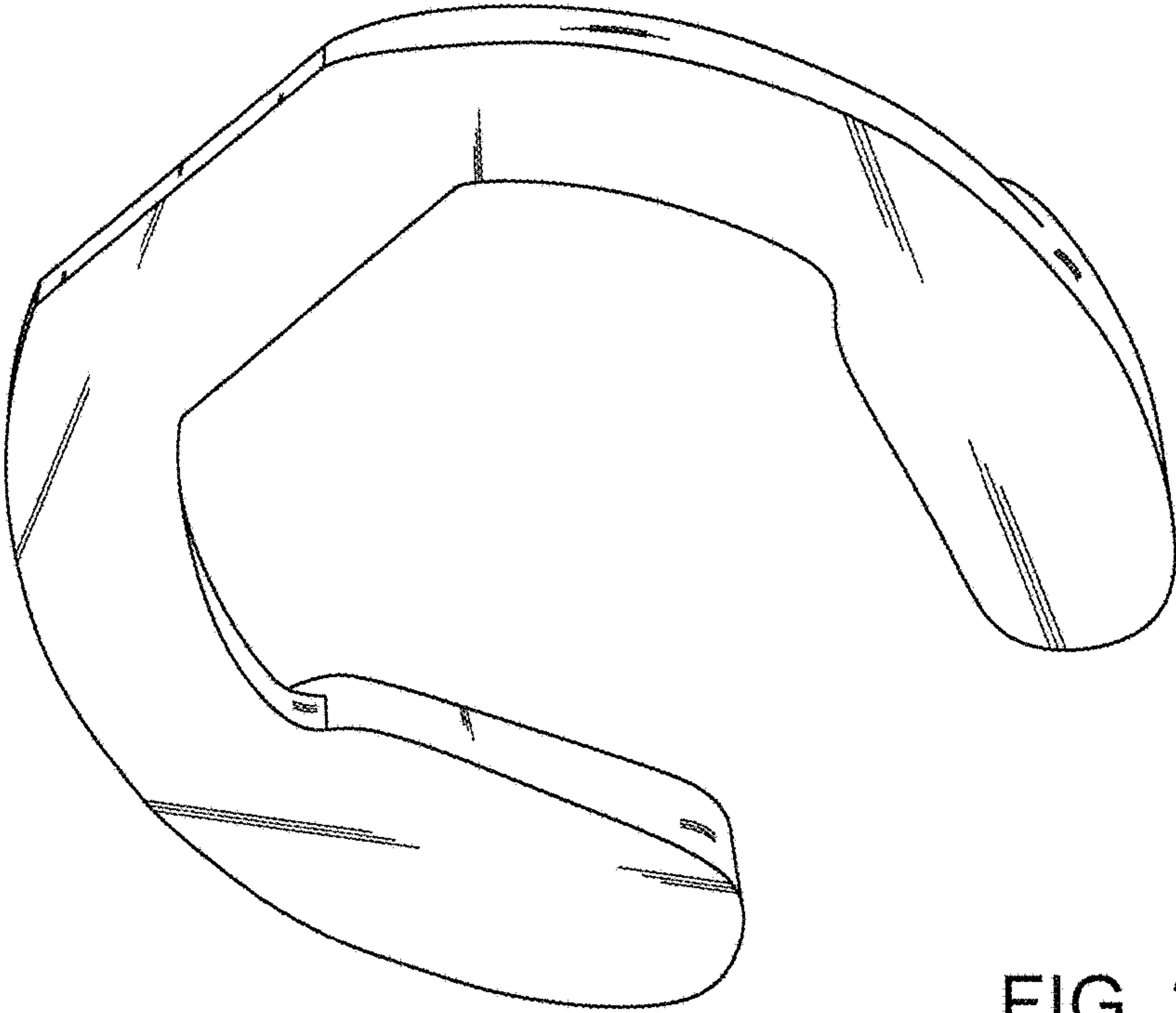
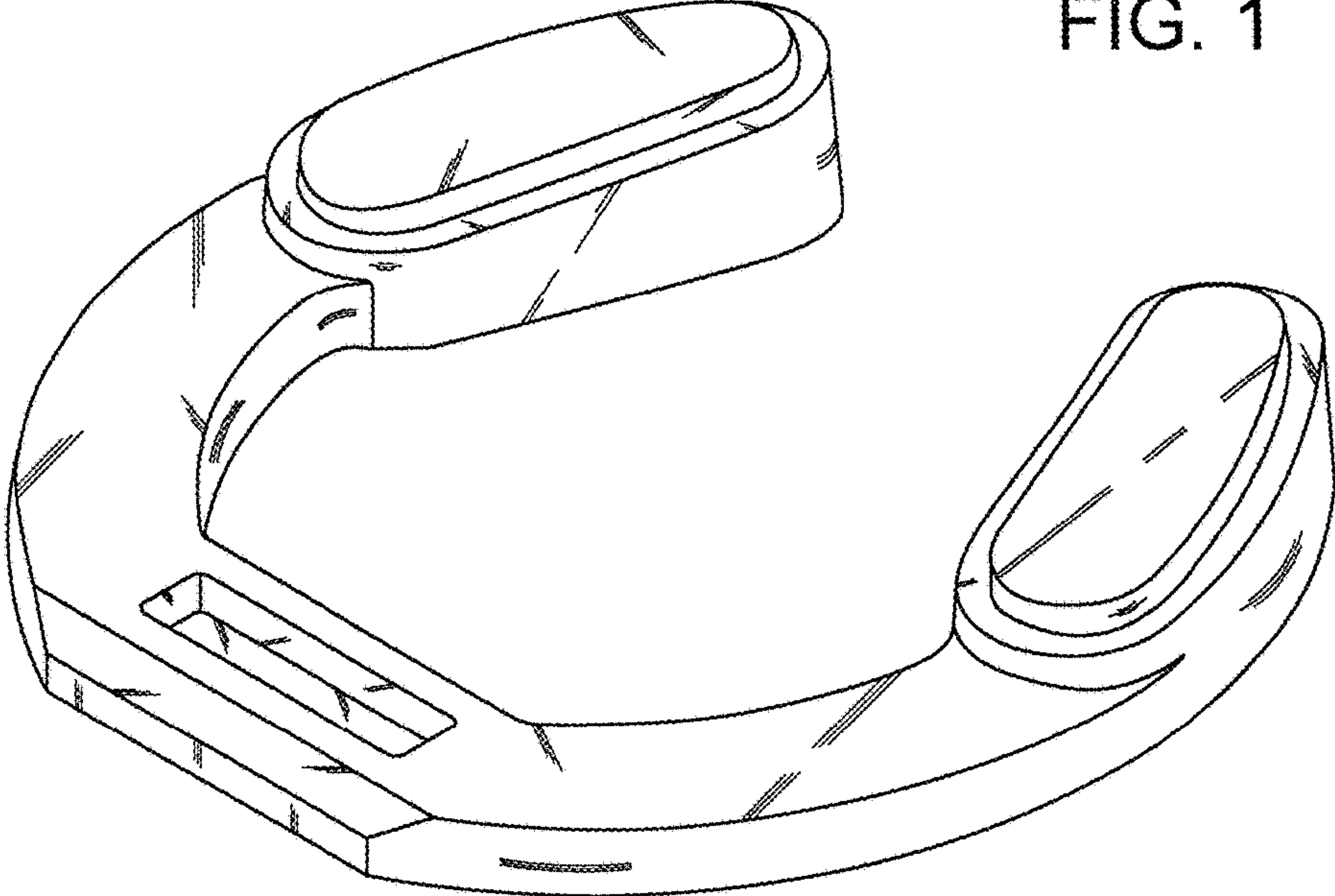


FIG. 2

FIG. 3

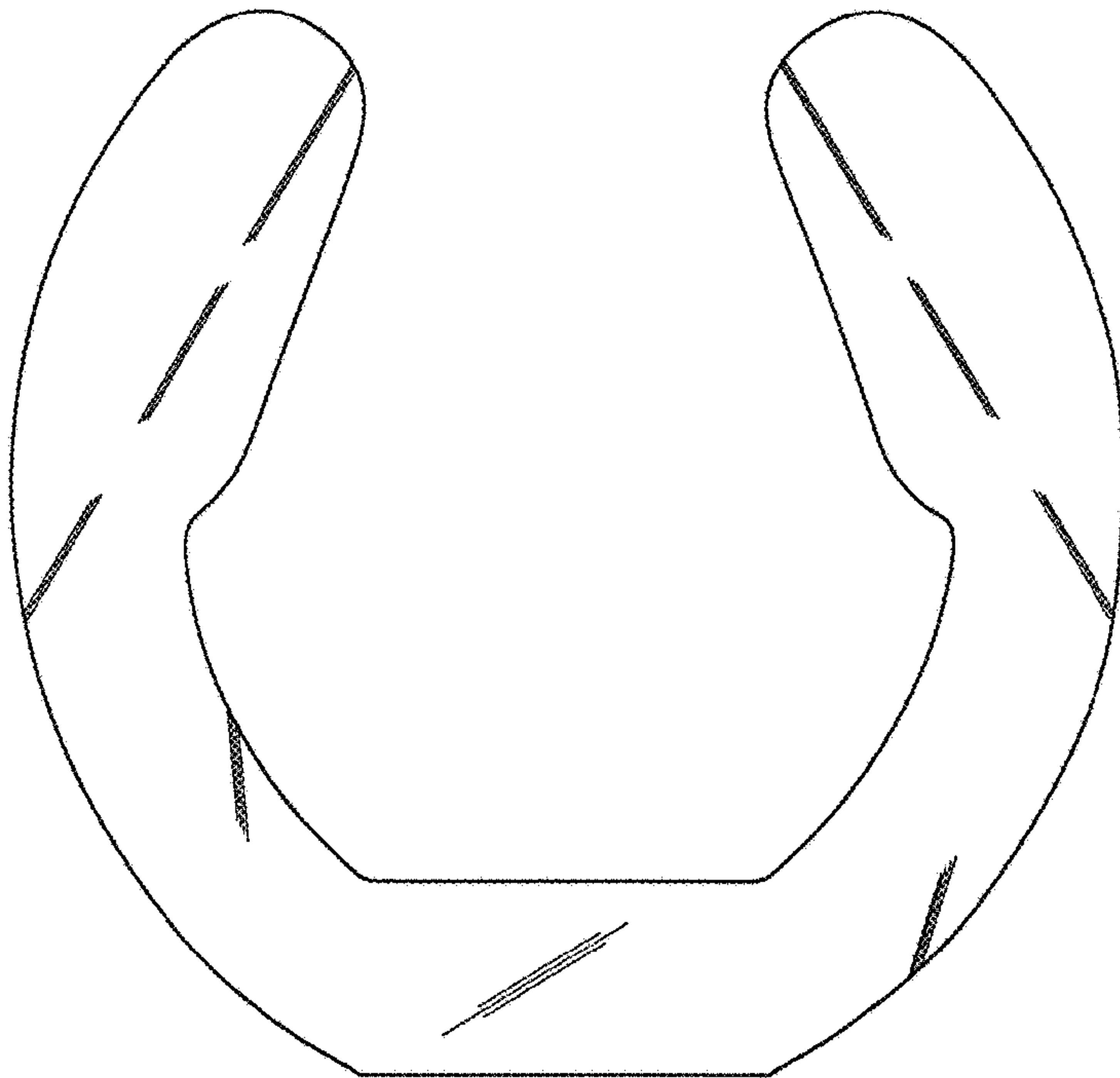
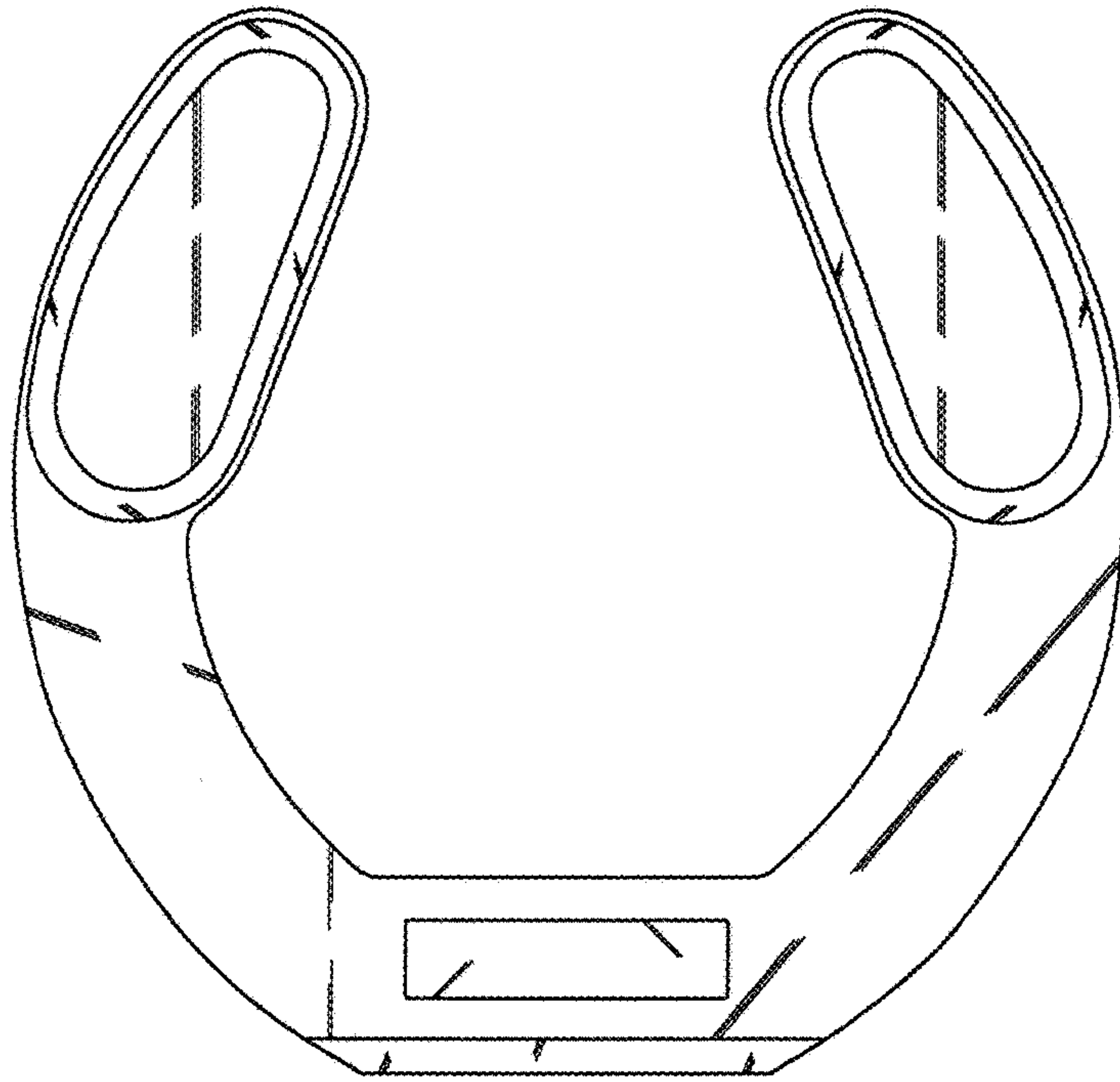


FIG. 4

