



US00D867683S

(12) **United States Design Patent** (10) **Patent No.:** **US D867,683 S**
Stevenson et al. (45) **Date of Patent:** **** Nov. 19, 2019**

(54) **UNGULATE SHOE**

- (71) Applicant: **D2M Solutions FZE**, Dubai (AE)
- (72) Inventors: **Robert James Stevenson**, Dubai (AE);
Dimitrios Halabi Nicolaides, Dubai (AE)
- (73) Assignee: **D2M SOLUTIONS FZE**, Dubai (AE)
- (**) Term: **15 Years**
- (21) Appl. No.: **29/658,290**
- (22) Filed: **Jul. 30, 2018**
- (51) **LOC (12) Cl.** **30-01**
- (52) **U.S. Cl.**
USPC **D30/147**
- (58) **Field of Classification Search**
USPC D30/146, 147, 148, 149, 150; D9/650;
D21/387; D24/192; D2/897, 906, 919,
D2/943, 980
CPC A01L 1/02; A01L 5/00
See application file for complete search history.

(56) **References Cited**

U.S. PATENT DOCUMENTS

- 2,041,538 A * 5/1936 Gash A01L 5/00
168/1
- 3,236,310 A * 2/1966 Quick A01L 3/02
168/18
- D509,328 S * 9/2005 Kinney 168/4
- D580,111 S * 11/2008 Lander D30/146
- D671,694 S * 11/2012 Ford D30/146
- D683,084 S * 5/2013 Lander D30/148
- D726,973 S * 4/2015 Ford A01L 1/02
D30/147
- D767,830 S * 9/2016 Blair D30/147
- D838,059 S * 1/2019 Ruetenik D30/147
- 2011/0139467 A1 * 6/2011 Moller A01L 1/04
168/12
- 2012/0118587 A1 * 5/2012 Patek A01K 13/007
168/4
- 2018/0020653 A1 * 1/2018 Charnley A01L 1/00
168/9

FOREIGN PATENT DOCUMENTS

WO WO-2004107857 A2 * 12/2004 A01L 5/00

OTHER PUBLICATIONS

“Formahoof: instagram”. Found online Jun. 24, 2019 at [instagram.com](https://www.instagram.com/p/BmlQarClxLp/). Page dated Aug. 17, 2018. Retrieved from <https://www.instagram.com/p/BmlQarClxLp/>.*

“FormaHoof: Playful Modern Flyer Design for D2M Solutions”. Found online Jun. 8, 2019 at [designcrowd.com](https://www.designcrowd.com/design/19959954). Page dated Oct. 10, 2018. Retrieved from <https://www.designcrowd.com/design/19959954>.*

“Formahoof: facebook”. Found online Jun. 24, 2019 at [facebook.com](https://www.facebook.com/FormaHoof/photos/a.688022384691220/803157146511076/?type=3). Page dated Aug. 23, 2017. Retrieved from <https://www.facebook.com/FormaHoof/photos/a.688022384691220/803157146511076/?type=3>.*

* cited by examiner

Primary Examiner — Kendra Leslie Hamilton
(74) *Attorney, Agent, or Firm* — King & Schickli PLLC

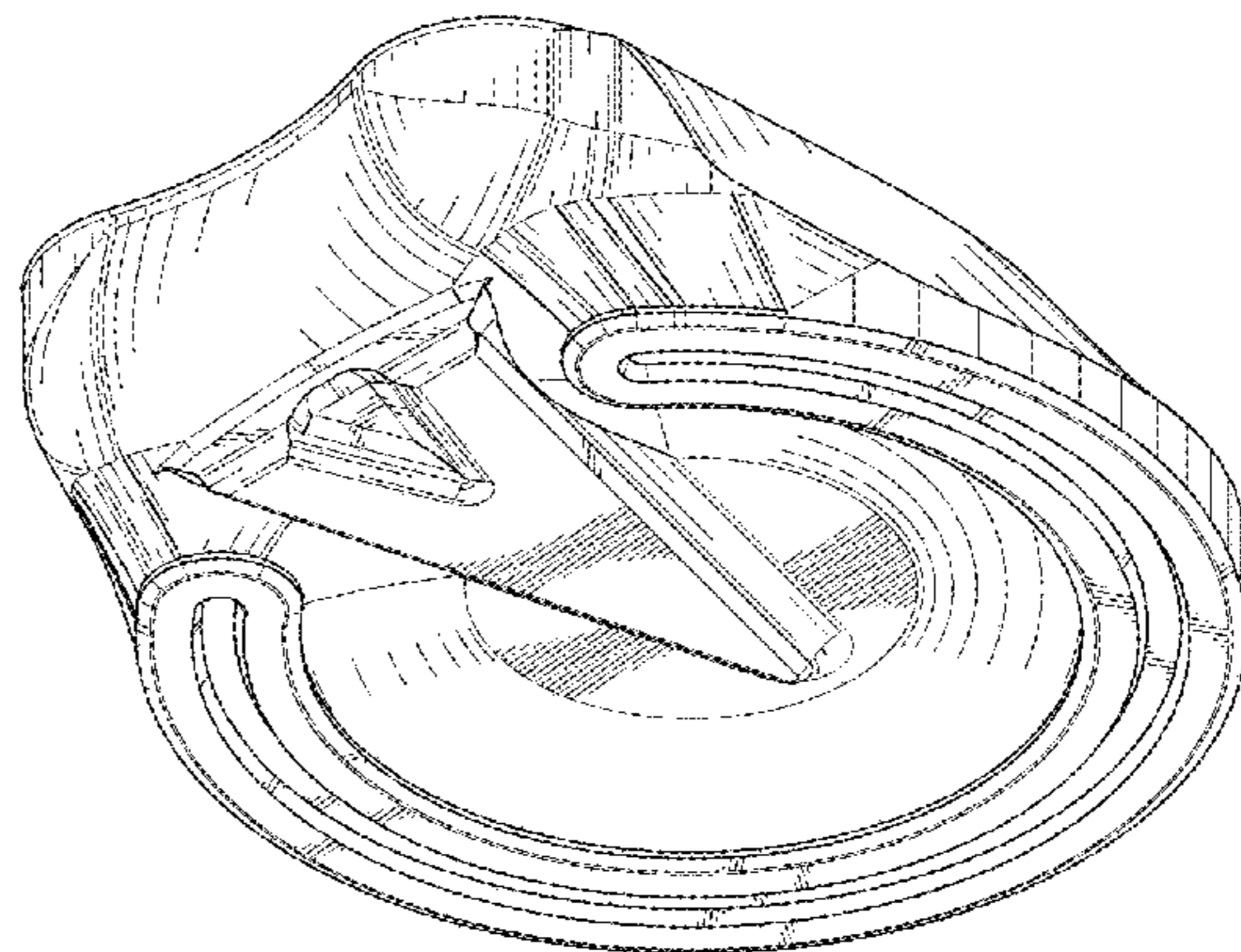
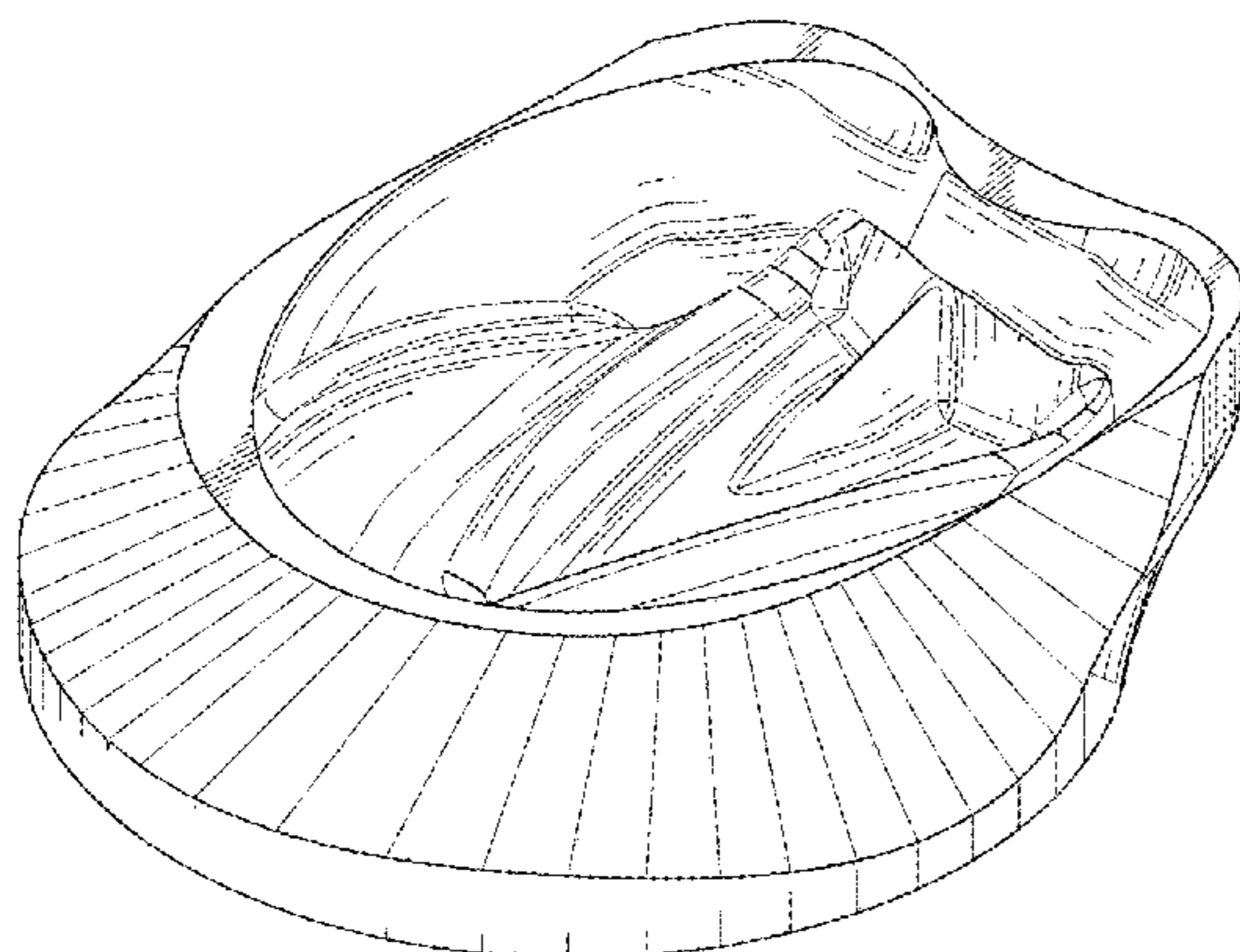
(57) **CLAIM**

The ornamental design for an ungulate shoe, as shown and described.

DESCRIPTION

FIG. 1 is a top, front, left perspective view of an ungulate shoe, showing our new design;
FIG. 2 is a bottom, rear, right perspective view thereof;
FIG. 3 is a top plan view thereof;
FIG. 4 is a front elevation view thereof;
FIG. 5 is a rear elevation view thereof;
FIG. 6 is a bottom plan view thereof;
FIG. 7 is a left elevation view thereof;
FIG. 8 is a right elevation view thereof; and,
FIG. 9 is a left cross-sectional view thereof, taken in the direction of line 9-9 of FIG. 4.

1 Claim, 4 Drawing Sheets



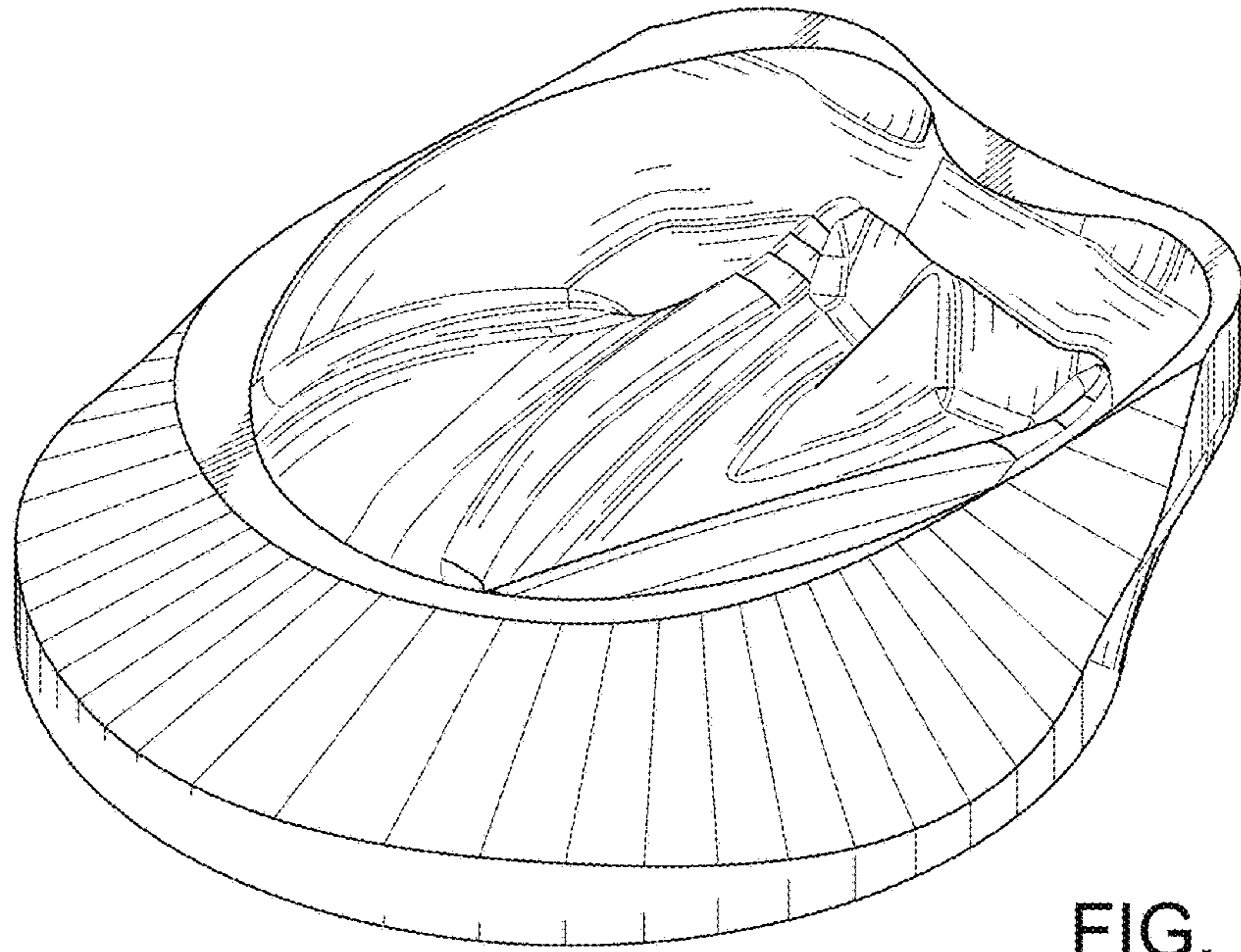


FIG. 1

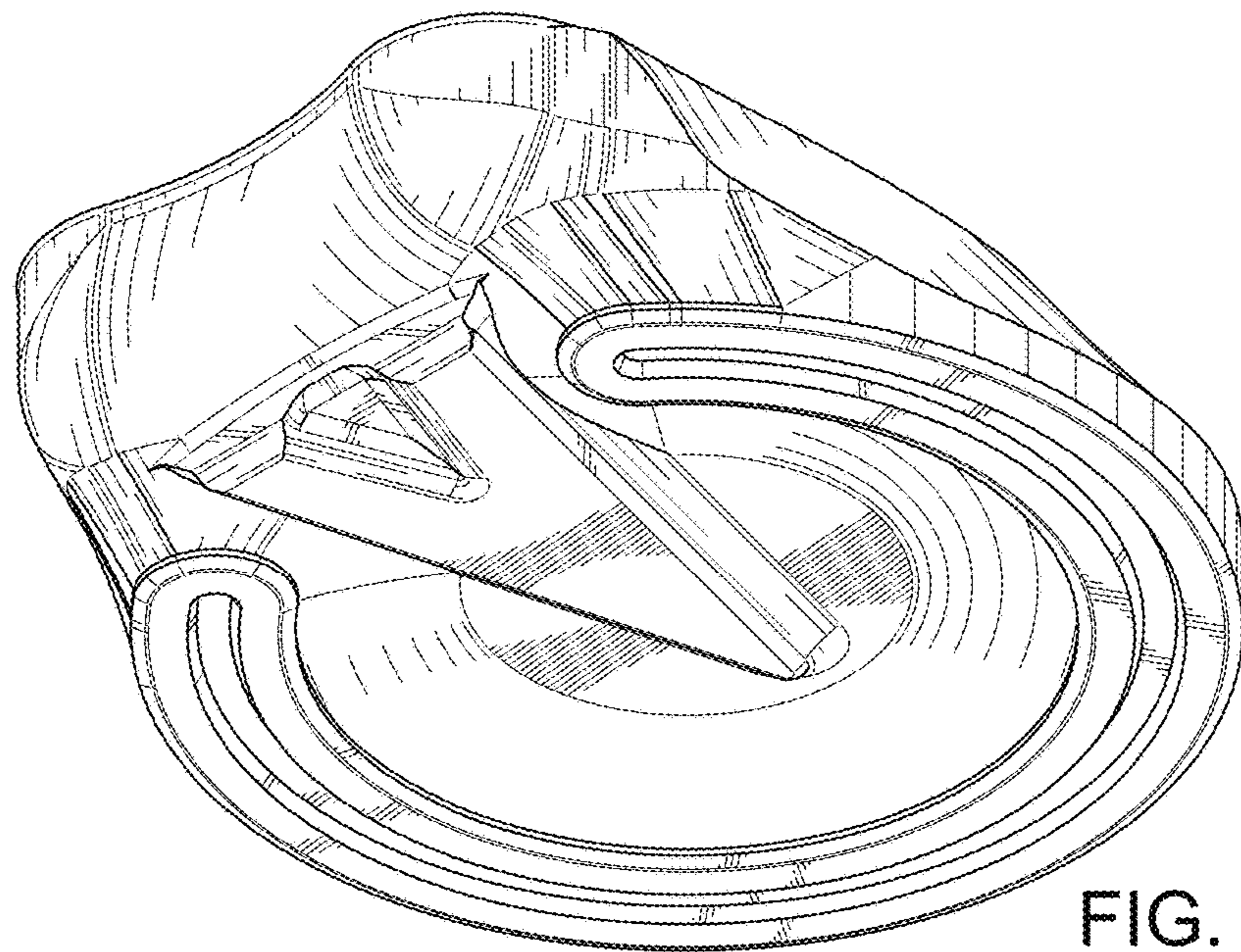


FIG. 2

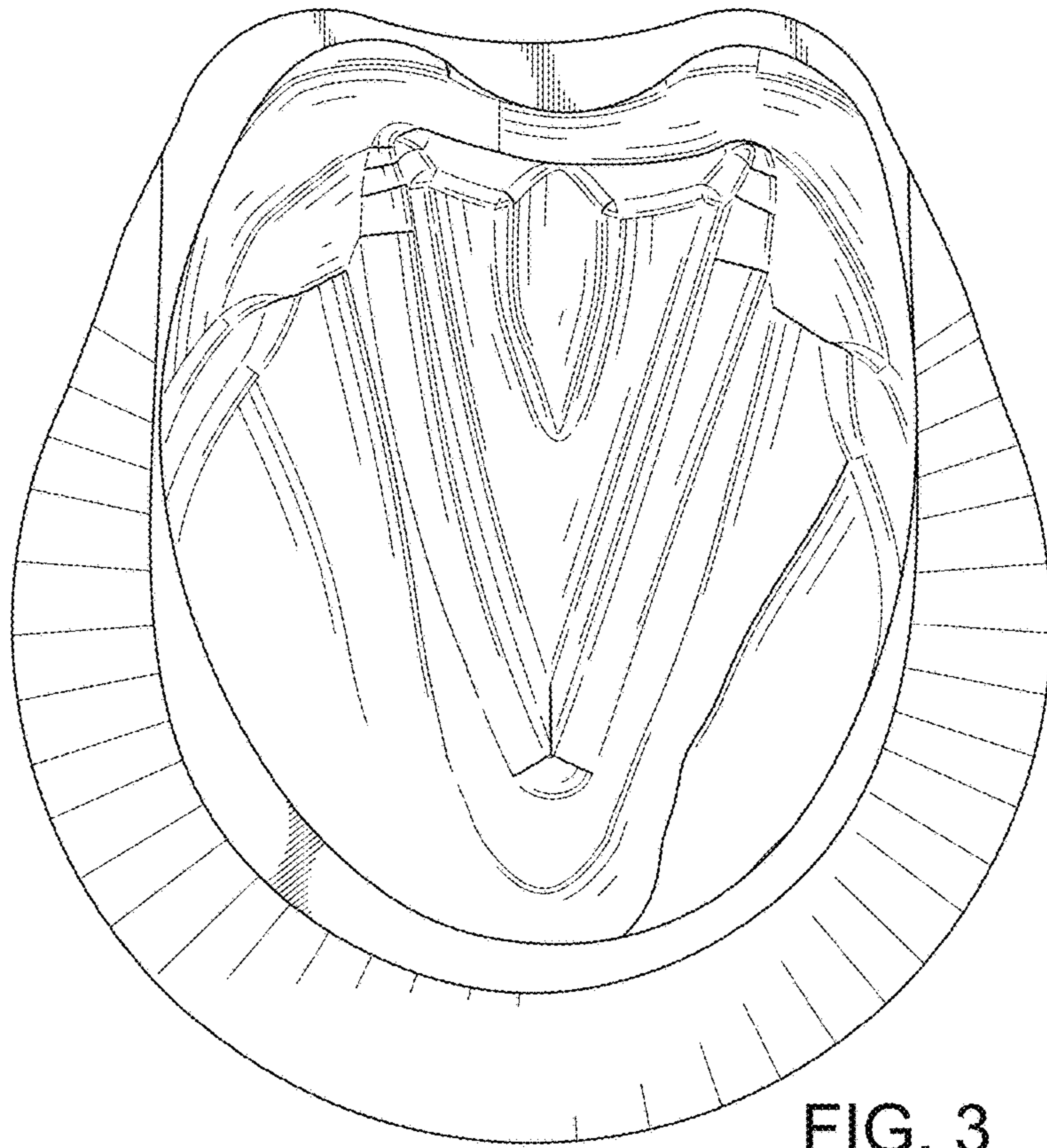
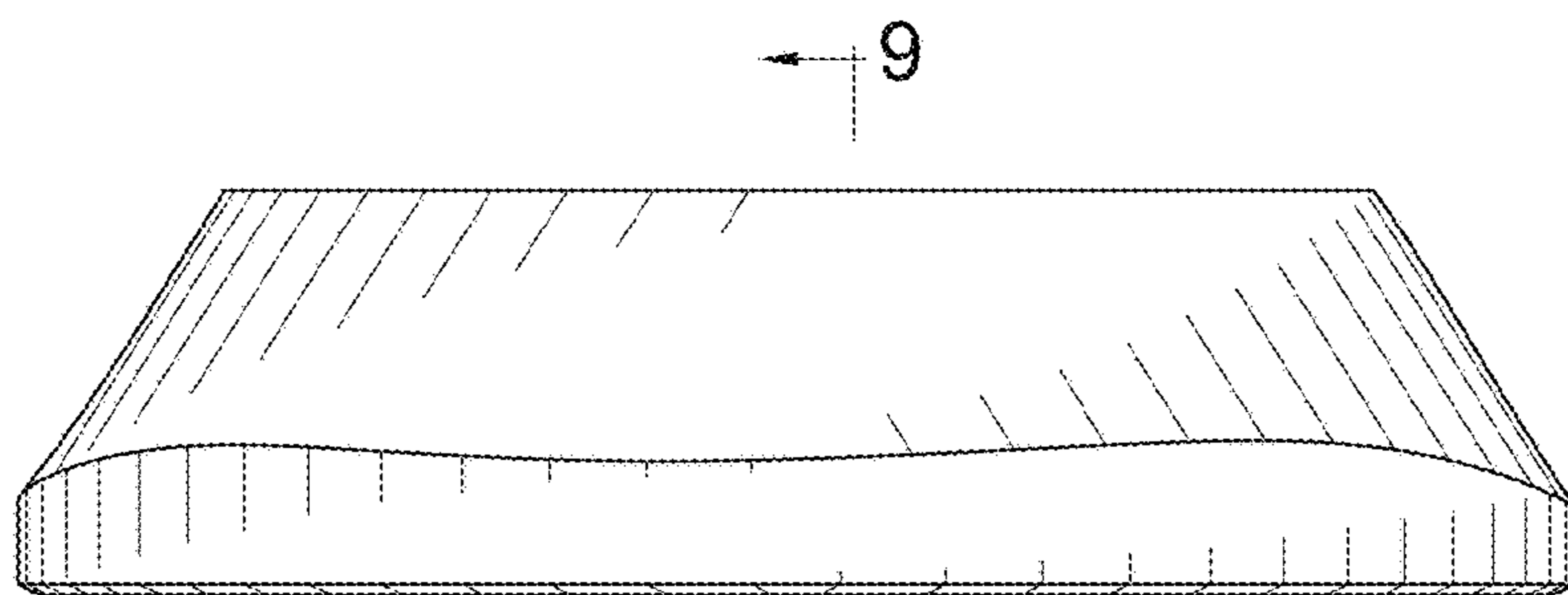


FIG. 3



9

9

FIG. 4

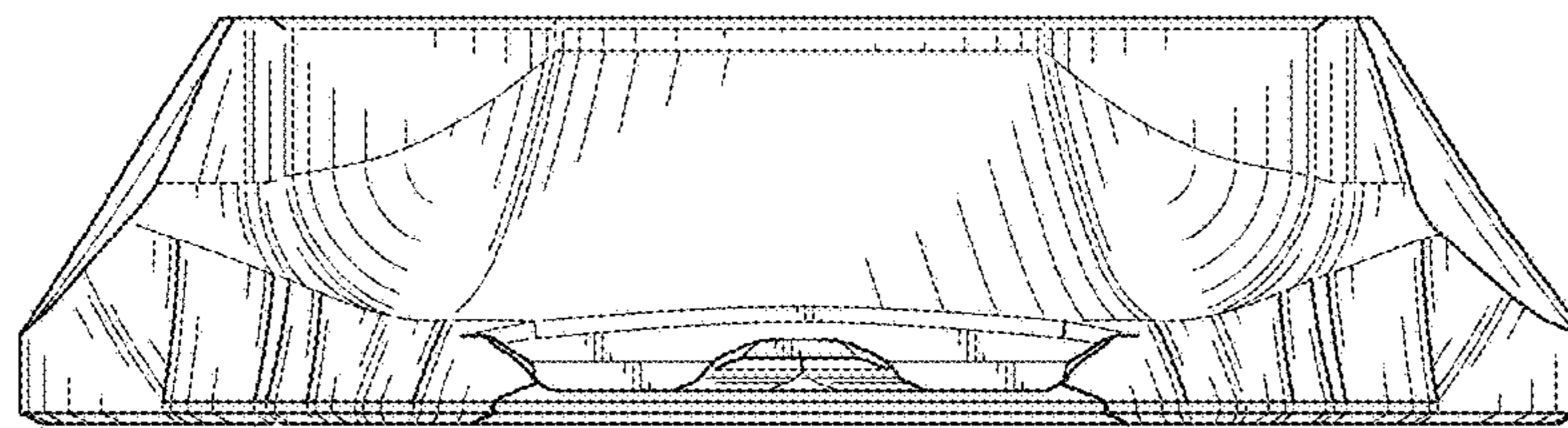


FIG. 5

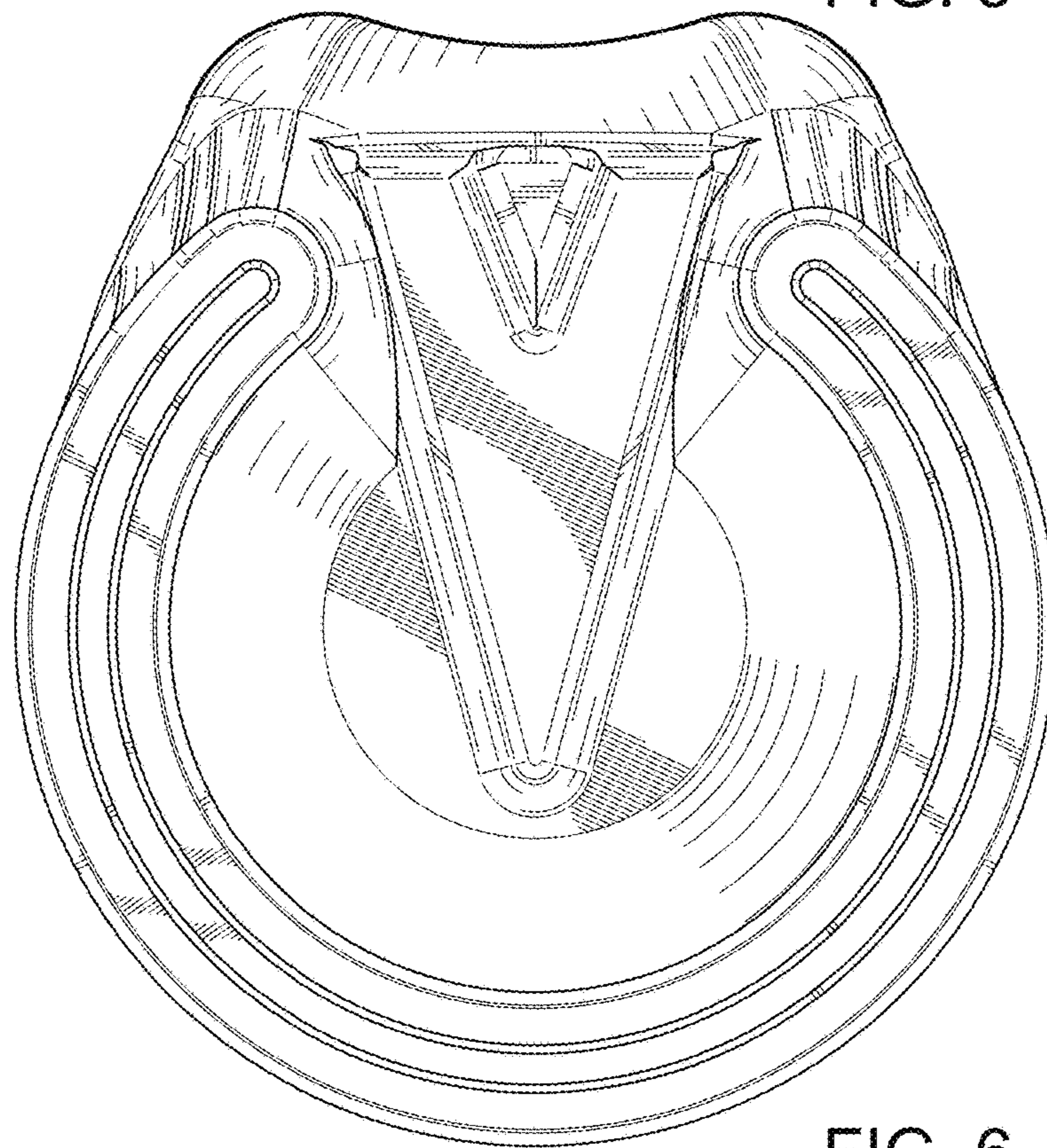


FIG. 6

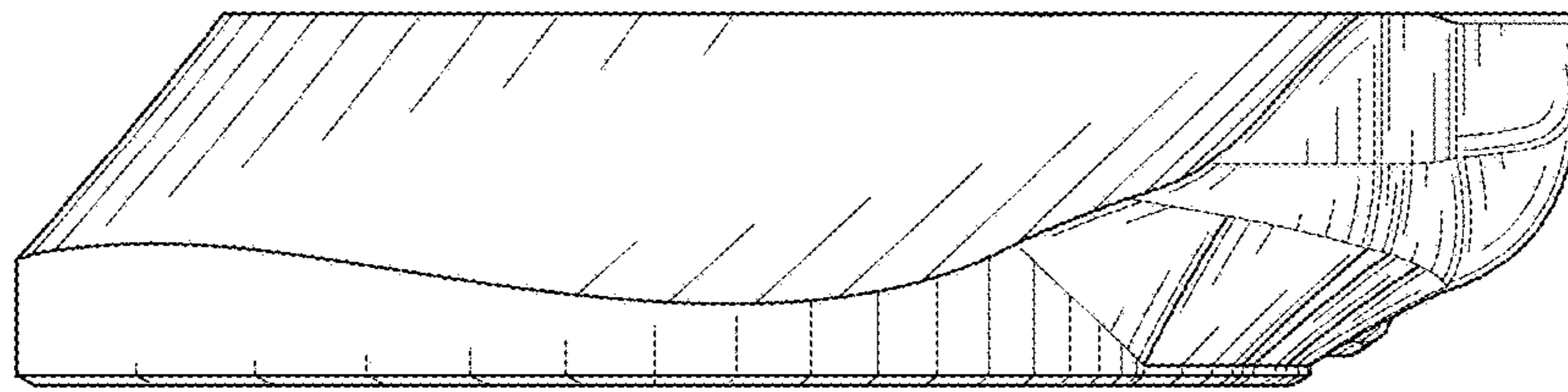


FIG. 7

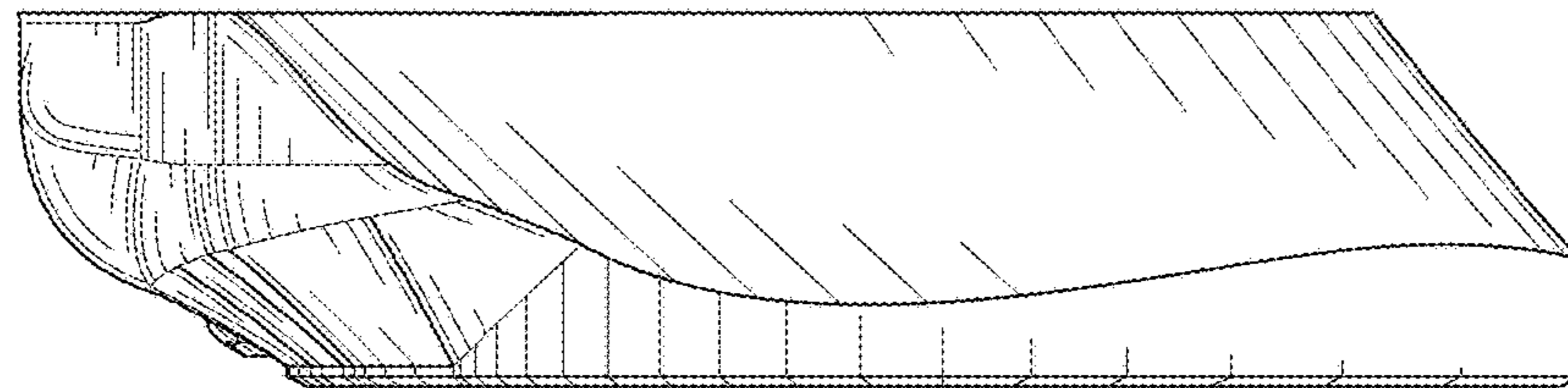


FIG. 8

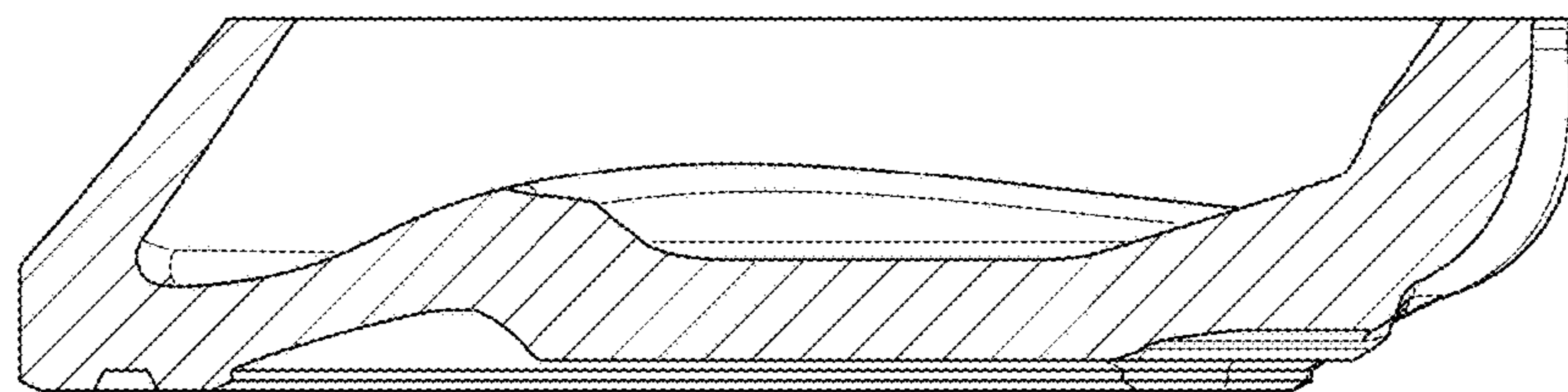


FIG. 9