

US00D867681S

(12) **United States Design Patent** (10) **Patent No.:** **US D867,681 S**
Yun (45) **Date of Patent:** **** Nov. 19, 2019**

(54) **DOG GARMENT**

(71) Applicant: **Yeu Hoon Yun**, Los Angeles, CA (US)

(72) Inventor: **Yeu Hoon Yun**, Los Angeles, CA (US)

(**) Term: **15 Years**

(21) Appl. No.: **29/622,809**

(22) Filed: **Oct. 19, 2017**

(51) **LOC (12) Cl.** **30-01**

(52) **U.S. Cl.**
USPC **D30/145**

(58) **Field of Classification Search**
USPC D30/144, 145, 151, 152, 154;
D29/101.1, 101.3, 101.4; D2/718, 719,
D2/860, 861

CPC A01K 13/006; A01K 27/002
See application file for complete search history.

(56) **References Cited**

U.S. PATENT DOCUMENTS

2,273,706	A *	2/1942	Hafner	A01K 13/006 54/79.1
D397,533	S *	8/1998	Lidis	D30/145
D574,560	S *	8/2008	Shaw	D30/145
D634,487	S *	3/2011	Cohen	D30/145
D653,410	S *	1/2012	Morton	D30/152
D655,055	S *	2/2012	Toll	D30/145
D679,872	S *	4/2013	Rissanen	D30/145
D801,007	S *	10/2017	Pezzimenti	D2/829
2008/0223310	A1 *	9/2008	Remick	A01K 13/006 119/792
2009/0308330	A1 *	12/2009	Kajanoff	A01K 13/006 119/850
2014/0041599	A1 *	2/2014	Sebo	B63C 9/115 119/850
2018/0249673	A1 *	9/2018	Contreras	A01K 1/0263
2018/0263218	A1 *	9/2018	Renforth	A01K 27/002

OTHER PUBLICATIONS

“Gooby Water Resistant Puffer Vest with Side Zipper Closure”. Found online May 2, 2019 at amazon.co.uk. Page dated Sep. 11, 2017. Retrieved from https://www.amazon.co.uk/Gooby-Resistant-Puffer-Closure-X-Large/dp/B075JNQXTC/ref=sr_1_fknull_1?keywords=gooby+puffer&qid=1556847318&s=gateway&sr=8-1-fknull.*

(Continued)

Primary Examiner — Kendra Leslie Hamilton

(74) *Attorney, Agent, or Firm* — Heedong Chae; Lucem, PC

(57) **CLAIM**

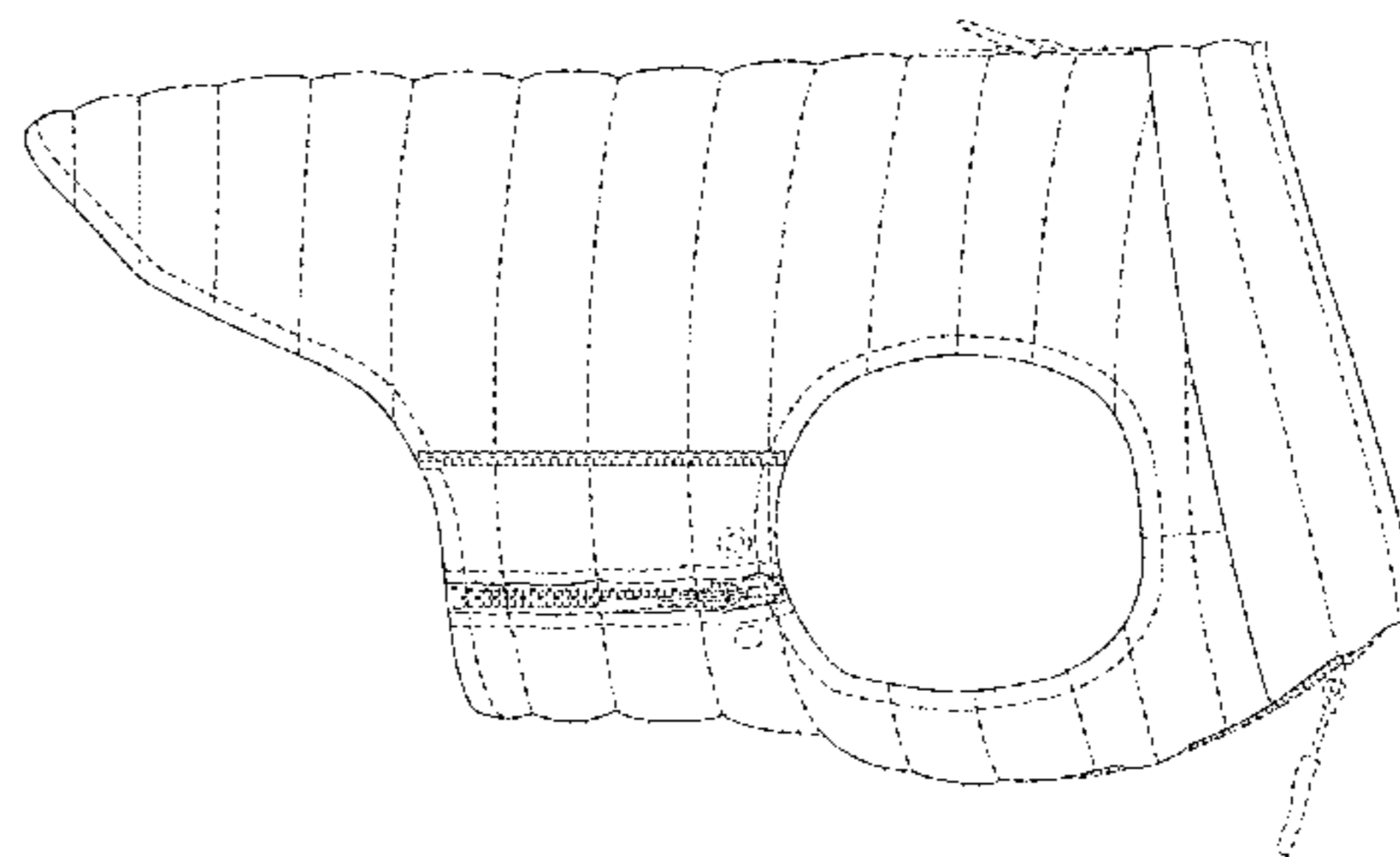
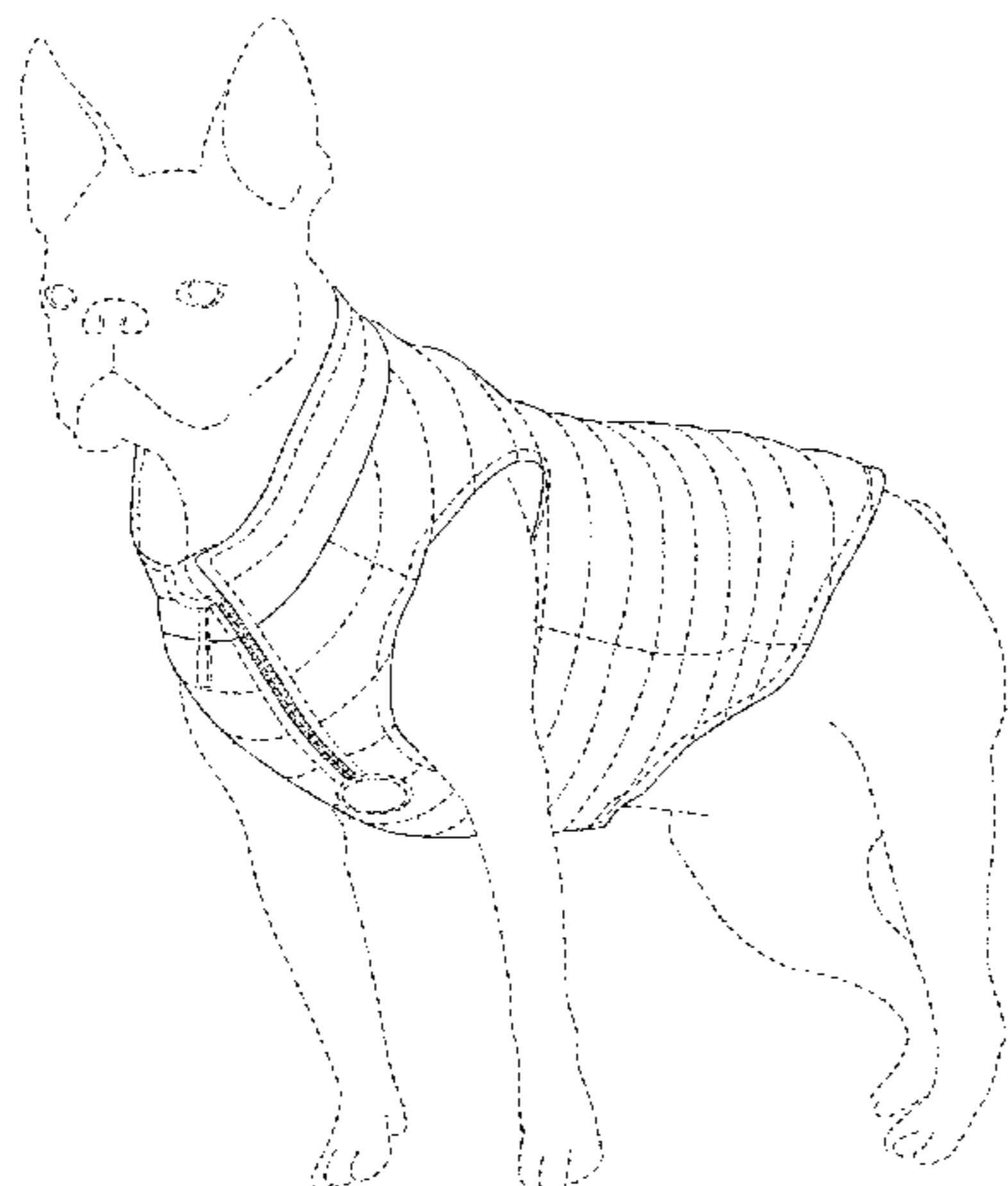
The ornamental design for a dog garment, as shown and described.

DESCRIPTION

FIG. 1 is a top, front, left perspective view of a dog garment, in condition of use on a dog, showing my new design; FIG. 2 is a top, front, left perspective view of the dog garment of FIG. 1, shown enlarged for clarity of disclosure; FIG. 3 is a top, rear, right perspective view thereof; FIG. 4 is a front elevational view thereof; FIG. 5 is a rear elevational view thereof; FIG. 6 is a left side elevational view thereof; FIG. 7 is a right side elevational view thereof; FIG. 8 is a top plan view thereof; and, FIG. 9 is a bottom plan view thereof.

In FIG. 1, the broken line showing of a dog depicts environmental subject matter only and forms no part of the claimed design. In FIGS. 1-9, the broken line showing of garment fasteners/hardware (a zipper and D-rings), a zipper pull and related zipper flaps depicts environmental subject matter only and forms no part of the claimed design. In FIGS. 1-9, the broken line showing on the dog garment depicts stitching and forms no part of the claimed design.

1 Claim, 9 Drawing Sheets



(56)

References Cited

OTHER PUBLICATIONS

“Explawlorer Reversible Reflective Sport Vest”. Found online Jul. 13, 2017 at amazon.com. Page dated Oct. 20, 2016. Retrieved from https://www.amazon.com/EXPAWLORER-Reversible-Reflective-Winter-Clothes/dp/B01GY2LT84/ref=cm_cr_arp_d_product_top?ie=UTF8.*

“Kurgo Loft Dog Jacket”. Found online Jul. 19, 2017 at amazon.com. Page dated Jan. 11, 2014. Retrieved from https://www.amazon.com/Kurgo-Chilli-Outdoor-Jacket-Large/dp/B00QL4E0G4/ref=cm_cr_arp_d_product_top?ie=UTF8.*

“Gooby Fashion Quilted Bomber Dog Vest”. Found online May 2, 2019 at amazon.co.uk. Page dated Oct. 13, 2014. Retrieved from https://www.amazon.co.uk/...by-75002C-NVY-L-Fashion-Quilted-Stretchable/dp/B00P076Y8A/ref=sr_1_79?keywords=gooby%2Bfleece&qid=1556850553&s=gateway&sr=8-79&th=1.*

* cited by examiner

FIG. 1

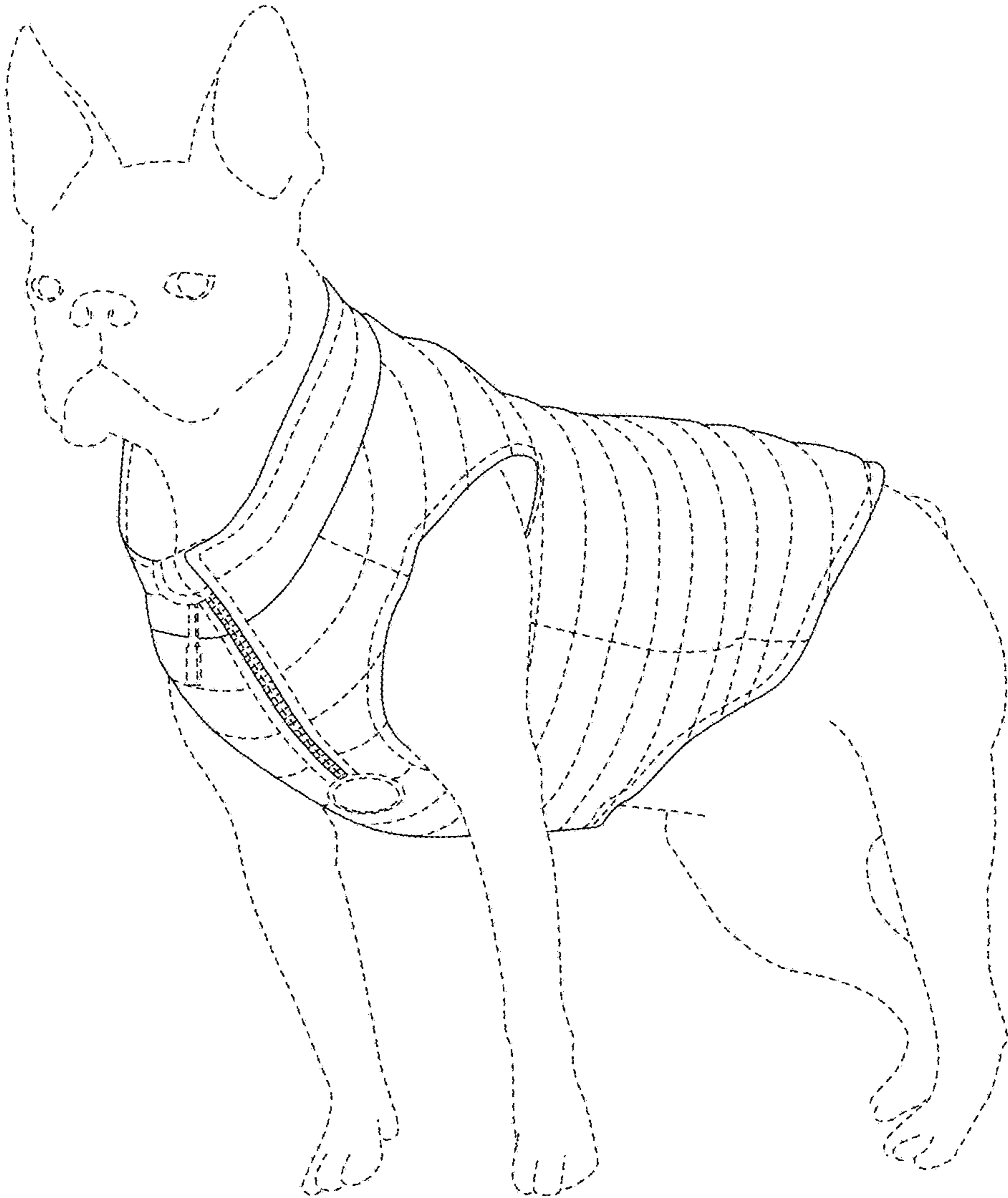


FIG. 2

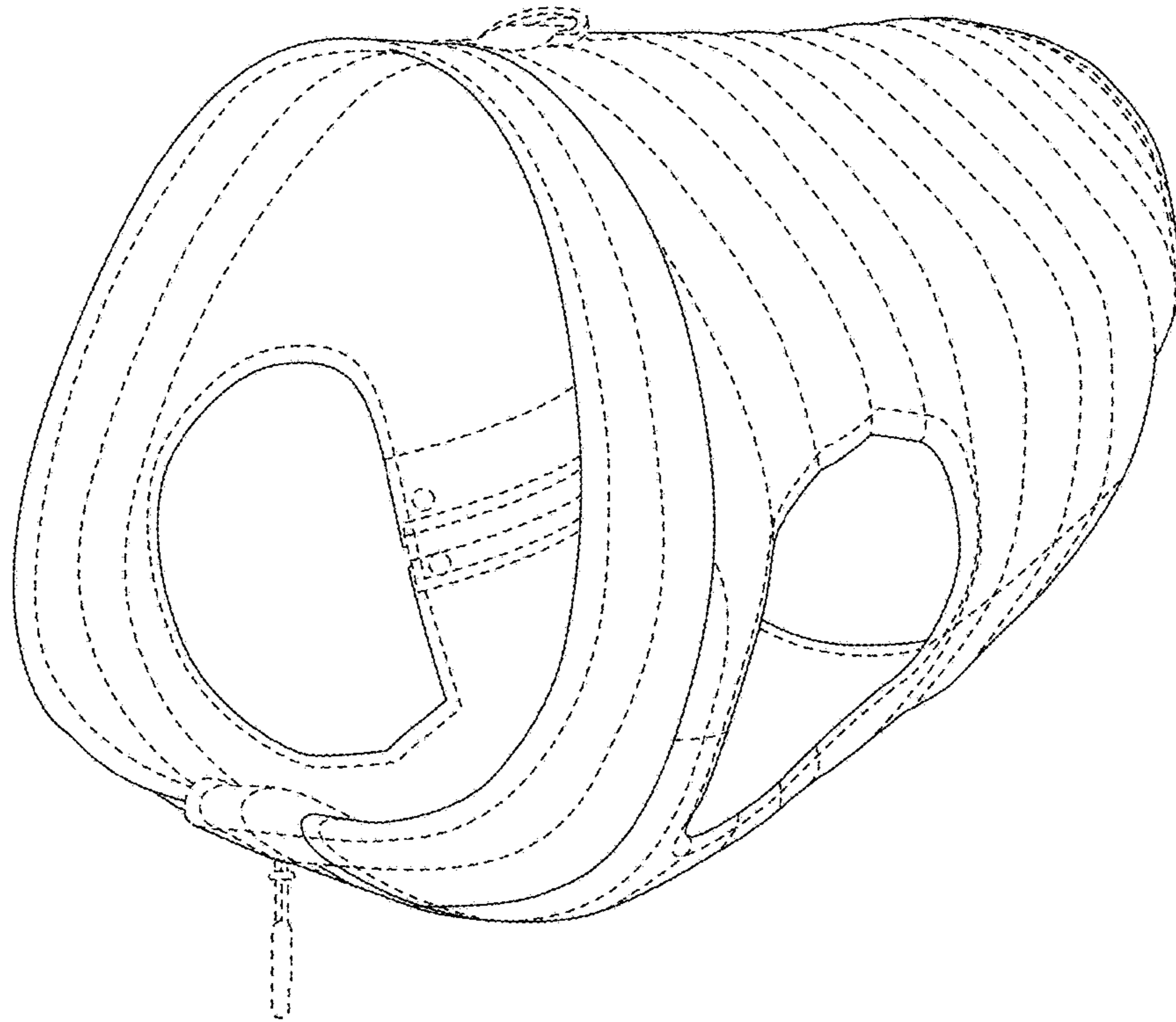


FIG. 3

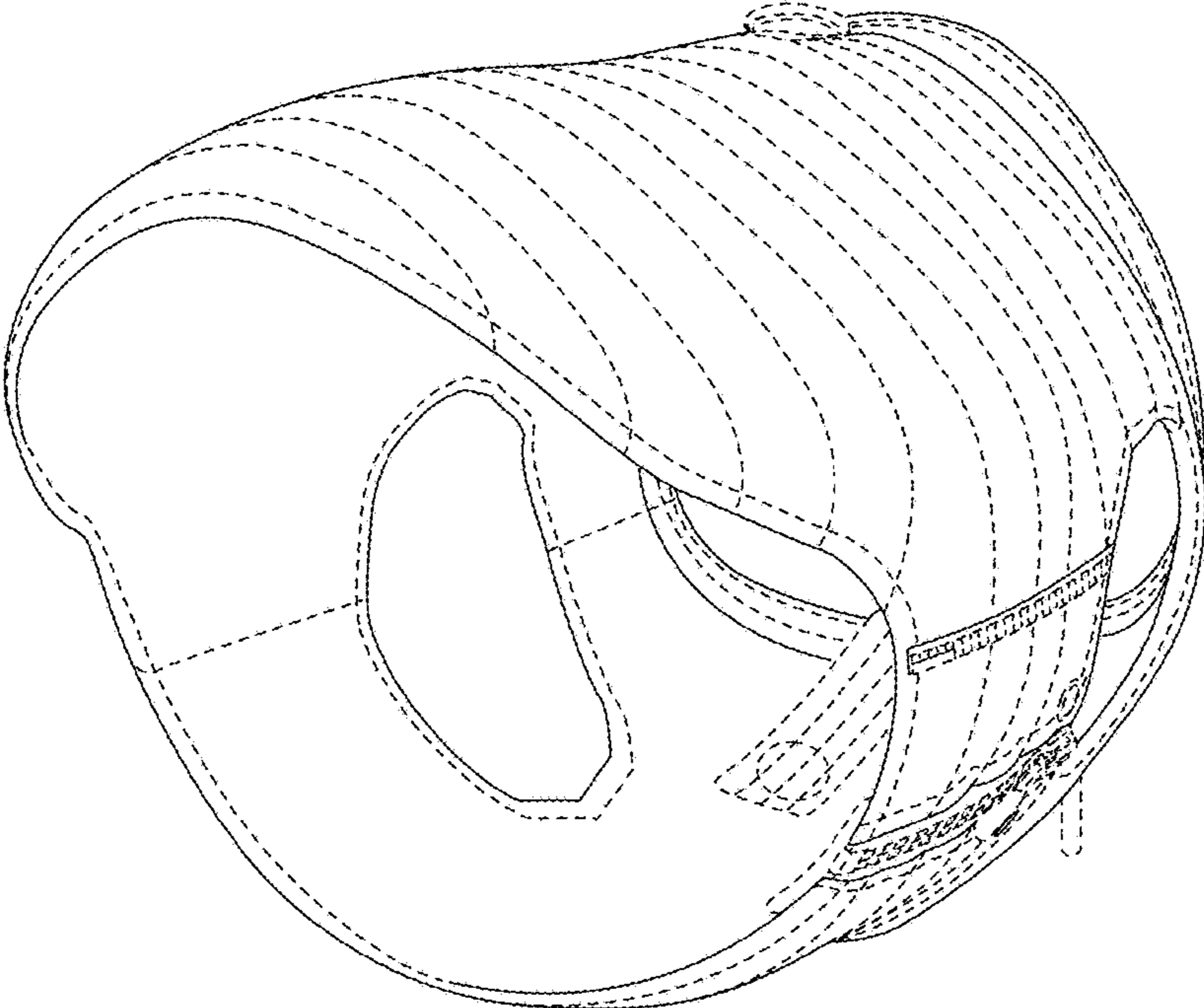


FIG. 4

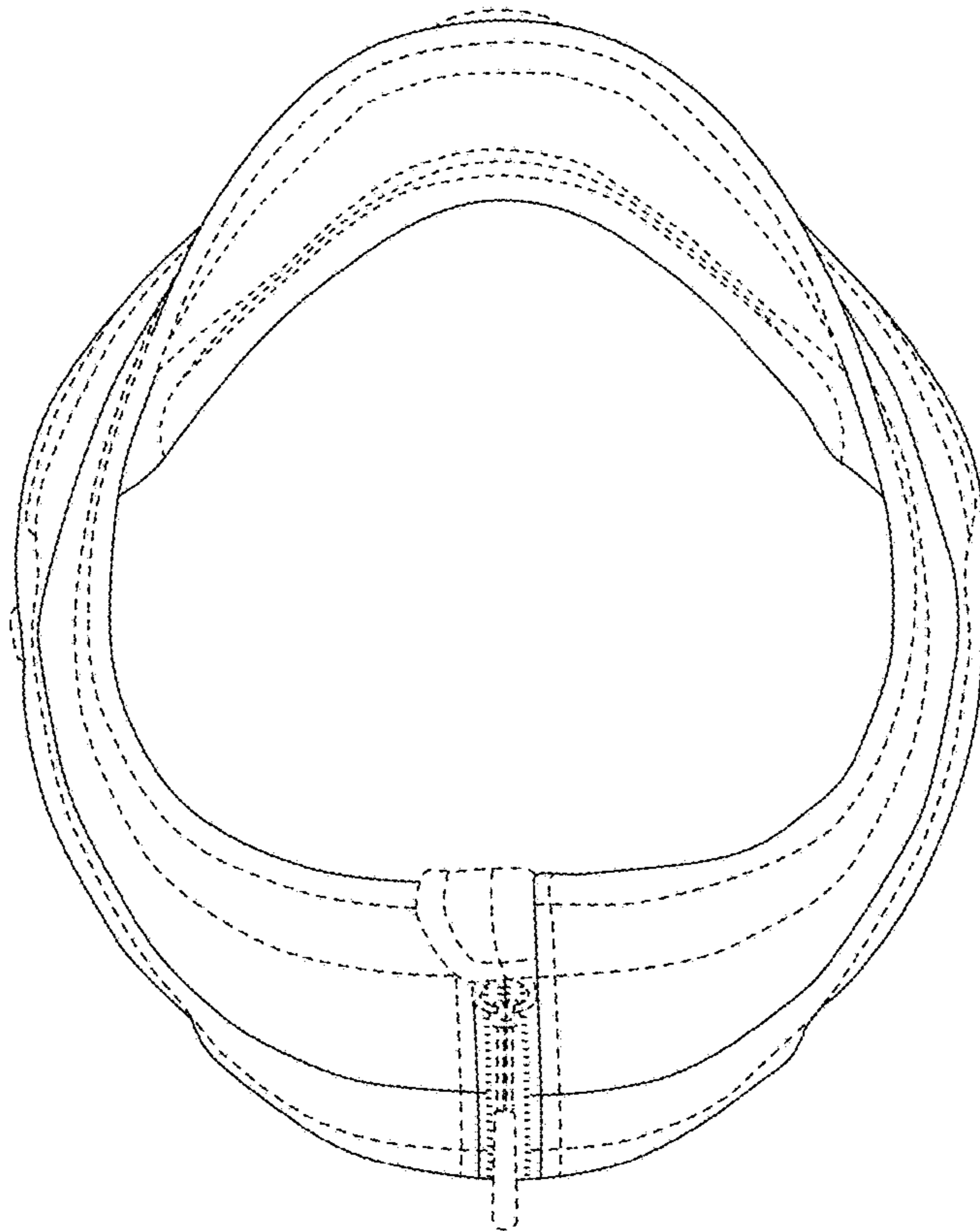


FIG. 5

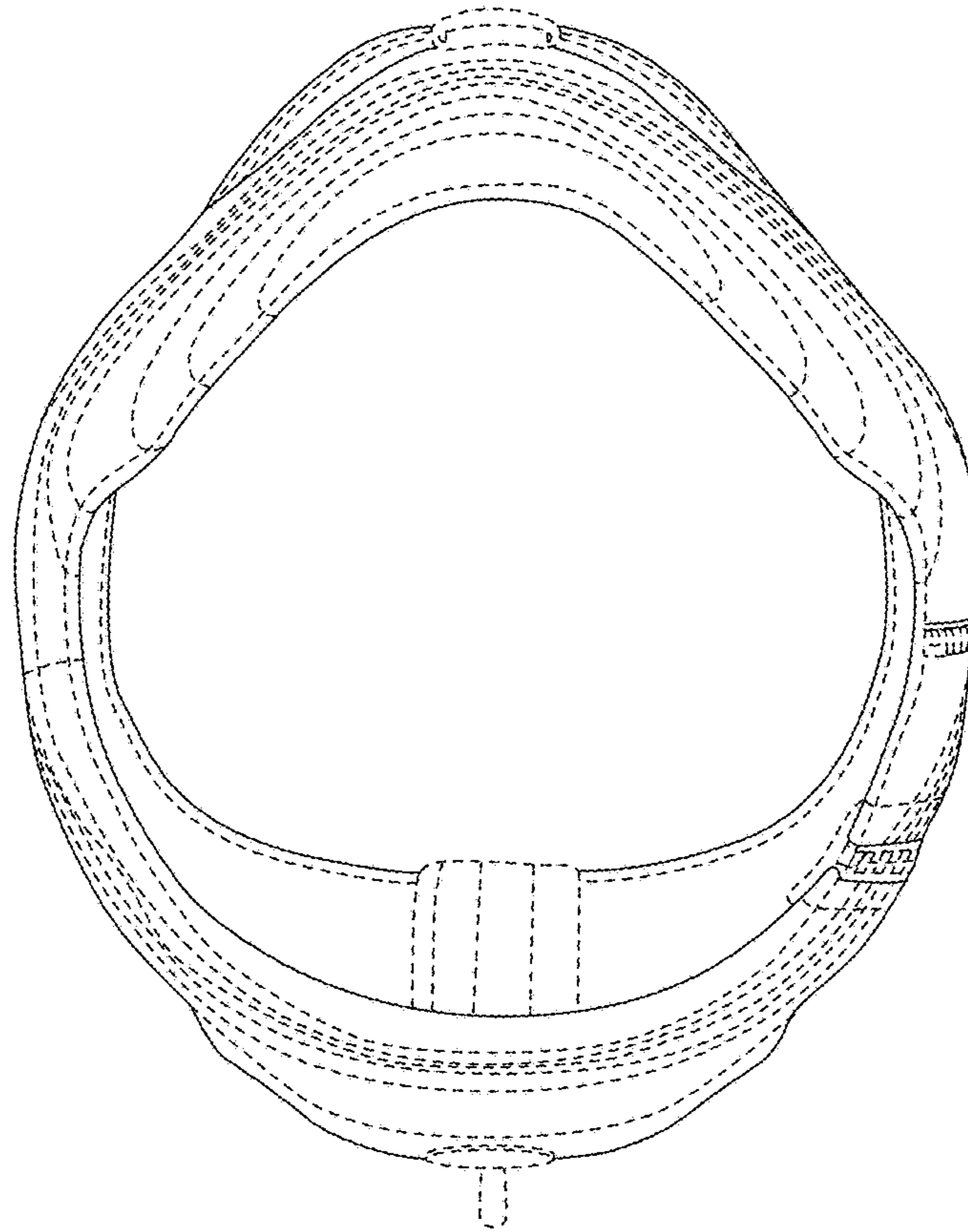


FIG. 6

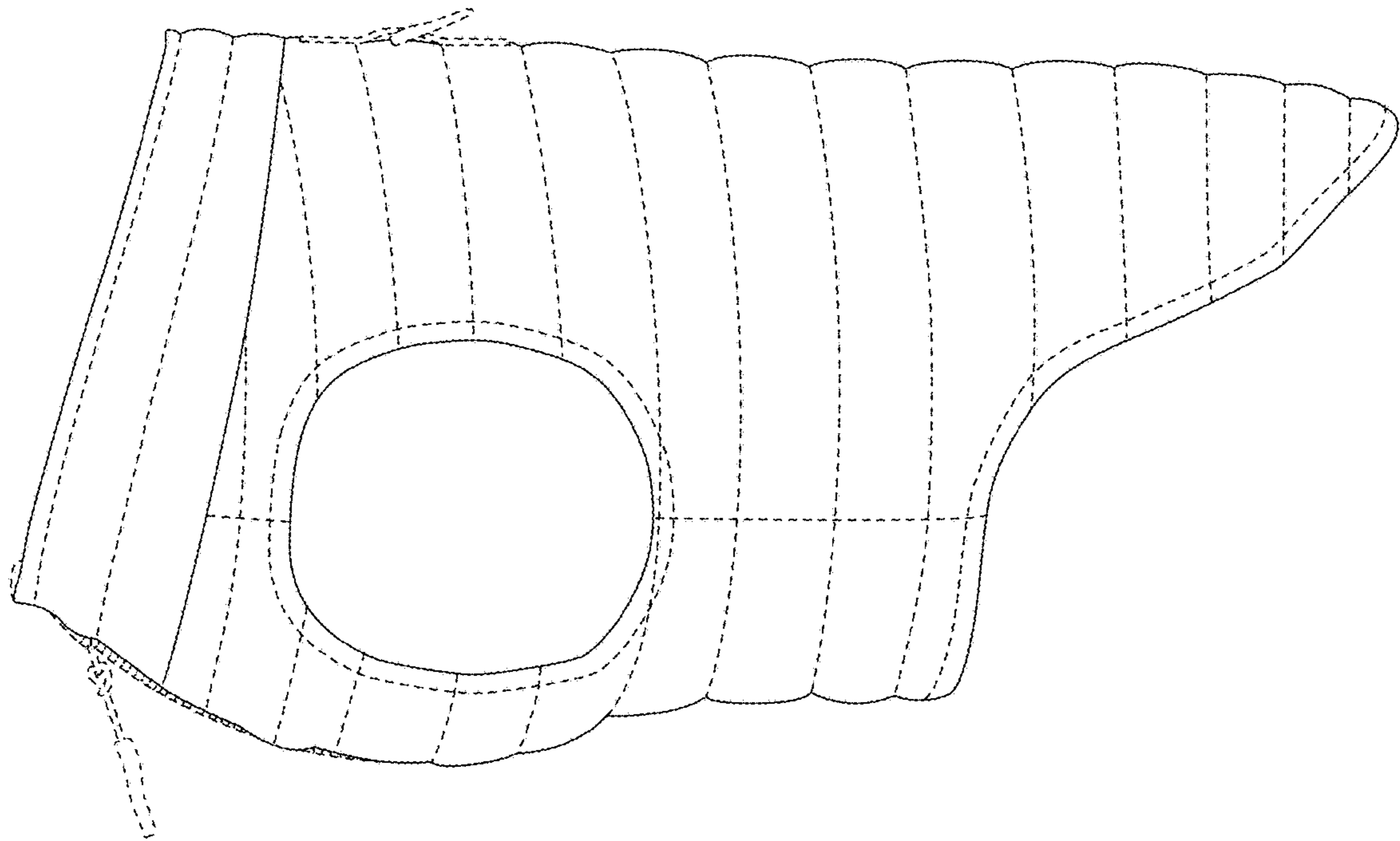


FIG. 7

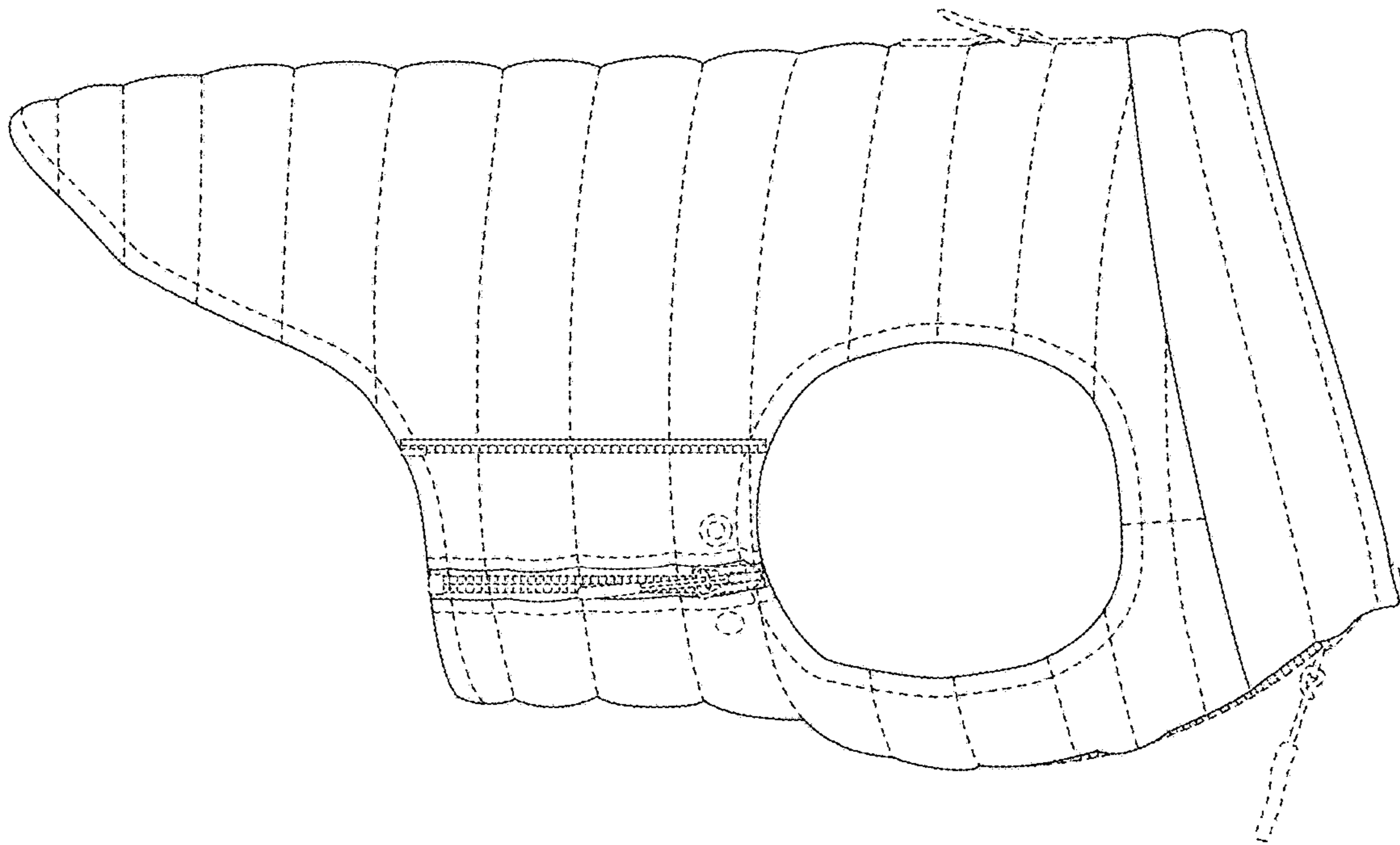


FIG. 8

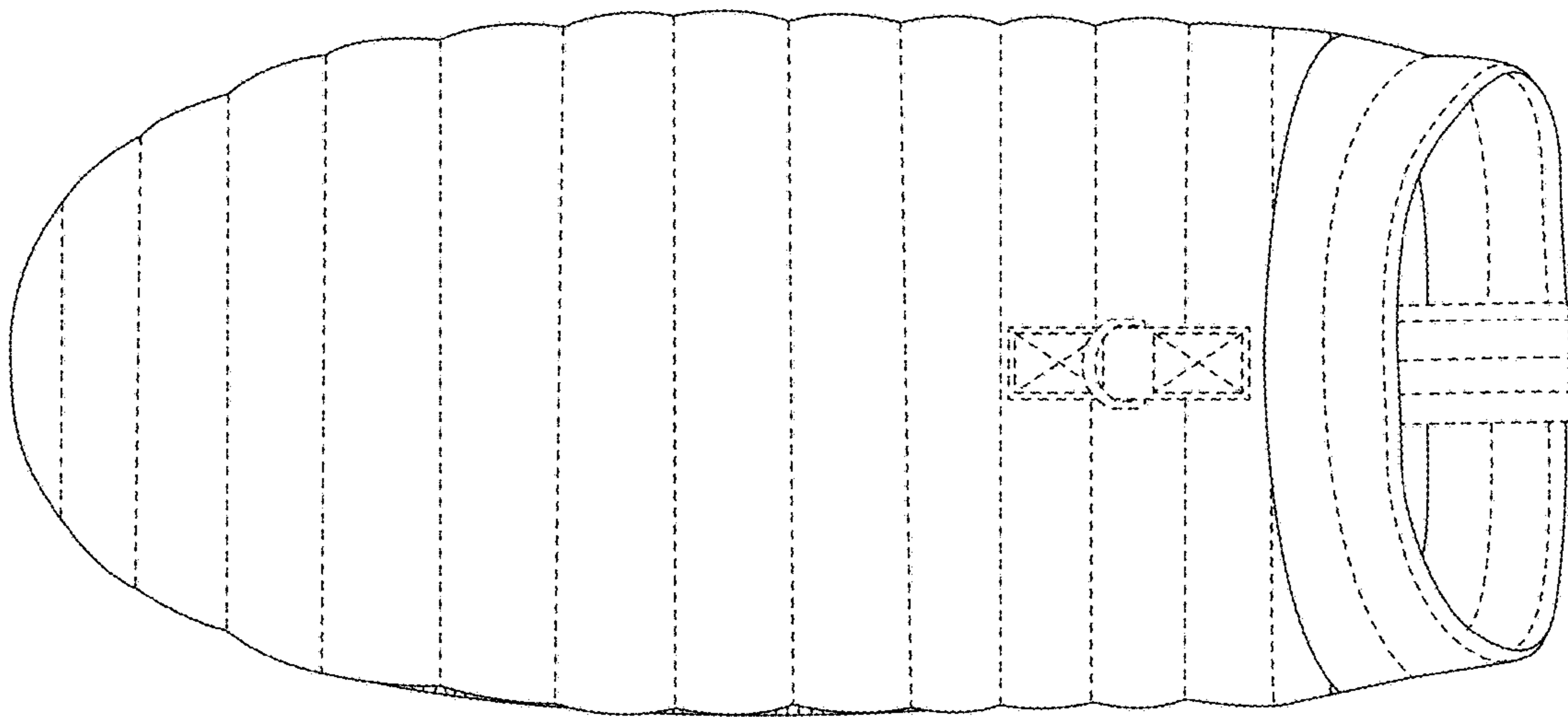


FIG. 9

