

US00D867678S

(12) **United States Design Patent**
Wu et al.

(10) **Patent No.:** **US D867,678 S**
(45) **Date of Patent:** **** Nov. 19, 2019**

(54) **PET FEEDING DEVICE**

FOREIGN PATENT DOCUMENTS

- (71) Applicant: **Acer Incorporated**, New Taipei (TW)
- (72) Inventors: **Ming-Cheng Wu**, New Taipei (TW);
Yi-Heng Lee, New Taipei (TW)
- (73) Assignee: **Acer Incorporated**, New Taipei (TW)
- (**) Term: **15 Years**

CN	202565936	12/2012
CN	106135041	11/2016
CN	205756356	12/2016

Primary Examiner — Susan Moon Lee
(74) *Attorney, Agent, or Firm* — JCIPRNET

(21) Appl. No.: **29/638,182**

(57) **CLAIM**

(22) Filed: **Feb. 25, 2018**

The ornamental design for a pet feeding device, as shown and described.

(30) **Foreign Application Priority Data**

Aug. 28, 2017 (TW) 106304977

(51) **LOC (12) Cl.** **30-07**

(52) **U.S. Cl.**
USPC **D30/122**

(58) **Field of Classification Search**

USPC D30/121, 122, 129–133; 119/61.5, 51.01, 119/61.56, 51.03, 59, 62, 63, 51.5, 57.8, 119/74, 61.54, 61.55, 53, 53.5, 75, 56.2, 119/51.02, 51.11, 51.12, 57.1, 52.1, 515; 312/204; 248/151, 188; 108/156, 108/153.1–157; 220/23.87, 630, 737, 220/743, 9.4, 495.01, 574, 212, 255, 220/23.83; 206/515; D7/586, 543, D7/550.1, 587, 505, 584, 545, 500, D7/553.1–553.8, 546, 555, 556, 504, 565, D7/562, 602, 605, 312, 313, 320, 307, D7/306, 309, 354, 311, 399, 397, 323, D7/332, 331, 347, 346, 322, 318, 317, D7/316, 619.1; D9/429; 43/109;

(Continued)

(56) **References Cited**

U.S. PATENT DOCUMENTS

D180,928 S * 9/1957 Bliss D7/608
3,645,007 A * 2/1972 Scott A45D 20/44
34/60

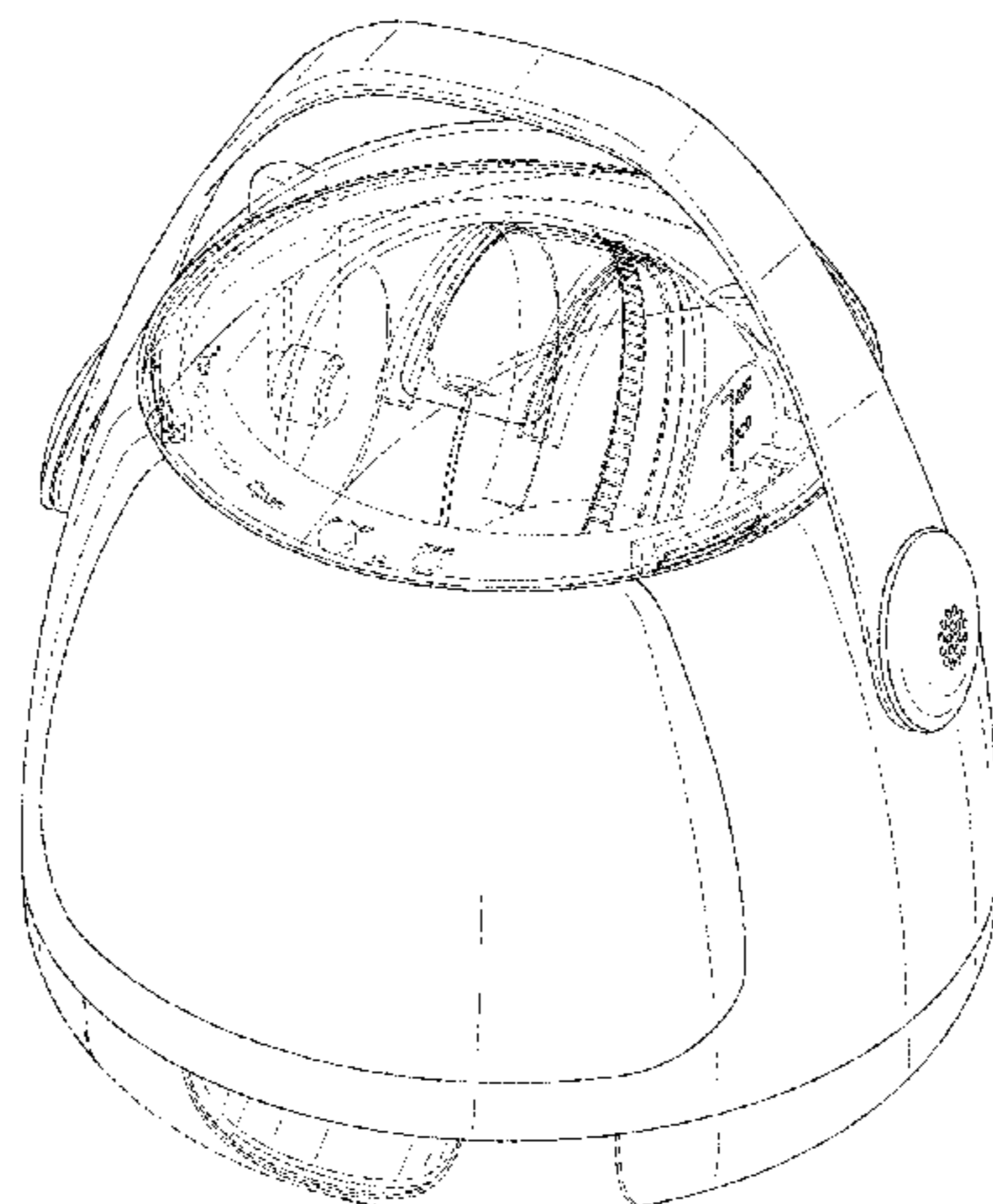
(Continued)

DESCRIPTION

FIG. 1 is a perspective view of a pet feeding device showing our new design;
FIG. 2 is a front view thereof;
FIG. 3 is a rear view thereof;
FIG. 4 is a left side view thereof;
FIG. 5 is a right side view thereof;
FIG. 6 is a top view thereof;
FIG. 7 is a bottom view thereof;
FIG. 8 is perspective view showing an opened drawer of the pet feeding device;
FIG. 9 is an exploded view showing a transparent cover being taken away from a body of the pet feeding device;
FIG. 10 is another exploded view showing the transparent cover and a transparent rolling ball being taken away from the body respectively;
FIG. 11 is an enlarged view of the transparent cover in FIG. 10; and,
FIG. 12 is an enlarged view of the transparent rolling ball in FIG. 10.

The broken lines depict unclaimed features of the pet feeding device that form no part of the design claim but are shown for purposes of illustration.

1 Claim, 12 Drawing Sheets



US D867,678 S

(58) Field of Classification Search

USPC D22/122; 99/430, DIG. 15, 280, 285,
 99/312; 222/209, 131, 363, 349, 517,
 222/153.13, 401, 1, 146.5, 23, 54, 64, 51,
 222/156, 399, 400.8; 219/438, 439, 441,
 219/385, 386, 402, 407; 210/94, 184,
 210/474, 477; D34/7-10, 1; D14/300,
 D14/301, 302, 308, 314, 356-359, 363,
 D14/370, 420, 421, 439, 172, 188, 203.1,
 D14/204, 214, 221, 242, 299, 168, 197,
 D14/205, 210; D15/122, 135, 82;
 D18/50; D28/38

CPC A01K 5/02; A01K 5/0225; A01K 5/0114;
 A01K 5/025; A01K 5/0266; A01K
 5/0275; A01K 5/0283; A01K 5/0291;
 A01K 5/0258; A01K 7/00; G01F 11/24;
 G01F 23/02; B67D 1/0425; B67D 1/04;
 B67D 1/00; B67D 1/02; B67D 1/0871;
 B67D 1/0802; A47J 41/0033; A47J
 41/005; A47J 41/0088; A47J 41/0094;
 A47J 31/04; A47J 31/053; B05B 11/00;
 B05B 11/0002; B05B 11/0005; B05B
 11/001; C02F 1/003; C02F 1/283; C02F
 2307/02

See application file for complete search history.

(56) References Cited

U.S. PATENT DOCUMENTS

D261,088 S * 10/1981 Akimov D7/608
 D272,223 S * 1/1984 Daenen D7/629
 D344,549 S * 2/1994 Nakazawa D21/311
 D357,766 S * 4/1995 Prince D28/38
 D362,922 S * 10/1995 Prince D28/38
 D363,140 S * 10/1995 Accumanno D28/38
 D369,270 S * 4/1996 Payen D7/323
 D372,252 S * 7/1996 Leong D15/82
 D383,471 S * 9/1997 Hsu D15/82
 5,669,328 A * 9/1997 Lanfranchi A01K 5/02
 119/51.12
 D391,450 S * 3/1998 Rausch D7/605
 D397,828 S * 9/1998 Kip D28/38
 5,954,011 A * 9/1999 Martinez A01K 5/025
 119/62
 D465,470 S * 11/2002 Ng D14/171
 D510,238 S * 10/2005 Yen D7/378
 D517,748 S * 3/2006 Martin D30/122
 D530,141 S * 10/2006 Wilgus D7/313
 D534,190 S * 12/2006 Ball D15/82
 7,166,047 B2 * 1/2007 May A63B 43/00
 473/569
 D544,293 S * 6/2007 Chan D7/354
 D560,100 S * 1/2008 Wang D7/603
 D560,101 S * 1/2008 Wang D7/603
 7,395,782 B1 * 7/2008 Lindsay A01K 5/0114
 119/51.02
 D583,109 S * 12/2008 Lindsay D30/122
 D622,089 S * 8/2010 Daniel D7/313

D622,093 S * 8/2010 Reiner D7/354
 7,827,935 B1 * 11/2010 Addleman A01K 5/0142
 119/51.02
 7,874,265 B1 * 1/2011 Addleman A01K 5/025
 119/59
 7,895,973 B1 * 3/2011 Whelan A01K 5/025
 119/51.02
 D660,657 S * 5/2012 Picozza D7/629
 D692,718 S * 11/2013 Verbrugge D7/354
 D711,679 S * 8/2014 Day D7/354
 D719,397 S * 12/2014 Krooshof D7/354
 D731,124 S * 6/2015 Shin D30/122
 D739,614 S * 9/2015 Ausman D30/121
 D741,115 S * 10/2015 Lane D7/608
 D741,379 S * 10/2015 Esarey D15/82
 D782,253 S * 3/2017 Boroski D7/608
 9,596,831 B2 * 3/2017 Christensen A01K 15/025
 D784,093 S * 4/2017 Boroski D7/608
 D789,730 S * 6/2017 Jozancy D7/354
 D791,530 S * 7/2017 de Ceglie D7/354
 D798,118 S * 9/2017 Karagkouni D7/608
 D801,103 S * 10/2017 Krooshof D7/354
 D802,986 S * 11/2017 Krooshof D7/354
 D805,853 S * 12/2017 Waskow D7/608
 D807,107 S * 1/2018 Garman D7/354
 D814,232 S * 4/2018 Barquin D7/354
 D820,031 S * 6/2018 Zhang D7/354
 D841,388 S * 2/2019 Zhang D7/354
 D843,789 S * 3/2019 Boroski D7/608
 D844,369 S * 4/2019 De' Longhi D7/354
 D844,875 S * 4/2019 Jeon D26/51
 2002/0134313 A1 * 9/2002 Andrew King A01K 5/025
 119/51.02
 2002/0139312 A1 * 10/2002 Reitz A01K 1/0114
 119/165
 2004/0200426 A1 * 10/2004 Drummond A01K 5/0114
 119/166
 2005/0217591 A1 * 10/2005 Turner A01K 5/0114
 119/51.02
 2006/0219187 A1 * 10/2006 Krishnamurthy A01K 5/0275
 119/719
 2007/0125306 A1 * 6/2007 Beecher A01K 5/0142
 119/51.02
 2008/0274246 A1 * 11/2008 Glucksman A47J 31/20
 426/425
 2010/0139570 A1 * 6/2010 Pfingsten A01K 5/0142
 119/63
 2010/0212600 A1 * 8/2010 Knies A01K 15/02
 119/719
 2010/0307424 A1 * 12/2010 Evans A01K 1/0107
 119/416
 2011/0226187 A1 * 9/2011 Bertsch A01K 5/0114
 119/61.55
 2015/0101543 A1 * 4/2015 Baxter A01K 5/0142
 119/498
 2016/0235035 A1 * 8/2016 Ma A01K 5/0225
 2016/0295836 A1 * 10/2016 Cheng A01K 5/02
 2018/0199541 A1 * 7/2018 Huang A01K 5/0114
 2018/0303062 A1 * 10/2018 Simard A01K 5/0291
 2019/0059319 A1 * 2/2019 Hsiao A01K 5/0114
 2019/0107259 A1 * 4/2019 Doberstein F21L 4/02
 2019/0110448 A1 * 4/2019 Wallmeier A01K 5/02

* cited by examiner

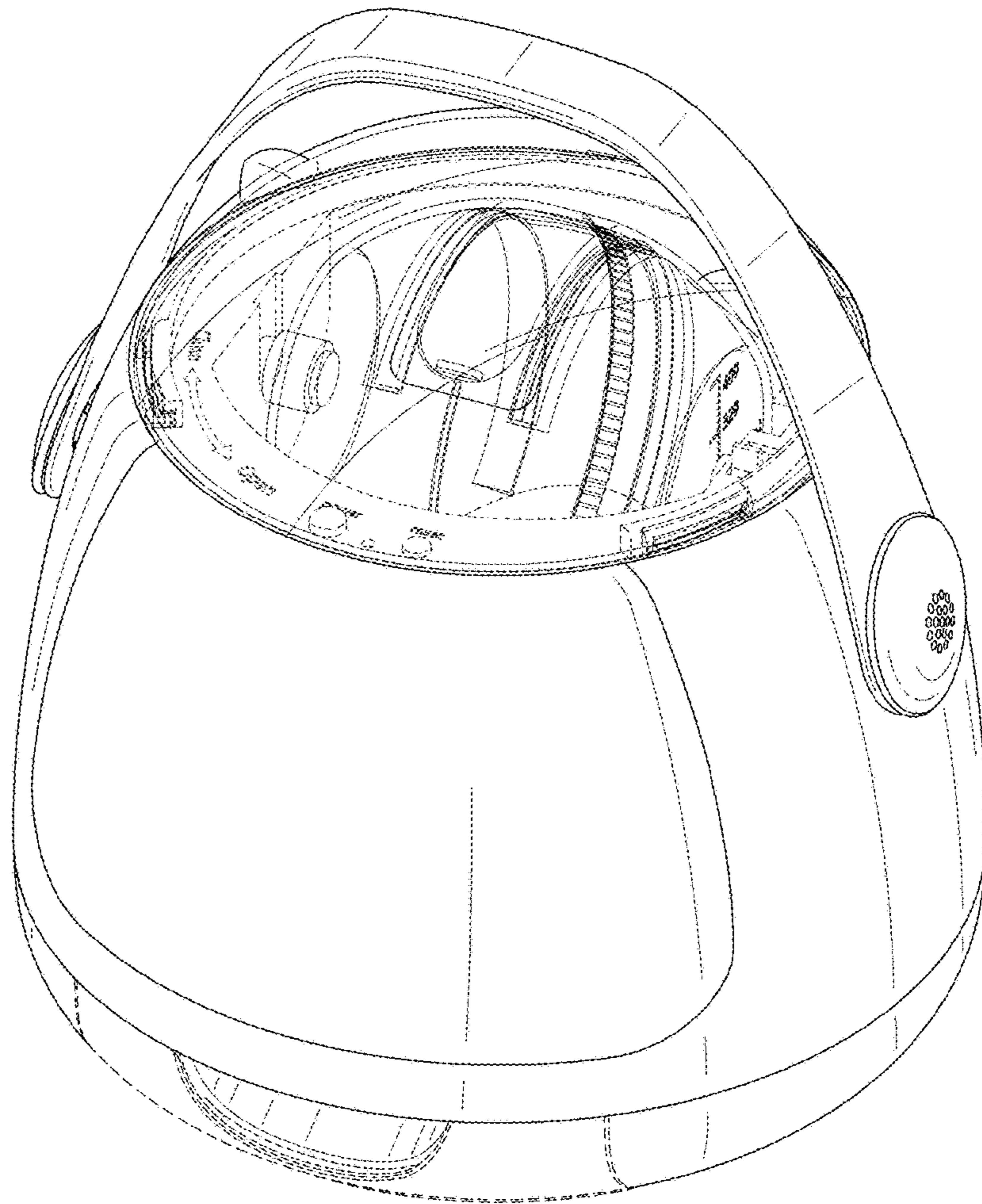


FIG. 1

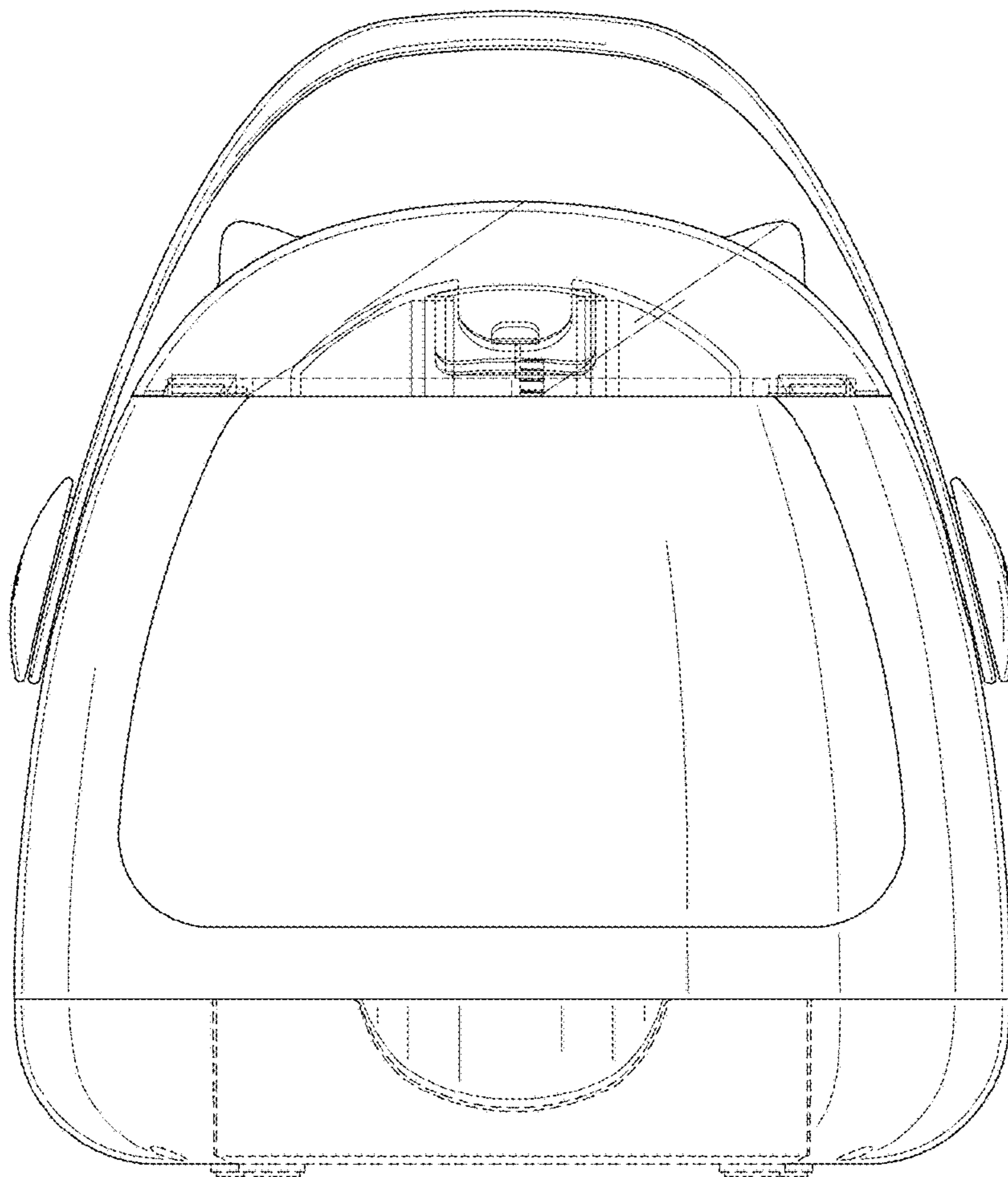


FIG. 2

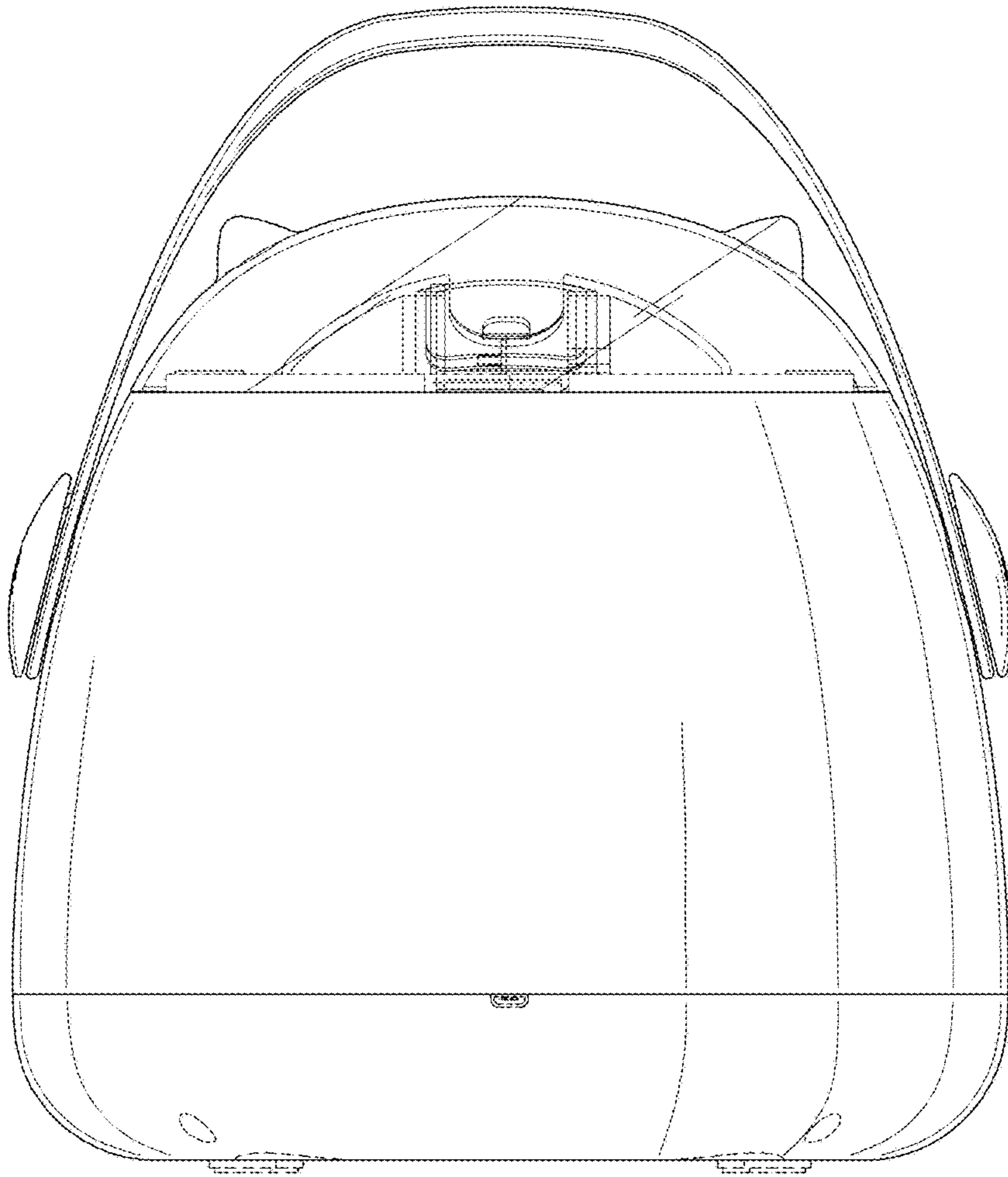


FIG. 3

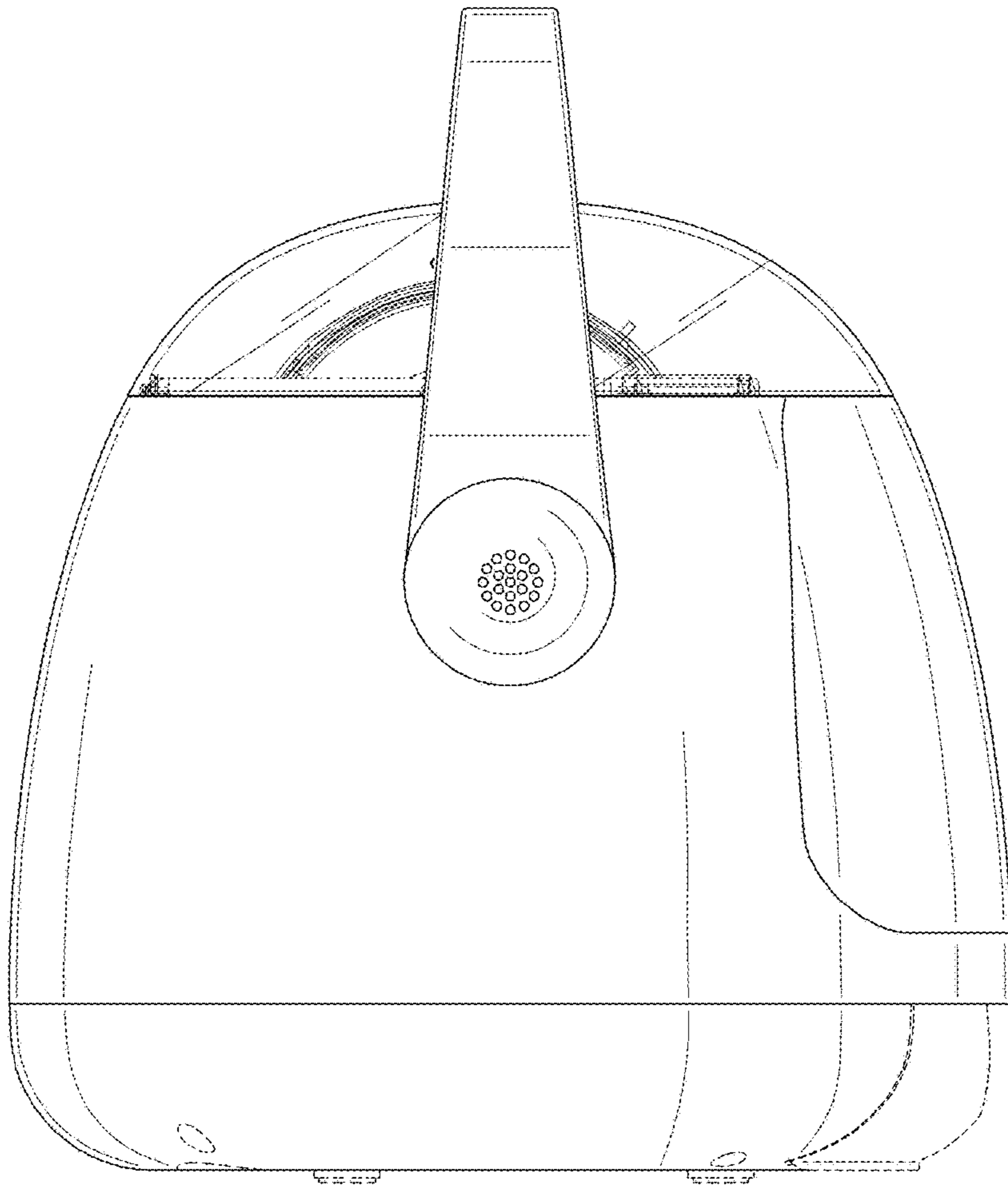


FIG. 4

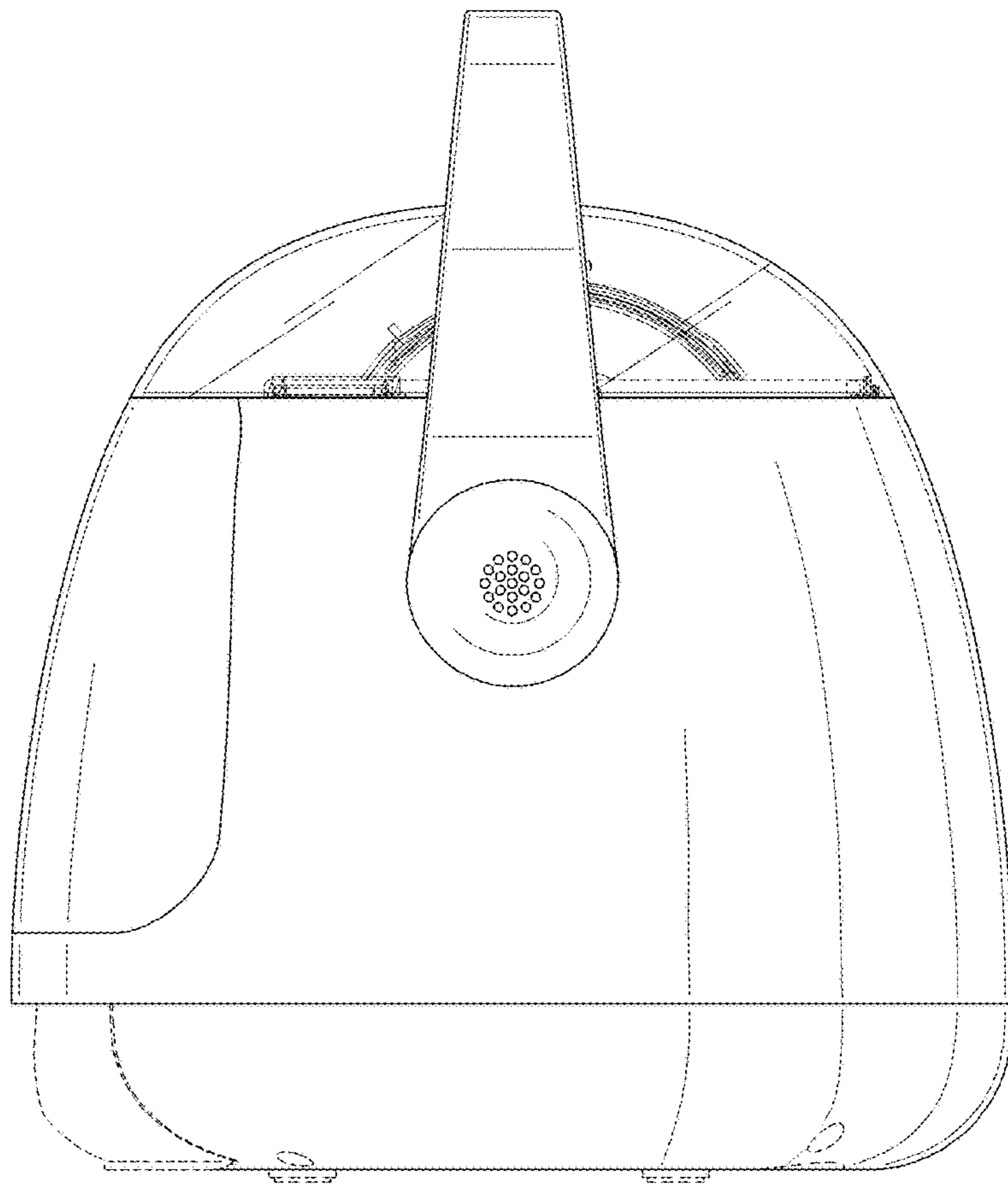


FIG. 5

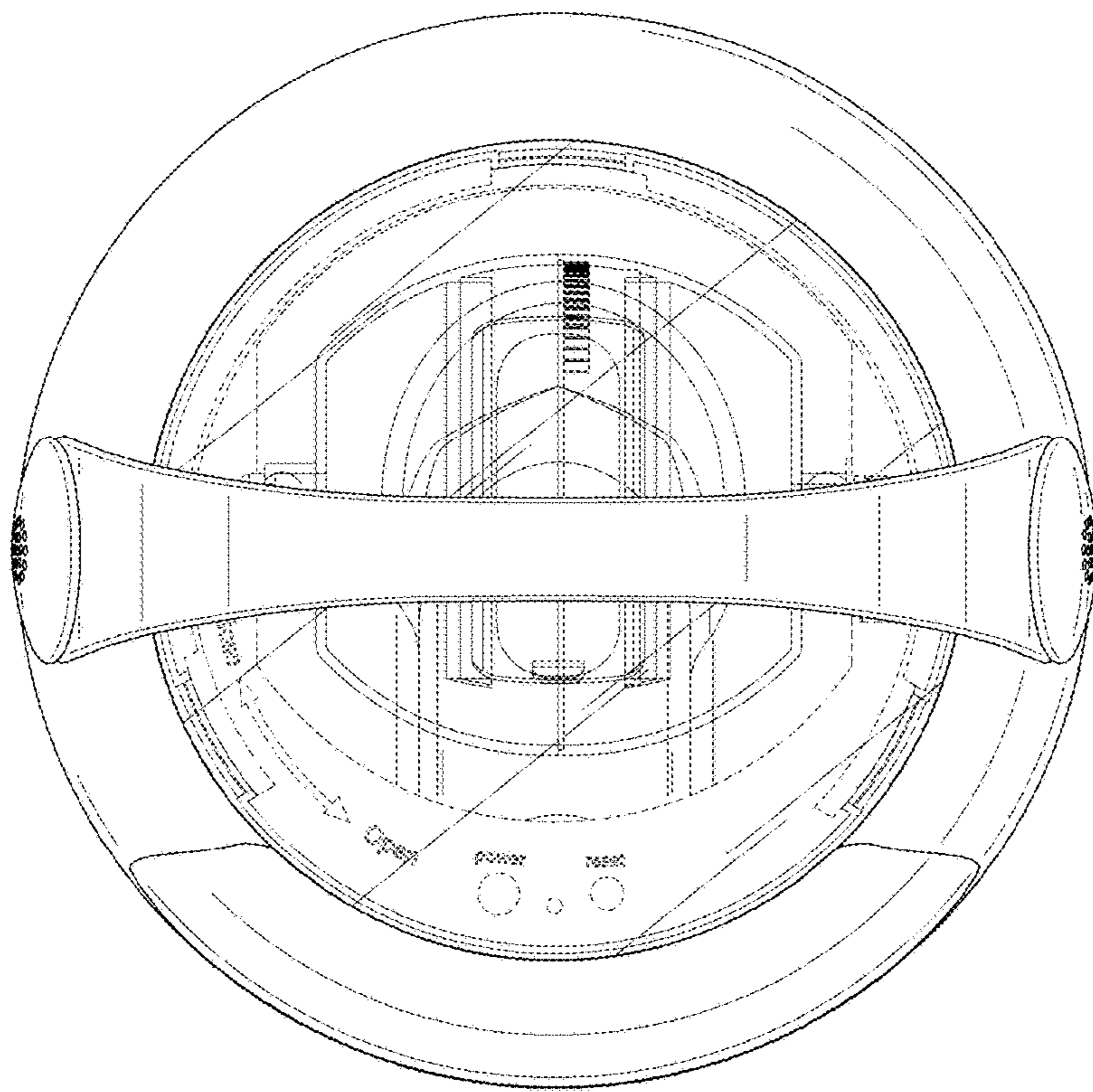


FIG. 6

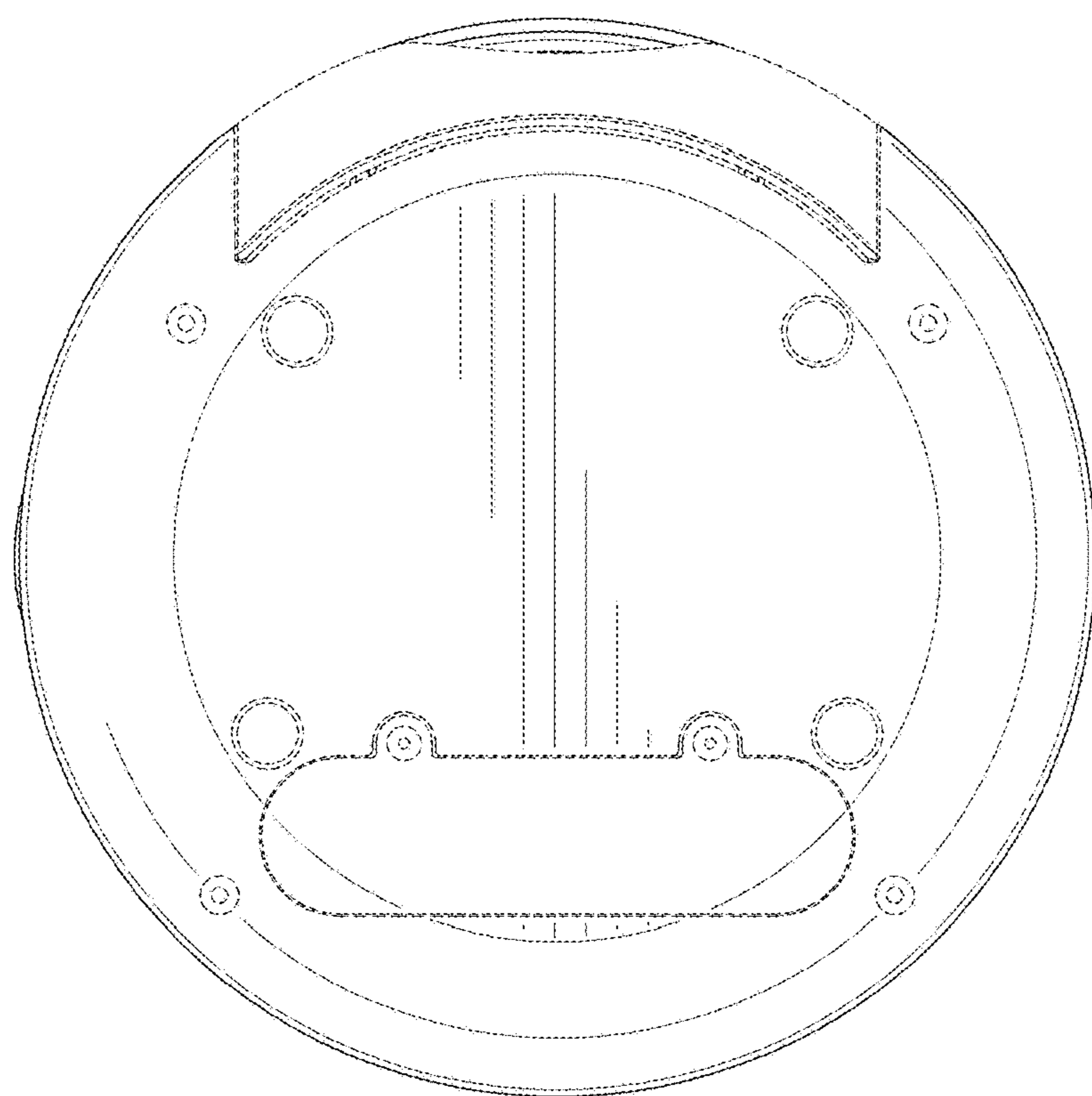


FIG. 7

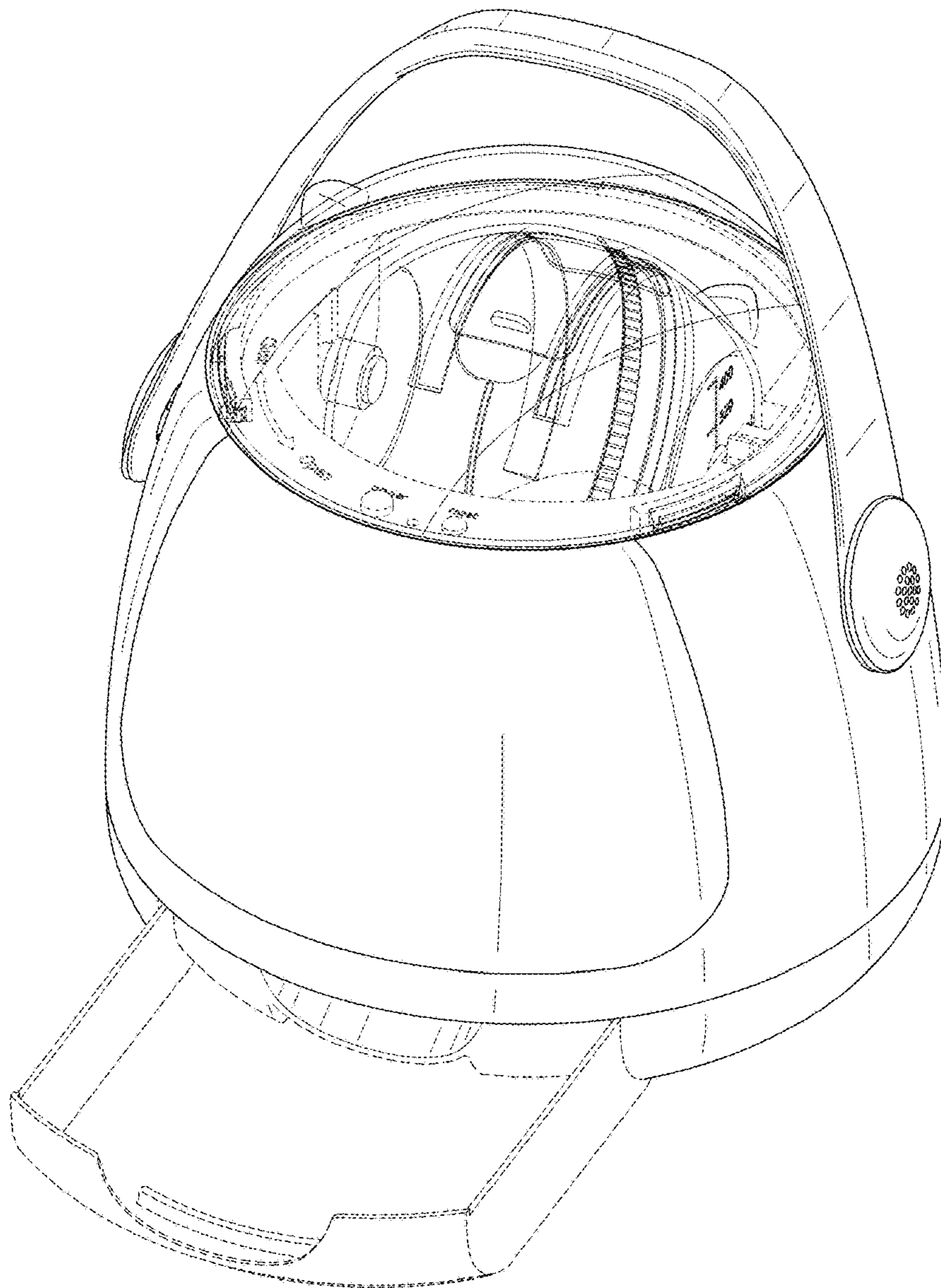


FIG. 8

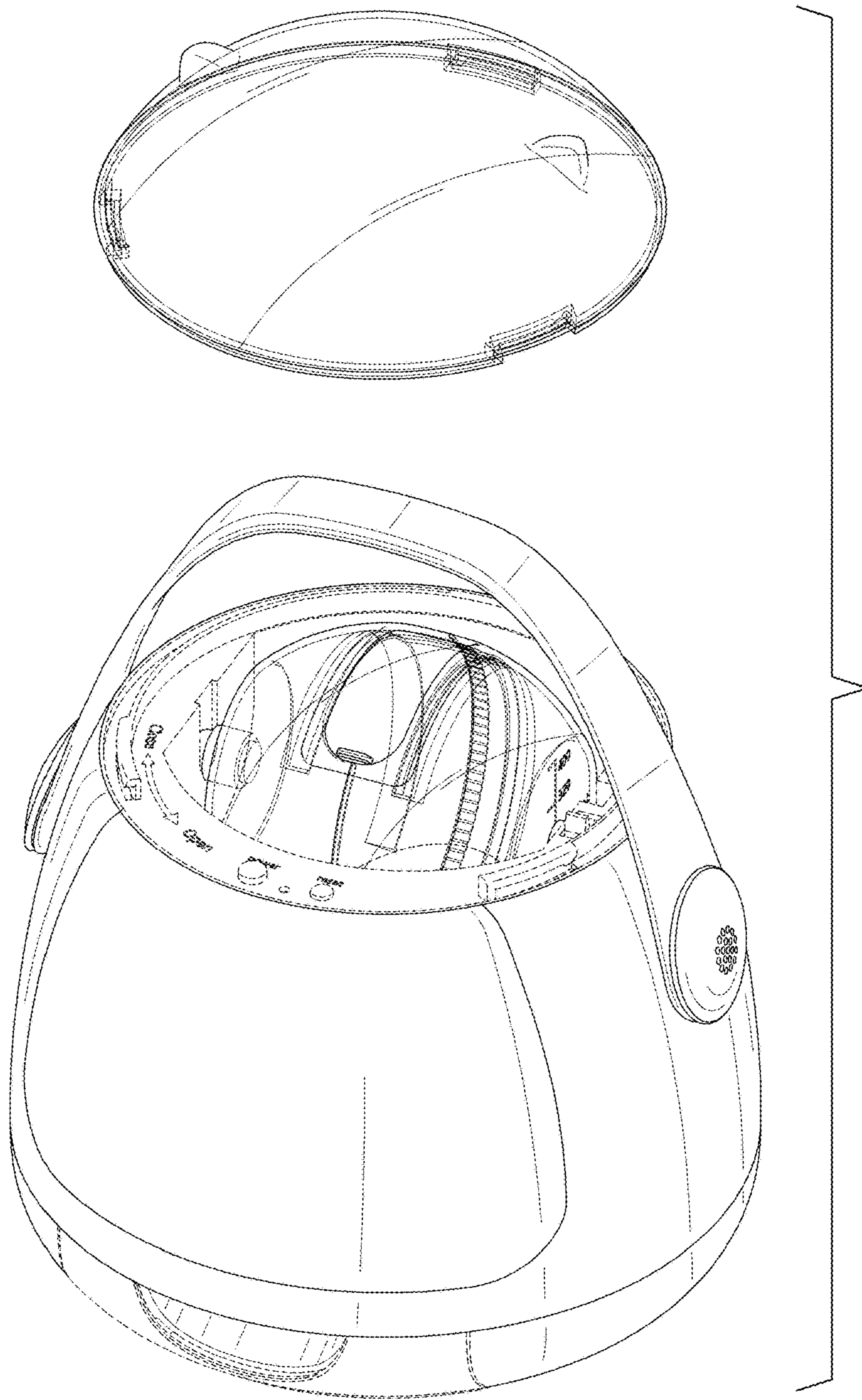


FIG. 9

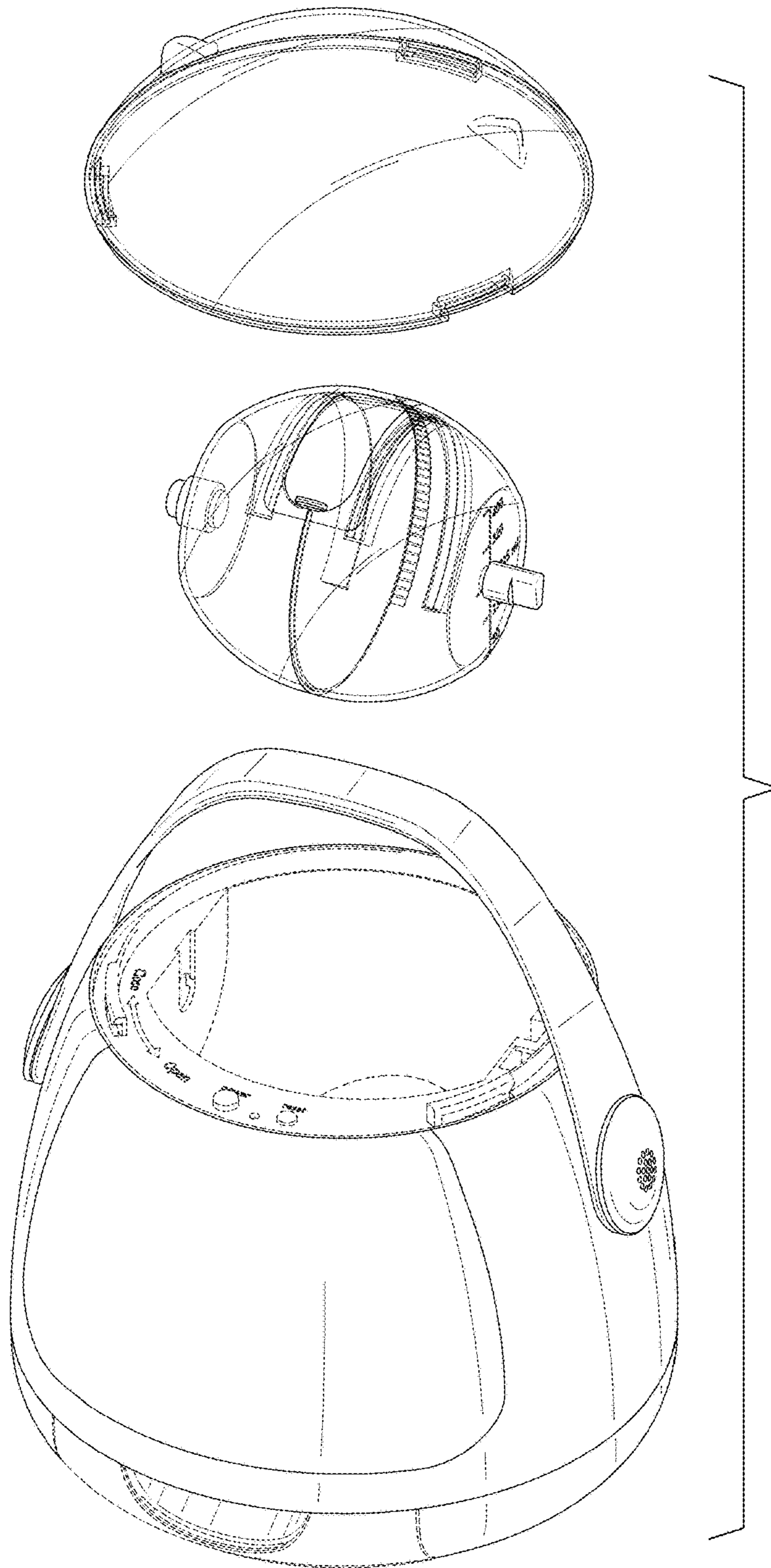


FIG. 10

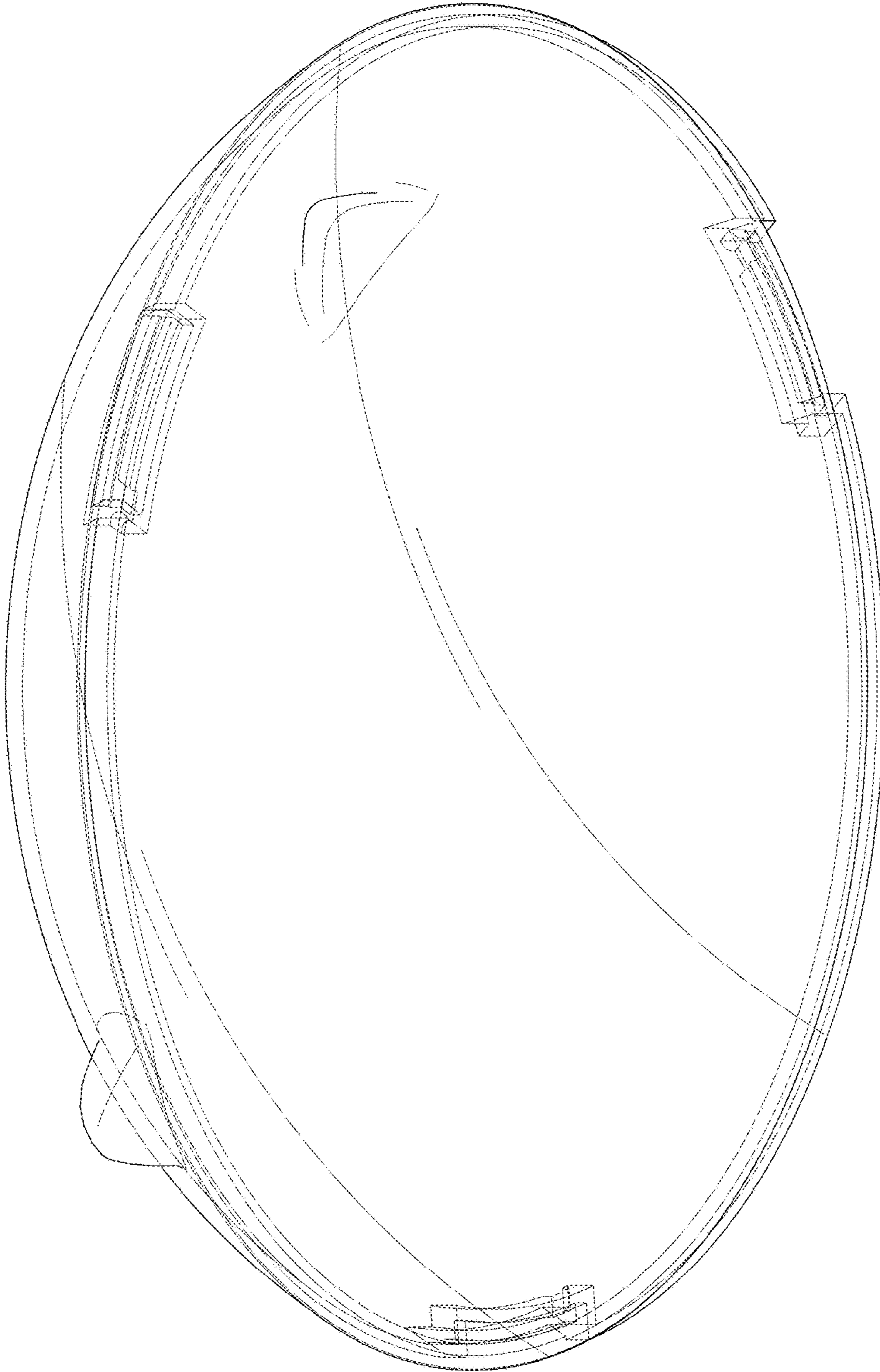


FIG. 11

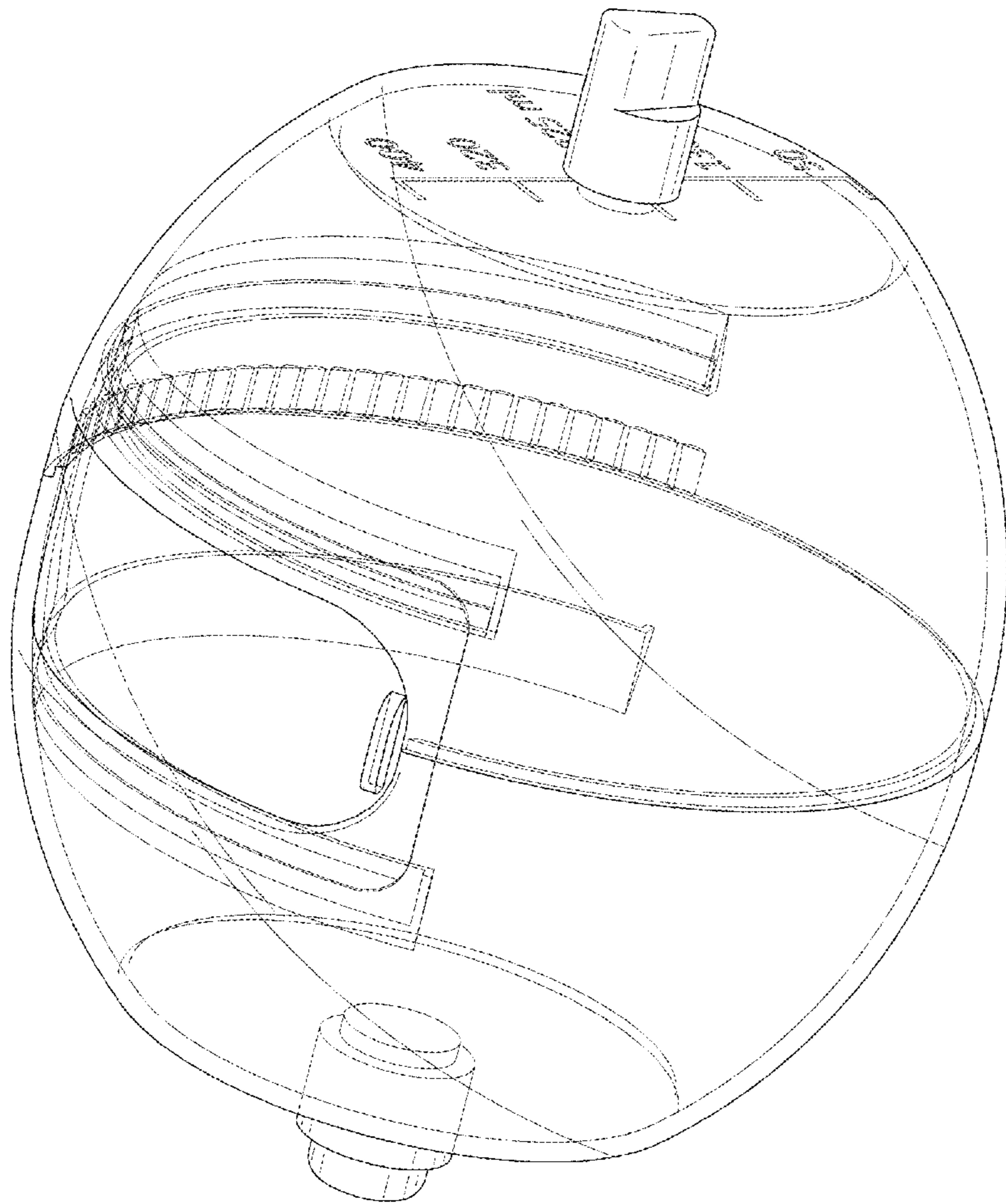


FIG. 12