



US00D867675S

(12) **United States Design Patent** (10) **Patent No.:** **US D867,675 S**
Klump et al. (45) **Date of Patent:** **** Nov. 19, 2019**

- (54) **LOW CREDENZA FOR HOUSING PETS**
- (71) Applicant: **T1.C ENTERPRISES, LLC**, Portland, OR (US)
- (72) Inventors: **Rosalind Marinou Klump**, Portland, OR (US); **Patrick Lun**, Los Angeles, CA (US)
- (73) Assignee: **T1.C ENTERPRISES, LLC**, Portland, OR (US)

D303,739 S 10/1989 Egarton
 D315,430 S 3/1991 Robertson
 D326,376 S 5/1992 Barfield
 5,148,768 A 9/1992 Hinton
 (Continued)

FOREIGN PATENT DOCUMENTS

CN 2680104 Y 2/2005
 CN 104430002 A 3/2015
 (Continued)

OTHER PUBLICATIONS

Google search—wire-dog-crate (search date—Jun. 24, 2018)—5pgs.

(Continued)

- (**) Term: **15 Years**
- (21) Appl. No.: **29/693,870**
- (22) Filed: **Jun. 5, 2019**

Related U.S. Application Data

- (63) Continuation-in-part of application No. 29/672,600, filed on Dec. 6, 2018.
- (51) **LOC (12) Cl.** **06-04**
- (52) **U.S. Cl.**
USPC **D30/108; D6/664**
- (58) **Field of Classification Search**
USPC D6/663, 664, 666, 667, 671–671.3, 657, D6/661, 662, 662.1, 691, 691.9, 694, 349, D6/336; D30/108–120
See application file for complete search history.

Primary Examiner — Vy N Koenig
 (74) *Attorney, Agent, or Firm* — R. Reams Goodloe, Jr.

(57) **CLAIM**

The ornamental design for a low credenza for housing pets, as shown and described.

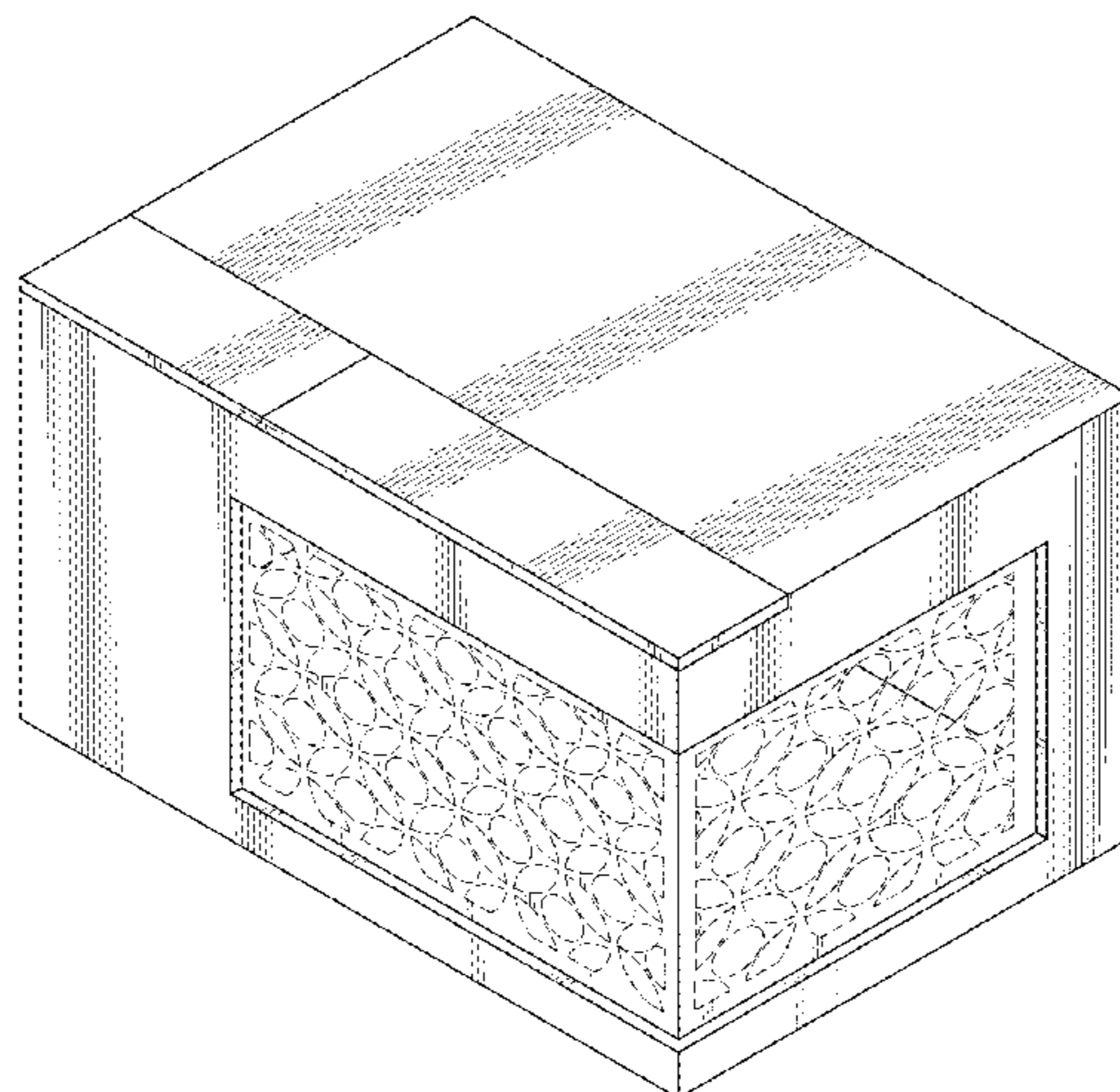
DESCRIPTION

FIG. 1 is a perspective view of a low credenza for housing pets showing our new design.
 FIG. 2 is a front side view thereof.
 FIG. 3 is a back side view thereof.
 FIG. 4 is a left side view thereof.
 FIG. 5 is a right side view thereof.
 FIG. 6 is a top plan view thereof; and,
 FIG. 7 is a bottom plan view thereof.
 In each of the drawing figures, surface shading is used to clearly show the character and contour of all surfaces of the 3-dimensional aspects of the design.
 The broken lines in the figures depict portions of the low credenza that form no part of the claimed design.

1 Claim, 4 Drawing Sheets

(56) **References Cited**
U.S. PATENT DOCUMENTS

| | | |
|-------------|---------|---------|
| 1,430,740 A | 10/1922 | Katz |
| D168,650 S | 1/1953 | McKee |
| D193,769 S | 10/1962 | Kerr |
| D215,733 S | 10/1969 | Durando |
| 3,618,568 A | 11/1971 | Breeden |
| D233,717 S | 11/1974 | Stewart |
| 3,872,832 A | 3/1975 | Quinn |
| D266,526 S | 10/1982 | Raine |
| D267,691 S | 1/1983 | White |



(56)

References Cited

U.S. PATENT DOCUMENTS

D330,274 S 10/1992 Smith
 D334,444 S 3/1993 Darby
 5,361,725 A 11/1994 Baillie et al.
 D361,378 S 8/1995 Mitchell
 D388,912 S 1/1998 Hurst et al.
 5,890,455 A 4/1999 Donchey
 D427,730 S 7/2000 Powers et al.
 D428,717 S 8/2000 Solowiej
 D429,418 S 8/2000 Tisbo
 D432,818 S 10/2000 Hutton
 6,182,612 B1 2/2001 Ross, Sr.
 6,286,458 B1 9/2001 Rawson
 D468,915 S 1/2003 Talbott
 D481,496 S 10/2003 Sequino
 D483,156 S 12/2003 Simpson
 D509,380 S 9/2005 Lines
 D512,799 S 12/2005 Simpson et al.
 6,997,138 B1 2/2006 Simpson
 D519,685 S 4/2006 Scarpaci
 D520,779 S 5/2006 DeBlois
 D534,379 S 1/2007 Juneau
 D553,879 S 10/2007 Juneau
 D554,389 S 11/2007 Pierce
 D556,885 S 12/2007 Suri et al.
 D601,312 S * 9/2009 Pettys D30/161
 D610,314 S 2/2010 Ault
 D613,000 S 3/2010 Ward
 7,673,585 B1 3/2010 Emmi et al.
 7,707,971 B2 * 5/2010 Dietz A01K 1/03
 119/452
 D621,100 S 8/2010 Simpson
 D640,837 S 6/2011 Henley
 7,997,234 B1 * 8/2011 Hughey A01K 1/034
 119/496
 D680,696 S 4/2013 Hammel
 D701,403 S 3/2014 Thompson
 D704,901 S 5/2014 Diskin
 D725,320 S * 3/2015 Olson D30/161
 D735,499 S 8/2015 Stein
 D739,004 S 9/2015 Carroll

D788,499 S 6/2017 Anderson
 D801,729 S 11/2017 Price
 D815,364 S 4/2018 Lara
 D821,038 S 6/2018 Rathman
 D829,024 S 9/2018 Mejia
 D852,429 S * 6/2019 Rathman D30/114
 D853,052 S * 7/2019 Rathman D30/114
 D853,551 S * 7/2019 Kingsbury D23/388
 2002/0152969 A1 10/2002 Grigsby et al.
 2006/0071519 A1 4/2006 Heide et al.
 2006/0112897 A1 6/2006 Moore
 2007/0000448 A1 1/2007 Dietz
 2007/0089683 A1 4/2007 Roberts et al.
 2009/0031964 A1 2/2009 Proxmire
 2009/0064939 A1 3/2009 Cirincione et al.
 2017/0097169 A1 4/2017 Azevedo
 2017/0188538 A1 7/2017 Rathman et al.

FOREIGN PATENT DOCUMENTS

EP 2260698 A2 12/2010
 FR 2584567 A1 1/1987
 GB 2118015 A 10/1983
 JP 2000-41517 A 2/2000
 JP 2009-219418 A 1/2009
 JP 2011-097892 A 5/2011
 KR 10-2012-0062979 A 6/2012
 WO WO 2012/077858 A1 6/2012

OTHER PUBLICATIONS

Google search—dog-crate-furniture (search date—Jun. 24, 2018)—4pgs.
 Google search—furniture and dog and table and decorative and screen (search date—Jun. 24, 2018)—2pgs.
 Den Haus (<https://denhaus.com/collections/dens>) (4pgs).
 Barklitecture ph (https://www.instagram.com/barkitecture.ph/?utm_source=ig_embed)(4 pgs).
 Omlet Fido Studio (https://www.omlet.us/shop/dog_prpdicts/fido_studio_dog_crate/)(12 pgs).
 The Koda Collection [online] Published Nov. 2, 2016. Retrieved from URL: <http://momant.com> .

* cited by examiner

FIG. 1

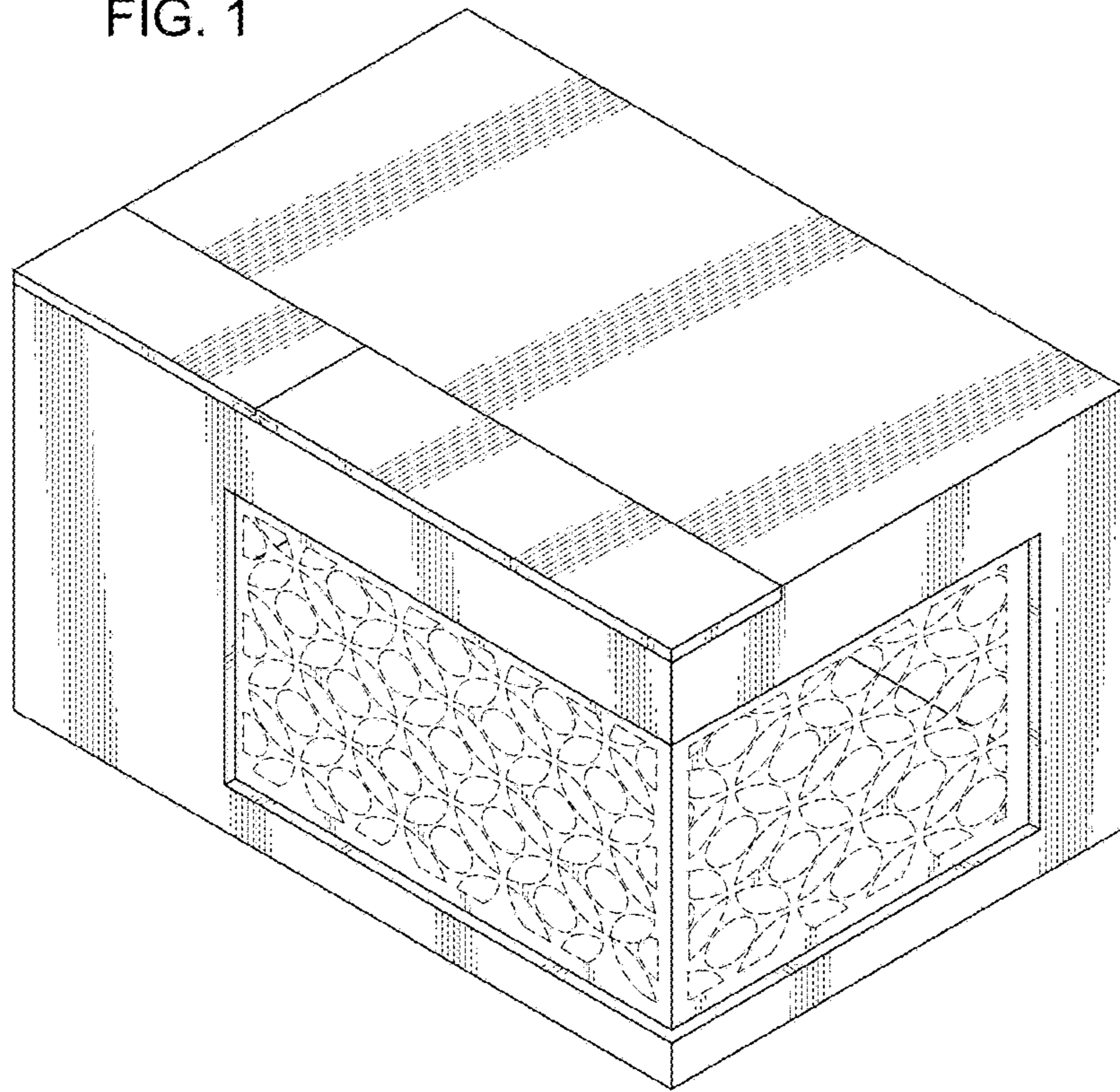


FIG. 2

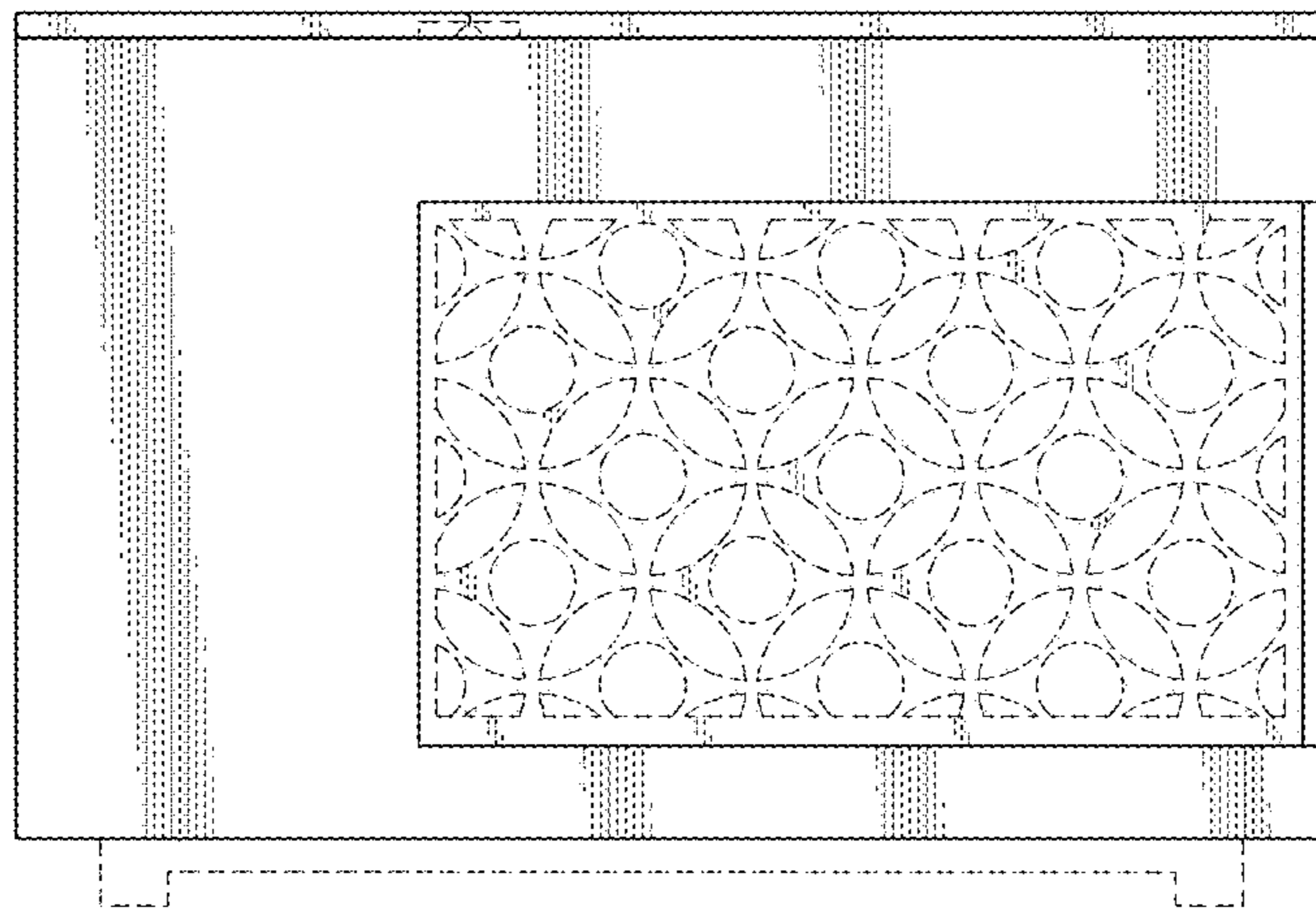


FIG. 3

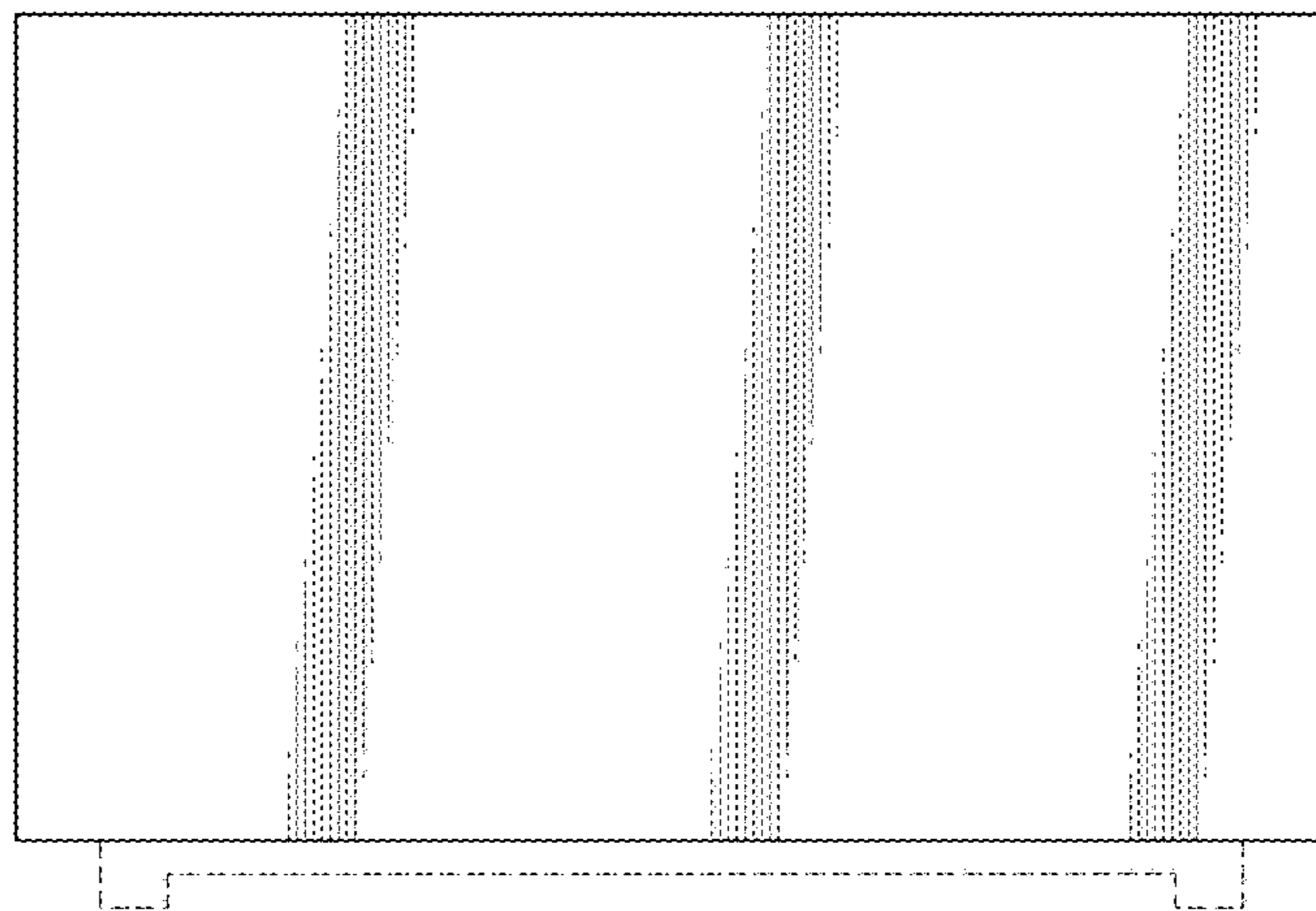


FIG. 4

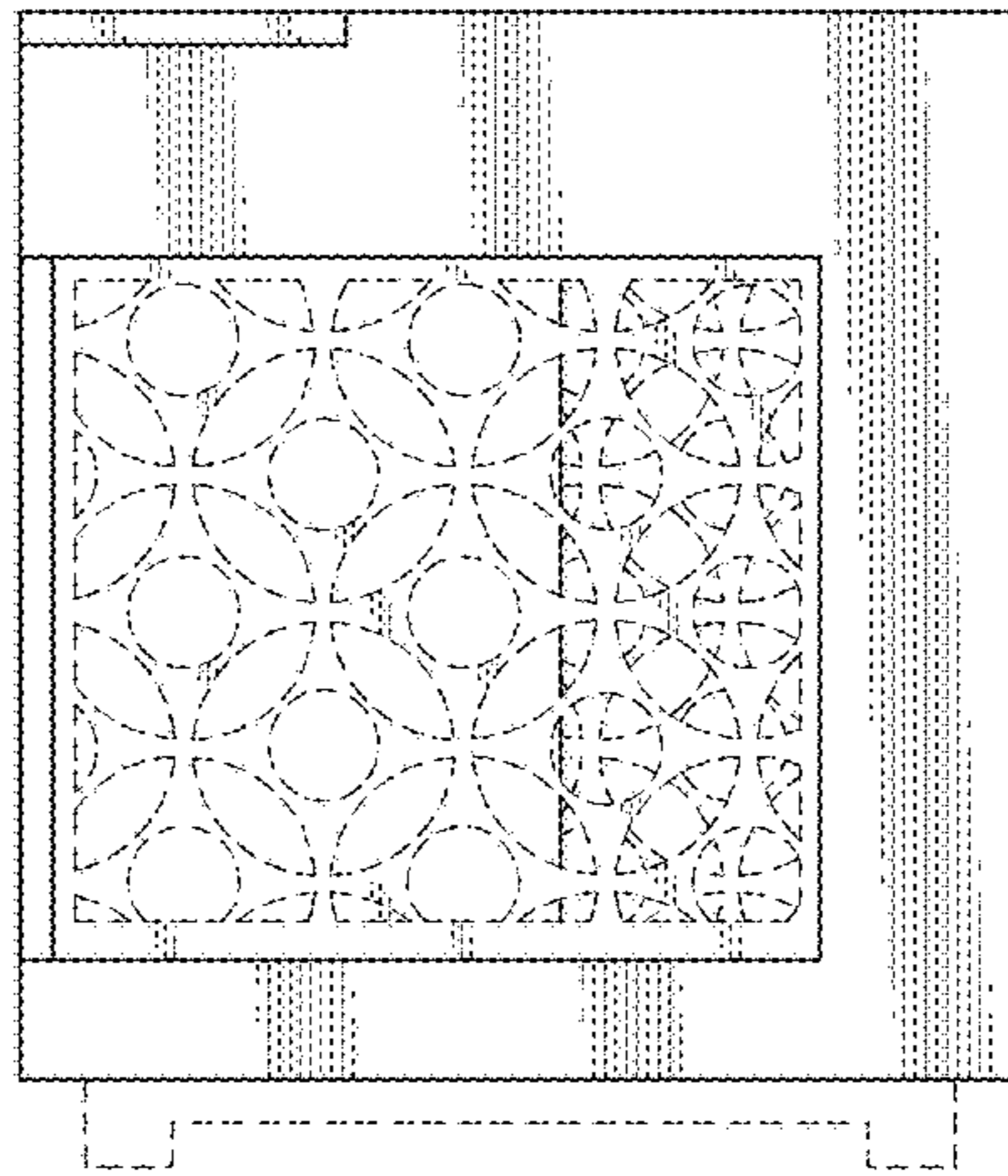


FIG. 5

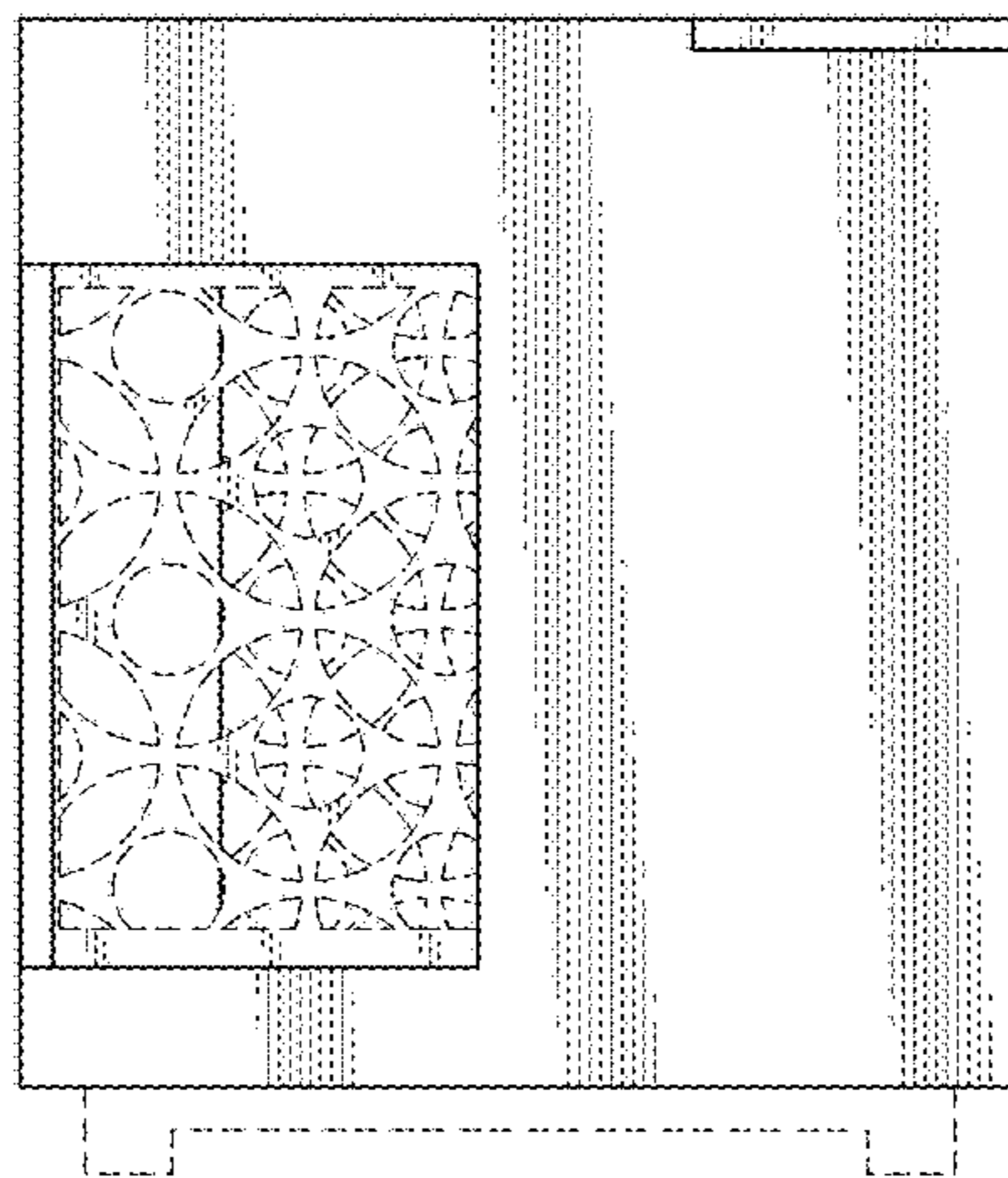


FIG. 6

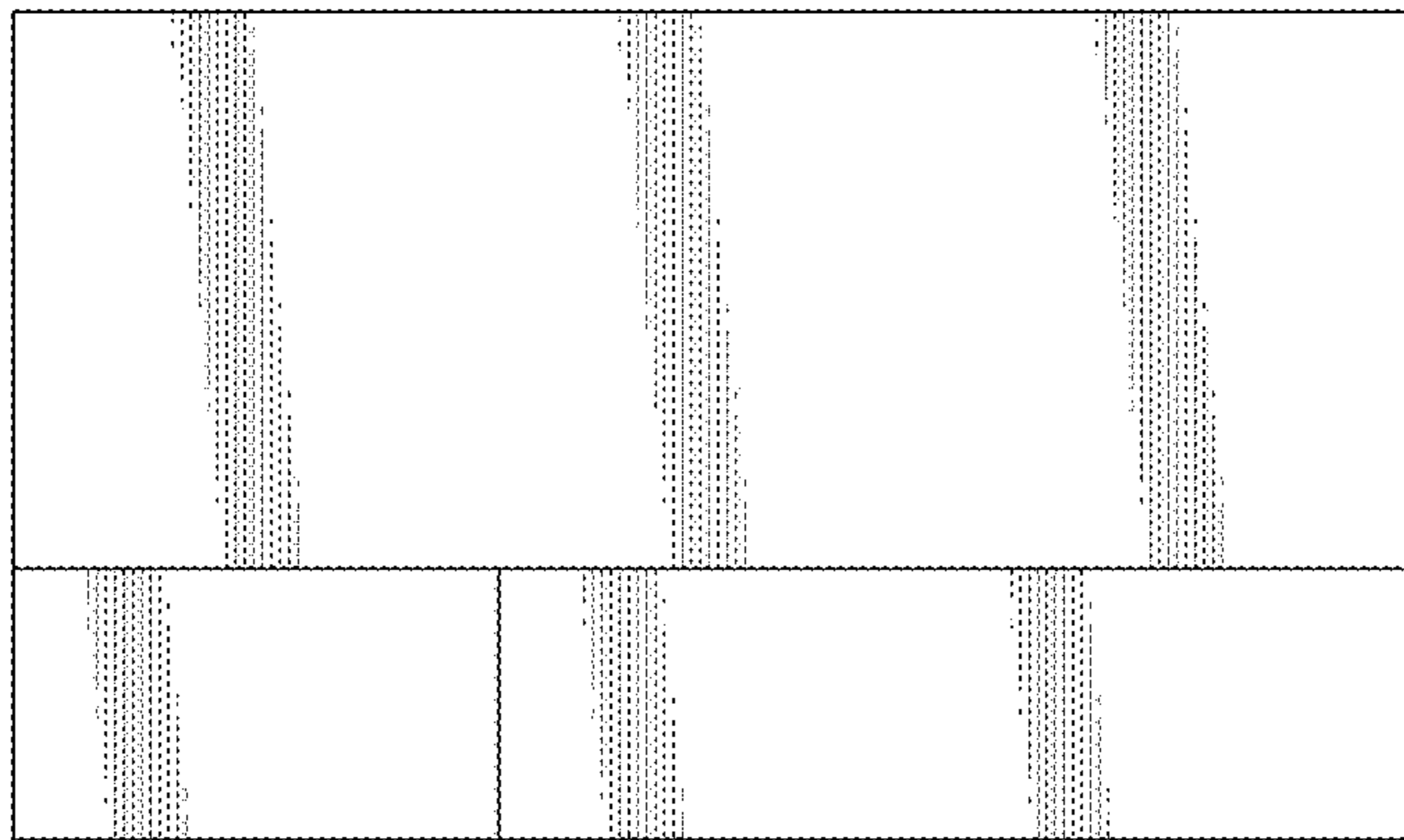
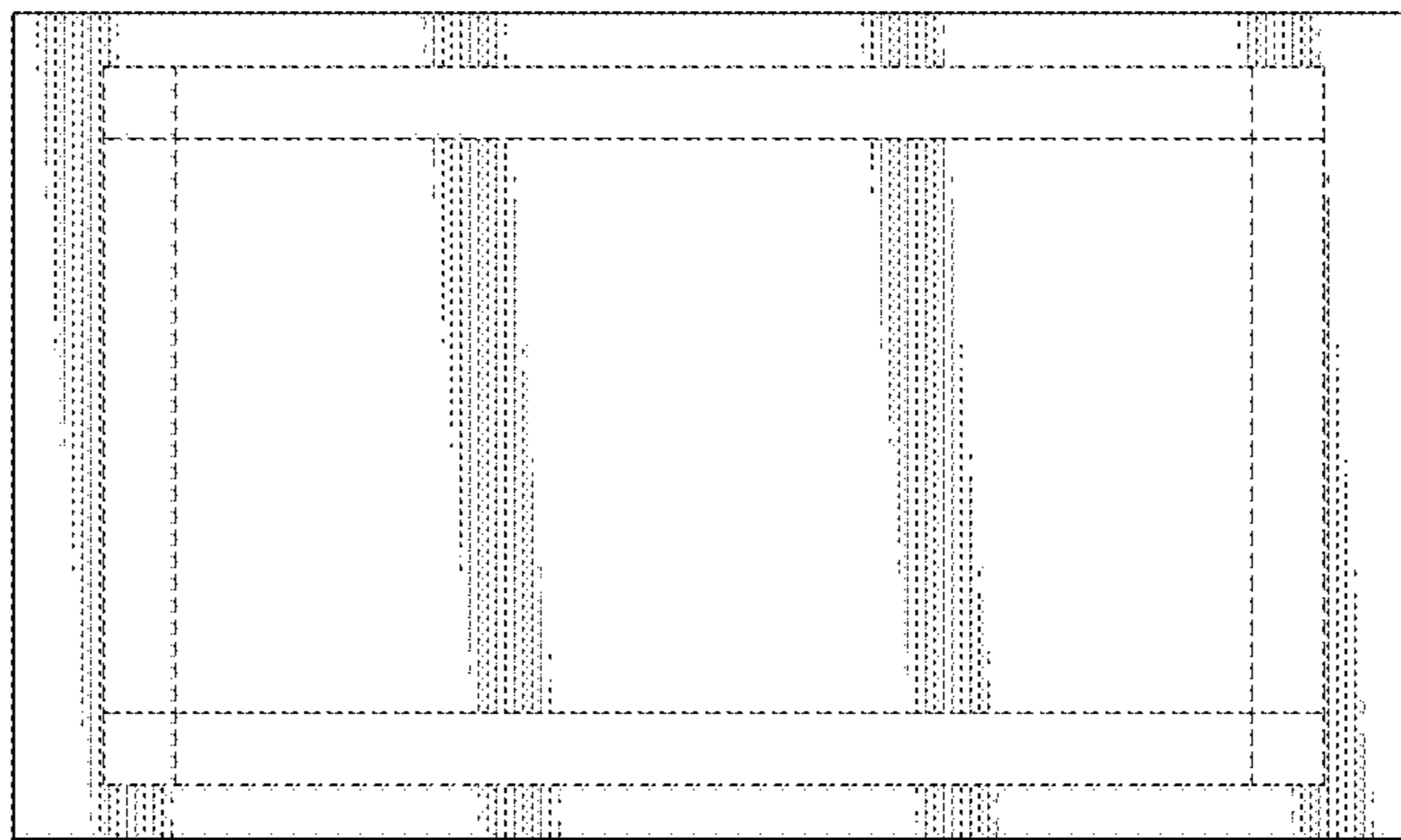


FIG. 7



UNITED STATES PATENT AND TRADEMARK OFFICE
CERTIFICATE OF CORRECTION

PATENT NO. : D867,675 S
APPLICATION NO. : 29/693870
DATED : November 19, 2019
INVENTOR(S) : Rosalind Marinou Klump and Patrick Lun

Page 1 of 1

It is certified that error appears in the above-identified patent and that said Letters Patent is hereby corrected as shown below:

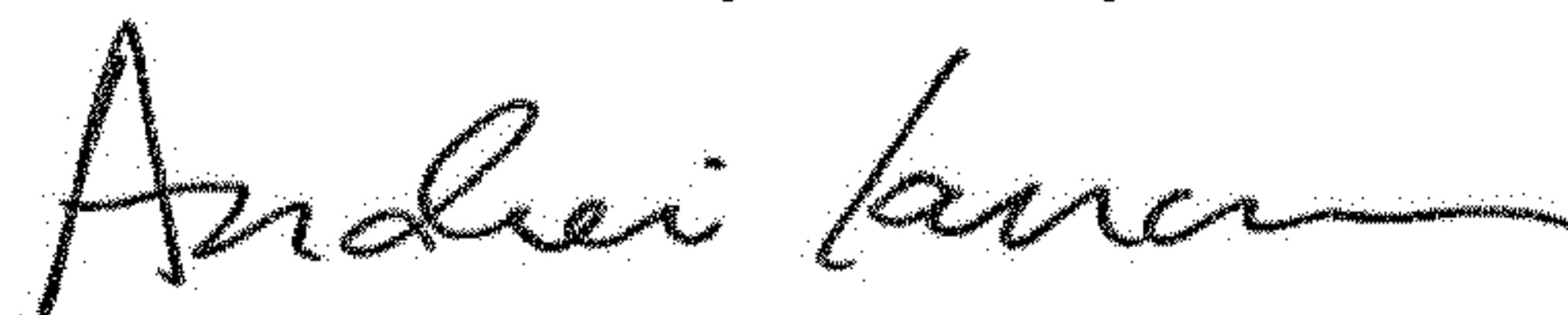
On the Title Page

Under "Description", after the words "Fig. 6 is a top plan view thereof;", delete "and,".

On page 2, Item (56), under "Other Publications", after the words "screen (search date—Jun. 24, 2018)—", delete "2pgs." and substitute therefore --7pgs.--.

On page 2, Item (56), under "Other Publications", delete "Barklitecture" and substitute therefore --Barkitecture--.

Signed and Sealed this
Twelfth Day of May, 2020



Andrei Iancu
Director of the United States Patent and Trademark Office