



US00D867673S

(12) **United States Design Patent**
Turkbas

(10) **Patent No.:** **US D867,673 S**

(45) **Date of Patent:** **** Nov. 19, 2019**

- (54) **MOUTHGUARD**
- (71) Applicant: **Shock Doctor, Inc.**, Fountain Valley, CA (US)
- (72) Inventor: **Jay N. Turkbas**, Huntington Beach, CA (US)
- (73) Assignee: **Shock Doctor, Inc.**, Fountain Valley, CA (US)
- (**) Term: **15 Years**
- (21) Appl. No.: **29/693,788**
- (22) Filed: **Jun. 5, 2019**

- 2,521,039 A * 9/1950 Carpenter A63B 71/085
128/861
- 2,827,899 A 3/1958 Altieri
- 3,089,487 A 5/1963 Enicks et al.
- 3,103,217 A 9/1963 Butler et al.
- 3,207,153 A 9/1965 Goldstein
- 3,223,085 A 12/1965 Gores et al.
- 3,247,844 A * 4/1966 Berghash A63B 71/085
128/862

(Continued)

FOREIGN PATENT DOCUMENTS

- AU 2013205854 A1 3/2014
- GB 2491183 A 11/2012
- WO 2014093850 A1 6/2014

OTHER PUBLICATIONS

European Search Report issued in EP Application No. 14757382.6 dated Nov. 2, 2016, 9 pages.

(Continued)

Primary Examiner — Elizabeth J Oswecki
(74) *Attorney, Agent, or Firm* — Faegre Baker Daniels LLP

(57) **CLAIM**

The ornamental design for a mouthguard, as shown and described.

DESCRIPTION

FIG. 1 is a front, left side perspective view of a mouthguard showing my new design;
FIG. 2 is a front view thereof;
FIG. 3 is a back view thereof;
FIG. 4 is a left side view thereof;
FIG. 5 is a right side view thereof;
FIG. 6 is a top view thereof;
FIG. 7 is a bottom view thereof; and,
FIG. 8 is a rear perspective view thereof.

1 Claim, 8 Drawing Sheets

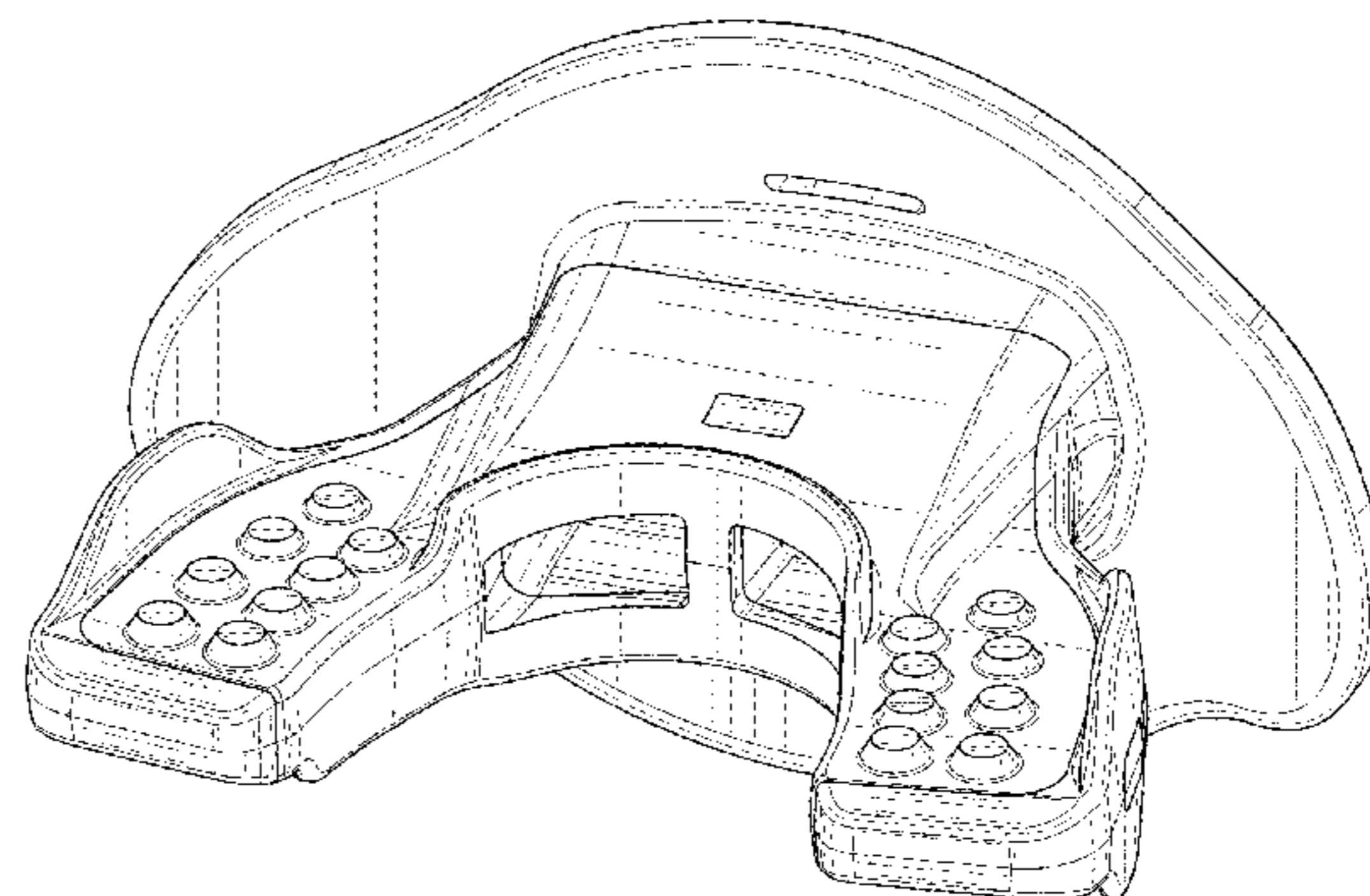
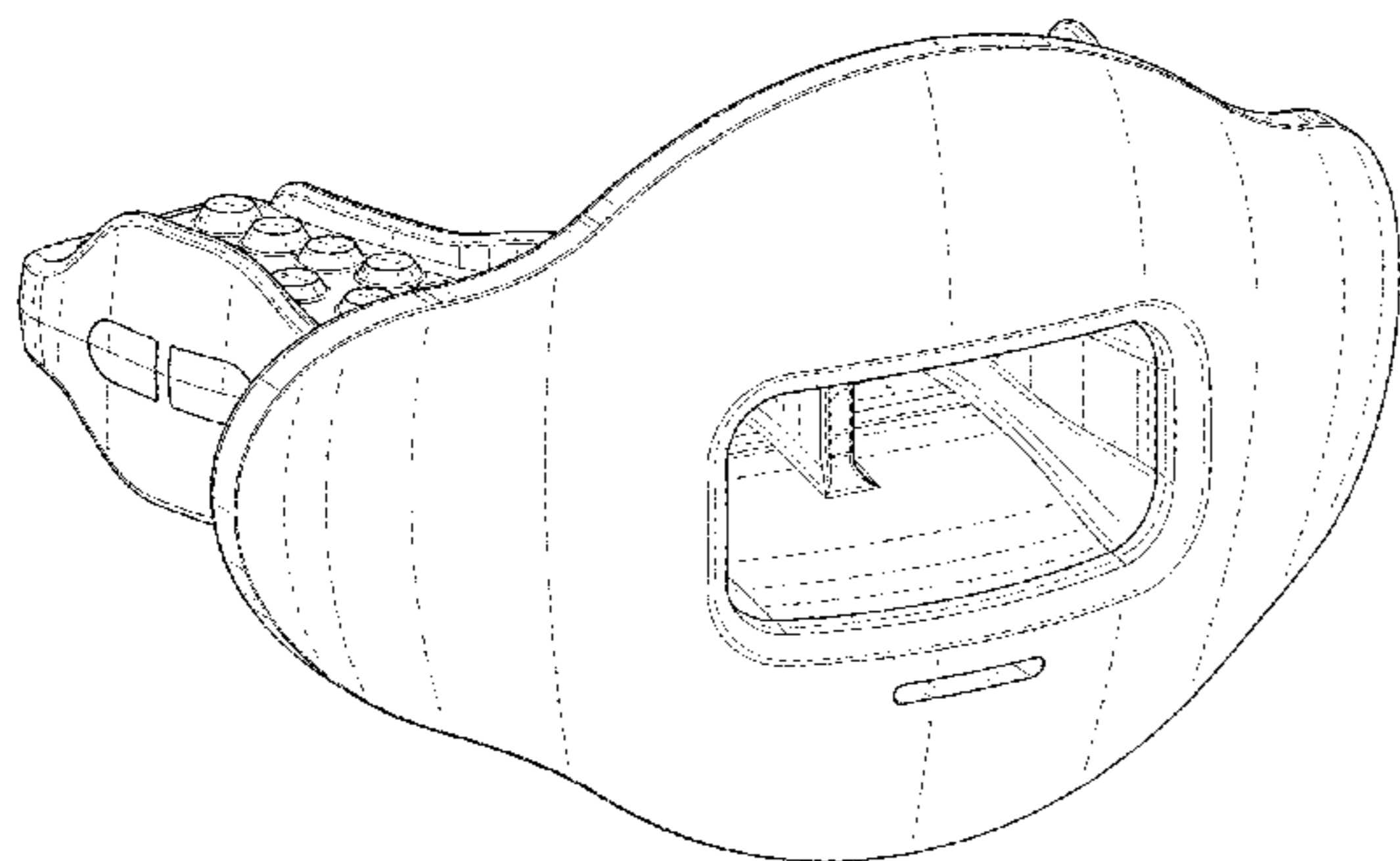
Related U.S. Application Data

- (62) Division of application No. 29/629,798, filed on Dec. 15, 2017.
- (51) **LOC (12) Cl.** **29-02**
- (52) **U.S. Cl.**
USPC **D29/108**
- (58) **Field of Classification Search**
USPC D29/100, 105, 106, 108, 122; D24/108,
D24/109, 110, 110.5, 156, 176, 181
CPC . A61F 5/566; A61F 5/58; A63B 71/08; A63B
71/081; A63B 71/085; A63B 2071/085;
A63B 2071/088; A61C 7/10; A61C
13/08; A61C 13/081; A61C 13/083; A61C
13/087; A61C 19/066; A61C 5/14; A61B
13/00; A61B 13/24
See application file for complete search history.

(56) **References Cited**

U.S. PATENT DOCUMENTS

- 1,146,264 A 7/1915 Kelly
- 1,505,642 A 8/1924 Frank
- 1,569,947 A 1/1926 Buttress
- 1,720,439 A 7/1929 Richardson
- 2,312,171 A 2/1943 Jochum
- 2,444,294 A 6/1948 Jones et al.



(56)

References Cited

U.S. PATENT DOCUMENTS

3,312,218 A	4/1967	Jacobs	D654,595 S *	2/2012	Farrell	D24/181
3,333,582 A	8/1967	Cathcart	8,116,854 B2	2/2012	Hart et al.	
D212,848 S	12/1968	Westlund et al.	D658,813 S *	5/2012	Manzo	D29/108
3,457,916 A *	7/1969	Wolicki	D663,485 S	7/2012	Turkbas et al.	
		A63B 71/085	D663,486 S	7/2012	Turkbas et al.	
		128/862	8,235,052 B2	8/2012	Maurello	
3,505,995 A	4/1970	Greenberg	8,496,009 B2 *	7/2013	Manzo	A63B 71/085
3,692,025 A	9/1972	Greenberg				128/859
3,768,465 A	10/1973	Helmer	D688,832 S	8/2013	Polk, III	
3,788,314 A	1/1974	Noreen	D693,966 S	11/2013	Hanson	
RE28,667 E	12/1975	Gores	8,607,798 B2	12/2013	Turkbas et al.	
D268,962 S	5/1983	Adams et al.	D714,066 S	9/2014	Thuma et al.	
4,495,945 A	1/1985	Liegner	D727,571 S	4/2015	Brett et al.	
4,568,280 A	2/1986	Ahlin	D734,556 S *	7/2015	Brett	D24/181
4,610,743 A	9/1986	Salmeen et al.	D743,107 S *	11/2015	Hirshberg	D29/108
4,977,905 A	12/1990	Kittelsen et al.	D752,295 S *	3/2016	Lovat	D29/108
5,031,638 A	7/1991	Castaldi	D760,889 S *	7/2016	Evans	D24/110.5
5,063,940 A	11/1991	Adell et al.	D765,919 S *	9/2016	Croll	D29/108
5,078,367 A	1/1992	Simpson et al.	D782,743 S *	3/2017	Engel	D29/108
5,117,816 A	6/1992	Shapiro et al.	D797,379 S *	9/2017	Patel	D29/108
D328,494 S	8/1992	Schwendeman et al.	D799,049 S *	10/2017	Farrell	D24/181
5,165,424 A	11/1992	Silverman	D800,317 S *	10/2017	Farrell	D24/181
5,277,203 A	1/1994	Hays	D804,829 S	12/2017	Austin	
5,293,880 A	3/1994	Levitt	D830,640 S	10/2018	Supple	
5,336,086 A	8/1994	Simmen et al.	D833,621 S *	11/2018	Tolentino	D24/181
5,339,832 A	8/1994	Kittelsen et al.	D833,681 S *	11/2018	Tolentino	D29/108
5,406,963 A	4/1995	Adell	D839,485 S *	1/2019	Turkbas	D29/108
5,566,683 A	10/1996	Thornton	D841,257 S *	2/2019	Turkbas	D29/108
5,611,355 A	3/1997	Hilsen	D852,424 S *	6/2019	Callabe	D29/108
5,642,737 A	7/1997	Parks	D854,753 S	7/2019	Turkbas	
D382,965 S	8/1997	Wagner	2003/0019497 A1 *	1/2003	Farrell	A61C 7/08
5,692,523 A	12/1997	Croll et al.				128/861
5,693,523 A	12/1997	Watanabe et al.	2003/0075184 A1	4/2003	Persichetti	
5,826,581 A	10/1998	Yoshida	2003/0136416 A1	7/2003	White	
5,842,860 A	12/1998	Funt	2003/0205234 A1	11/2003	Bardach et al.	
D414,281 S	9/1999	Sassenberg	2004/0110111 A1	6/2004	Wasylycha	
5,970,981 A	10/1999	Ochel	2004/0146836 A1 *	7/2004	Andersen	A61C 19/066
6,036,487 A	3/2000	Westerman				433/215
6,068,475 A	5/2000	Stoyka, Jr.	2004/0154626 A1	8/2004	Washburn et al.	
6,082,363 A	7/2000	Washburn	2005/0019524 A1	1/2005	Kershaw	
D452,011 S	12/2001	Redhage	2006/0084024 A1 *	4/2006	Farrell	A61C 7/08
6,405,729 B1	6/2002	Thornton				433/6
6,584,978 B1	7/2003	Brett et al.	2007/0084471 A1	4/2007	Napoli et al.	
6,691,710 B2	2/2004	Kittelsen et al.	2007/0151567 A1	7/2007	Maurello	
D500,895 S *	1/2005	Manzo	2007/0151568 A1	7/2007	Maurello	
D509,028 S *	8/2005	Farrell	2007/0235039 A1	10/2007	Gottsch	
6,978,786 B2	12/2005	Sabbagh	2007/0254256 A1 *	11/2007	Farrell	A61C 7/08
D523,994 S *	6/2006	Manzo				433/6
D526,095 S *	8/2006	Manzo	2008/0113143 A1	5/2008	Taylor	
D530,863 S *	10/2006	Manzo	2008/0138766 A1 *	6/2008	Jansheski	A61C 7/08
D532,559 S *	11/2006	Manzo				433/140
D537,987 S *	3/2007	Manzo	2009/0038624 A1	2/2009	Akervall et al.	
D541,481 S	4/2007	Farrell	2010/0051038 A1 *	3/2010	Quigless	A63B 71/085
7,210,483 B1	5/2007	Lesniak et al.				128/861
D548,403 S *	8/2007	Manzo	2010/0055233 A1	3/2010	MacInnis et al.	
7,299,804 B2	11/2007	Kittelsen et al.	2010/0196837 A1 *	8/2010	Farrell	A61C 7/08
7,658,193 B2	2/2010	Lesniak				433/6
D614,304 S	4/2010	Jansheski	2010/0304338 A1	12/2010	Cramer et al.	
D615,709 S *	5/2010	Manzo	2011/0114100 A1	5/2011	Alvarez et al.	
D616,152 S *	5/2010	Manzo	2011/0186055 A1	8/2011	Makkar et al.	
D618,399 S *	6/2010	Manzo	2011/0230587 A1	9/2011	MacInnis et al.	
7,775,214 B1	8/2010	Lesniak et al.	2012/0017922 A1	1/2012	Hirshberg	
D623,357 S *	9/2010	Manzo	2012/0085354 A1	4/2012	Polk, III	
D626,292 S *	10/2010	Farrell	2012/0090625 A1	4/2012	Evans et al.	
D627,107 S *	11/2010	Manzo	2012/0111343 A1	5/2012	Turkbas et al.	
D630,382 S *	1/2011	Manzo	2012/0174932 A1	7/2012	Wilson	
D630,860 S	1/2011	Sichel	2013/0052613 A1	2/2013	Chetiar et al.	
D634,480 S *	3/2011	Manzo	2013/0068237 A1	3/2013	Herman et al.	
7,954,496 B2	6/2011	Jansheski et al.	2013/0074850 A1	3/2013	Lenart	
D641,478 S	7/2011	Belvedere et al.	2013/0087157 A1	4/2013	Hawkins	
D642,277 S *	7/2011	Farrell	2013/0104913 A1	5/2013	Evans et al.	
D644,791 S *	9/2011	Petrocelli	2014/0090655 A1	4/2014	Robinson	
8,033,392 B1	10/2011	Gehner et al.	2014/0093836 A1	4/2014	Wolpo	
D648,900 S *	11/2011	Manzo	2014/0166024 A1	6/2014	Davidson et al.	
D652,575 S *	1/2012	Farrell	2014/0238416 A1	8/2014	Lin	
D652,576 S *	1/2012	Farrell	2014/0238417 A1	8/2014	Turkbas	
			2014/0238418 A1	8/2014	Turkbas	
			2014/0261465 A1	9/2014	Turkbas	

(56)

References Cited

U.S. PATENT DOCUMENTS

2014/0345626	A1	11/2014	Brett et al.
2014/0352704	A1	12/2014	Farrell
2015/0209645	A1	7/2015	Zents
2016/0001160	A1	1/2016	Engel
2017/0172717	A1	6/2017	Deng et al.
2018/0014912	A1	1/2018	Radmand
2019/0209911	A1	7/2019	Turkbas

OTHER PUBLICATIONS

Extended European Search Report issued in EP application No. 14756802.6, dated Oct. 31, 2016, 10 pages.
 Gel Max Mouthguard, earliest comment Aug. 26, 2015, [online], [site visited Apr. 13, 2018]. Retrieved from url:https://www.shockdoctor.com/gel-max-mouthguard (Year: 2015).
 Gel Max Power Mouthguard, earliest comment Oct. 9, 2017, [online], [site visited Apr. 13, 2018]. Retrieved from url:https://www.shockdoctor.com/gel-max-power-mouthguard (Year: 2017).
 International Preliminary Report on Patentability issued in PCT/US2014/018755, dated Sep. 1, 2015, 5 pages.
 International Preliminary Report on Patentability issued in PCT/US2014/018756, dated Sep. 11, 2015, 8 pages.
 International Search Report and Written Opinion issued in PCT/US2014/018755, dated May 22, 2014, 8 pages.

International Search Report and Written Opinion issued in PCT/US2014/018756, dated Jun. 3, 2014, 11 pages.
 International Search Report and Written Opinion issued in PCT/US2016/054693, dated Jul. 24, 2017, 17 pages.
 PCT Invitation to Pay Additional Fees issued in PCT/US2016/054693, dated May 23, 2017, 14 pages.
 Shock Doctor Gel Max Mouthguard, www.shockdoctor.com/gel-max-mouthguard, accessed Jan. 24, 2017, at least available on Apr. 10, 2016.
 Shock Doctor Max AirFlow Football Mouthguard (2016 Version), www.shockdoctor.com/max-airflow-mouthguard-2016, accessed May 9, 2018, at least available in Apr. 2016.
 Shock Doctor SuperFit Mouthguard, www.shockdoctor.com/superfit-mouthguard, accessed Jan. 24, 2017, at least available on Apr. 10, 2016.
 Shock Doctor Ultra Double Braces Mouthguard, www.shockdoctor.com/ultra-double-braces-mouthguard, accessed Jan. 24, 2017, at least available on Apr. 10, 2016.
 Shock Doctor Ultra2 STC Mouthguard, www.shockdoctor.com/ultra2-stc-mouthguard, accessed Jan. 24, 2017, at least available on Apr. 10, 2016.
 U.S. Appl. No. 29/610,727 entitled Mouthguard, filed Jul. 14, 2017.
 U.S. Appl. No. 29/610,733 entitled Mouthguard, filed Jul. 14, 2017.
 U.S. Appl. No. 29/629,798 entitled Mouthguard, filed Dec. 15, 2017.
 U.S. Appl. No. 29/629,806 entitled Moutguard, filed Dec. 15, 2017.

* cited by examiner

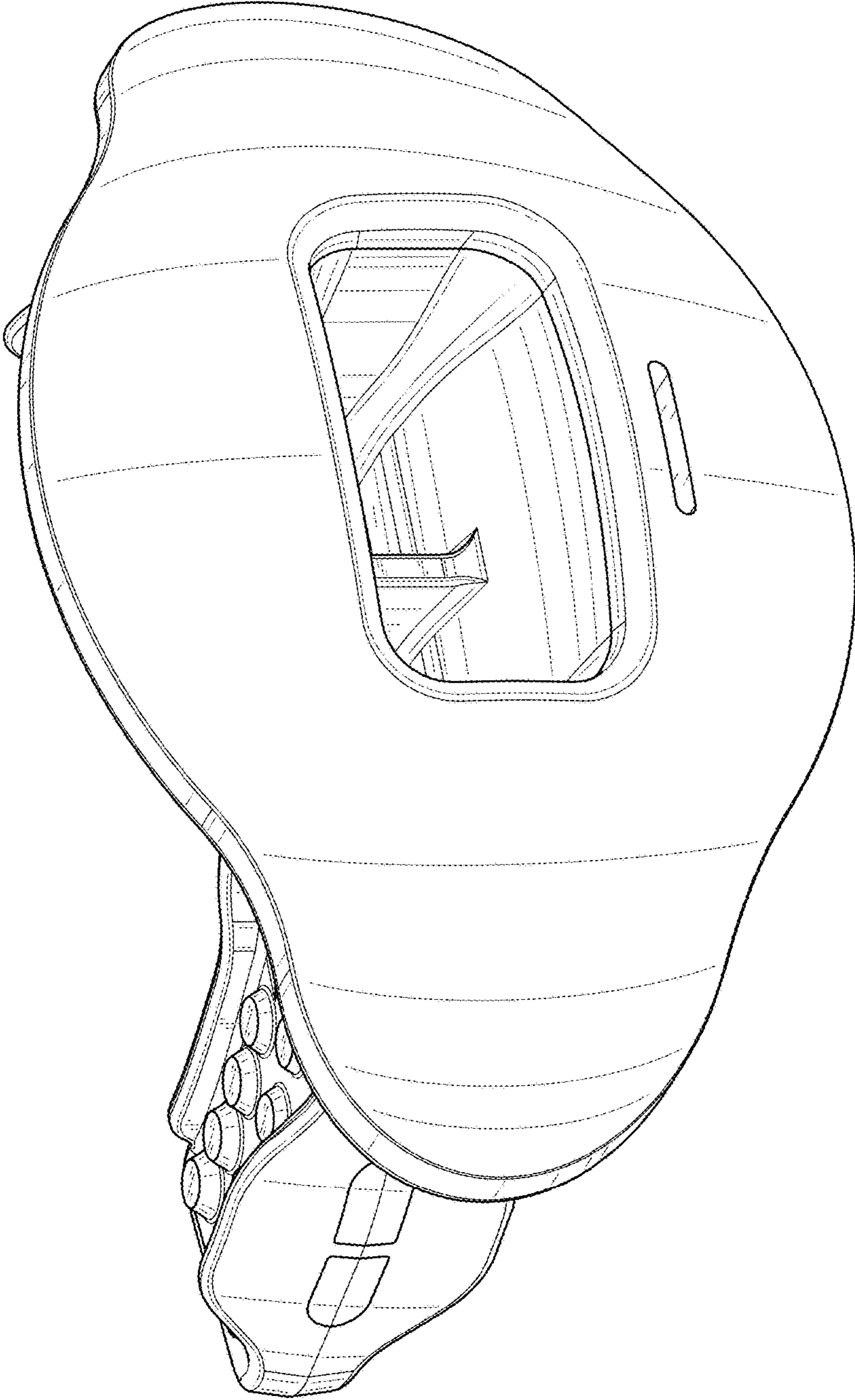


FIG. 1

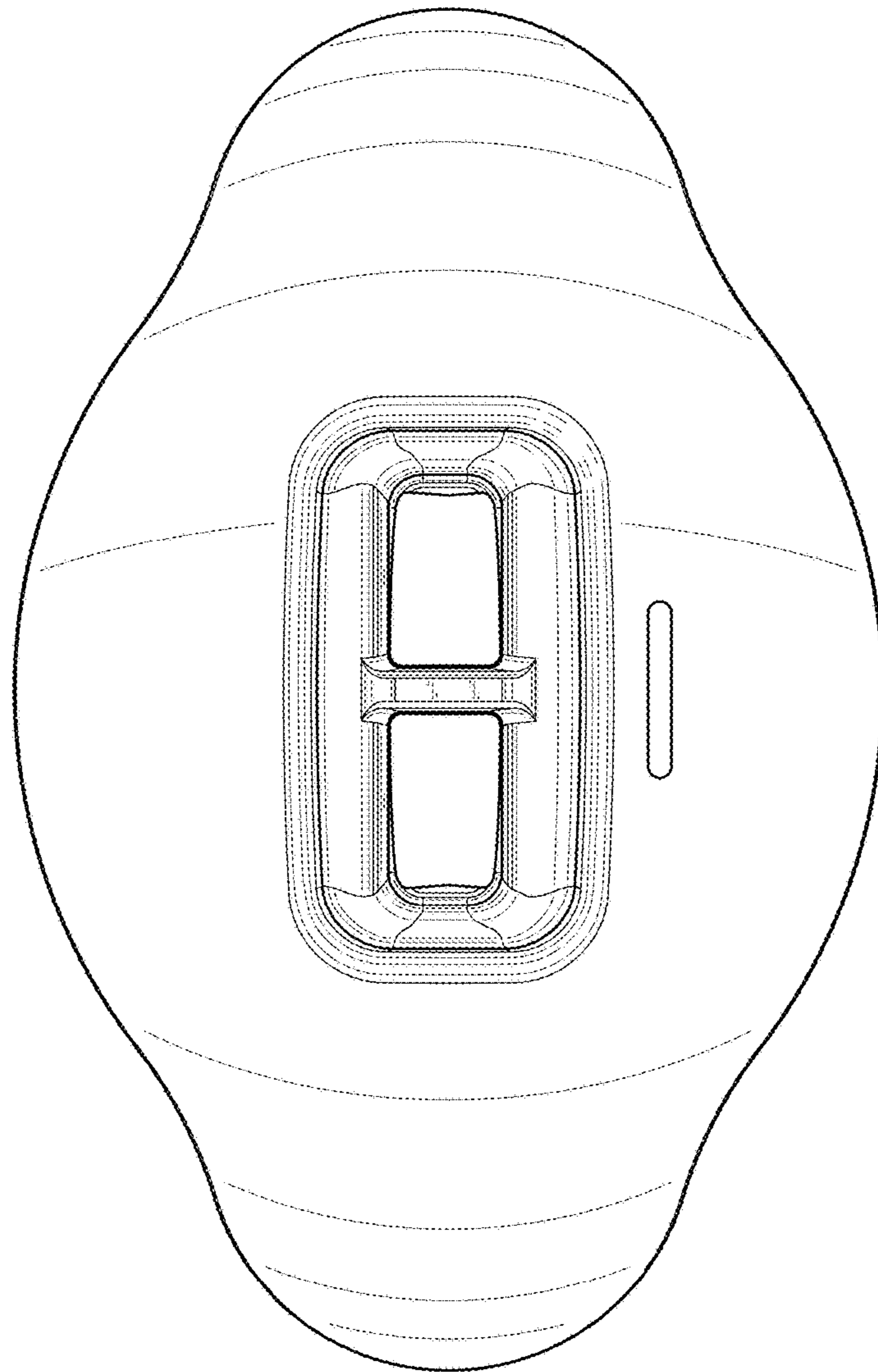


FIG. 2

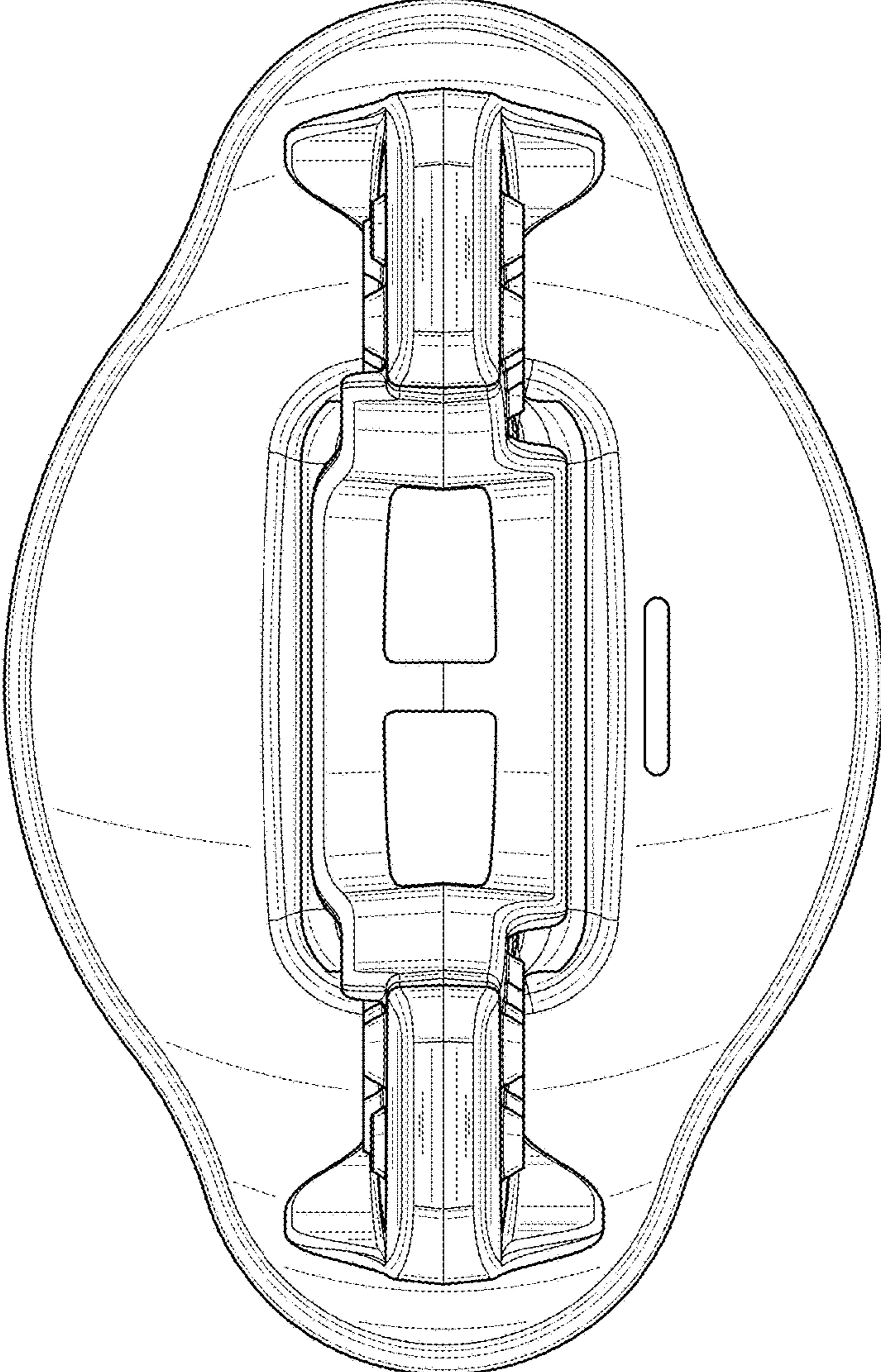


FIG. 3

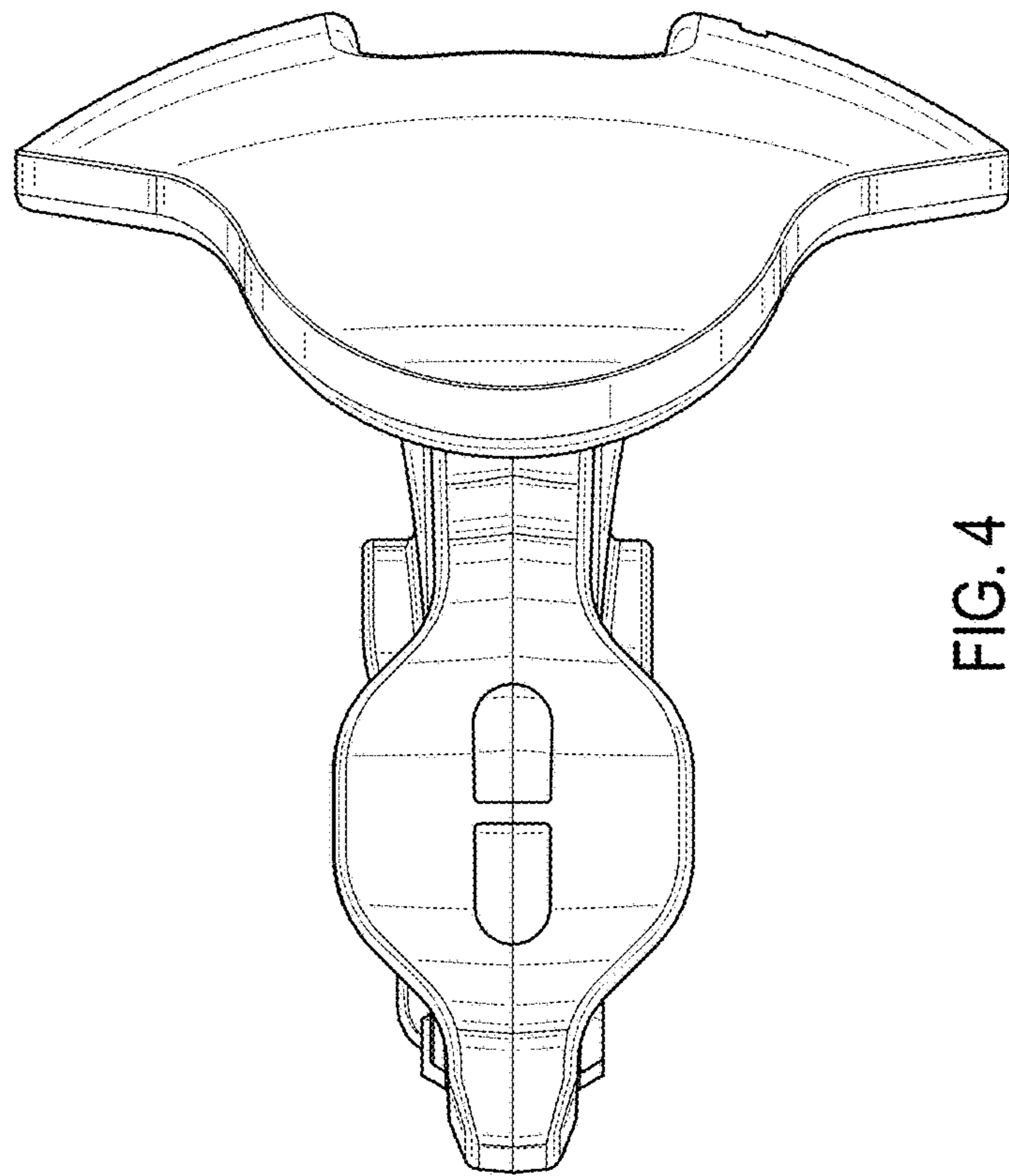


FIG. 4

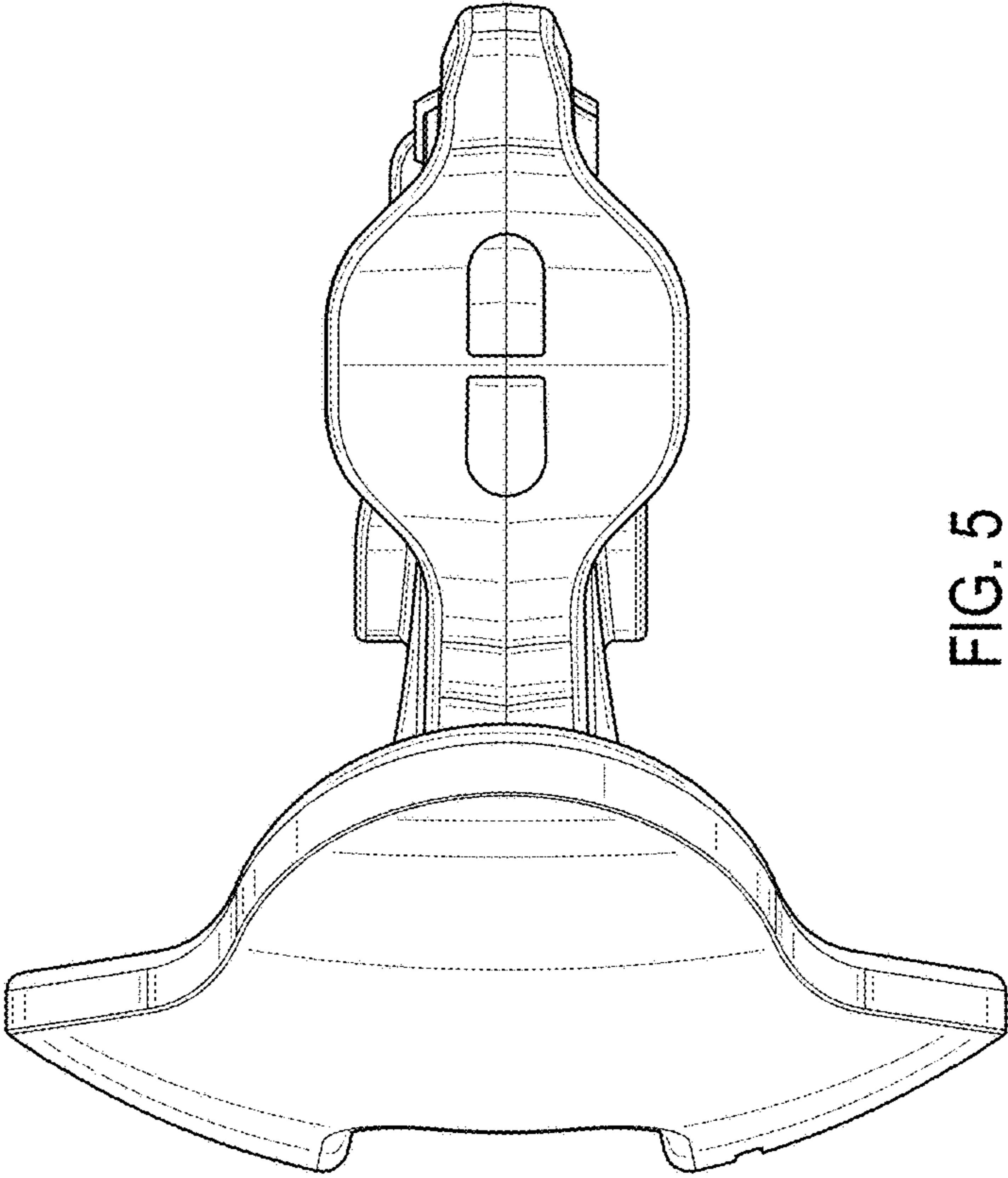


FIG. 5

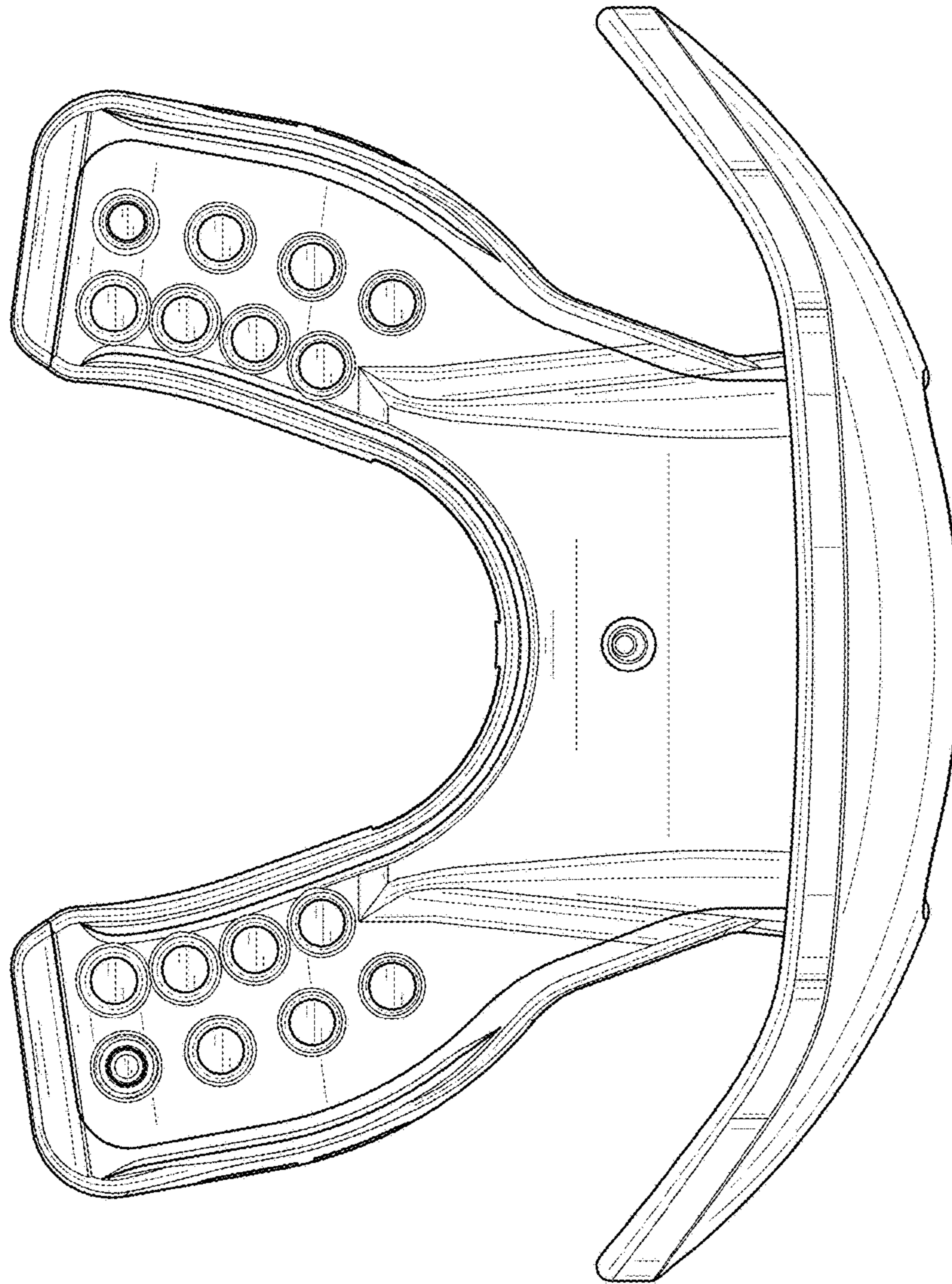


FIG. 6

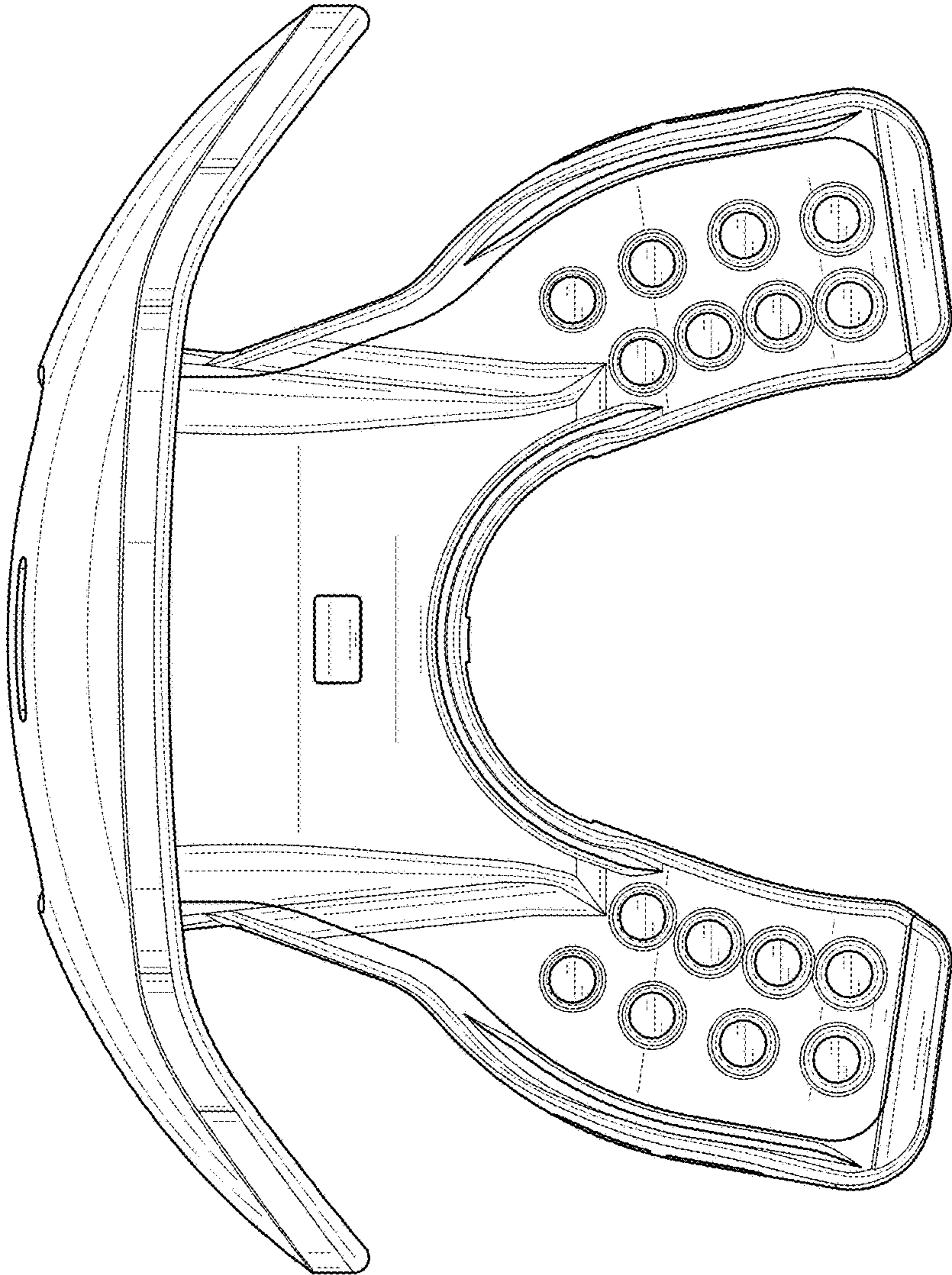


FIG. 7

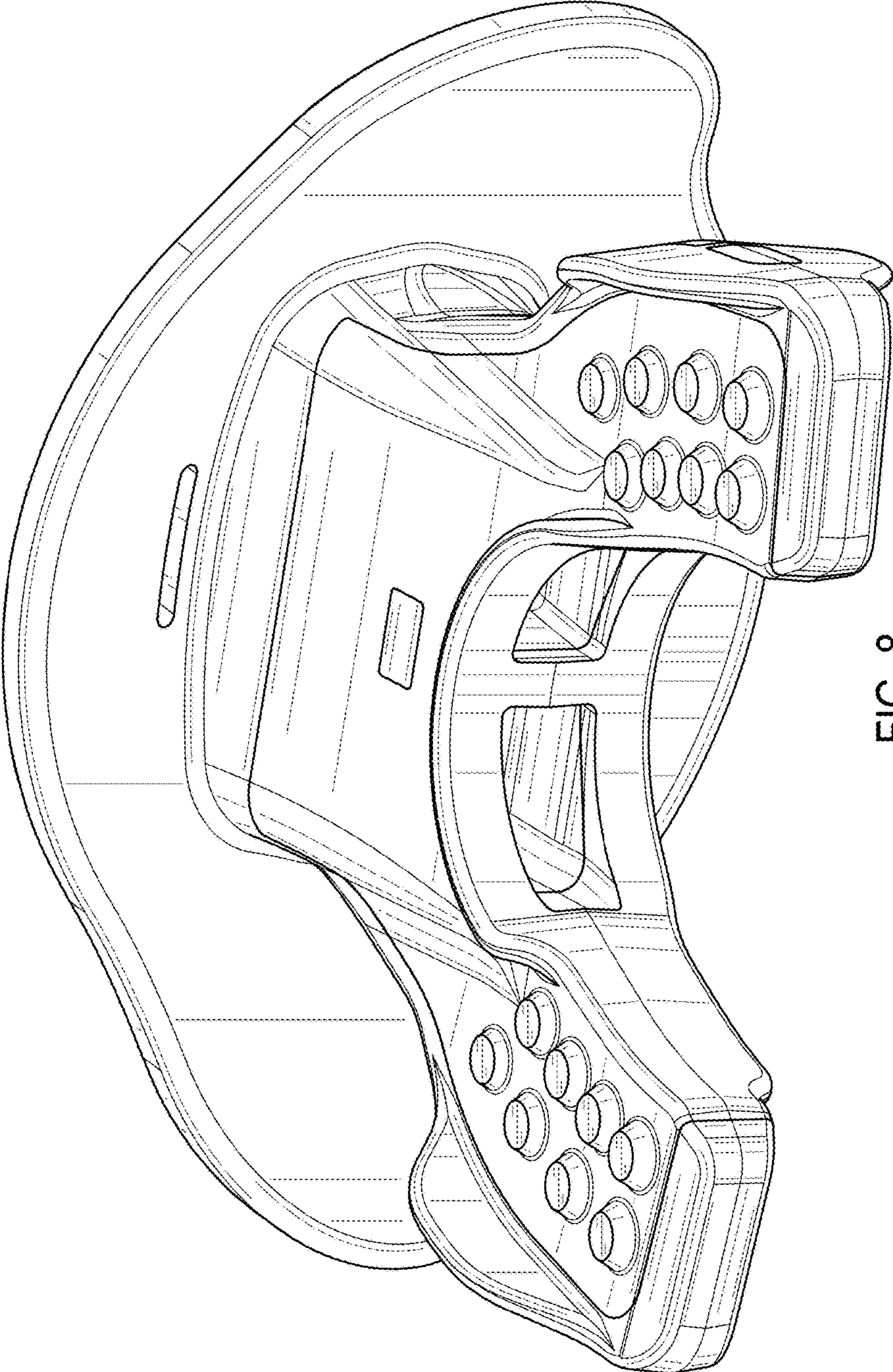


FIG. 8